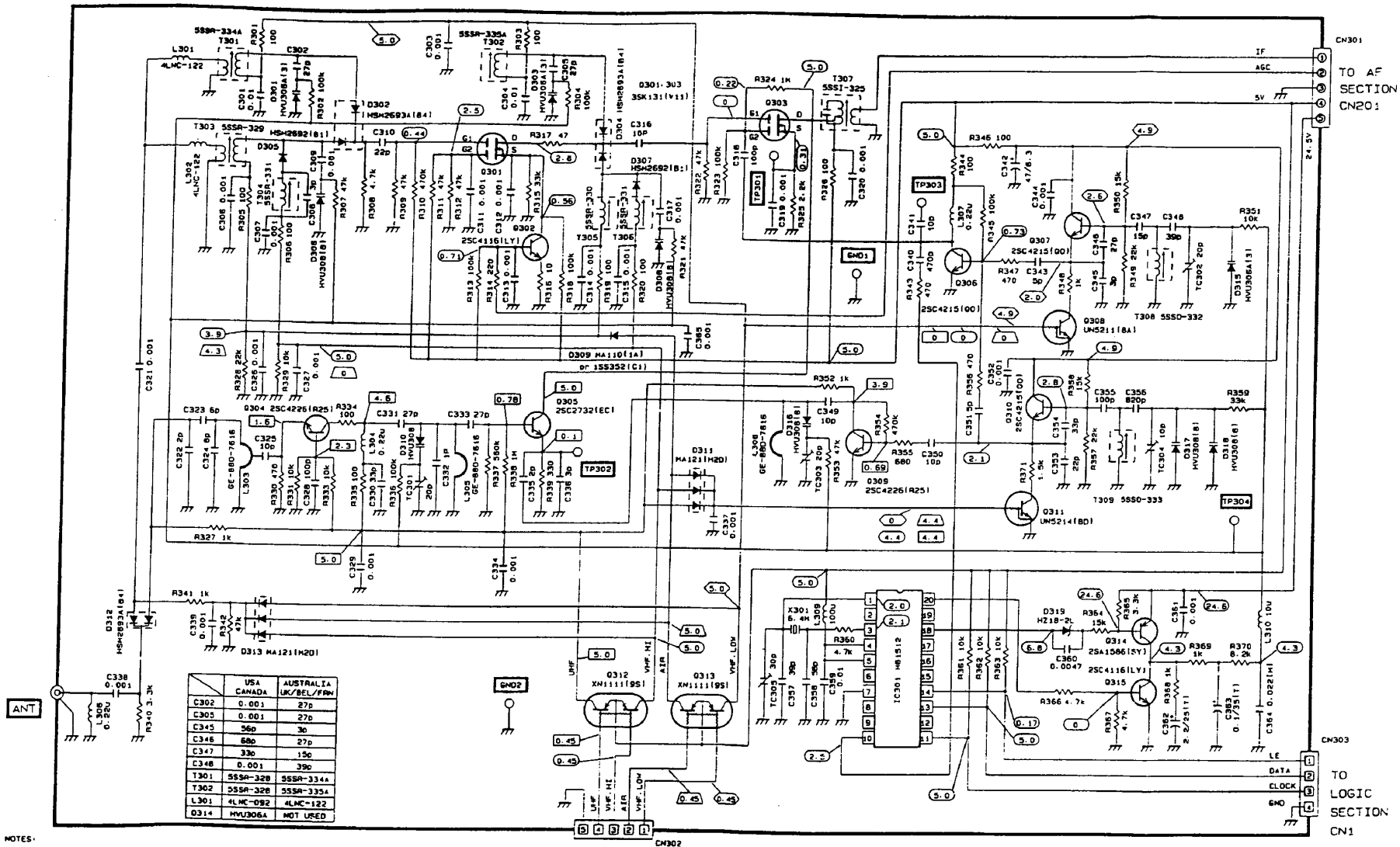
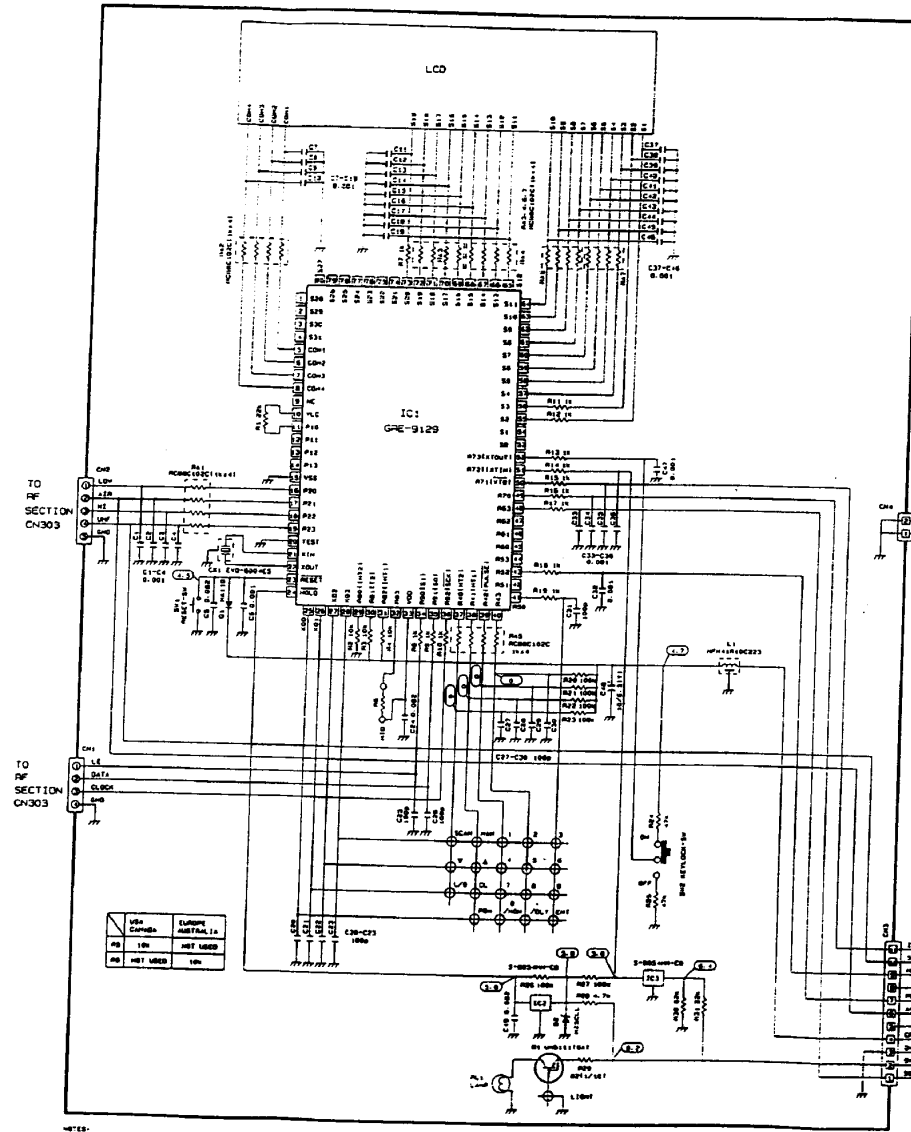


# SCHEMATIC DIAGRAMS

RF SECTION



- NOTES:
1. RESISTANCE VALUES IN OHMS (K-KILO OHM M-MEG OHM)
  2. CAPACITANCE VALUES IN UF (P-PICO FARAD)
  3. (T)-TANTALUM CAPACITOR
  4. (M)-MYLAR CAPACITOR
  5. NO SUFFIX = CERAMIC CAPACITOR
  6. THIS SYMBOL DENOTES DC VOLTAGE MEASURED WITH DC VOLTMETER (100KOHM/V) UNDER THE FOLLOWING CONDITIONS:  
ON 1 HIGH BAND AT 150MHZ. MANUAL OPERATION. VOLUME AT MINIMUM AND SQUELCH CCW
  7. THIS SYMBOL DENOTES DC VOLTAGE FOR LOW/MID BAND OPERATION
  8. THIS SYMBOL DENOTES DC VOLTAGE FOR AIRCRAFT BAND OPERATION
  9. THIS SYMBOL DENOTES DC VOLTAGE FOR UHF LOW/MID BAND OPERATION
  10. RATING OR TYPE NUMBER OF COMPONENT PARTS ARE SUBJECT TO CHANGE FOR IMPROVEMENT WITHOUT NOTICE



- NOTES:
1. RESISTANCE VALUES IN OHMS ARE SHOWN UNLESS OTHERWISE SPECIFIED.
  2. CAPACITANCE VALUES IN  $\mu$ F UNLESS OTHERWISE SPECIFIED.
  3. 741 - VOLTAGE COMPARATOR.
  4. 741 - BUFFER CAPACITOR.
  5. 100 - BUFFER CAPACITOR.
  6. THIS SYMBOL INDICATES DC VOLTAGE MEASURED WITH DC VOLTMETER (MINIMUM) UNDER FOLLOWING CONDITIONS:  
ON - POWER SUPPLY IS ON; NORMAL OPERATION; VOLUME AT MINIMUM; NO SIGNAL ON CD.
  7. THIS SYMBOL INDICATES DC VOLTAGE FOR +5VDC ONLY; MEASURED WITH DC VOLTMETER.
  8. PARTS OR THE NUMBER OF COMPONENT PARTS ARE SUBJECT TO CHANGE FROM SUPPLEMENT WITHOUT NOTICE.

