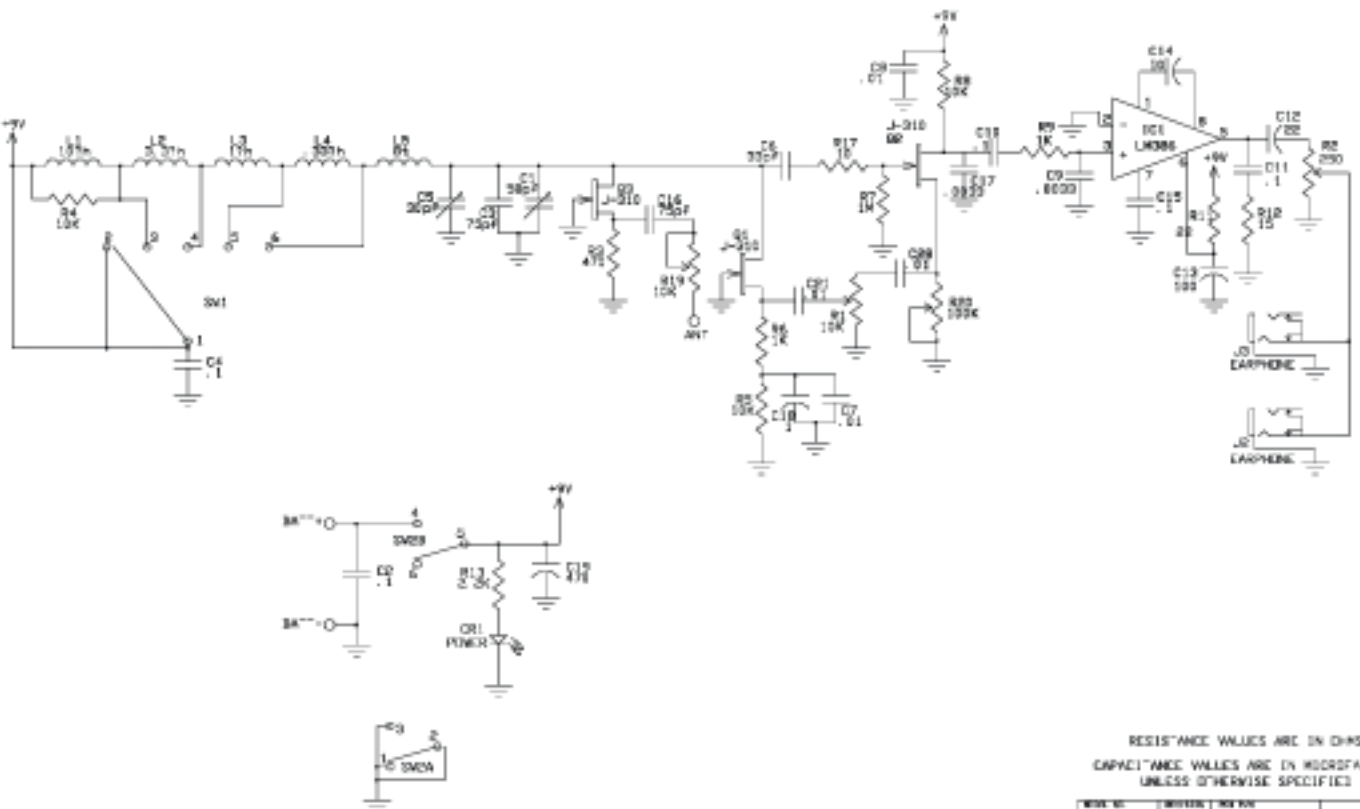


## Schematic Diagram



DATE: MFJ-8100	REVISED: 1/7/92	DESIGN: M0100_2	SHEET 1 of 1
REGENERATIVE SHORTWAVE RECEIVER			
BY: J. HANEY	DATE: 1/7/92	MFJ ENTERPRISES, INC. 283 INDUSTRIAL PARK RD STARBUCK, MS 39759	