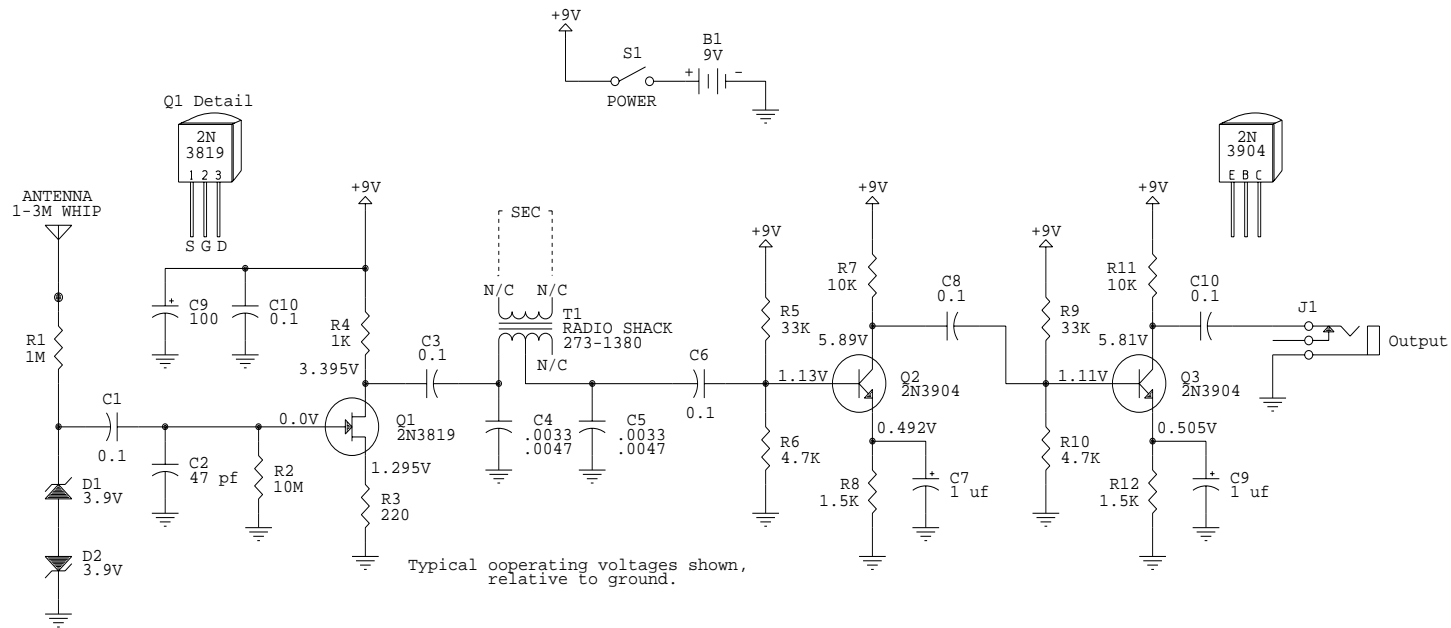


# McGreevy VLF Radio Receiver

RX Frequency Range: 100 Hz - 11 kHz



This version sports a 2nd audio amplifier stage at Q3. The output level with this version is sufficient to drive a crystal headphone to a comfortable volume.

The "crystal" headphone is like those used on ye olde crystal radios. A "Walkman" type headphone is NOT the same thing! Check out Mouser #25CR060. Or use as input to your amplifier.

D1/D2 Optional - protects Q1 from nearby lightning

Schematic From: [www.auroralchorus.com/bbb4b.htm](http://www.auroralchorus.com/bbb4b.htm)  
C4/C5 values: See text on above web reference

See also: [www.auroralchorus.com](http://www.auroralchorus.com) home page  
See also: [www-pw.physics.uiowa.edu/mcgreevy/](http://www-pw.physics.uiowa.edu/mcgreevy/)

NOTE: Output is microphone level audio.

T1 is a Radio Shack 1K CT primary to 8 ohm secondary  
Only 1/2 of primary is used. Secondary is not used.  
Rat Shack part number is 273-1380

## VLF RECEIVER

Size	Document Number	VLFRX.SCH	REV
B	Documented by Tom Farrand		0
Date:	July 29, 2002	Sheet	1 of 1