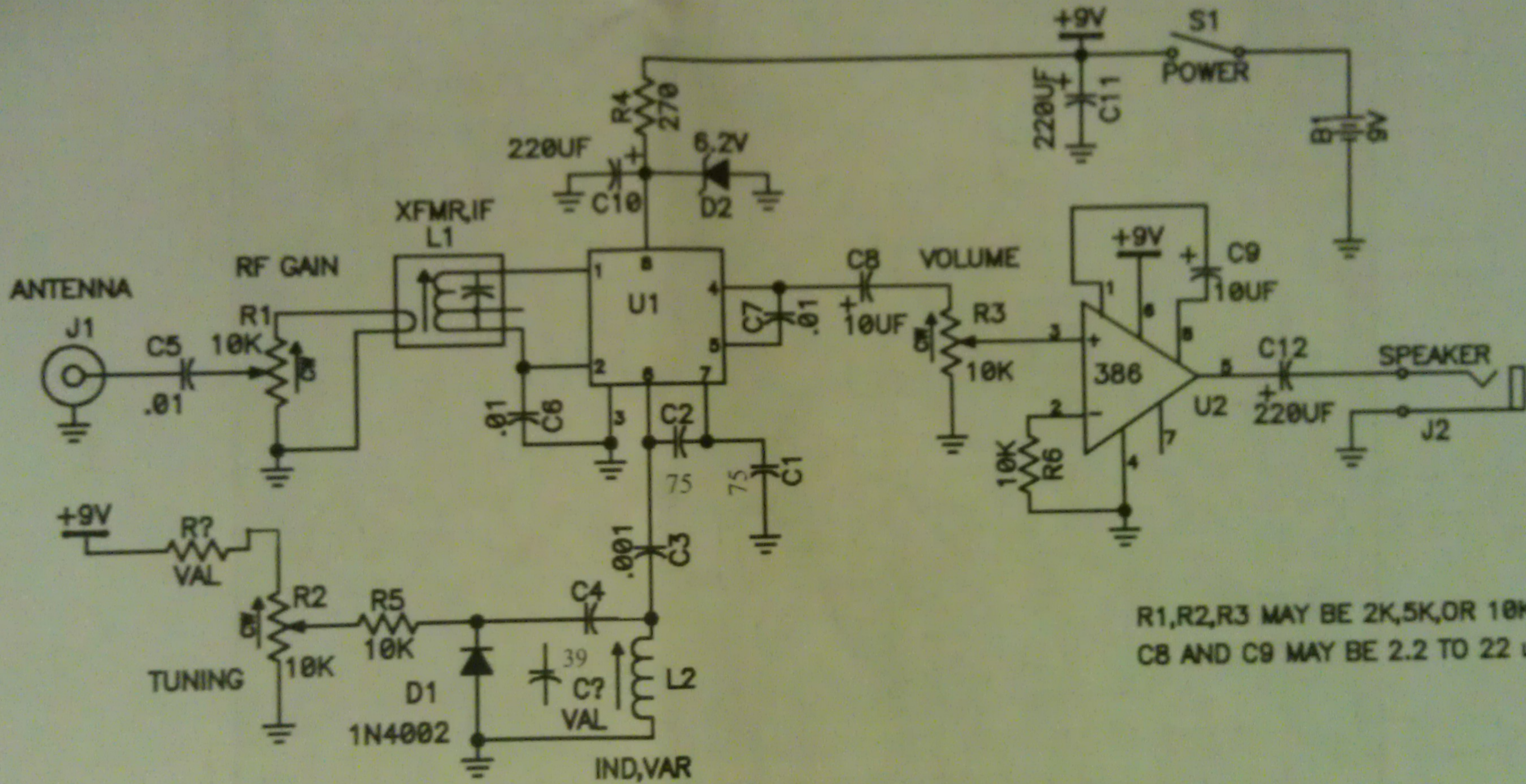


Downloaded by
RadioAmateur.EU

R1,R2,R3 MAY BE 2K,5K,OR 10K
C8 AND C9 MAY BE 2.2 TO 22 uF



R1, R2, R3 MAY BE 2K, 5K, OR 10K
 C8 AND C9 MAY BE 2.2 TO 22 uF

SCHEMATIC DIAGRAM:

PARTS SUPPLIED WITH THE HR40 KIT:

CAPACITORS:

- 1 .001 μ F disc capacitor [marked 102, .001 or 1nF] (C3)
- 1 39pF disc capacitor [marked 39] (C4)
- 2 75pF disc capacitor [marked 75] (C1,C2)
- 3 .01 μ F disc capacitor [marked 103, .01 or 10nF] (C5,C6,C7)
- 2 4.7 to 10 μ F electrolytic capacitor (C8,C9)
- 3 100-220 μ F electrolytic capacitor (C10,C11,C12)

RESISTORS:

- 3 10K ohm potentiometers (R1,R2,R3)
- 1 270 ohm resistor [red-violet-brown] (R4)
- 2 10K resistors [brown-black orange] (R5,R6)

INDUCTORS:

- 1 Shielded Coil [K6883] (L2)
- 1 Antenna input transformer [marked 421F-123] (L1)

SEMICONDUCTORS:

- 1 1N4002 Diode [black epoxy style] (D1)
- 1 SA602 IC (U1)
- 1 LM386 IC (U2)
- 1 6.2 volt Zener Diode [small glass body] (D2)

HARDWARE AND MISC:

- 1 Drilled printed-circuit board
- 1 9-volt battery hold-down bracket
- 1 9-volt battery connector
- 1 RCA-style jack [antenna connector] (J1)
- 1 subminiature earphone jack (J2)
- 1 PC mount pushbutton switch (S1)

REQUIRED, NOT SUPPLIED:

- 9-volt battery (alkaline or heavy duty type)
- Earphone, or small speaker
- Antenna and suitable cable

OPTIONAL:

- Ramsey Electronics Case and Knob Kit, Model CHR or;
- Your own choice of enclosure and hardware