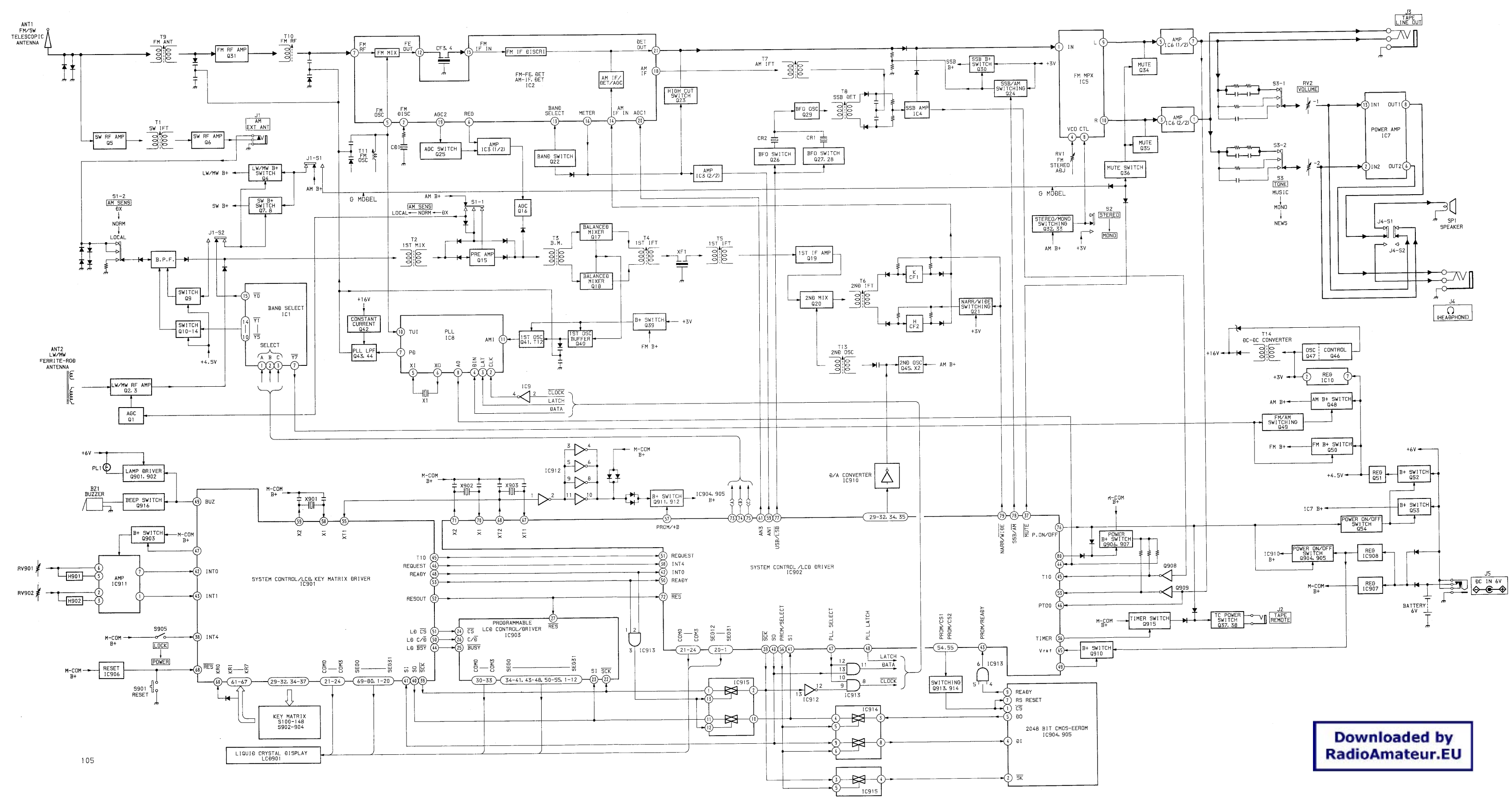


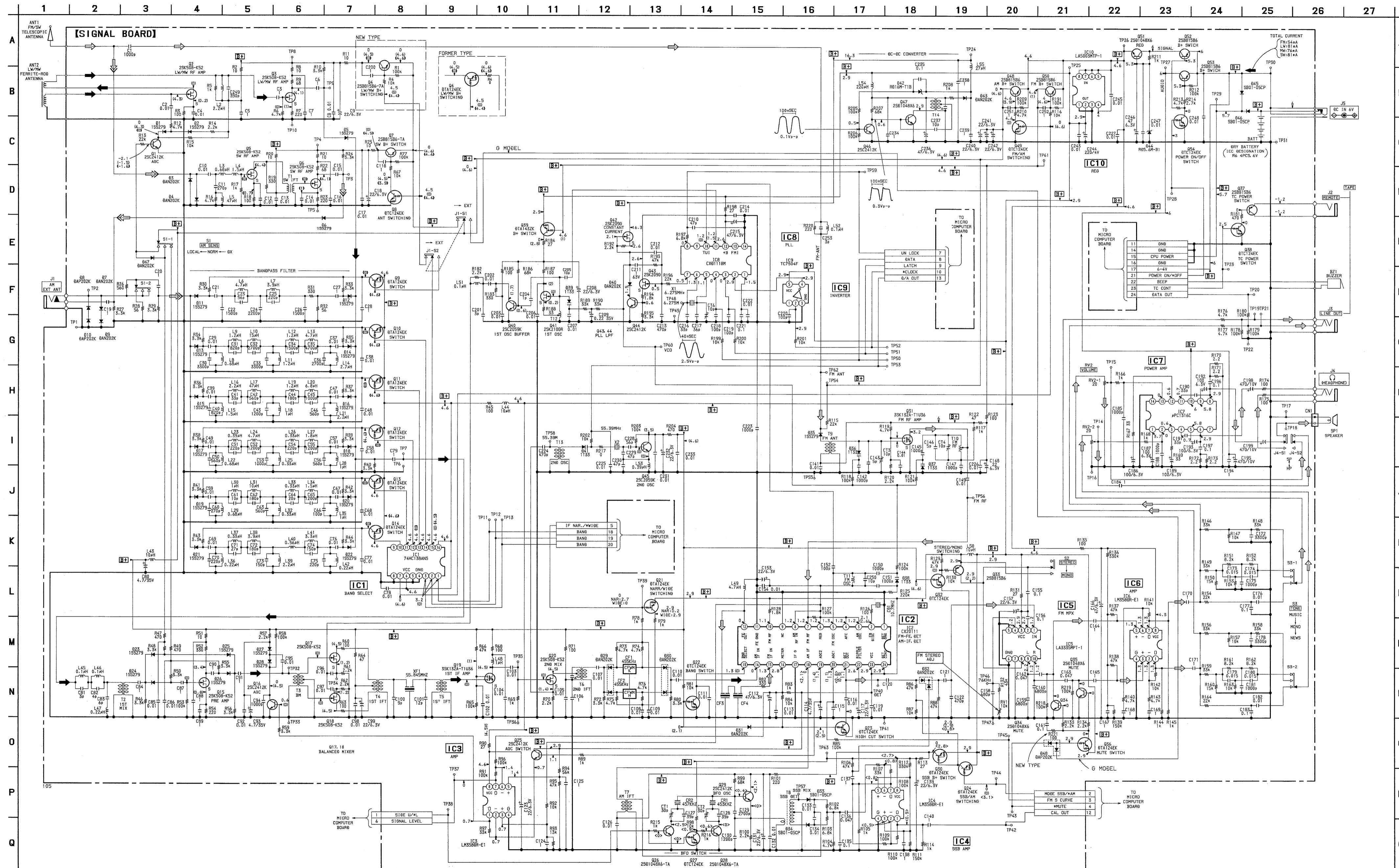
SECTION 5  
DIAGRAMS

5-1. BLOCK DIAGRAM G:Germany

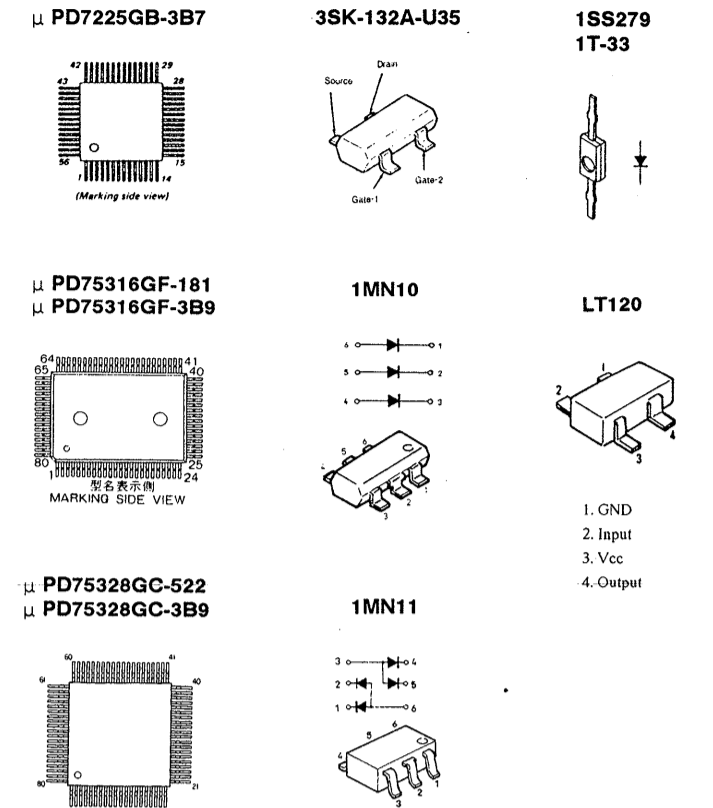


105

Downloaded by  
RadioAmateur.EU



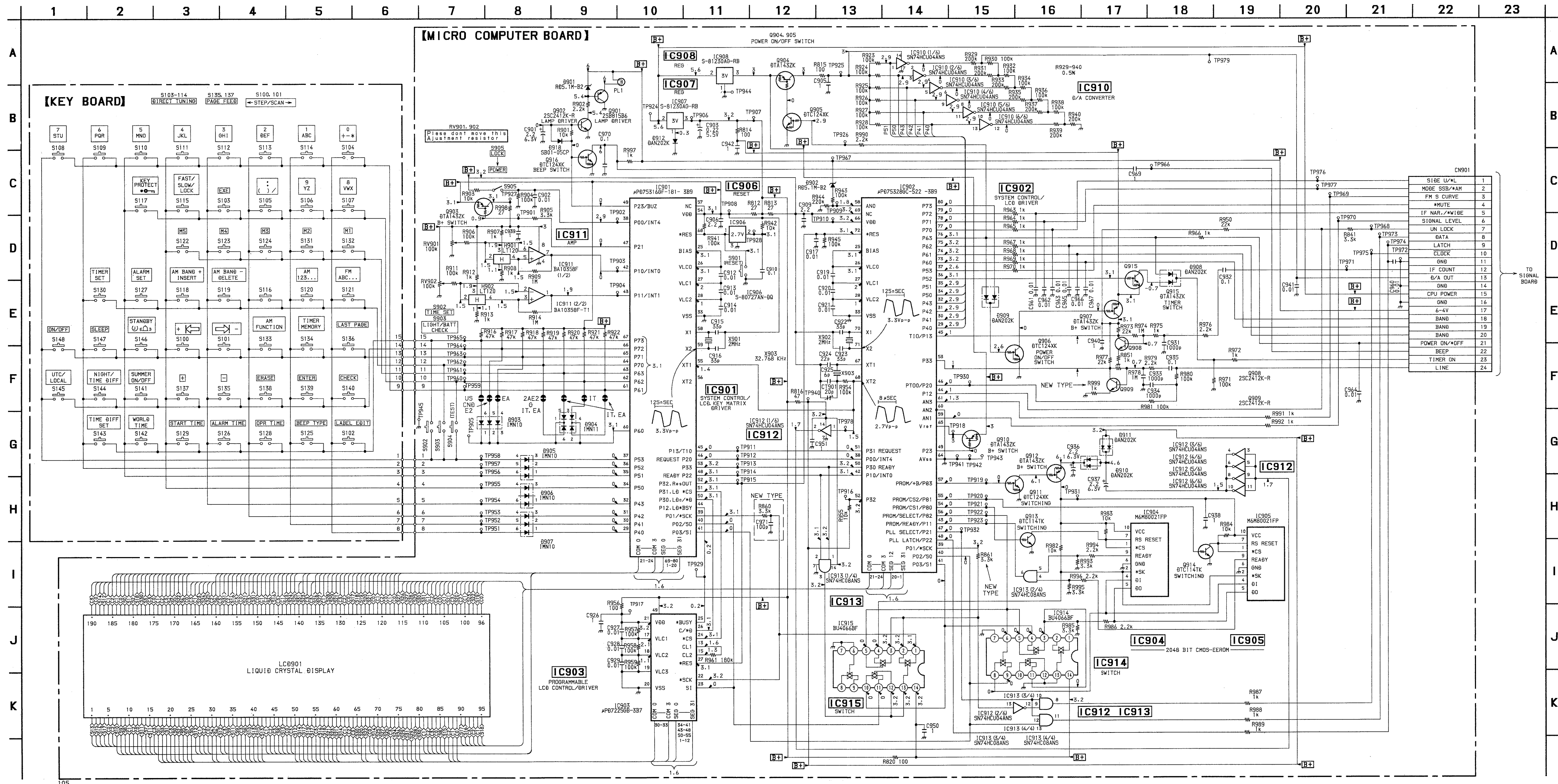
•Semiconductor lead Layout



- Note:
- All capacitors are in  $\mu\text{F}$  unless otherwise noted.  $\text{pF} = \mu\text{F} \times 10^{-6}$  50WV or less are not indicated except for electrolytics and tantalums.
  - All resistors are in  $\Omega$  and  $1/4\text{W}$  or less unless otherwise specified.
  - $\Delta$  : internal component.
  - $B+$  : B+ Line
  - $\square$  : adjustment for repair.
  - Total current is measured with no cassette installed.
  - Power voltage is dc 6V and fed with regulated dc power supply from external power voltage jack.
  - Voltage and waveforms are dc with respect to ground under detuned conditions.
  - no mark : FM
  - ( ) : LW/MW
  - ( ) : SW
  - Voltagess are taken with a VOM (Input impedance  $10\text{M}\Omega$ ). Voltage variations may be noted due to normal production tolerances.
  - Waveforms are taken with an oscilloscope. Voltage variations may be noted due to normal production tolerances.
  - Signal path.
  - $\rightarrow$  : FM
  - $\rightarrow$  : LW/MW
  - $\rightarrow$  : SW
  - G : Germany

Downloaded by RadioAmateur.EU

Downloaded by  
RadioAmateur.EU



- All capacitors are in  $\mu F$  unless otherwise noted. pF:  $\mu F$  50WV or less are not indicated except for electrolytics and tantalums.
- All resistors are in  $\Omega$  and  $1/4W$  or less unless otherwise specified.
- % : indicates tolerance.
- [B+] : B+ Line
- Power voltage is dc 6V and fed with regulated dc power supply from external power voltage jack.
- Voltage and waveforms are dc with respect to ground under detuned conditions.
- no mark : FM
- Volatges are taken with a VOM (Input impedance 10M  $\Omega$ ).
- Voltage variations may be noted due to normal production tolerances.
- Waveforms are taken with an oscilloscope.
- Voltage variations may be noted due to normal production tolerances.

CND :Canadian  
IT :Italian  
G :Germany  
EA :Saudi Arabia

1AE2, 2AE2: This shows the differences of the FM/SW frequency bands.