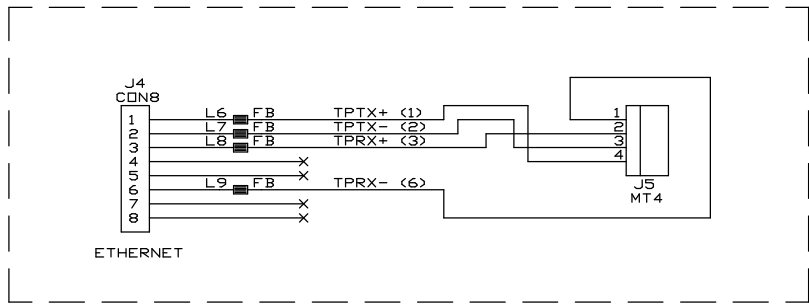
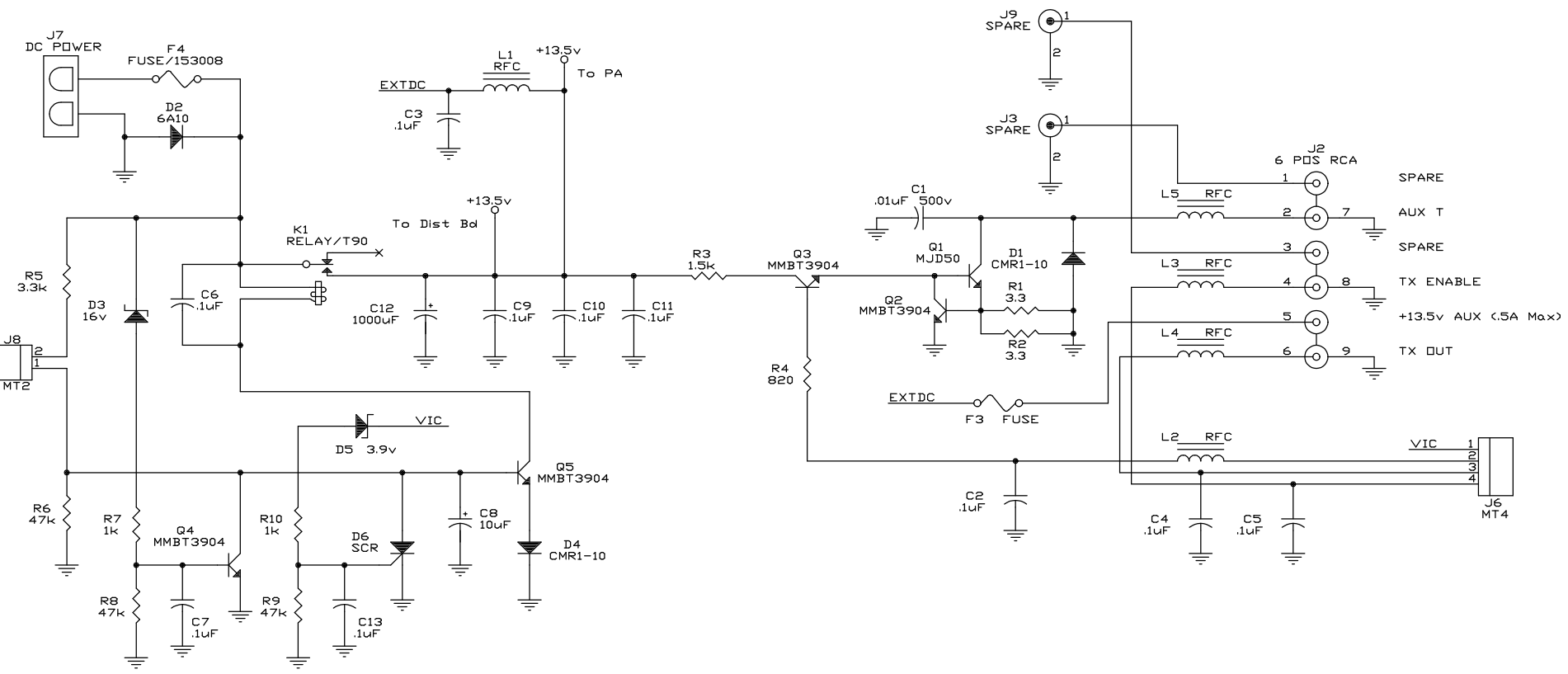


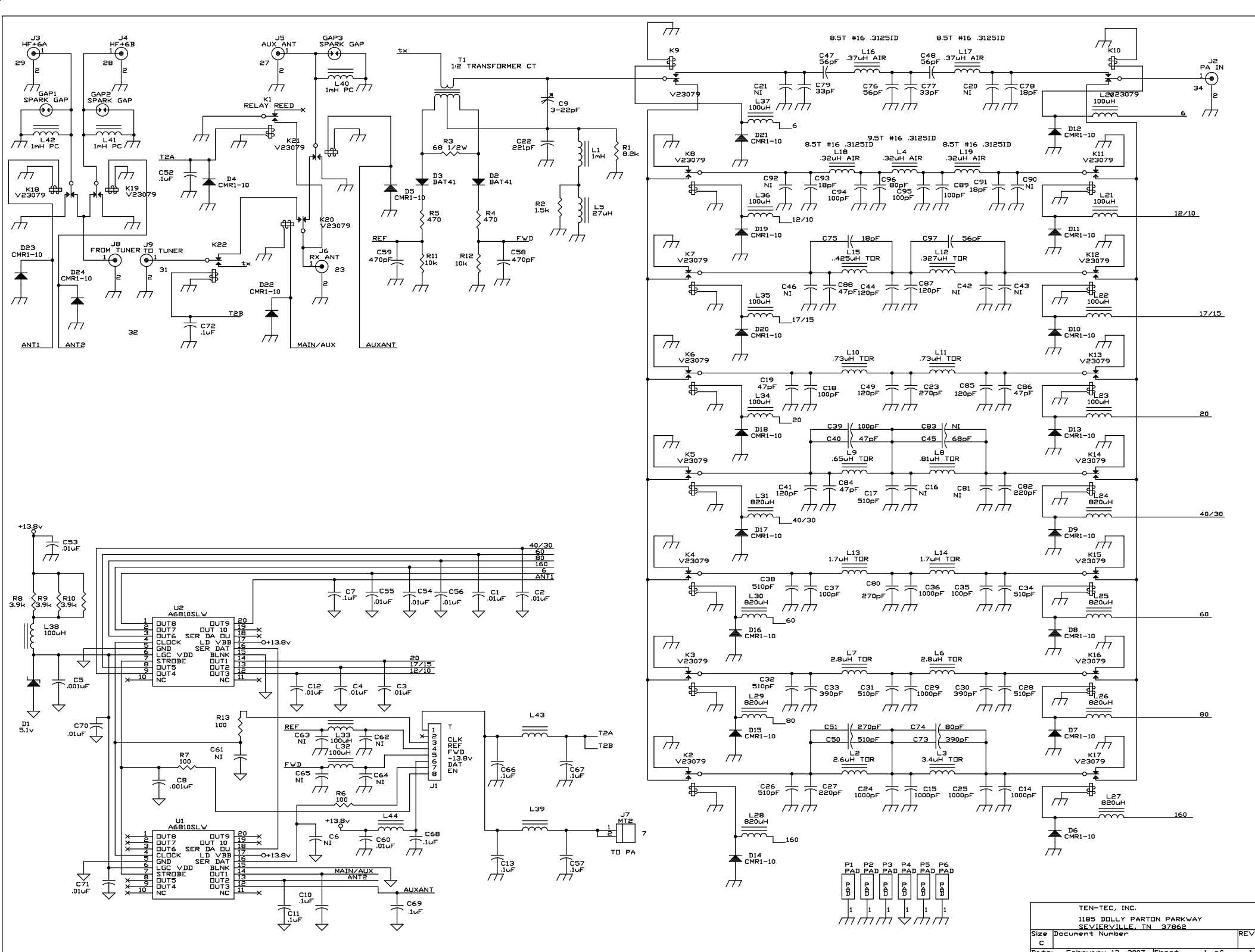
C408 & R391 are 0603 size parts
 R391 will be placed between one pad of C408 and the other for 2.5v @ 69.545 mhz
 Base pad of Q37

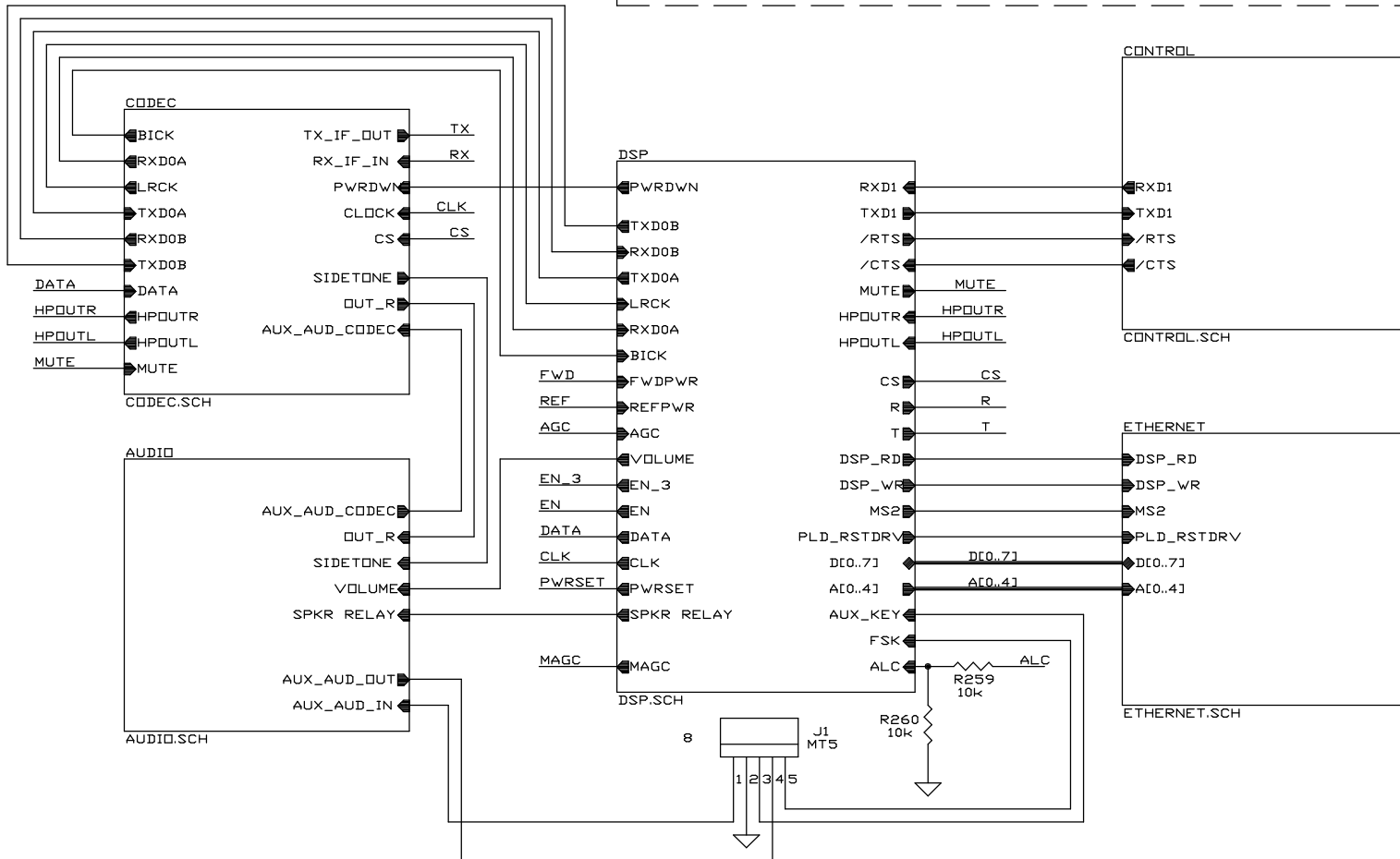
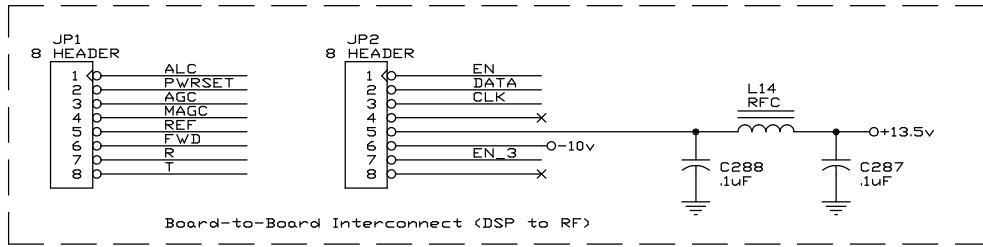
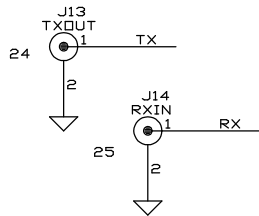
11-12-04

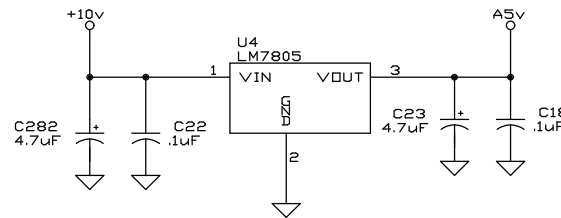
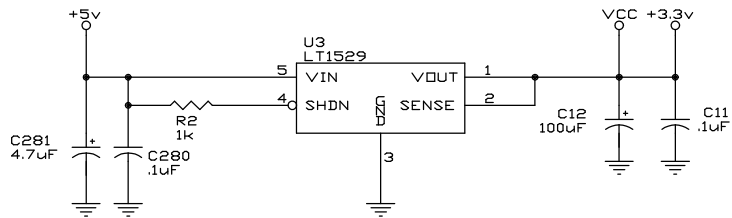
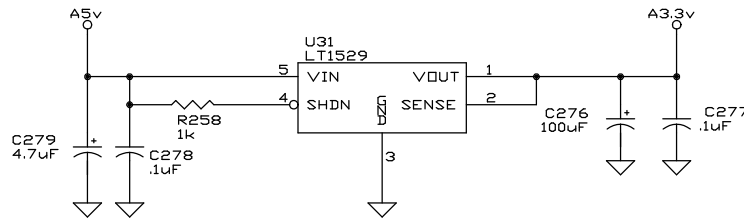
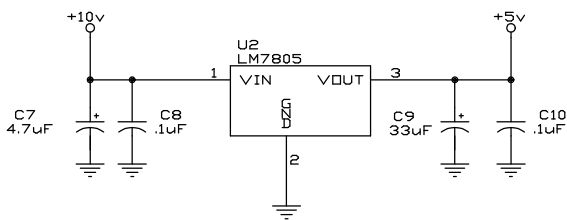
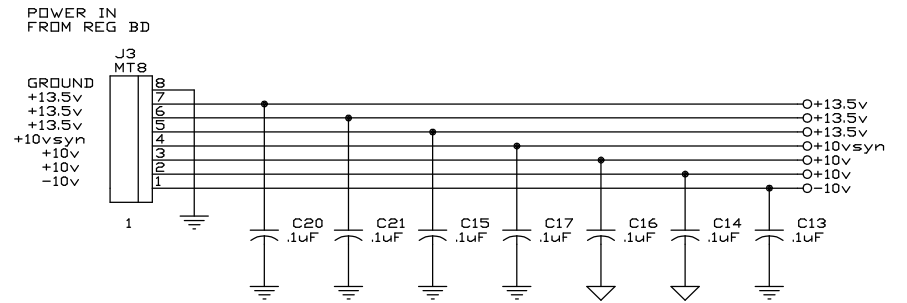
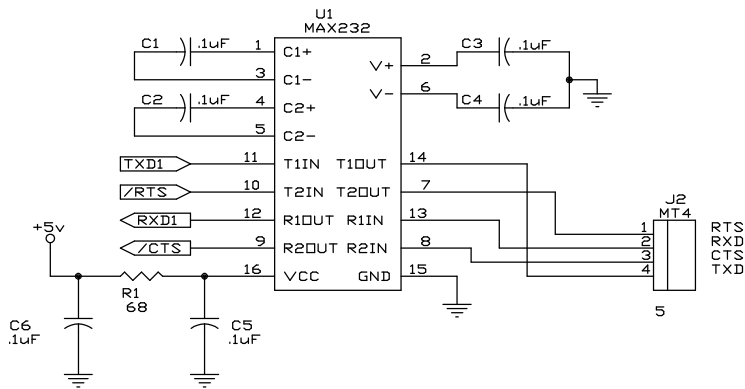
sog.050/07nt.244x225

Title			59BSYN_mmc_REV
Size			Document Number
Date			October 12, 2006 Sheet 1 of 1
Ten-Tec Inc. 1185 Dolly Parton Parkway Sevierville, TN 37862			REV A

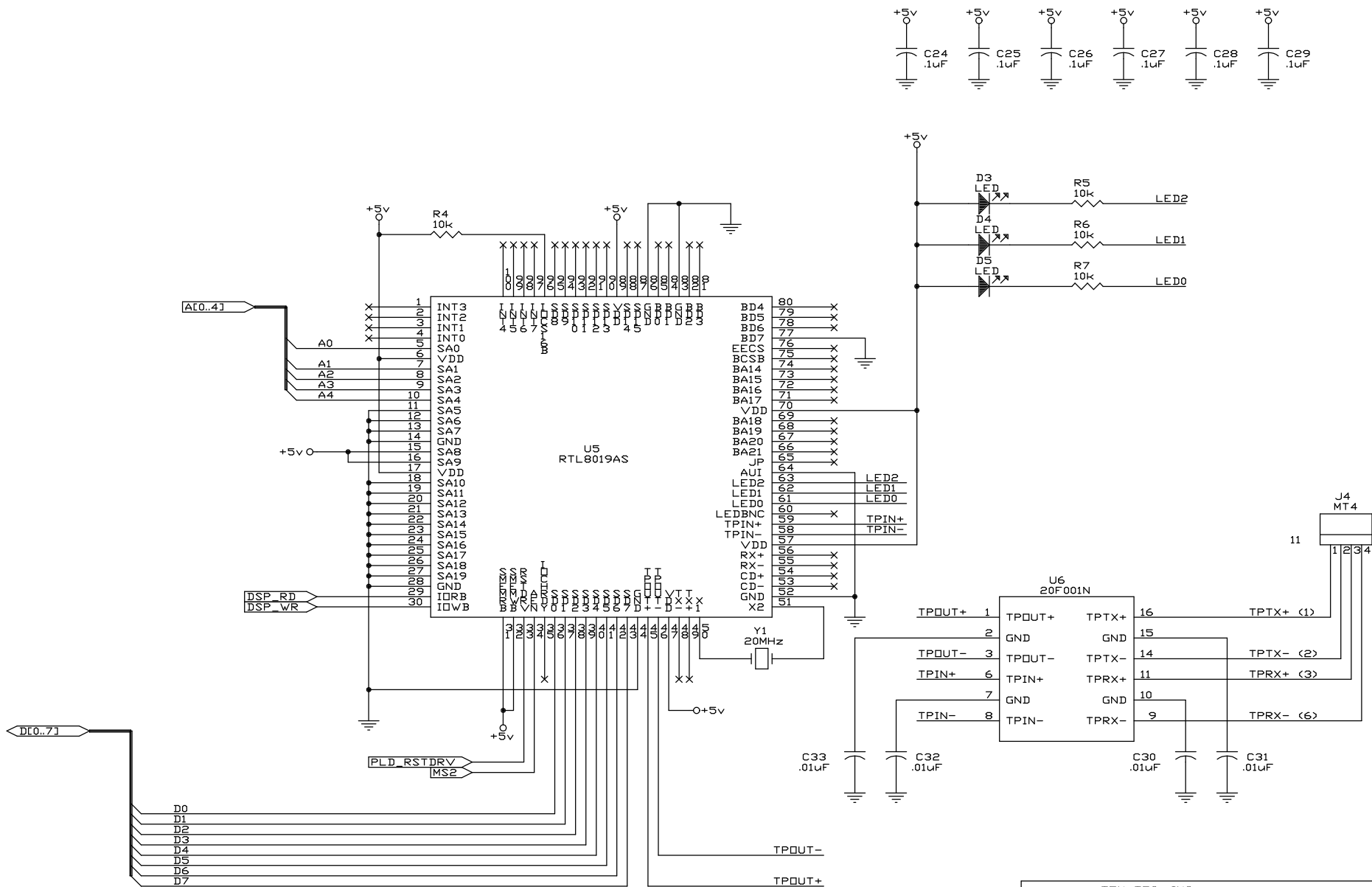


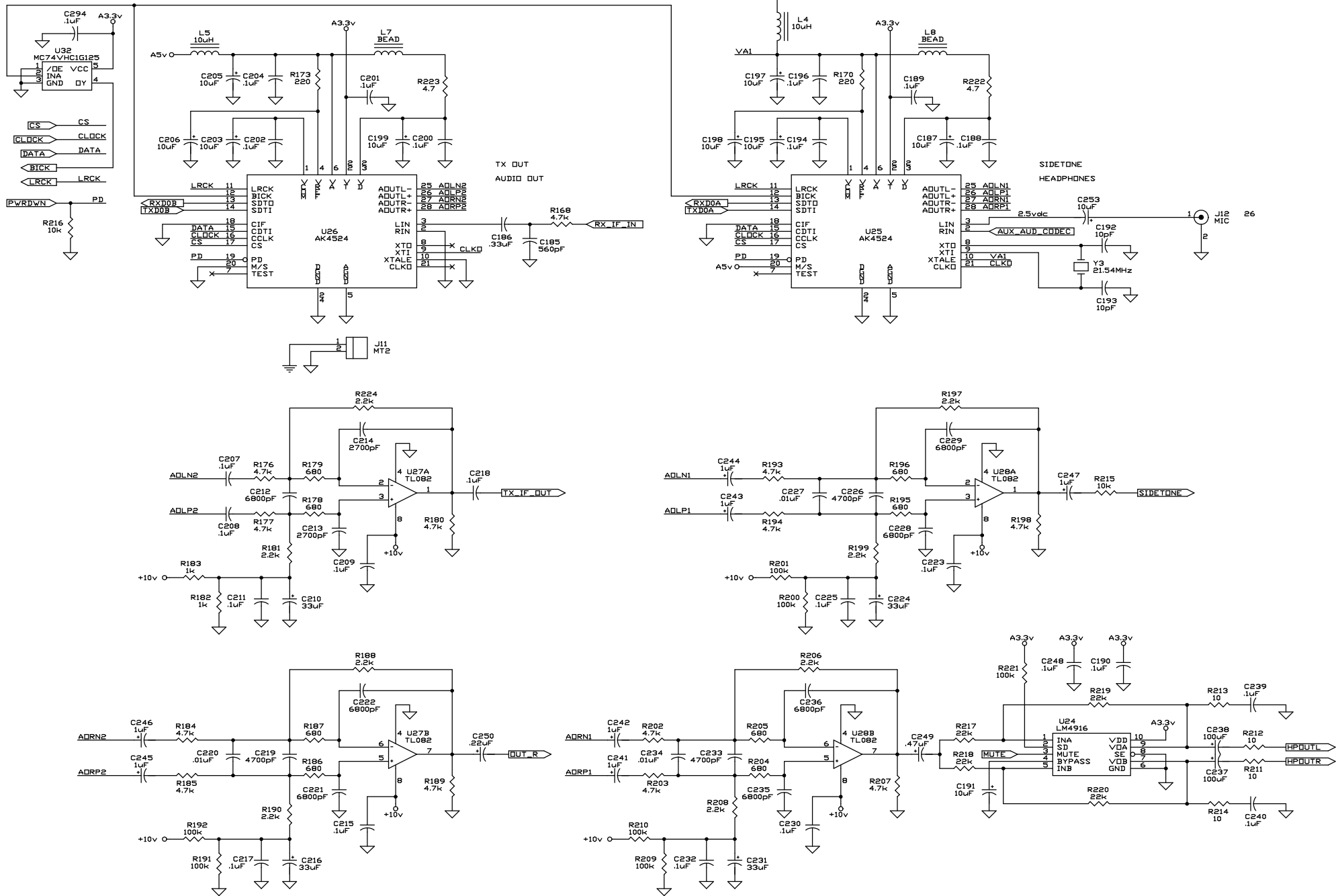


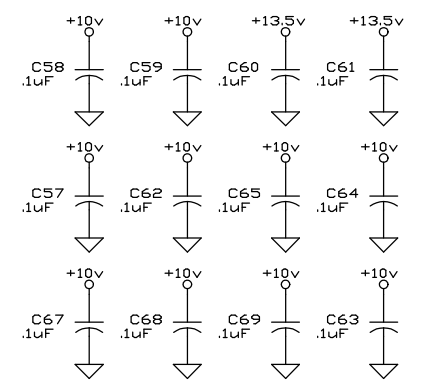
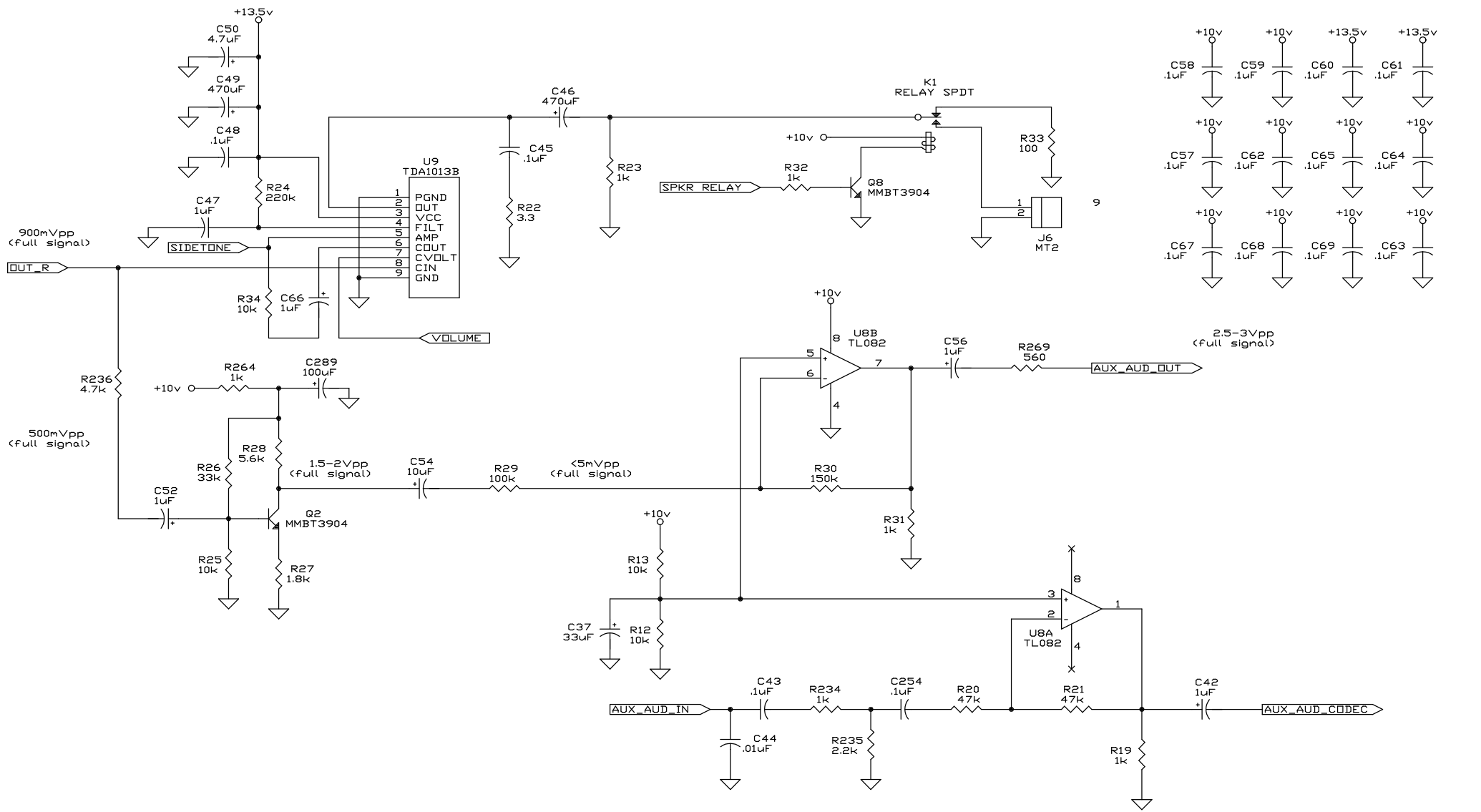




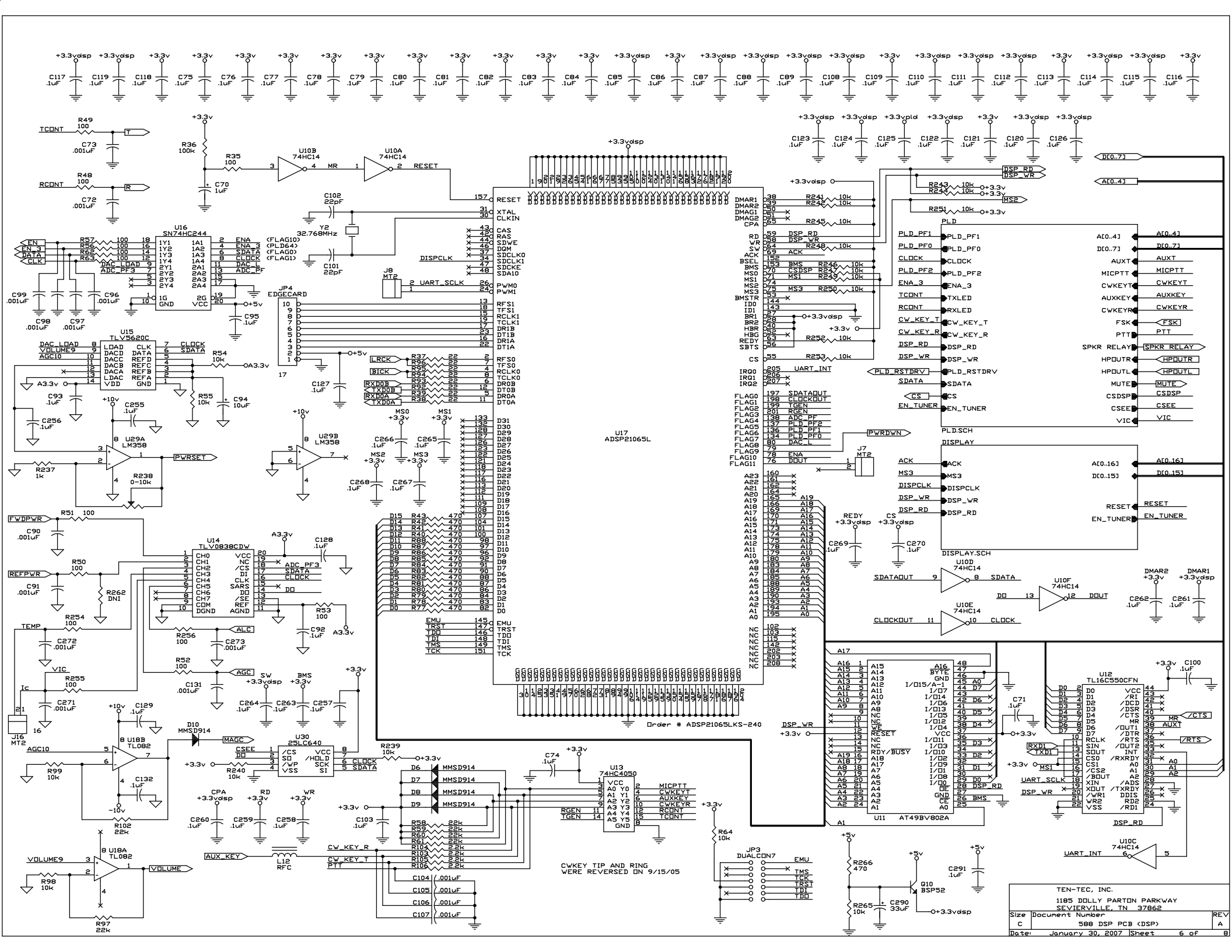
TEN-TEC, INC.		
1185 DOLLY PARTON PARKWAY		
SEVIERVILLE, TN 37862		
Size	Document Number	REV
B	Model 588 DSP PCB (CONTROL)	A
Date:	November 10, 2005	Sheet 2 of 8

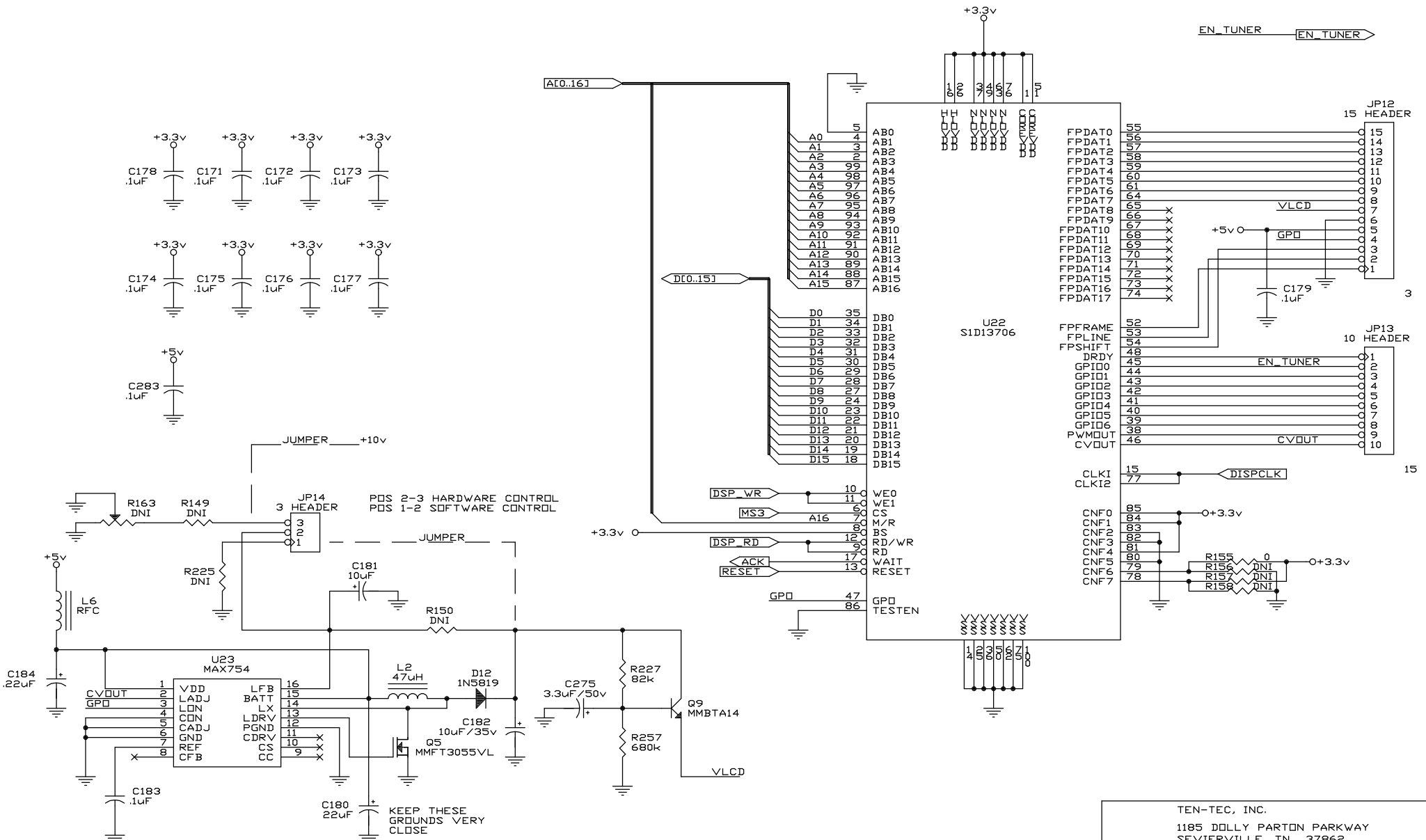


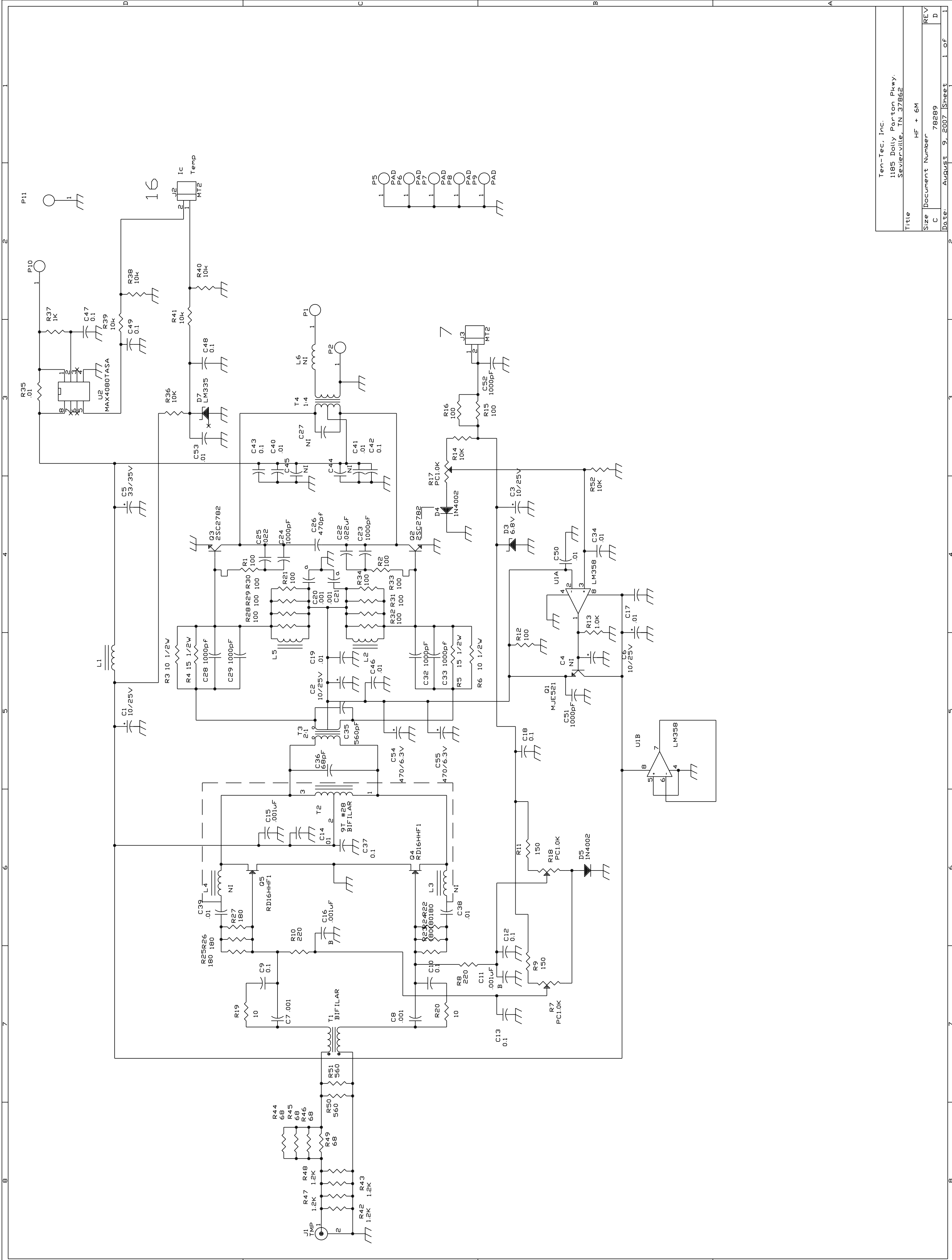




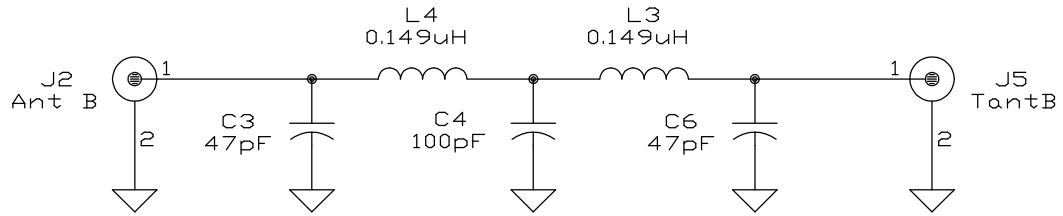
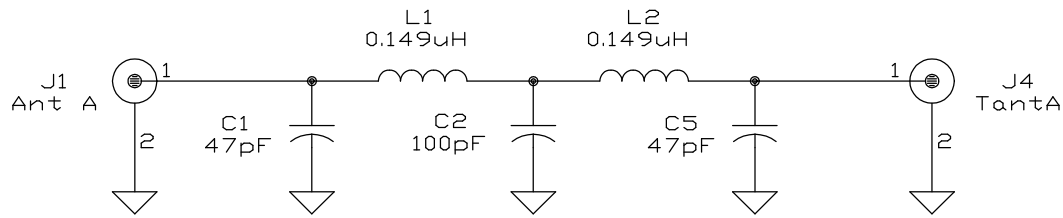
TEN-TEC, INC.		
1185 DOLLY PARTON PARKWAY		
SEVIERVILLE, TN 37862		
Size	Document Number	REV
B	Model 588 DSP PCB (AUDI0)	A
Date:	February 2, 2007	Sheet 5 of 8







Ten-Tec, Inc.	
1185 Dolly Parton Pkwy.	
Sevierville, TN 37862	
Title	HF + 6M
Size	Document Number 78289
REV	D
Date:	August 9, 2007 Sheet 1 of 1

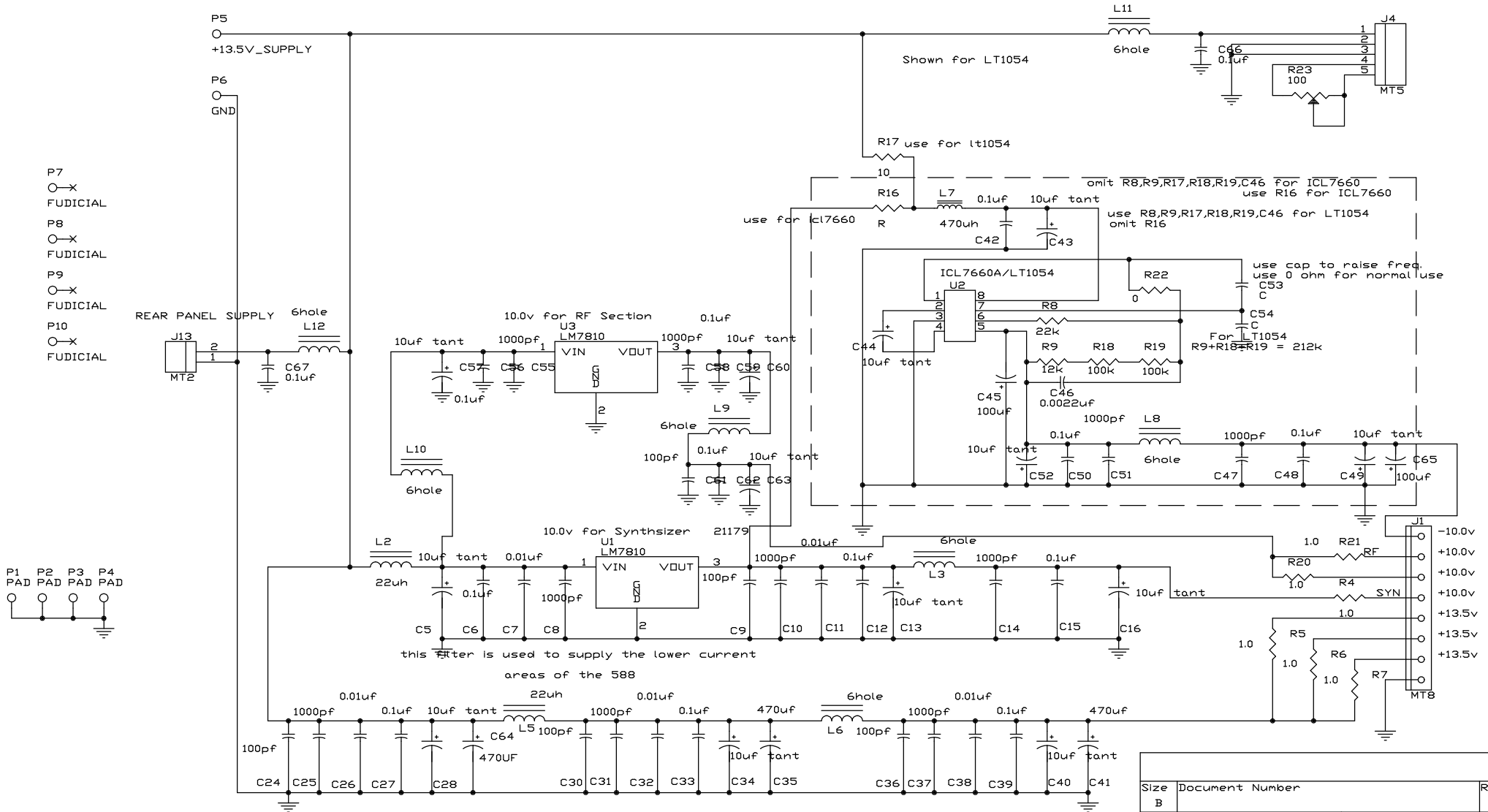


Size	Document Number	REV
A		
Date:	January 2, 2007	Sheet 1 of 1

LT1054 R8 = 22K
 R9+R18+R19= 212K
 R17= 10
 C46= 0.0022uf

ICL7660A R8,R9,R17,R18,R19,C46 = N.I.
 R16= 10

CCFL

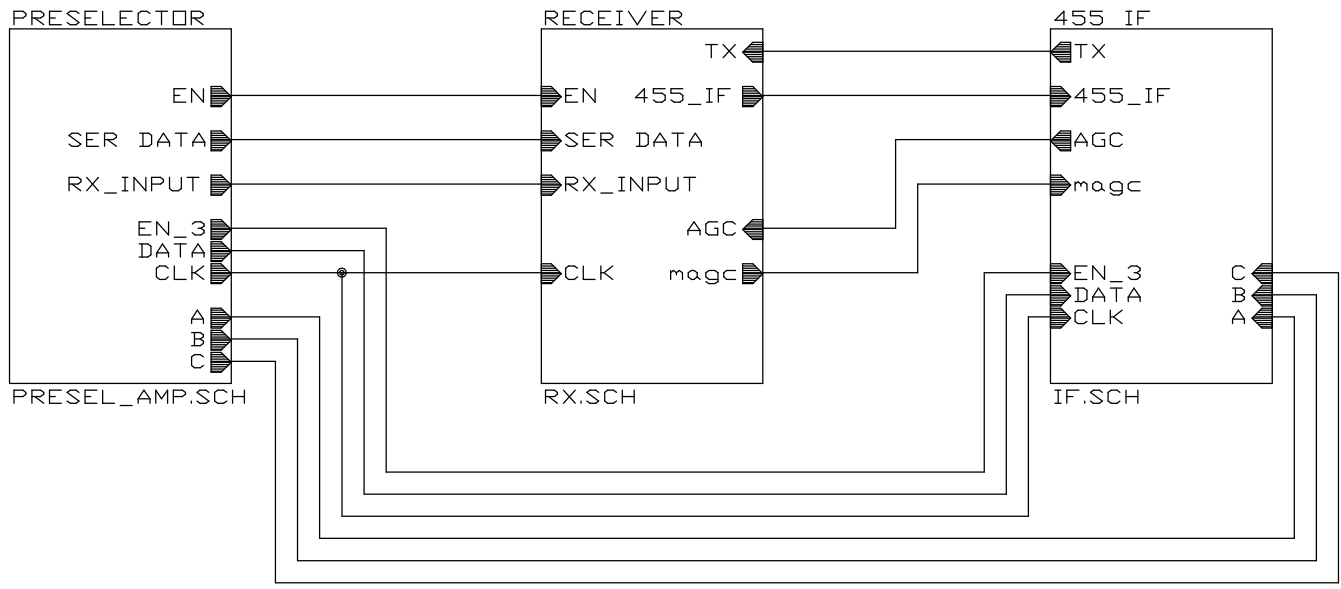


- P7 ○→X FUDICIAL
- P8 ○→X FUDICIAL
- P9 ○→X FUDICIAL
- P10 ○→X FUDICIAL

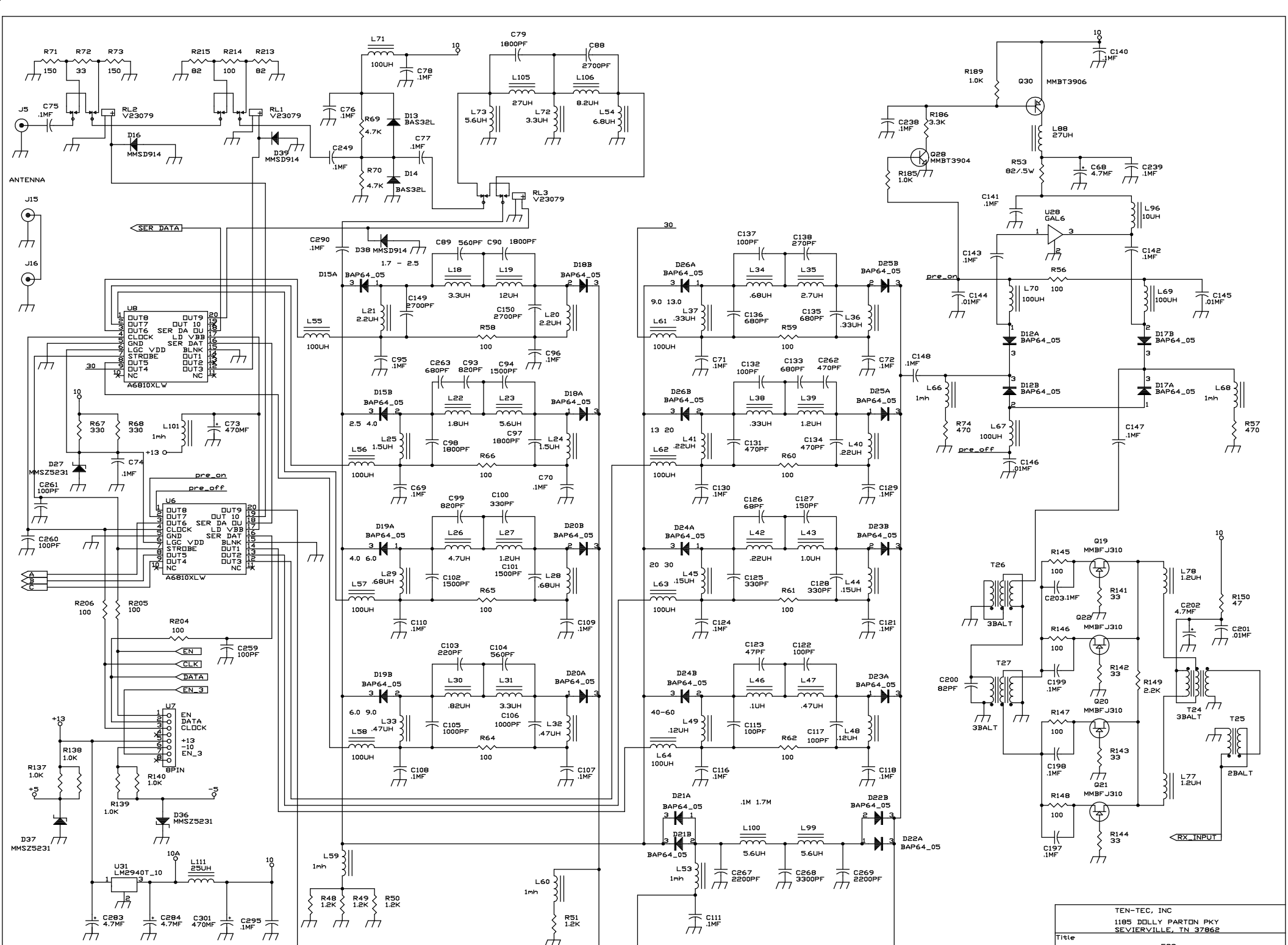
- P11 ○→X FUDICIAL

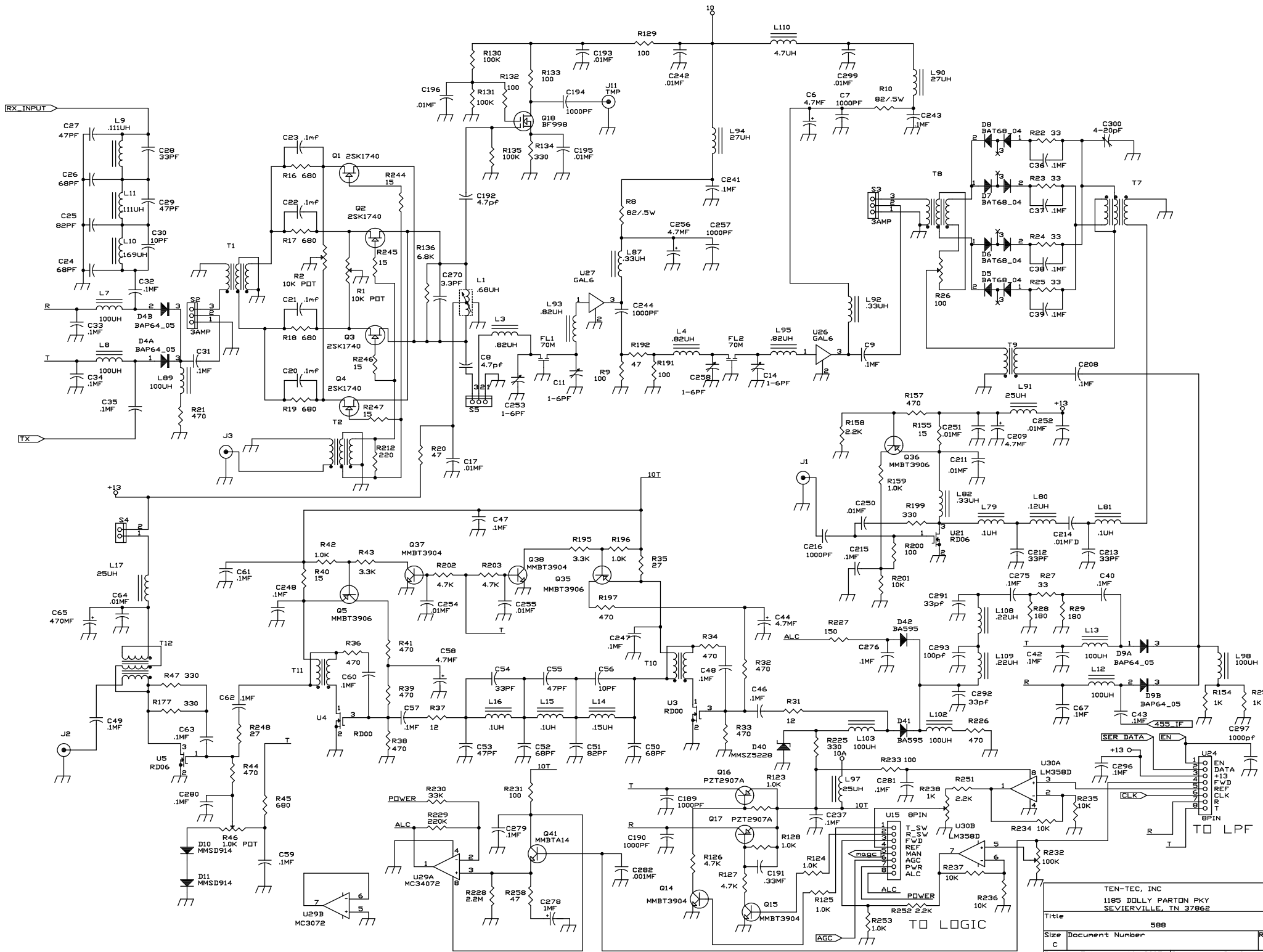
this filter is used to supply the lower current areas of the 588

Size	Document Number	REV
B		
Date:	August 7, 2006	Sheet 1 of 1

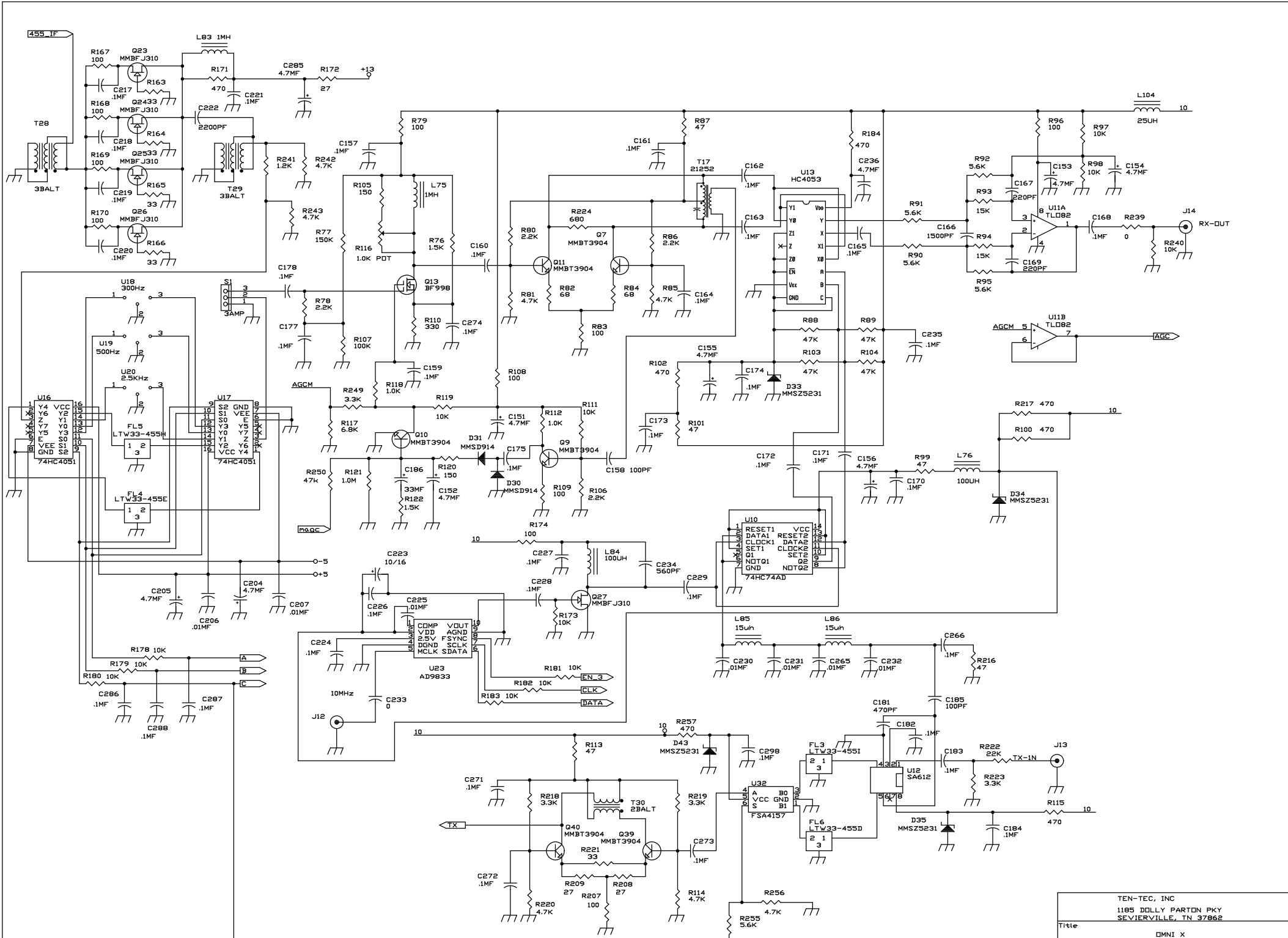


TEN-TEC, INC		
1185 DOLLY PARTON PKY		
SEVIERVILLE, TN 37862		
Title		
588		
Size	Document Number	REV
A		H
Date:	July 6, 2006	Sheet 1 of 4

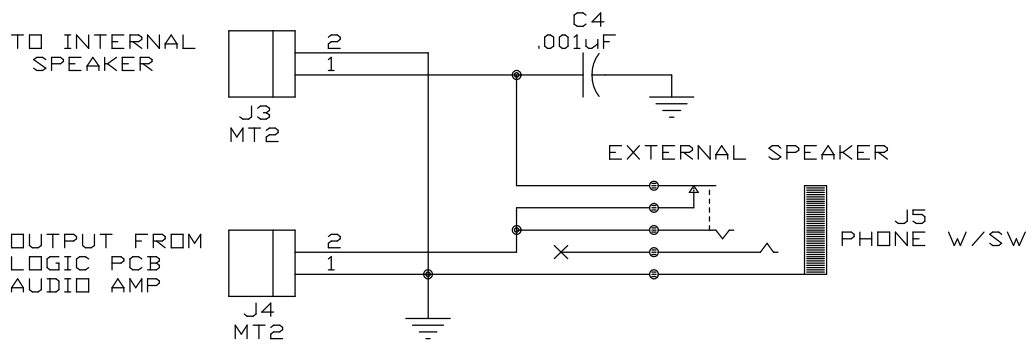
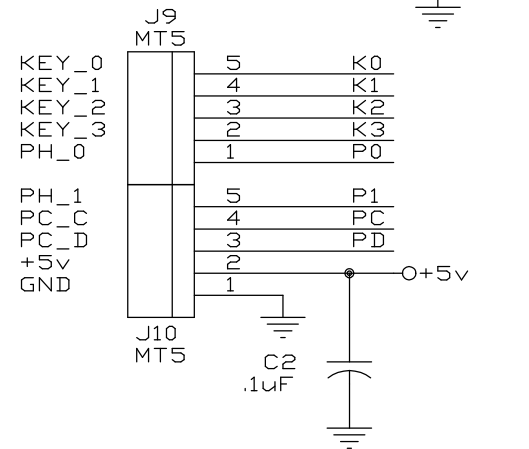
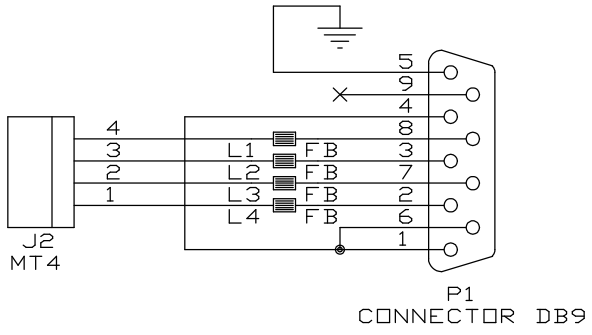
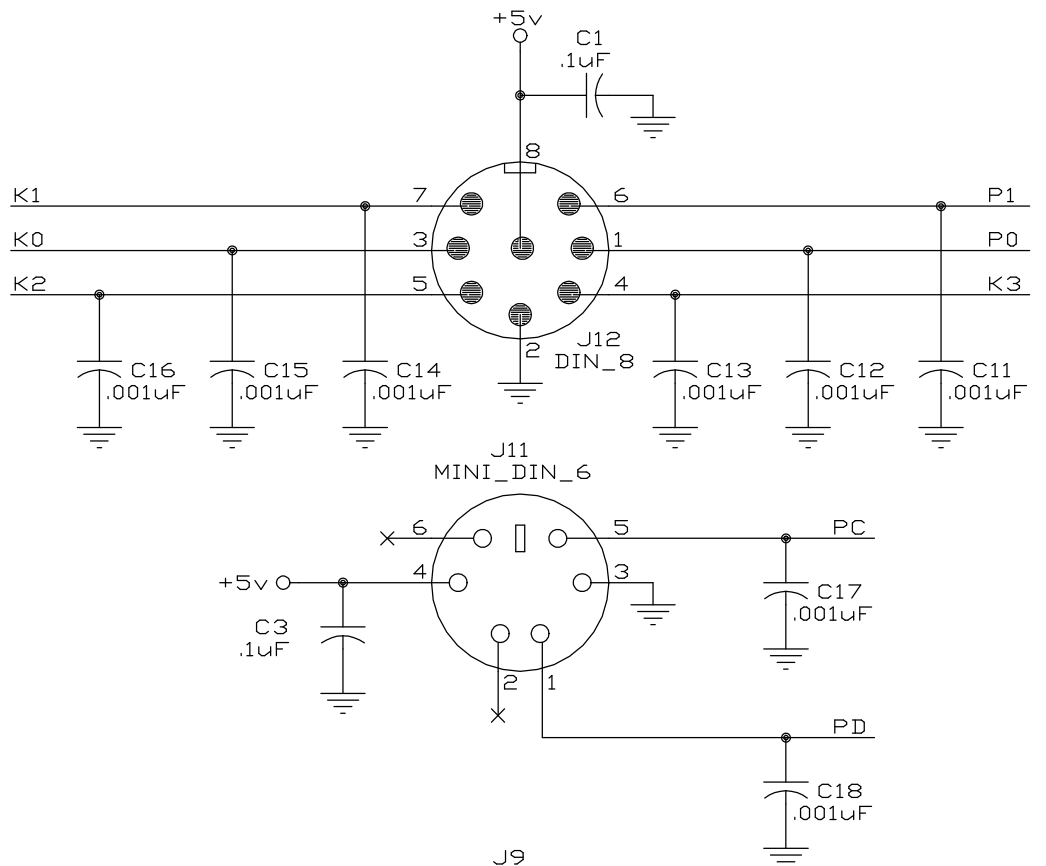
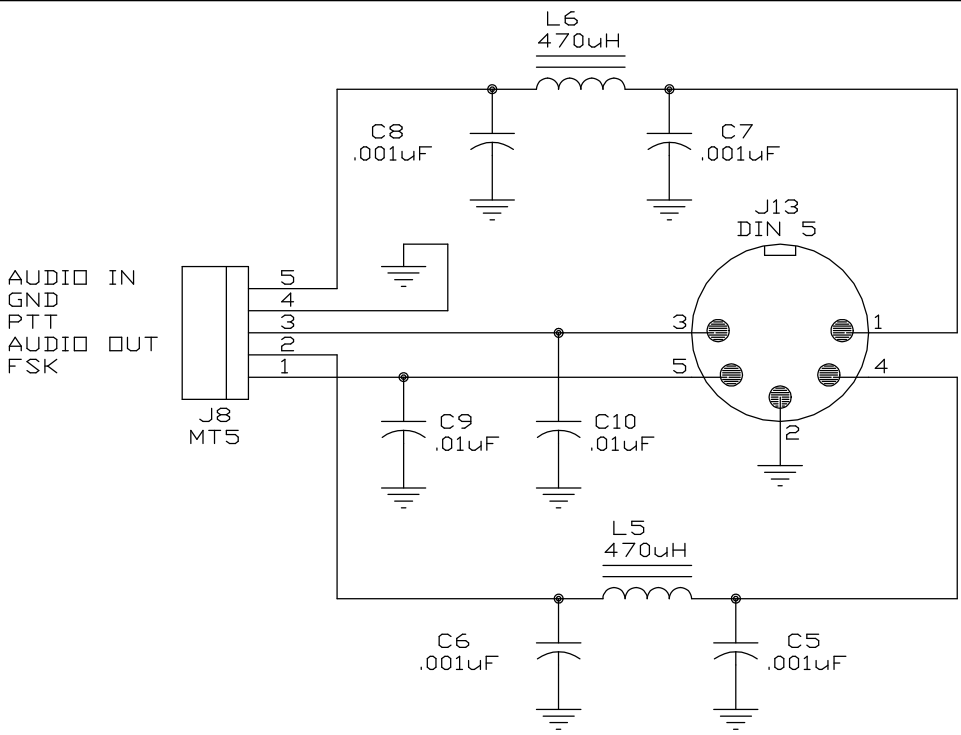




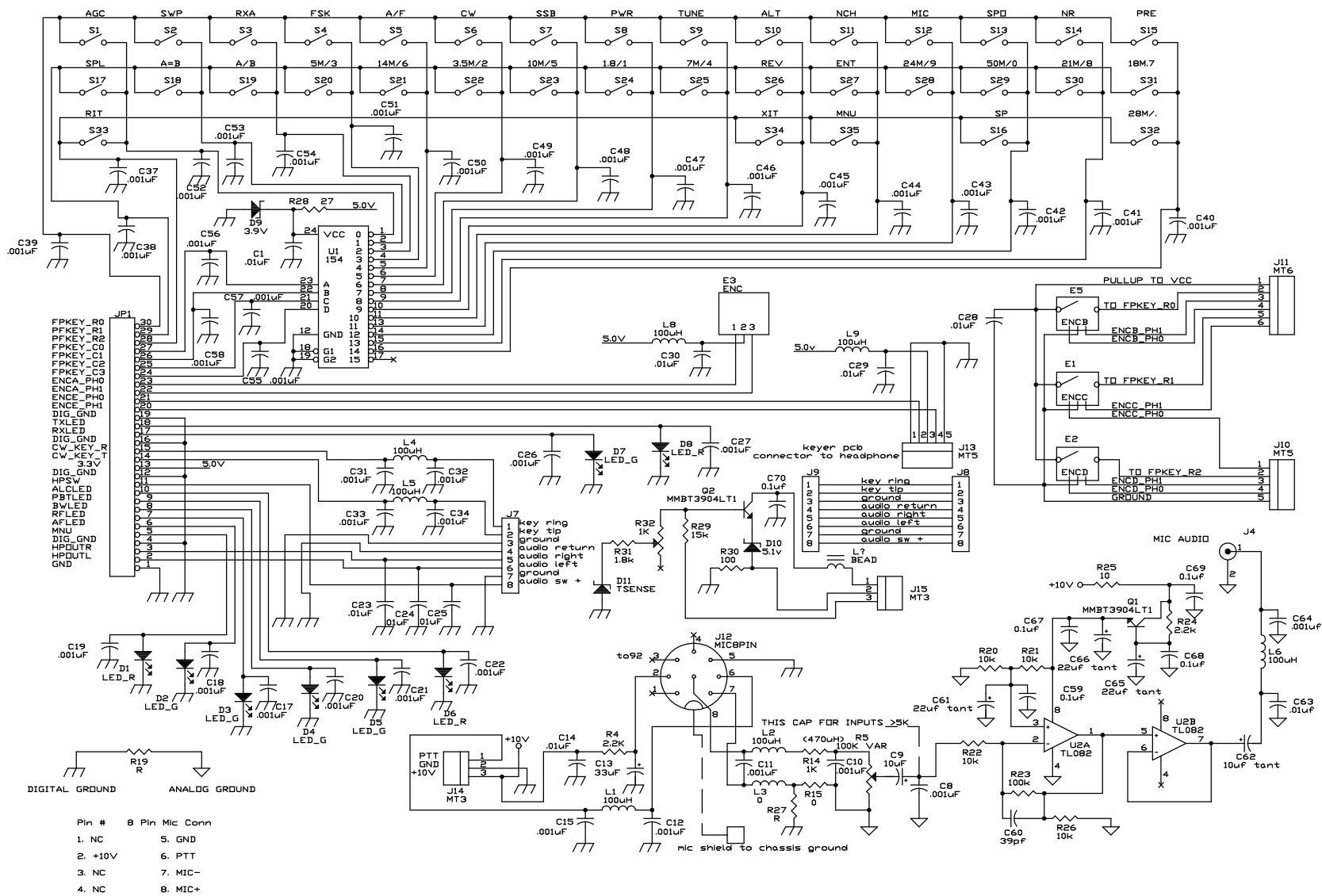
TEN-TEC, INC 1185 DOLLY PARTON PKY SEVIERVILLE, TN 37862	
Title	588
Size	Document Number
Date:	February 16, 2007 [Sheet 3 of 4]

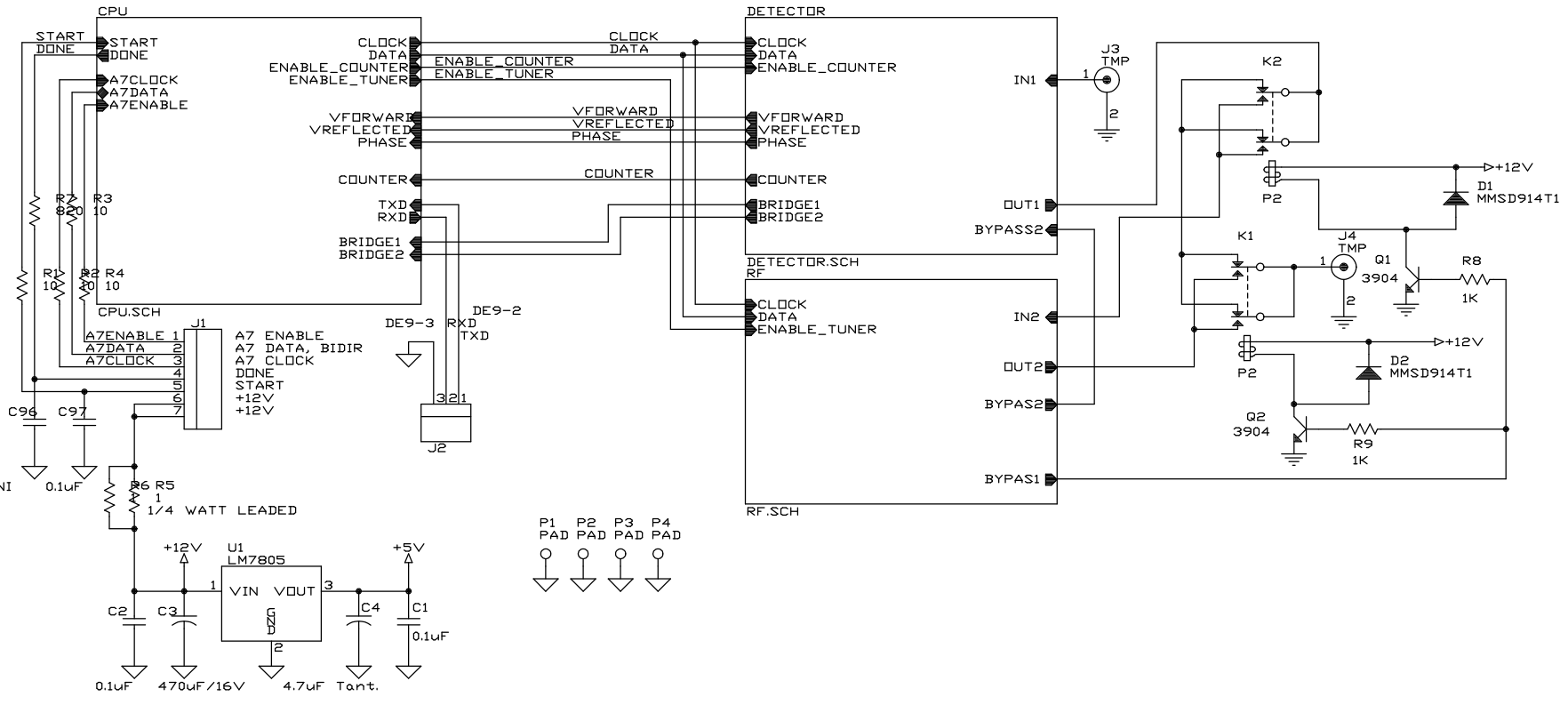


TEN-TEC, INC			
1185 DOLLY PARTON PKY			
SEVIERVILLE, TN 37862			
Title	OMNI X		
Size	Document Number		REV
C			H
Date:	January 25, 2007	Sheet	4 of 4



Title		
CONN BOARD		
Size	Document Number	REV
A	78206	
Date:	April 6, 2006	Sheet 1 of 1





OPTIONAL SWITCH, FUSE
OPTIONAL LED

Size	Document Number	REV
B		
Date:	December 9, 2004	Sheet 1 of 4

CHECK HOLDER POLARITY!

