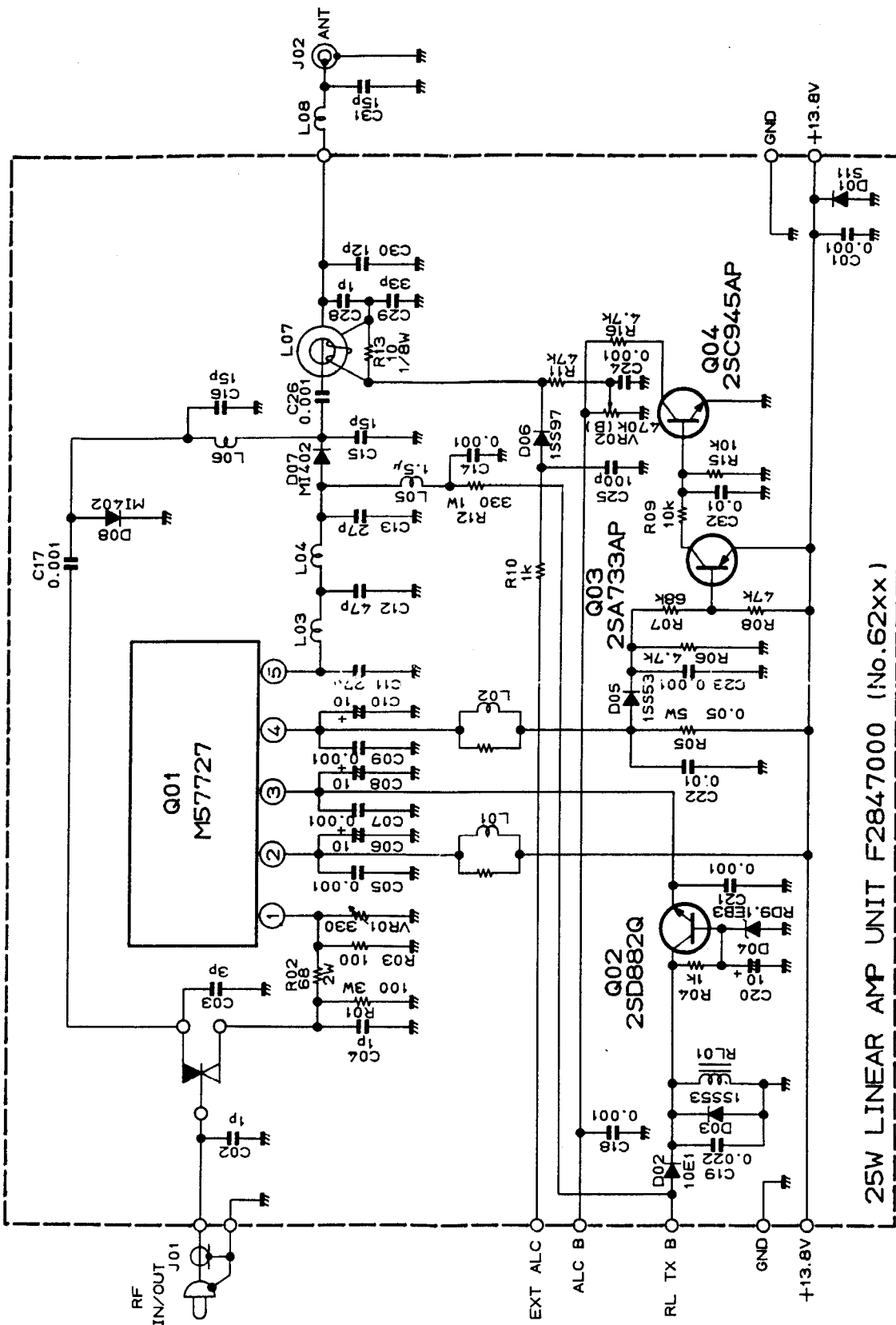


FL-2025
BLOCK DIAGRAM



25W LINEAR AMP UNIT F2847000 (No.62xx)

RESISTOR VALUES ARE IN Ω , 1/4W;
 CAPACITOR VALUES ARE IN μ F, 50V;
 INDUCTOR VALUES ARE IN HENRIES;
 UNLESS OTHERWISE NOTED.