

# **INSTRUCTION MANUAL**

## **FL2100B**

**YAESU MUSEN CO., LTD.**

TOKYO, JAPAN

# FL-2100B LINEAR AMPLIFIER

## GENERAL

The FL-2100B Linear Amplifier is designed to match the FT-101B/277B transceivers in appearance and drive requirements to run high power input covering the ham bands 80 through 10 meters.

The FL-2100B uses a pair of 572B/T160 transmitting triodes in a class B grounded grid circuit configuration. The tubes are forced-air cooled by two very quiet high speed internal fans.

Automatic Level Control circuit controls the exciter gain to allow the highest average power without distortion caused by peak clipping. Change-over circuit biases the tubes to cut-off, eliminating unwanted heat and diode noise generation when receiving.

An internal changeover relay feeds the antenna to the exciter for barefoot operation when the FL-2100B is turned off or is on standby condition. A built-in SWR bridge measures SWR on by barefoot and linear operations.

The built-in solid state power supply requires no warm-up period and provides excellent voltage regulation.

## CAUTION

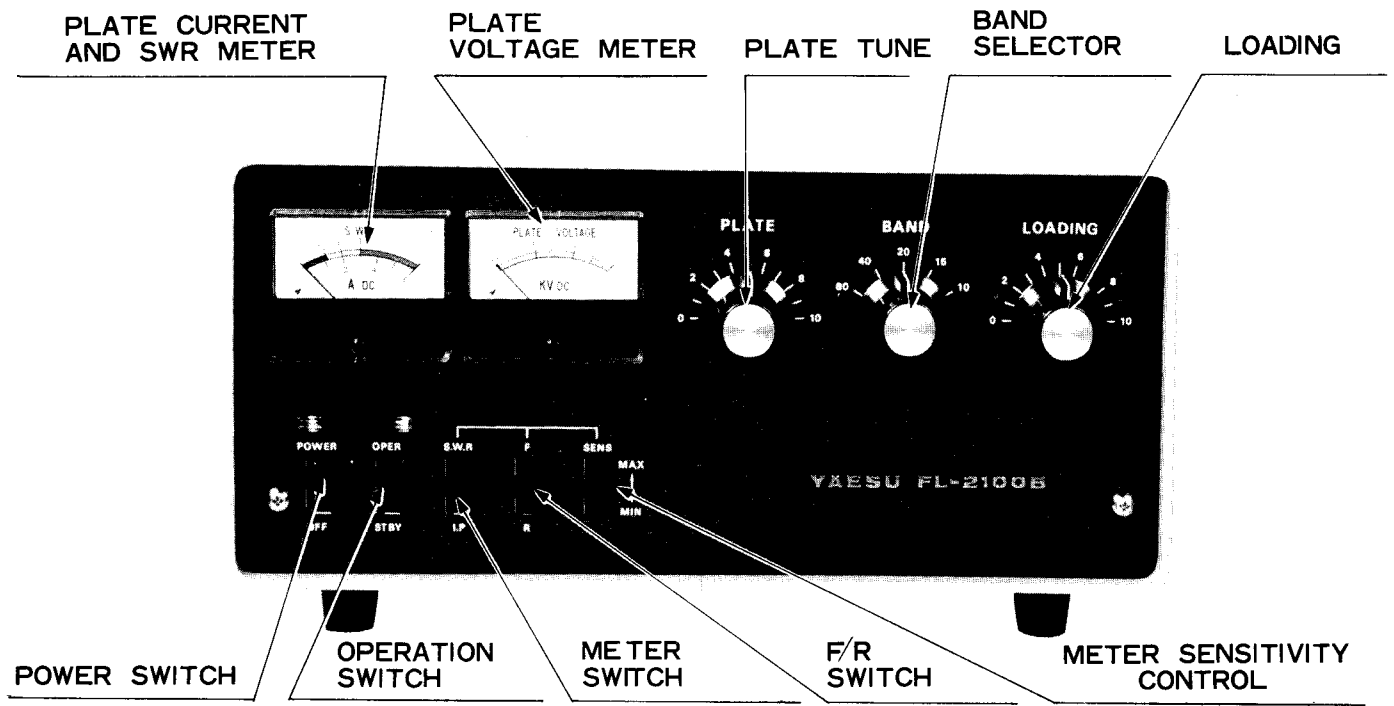
DO NOT TURN ON THE FL-2100B WITH THE TOP SHIELD COVER REMOVED. THE HIGH VOLTAGE SAFETY LOCK SHORTS OUT THE HIGH VOLTAGE AND WILL DAMAGE THE POWER SUPPLY CIRCUIT.

## SPECIFICATIONS

|                        |   |   |
|------------------------|---|---|
| Circuit                | : | Grounded Grid Class B   |
| Frequency Coverage     | : | Ham bands 80 through 10 meters  |
| Plate Input            | : | 1200 Watts PEP, 1000 Watts CW and 600 Watts AM                                  |
| Plate voltage          | : | 2400 Volts DC   |
| Drive Requirement      | : | 100 Watts PEP   |
| Input Impedance        | : | 50 ohms, unbalanced   |
| Output Impedance       | : | 50 - 75 ohms, unbalanced  |
| Third Order Distortion | : | 30 db or better at 1000 Watts PEP   |
| Tube Complement        | : | 2 × 572B/T160   |
| Cooling                | : | Forced-air cooling  |
| Power Requirements     | : | AC 100, 110, 117 Volts 50/60Hz 18 Amps<br>AC 200, 220, 234 Volts 50/60Hz 9 Amps |
| Dimensions             | : | 13 $\frac{1}{2}$ " Wide, 6 " High, 11 $\frac{1}{2}$ " Deep                      |
| Weight                 | : | 41 lbs  |

## FRONT PANEL CONTROLS

|           |   |   |
|-----------|---|---|
| POWER-OFF | : | Rocker switch turns power on.   |
| OPER-STBY | : | Rocker switch applies Bias when standby and relay is disengaged.      |
| SWR-IP    | : | Rocker switch selects either SWR or plate current meter reading.      |
| F-R       | : | Rocker switch selects either forward or reflected SWR bridge reading. |
| SENS      | : | Potentiometer adjusts meter sensitivity for SWR measurement.          |
| PLATE     | : | Plate capacitor in tank circuit.                                      |



FRONT VIEW

## INSTALLATION

The FL-2100B has been designed incorporating a safety lock to prevent dangerous high voltage shock. However, extreme care is recommended when servicing inside the cabinet.

### Unpacking

Carefully remove FL-2100B from the packing carton and examine them for any visible shipping damage, check the control knobs and switches for complete freedom of action.

In general, care should be taken to insure that enough space is allowed around the amplifier cabinet to permit adequate air circulation within the linear amplifier. Do not cover the top of the FL-2100B with books, papers or other equipment. Do not insert anything under the bottom of the FL-2100B or overheating may result.

## POWER REQUIREMENT

The FL-2100B has a built-in power supply which can be operated from either 100, 117 or 220 volts AC 50-60 Hz.

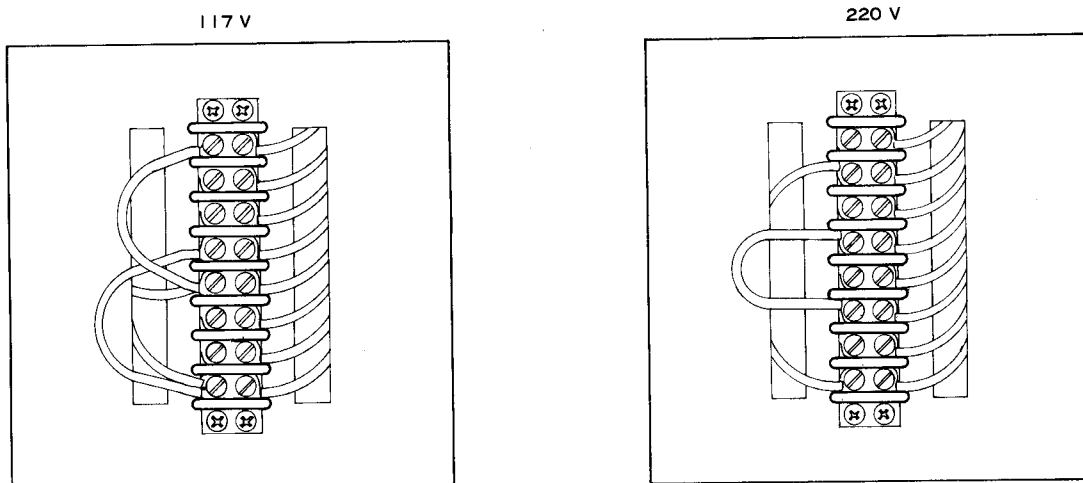
Be sure that the voltage marked on the rear of the FL-2100B agrees with the local AC supply voltage.

### CAUTION

PERMANENT DAMAGE WILL RESULT IF IMPROPER AC SUPPLY VOLTAGE IS APPLIED TO THE FL-2100B

It is recommended that the FL-2100B is operated from its own 220 volt 10 amp or greater circuit. If 117 or 100 volts is all that is available, it should be fused for 20 Amps, circuit conductors should be larger than # 10 and no other equipment should be operated from this circuit. DO NOT, under any circumstances, operate the FL-2100B from a 117 volt lighting circuit, as the circuit conductors are not large enough to carry this load.

The following diagram shows the wiring connections for 117 and 220 volt operation. Connections must be made as shown or serious damage may result.



## **ANTENNA REQUIREMENT**

The FL-2100B has been designed for use with an antenna resonant at the operating frequency and having approximate impedance within the limit of 40 to 80 ohms. The nominal output impedance of the FL-2100B is 50 ohms. When the impedance of the antenna used is far from this value, it is recommended that an antenna matching network be used which will allow the FL-2100B to work into its nominal 50 ohm load for maximum power transfer into the antenna.

## **GROUND REQUIREMENT**

The FL-2100B should be connected to a good earth ground through as short and as large a gauge wire as possible for best performance and maximum safety. A connecting post marked "GND" is provided on the rear apron of the chassis.

## **CAUTION**

NEVER OPERATE THE FL-2100B WITHOUT CONNECTING IT TO AN EARTHGROUND, AND AN ANTENNA OR 50 OHM DUMMY LOAD, OR SERIOUS DAMAGE MAY RESULT.

## **EXCITER REQUIREMENT**

To operate the FL-2100B at its maximum power input, it will be required that the exciter deliver 100 Watts PEP SSB output. The exciter should be placed as close to the amplifier as practical to avoid long coax and ground connections.

## **ALC**

On the rear of the FL-2100B, a terminal is provided for connection to the exciter of the ALC voltage which controls the gain of the exciter to prevent distortion caused by peak clipping.

## Relay Control

RY and E terminal on the rear of the FL-2100B are provided for connection to the exciter relay circuit which is normally open, and which closes on transmit and thus keys the FL-2100B at the same time. E terminal should be connected to ground for exciters whose relay contact connects to ground on transmit. The terminals are jumpered with a wire for testing purposes when the unit is shipped from the factory.

## OPERATION

### CAUTION

BE SURE THAT THE FL-2100B IS CONNECTED TO A 50 OHM ANTENNA SYSTEM OR A 50 OHM DUMMY LOAD AND THAT THE PROPER POWER CONNECTION HAS BEEN MADE FOR THE LINE VOLTAGE THAT IS TO BE USED. (SEE PAGE 4)

For all modes of operation, the FL-2100B is tuned up with a single R.F. frequency driving it. The exciter may be tuned up on CW into the antenna connected to the FL-2100B with operation switch at STBY position, or by leaving the FL-2100B power off. After the exciter has been tuned up, turn the exciter to standby and turn the operation switch to "OPER" position.

### Presetting of the Controls

|               |  |
|---------------|--|
| POWER switch  | : OFF  |
| OPER switch   | : STBY                                       |
| SWR/IP switch | : IP   |
| BAND switch   | : Desired band                               |
| PLATE Control | : To the number given in the following chart |
| LOAD Control  | : Fully counter-clockwise on number zero     |

| BAND | PLATE | LOADING |
|------|-------|---------|
| 80   | 1—6.5 | 1.5—5.5 |
| 40   | 6—7   | 3       |
| 20   | 7—8   | 3.5     |
| 15   | 9—9.5 | 4       |
| 10   | 9—10  | 4.5     |

Turn the power switch of FL-2100B on and wait for a few seconds for tube warm up. Turn OPER switch onto "OPER" position.

Turn on the exciter and increase the exciter output while not exceeding 0.2 Amps plate current and tune the plate control for dip in the plate current. Alternately adjust the plate and loading controls while increasing the exciter power in small increments until maximum R.F. output occurs at 0.5 Amps plate current. Do not exceed 10 seconds at maximum input to protect the tubes.

To measure relative power output, set the meter switch to "SWR" and "F" (forward) position. If the relative output meter goes off scale during tune up, reduce the meter sensitivity control in a downward direction. Approximate settings of the loading control at maximum input are given in the chart above for 50 ohm load.

Now you are ready for CW and SSB operation.

For SSB operation, the exciter should be adjusted to run the FL-2100B plate current between 0.2 and 0.3 Amps under normal voice operating conditions, because the meter cannot follow speech speed.

For AM operation, tune up the FL-2100B as described previously. Then the exciter should be adjusted to run the FL-2100B at 0.2 Amps plate current with unmodulated carrier.

To measure the SWR of the antenna system, set the meter switch to SWR and apply R.F. power to the antenna. Adjust the meter sensitivity control to read



full scale at SWR switch "F" position. Turn SWR switch to "R" position, then SWR may be read directly from upper scale of the meter.

## **THEORY OF OPERATION**

The FL-2100B is designed to use two 572B/T 160 zero bias triodes in a class B grounded grid configuration.

The RF driving power delivered to the input is applied to the tube filaments through a changeover relay and a pi-network on each band which is selected by the input switch S2b. The input switch is ganged to the band switch S1.

The RF voltage appearing on the grid of the tube is coupled through C203 to ALC rectifier diodes D201 and D202. The plate potential of D201 is determined by R1, R2, R3, so that adequate automatic level control voltage is available to control the exciter. The bias is set by R4 for 0.09 Amps idle current. In standby, the cold end of S4 is opened so that bias voltage cuts off the tubes. The plate circuit is coupled to the 50 ohm output load by an adjustable pi-network through the SWR bridge circuit.

## **SERVICING**

### **WARNING**

EXTREME CAUTION SHOULD BE TAKEN WHENEVER MAKING ANY ADJUSTMENTS INSIDE THE CABINET. BEFORE REMOVING THE CABINET UNPLUG THE POWER PLUG FROM THE AC LINE.

### **Removing the Bottom Cover and the Cabinet**

After disconnecting the power cord from the AC line, the bottom cover can be removed by taking out the four screws on it.

After removing four screws on the front end and four on the bottom of the cabinet, the cabinet can be slid out backwards from the chassis and panel assembly.

## Removing Shield Cover

After removing the cabinet, the shield cover of the PA compartment can be removed by taking out two screws on the shield cover. The safety lock shorts out the charge condensed in the capacitor.

## Tube Replacement

If it becomes necessary to replace the tubes in the FL-2100B, the same manufacturer brand should be used.

## Trouble Shooting

During long periods of operation, it is quite possible that some problem will arise which cannot be cured by tube substitution. If this occurs, it is recommended that you either return it to your dealer or write us in detail.

## Input Coil Alignment

The input coils are adjusted at the factory for the center of each band and are broad enough to cover the entire band. However, if the tubes are replaced with a brand other than originally supplied, the input coils may have to be realigned. The alignment is done with a 50 ohm SWR meter inserted between the exciter output and the FL-2100B's RF input coax jack. First disconnect the FL-2100B from the power line, remove the bottom cover and the cabinet disconnect the wiring from the high voltage terminals of the transformer.

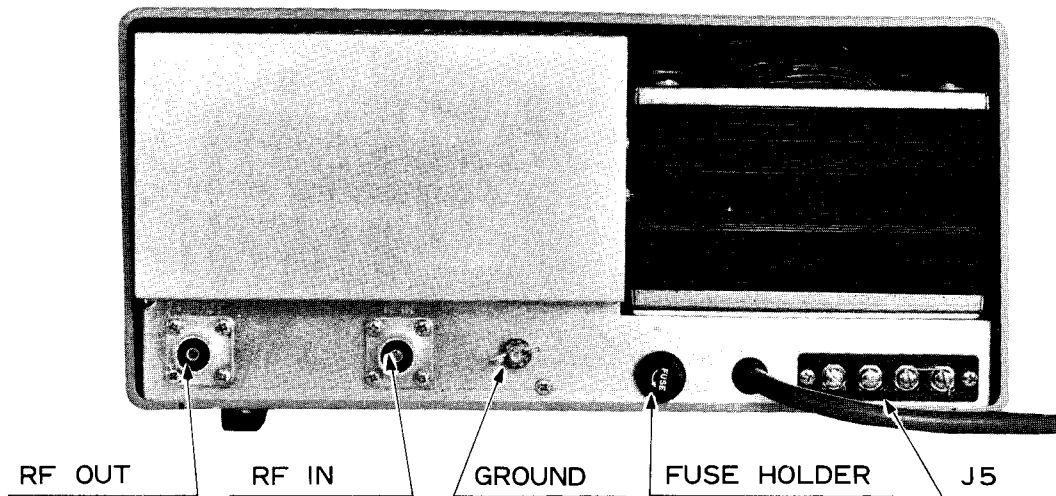
The amplifier should be connected to the exciter as for normal operation with the exception of the SWR meter in the input line. Preset the controls as follows:

|               |   |                                     |
|---------------|---|-------------------------------------|
| Band Switch   | : | On desired band to be tuned         |
| Loading       | : | Fully counter-clockwise             |
| Plate Control | : | In the position described on page 7 |

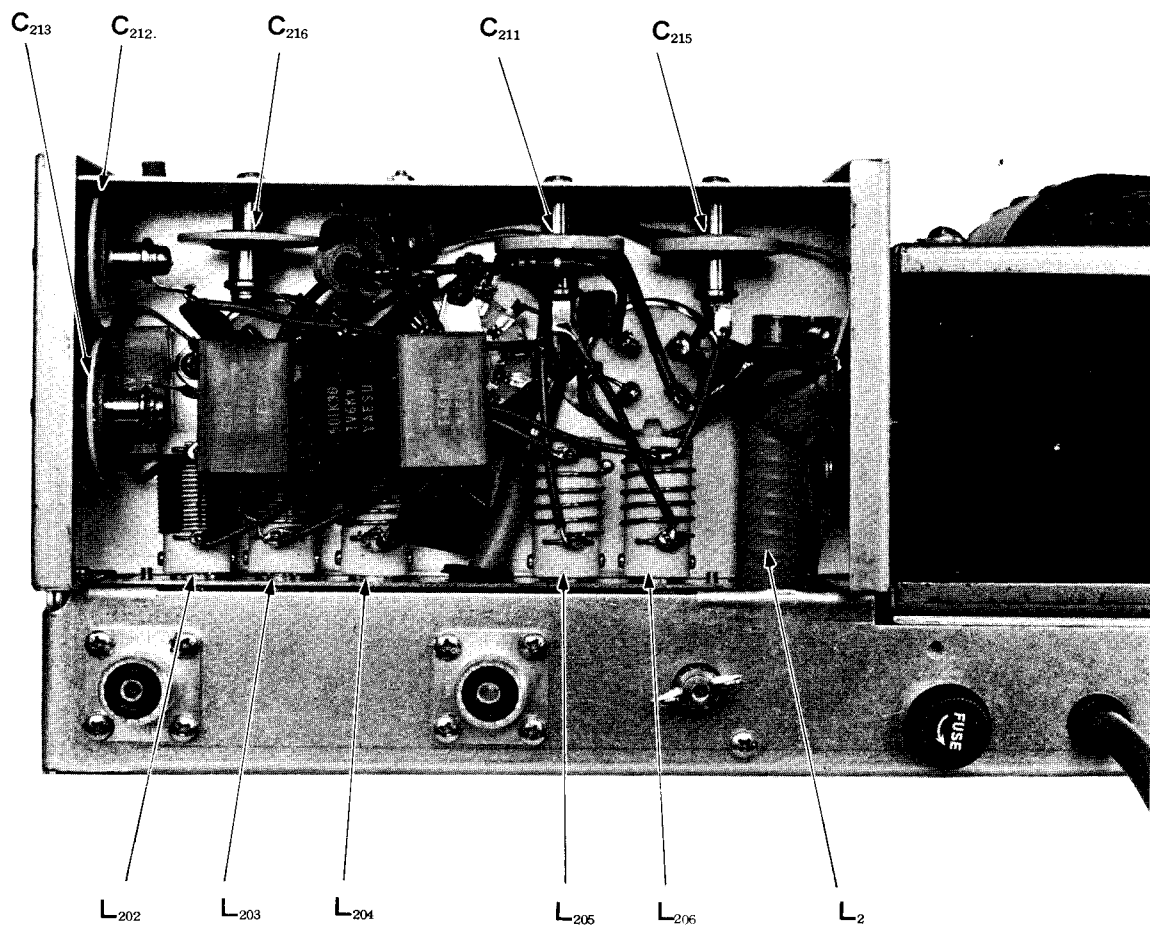
With the exciter tuned up on CW in the middle of the band to be tuned, turn on the FL-2100B. The amplifier now works without plate voltage. Extreme care should be taken, because there is high voltage AC on the secondary terminals of the power transformer.

Increase the output from the exciter until the amplifier plate meter read 0.1 Amps. Tune the plate control for a dip in plate current and tune the slug on the correct input coil for a minimum reflected power reading on the SWR meter that is connected to the input line.

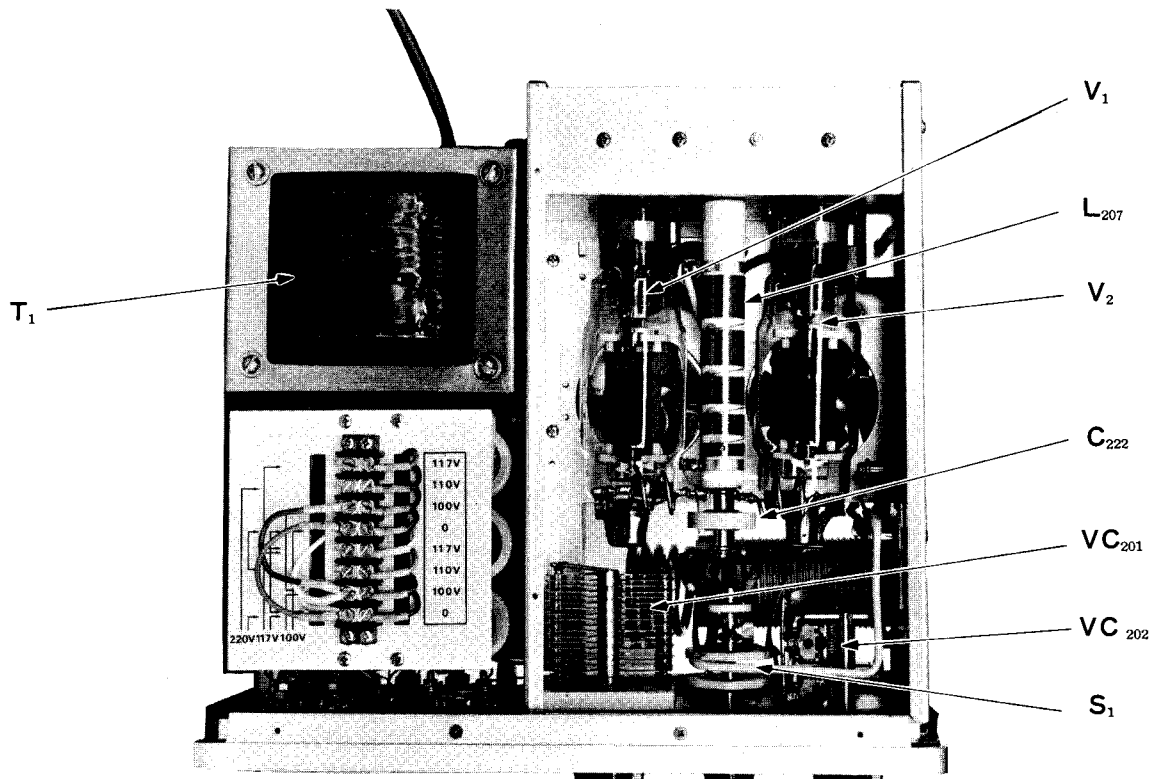
After re-alignment, disconnect the power cord from the AC line and reconnect the disconnect wiring to the secondary terminals of the transformer.



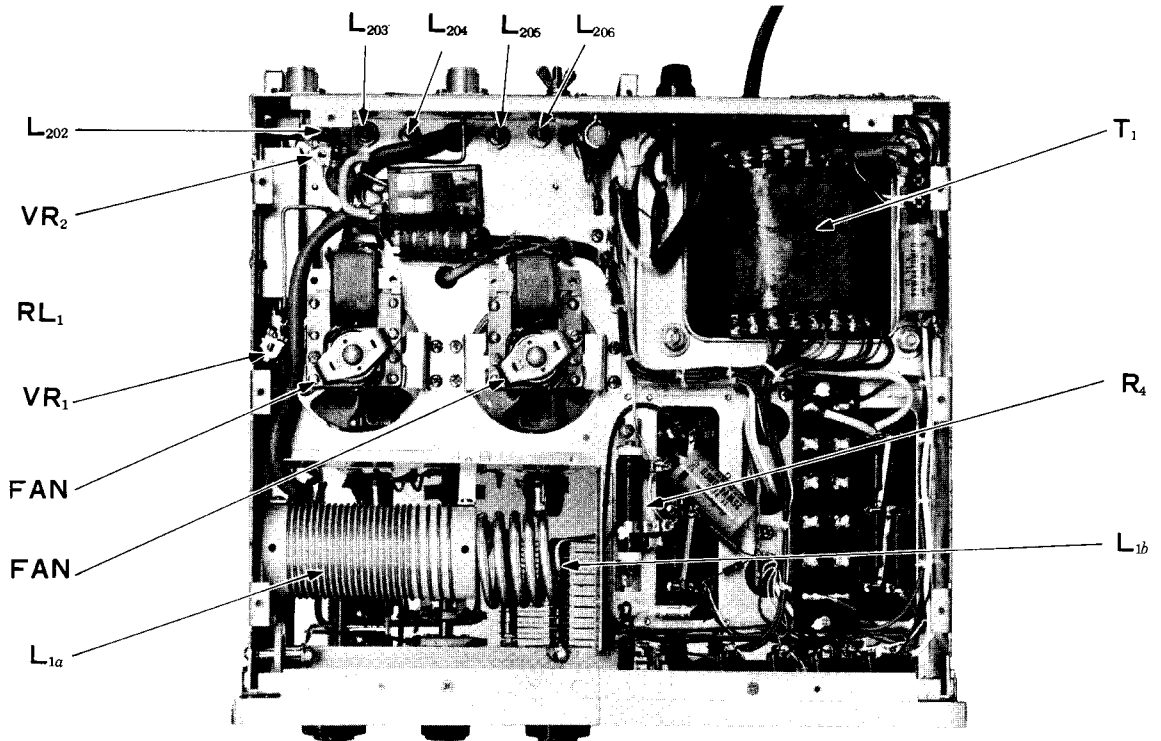
REAR VIEW



INPUT TUNING CIRCUIT

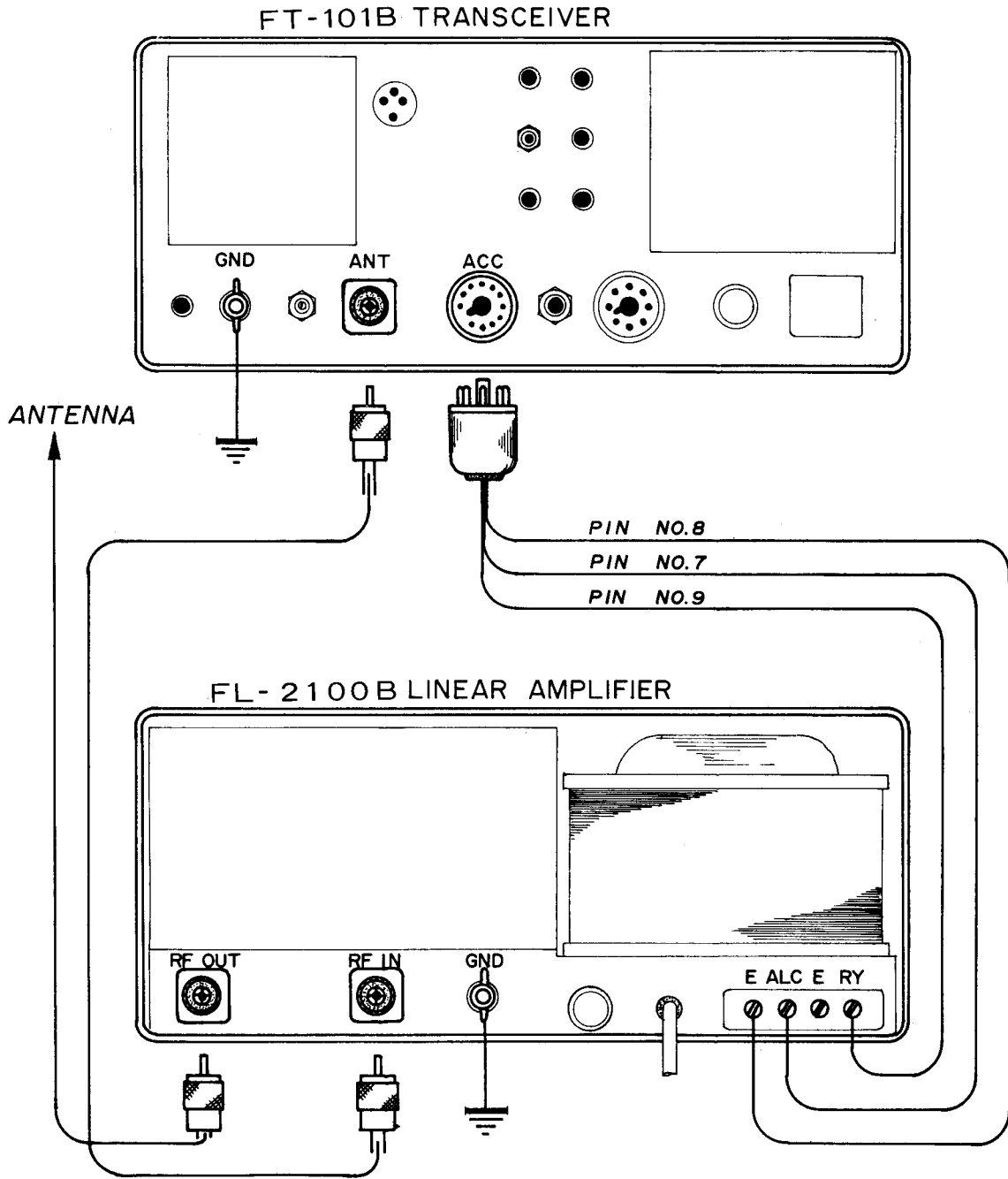


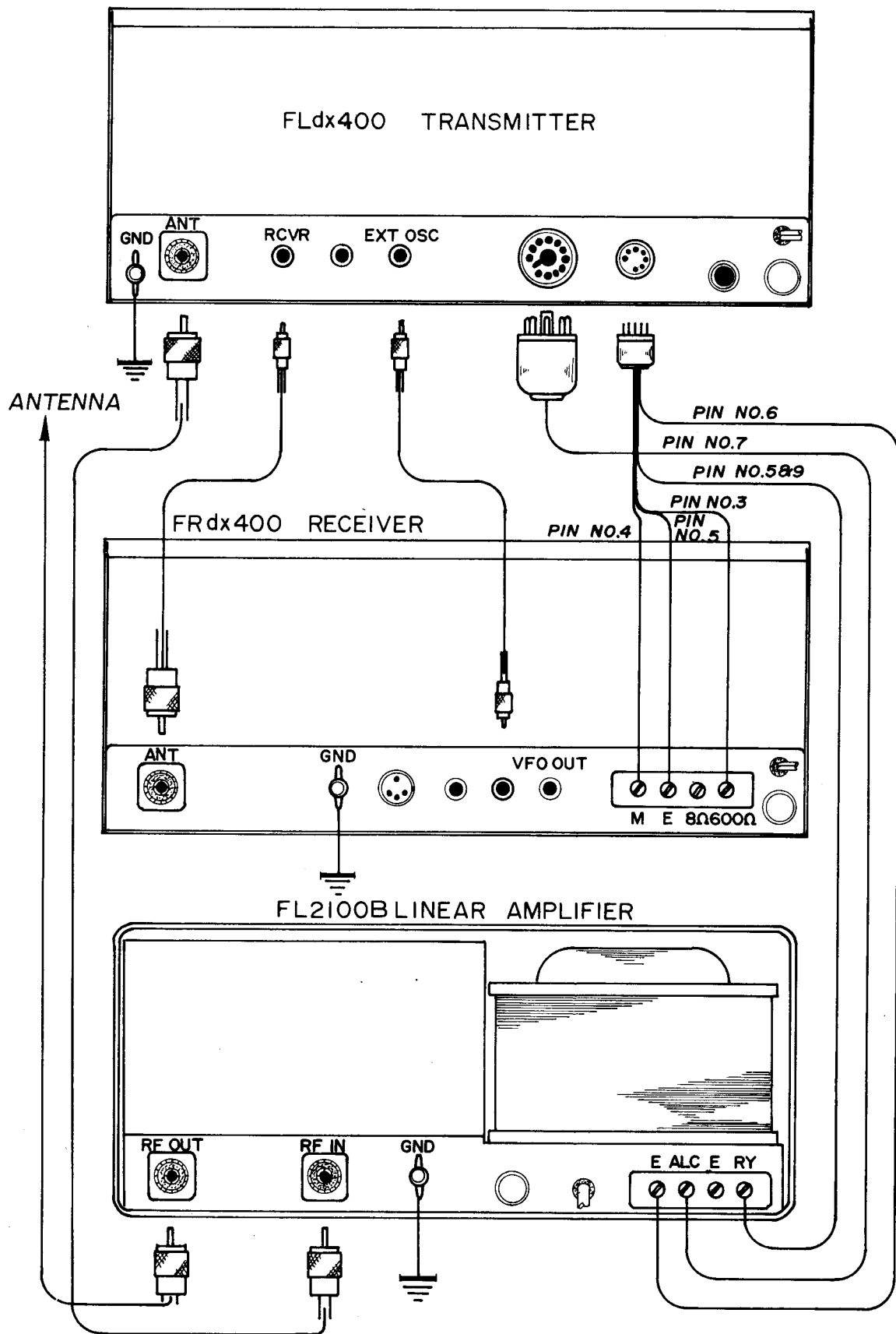
TOP VIEW



BOTTOM VIEW

# INTERCONNECTION DIAGRAM

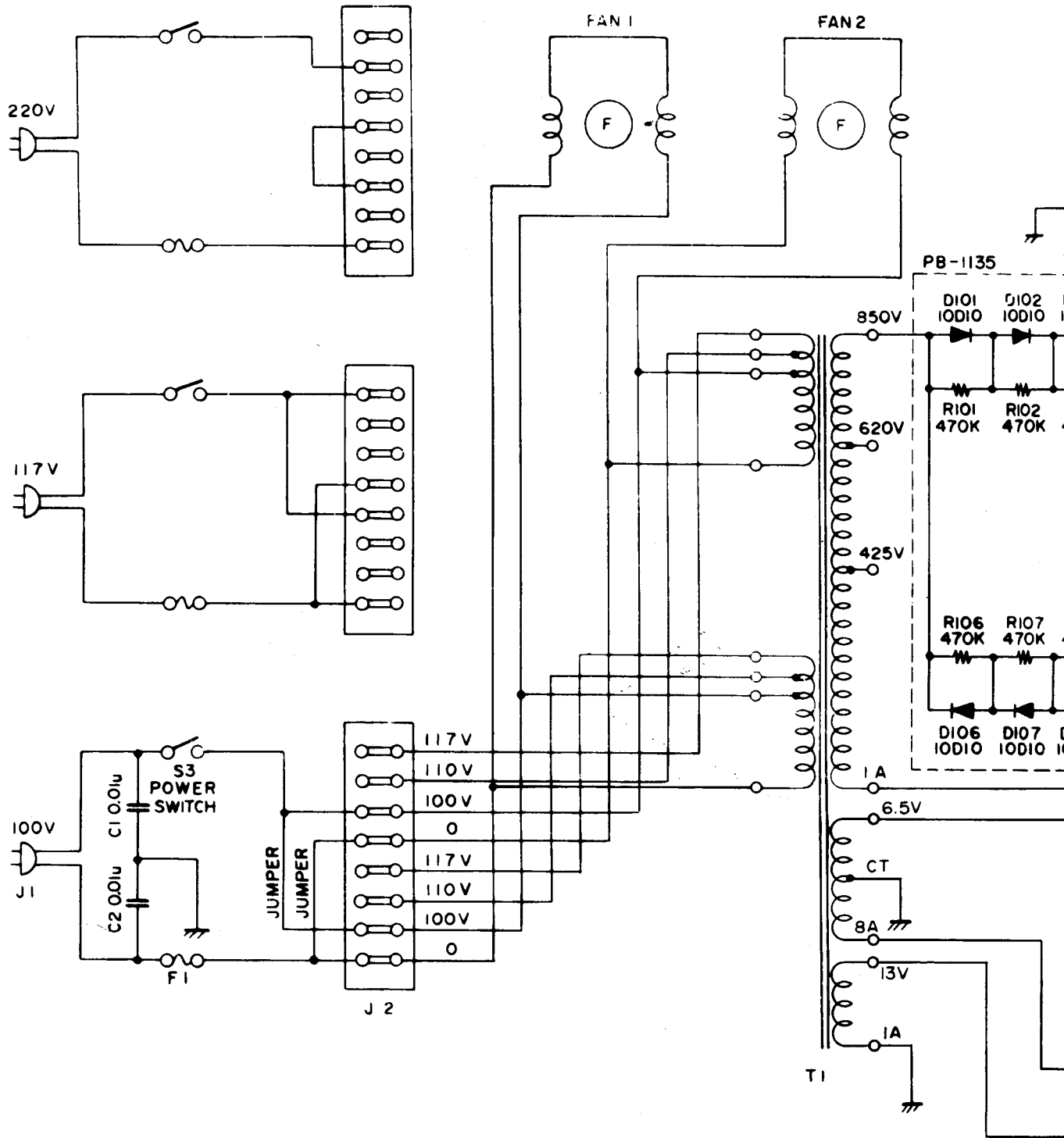




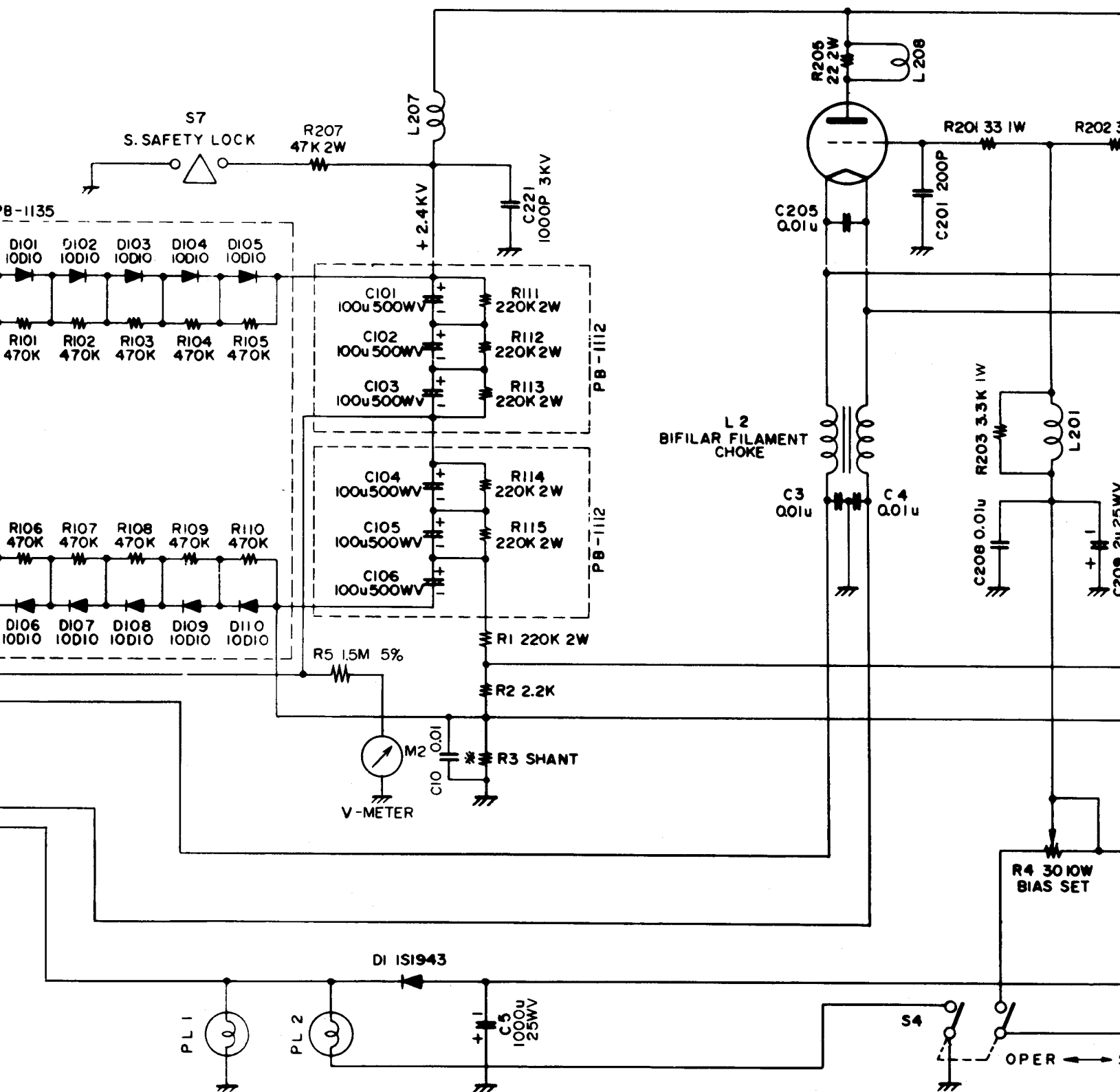
# FL-2100B PARTS LIST

| C-CAPACITOR                        |                          |              |             | S-SWITCH              |                 |                      |  |
|------------------------------------|--------------------------|--------------|-------------|-----------------------|-----------------|----------------------|--|
| 1, 2                               | CERAMIC DISC<br>1.4KV DC | 0.01 $\mu$ F |             | 1                     | BAND SW.        |                      |  |
|                                    |                          |              |             | 2                     | "               | 2-4-5                |  |
| 3, 4, 7, 8, 9<br>205~208, 210, 225 | CERAMIC DISC<br>500WV    | 0.01 $\mu$ F | +100<br>-0% | 3                     | (POWER)         | WD 2301              |  |
|                                    |                          |              |             | 4                     | (OPER-STBY)     | WD 2301              |  |
| 5                                  | ELECTROLYTIC<br>25WV     | 1000 $\mu$ F |             | 5                     | (METER SW)      | WD 2101              |  |
|                                    |                          |              |             | 6                     | (SWR F-R)       | WD 2101              |  |
| 209                                | ELECTROLYTIC<br>50WV     | 2.2 $\mu$ F  |             | 7                     | P SAFETY LOCK   |                      |  |
|                                    |                          |              |             | F-FUSE                |                 |                      |  |
| 101~106                            | ELECTROLYTIC<br>500WV    | 100 $\mu$ F  |             | 1                     | AC 100V~117V    | 20A                  |  |
|                                    |                          |              |             |                       | AC 200V~234V    | 15A                  |  |
|                                    |                          |              |             | FH-FUSE HOLDER        |                 |                      |  |
| 201, 202                           | DIPPED MICA<br>500WV     | 200PF        | $\pm 10\%$  | 1                     | SN-1001         |                      |  |
| 203                                | "                        | 5PF          | "           | PL-PILOT LAMP         |                 |                      |  |
| 204                                | "                        | 50PF         | "           | 1, 2                  | 14V 30mA        |                      |  |
|                                    |                          |              |             | M-METER               |                 |                      |  |
| 215, 224                           | CERAMIC<br>TV3K RDA-30   | 100PF        |             | 1                     | PF-45-1675      | 1mA/600mA            |  |
| 212, 217                           | "                        | 250PF        |             | 2                     | PF-45-1674      | 3KV                  |  |
| 211, 216                           | "                        | 200PF        |             | FAN                   |                 |                      |  |
| 226                                | "                        | 300PF        |             | 1, 2                  | 2S10A (FAN)     |                      |  |
| 221, 222                           | "                        | 1000PF       |             | J-JACK                |                 |                      |  |
| 223                                | CERAMIC<br>TV3K RDA-40   | 500PF        |             | 2                     | H, 8P           |                      |  |
|                                    |                          |              |             | 3, 4                  | JSO-239 (INCH)  |                      |  |
| 213                                | MICA<br>TV6K             | 350PF        |             | 5                     | 4PC             |                      |  |
| 214                                | "                        | 500PF        |             | P-PLUG                |                 |                      |  |
| 219, 220                           | "                        | 1000PF       |             | 3, 4                  | JPL-259 (INCH)  |                      |  |
| 218                                | "                        | 400PF        |             | VC-VARIABLE CAPACITOR |                 |                      |  |
|                                    |                          |              |             | 201                   | (PLATE VC)      | 115PF (MAX) AIR      |  |
|                                    |                          |              |             | 202                   | (LOADING VC)    | 430PF $\times$ 2 AIR |  |
|                                    |                          |              |             | VR-VARIABLE RESISTOR  |                 |                      |  |
|                                    |                          |              |             | 1, 2                  | B500 $\Omega$   |                      |  |
|                                    |                          |              |             | 3                     | B100K $\Omega$  |                      |  |
|                                    |                          |              |             | L-INDUCTOR            |                 |                      |  |
|                                    |                          |              |             | 1a                    | TANK COIL       |                      |  |
|                                    |                          |              |             | 1b                    | 10 M TANK       |                      |  |
|                                    |                          |              |             | 201                   | GRID RFC        |                      |  |
|                                    |                          |              |             | 202                   | 80 M INPUT COIL |                      |  |
|                                    |                          |              |             | 203                   | 40 M "          |                      |  |
|                                    |                          |              |             | 204                   | 20 M "          |                      |  |
|                                    |                          |              |             | 205                   | 15 M "          |                      |  |
|                                    |                          |              |             | 206                   | 10 M "          |                      |  |
|                                    |                          |              |             | 207                   | PLATE RFC       |                      |  |
|                                    |                          |              |             | 2                     | HEATER CHOKE    |                      |  |
|                                    |                          |              |             | 3                     | RFC             |                      |  |
|                                    |                          |              |             | 208, 209              | PARASTIC COIL   |                      |  |
|                                    |                          |              |             | RL-RELAY              |                 |                      |  |
|                                    |                          |              |             | 1                     | AW 5221 GK      | DC 12V               |  |
|                                    |                          |              |             | T-TRANSFORMER         |                 |                      |  |
| 1                                  | POWER                    |              |             |                       |                 |                      |  |

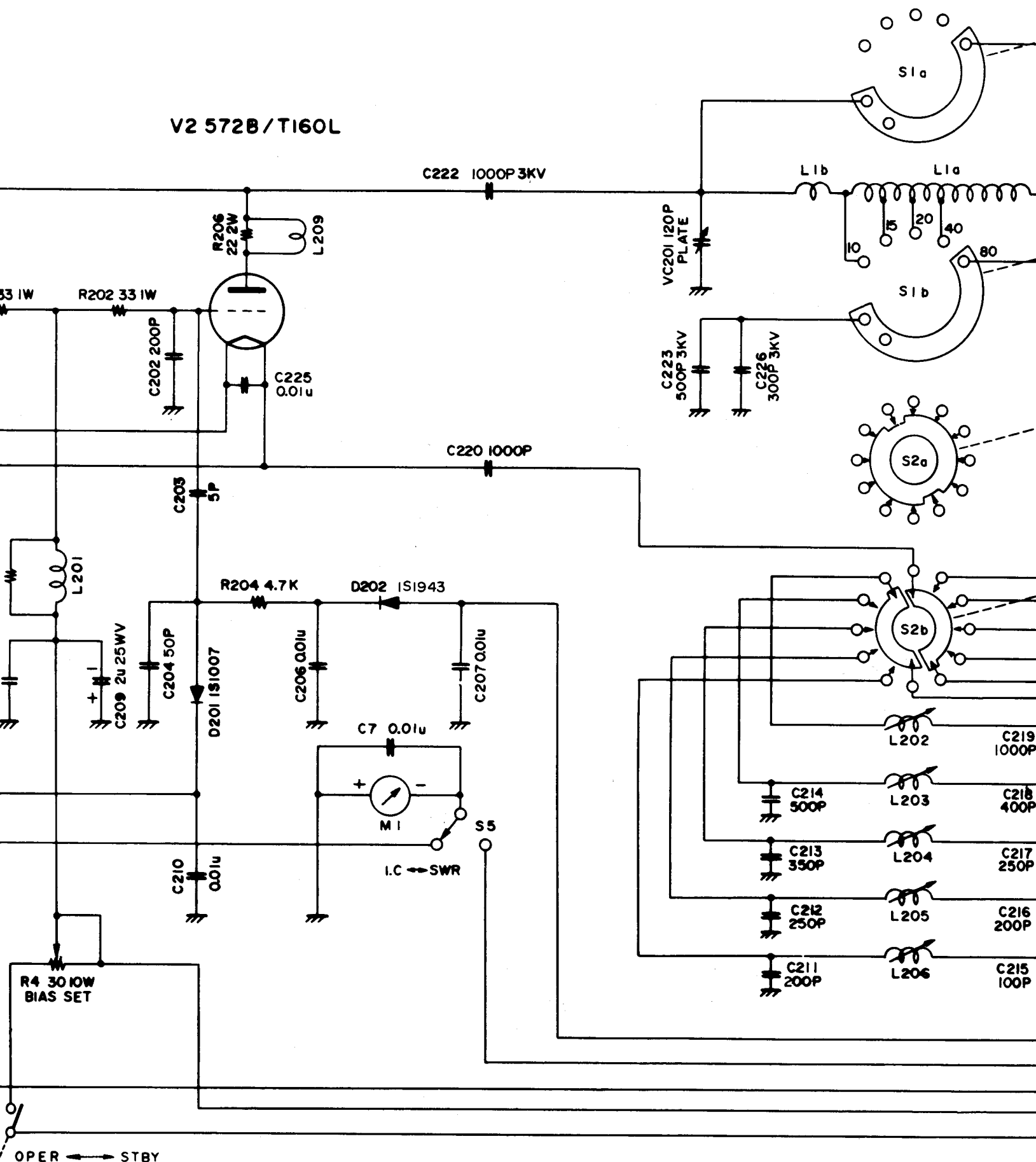




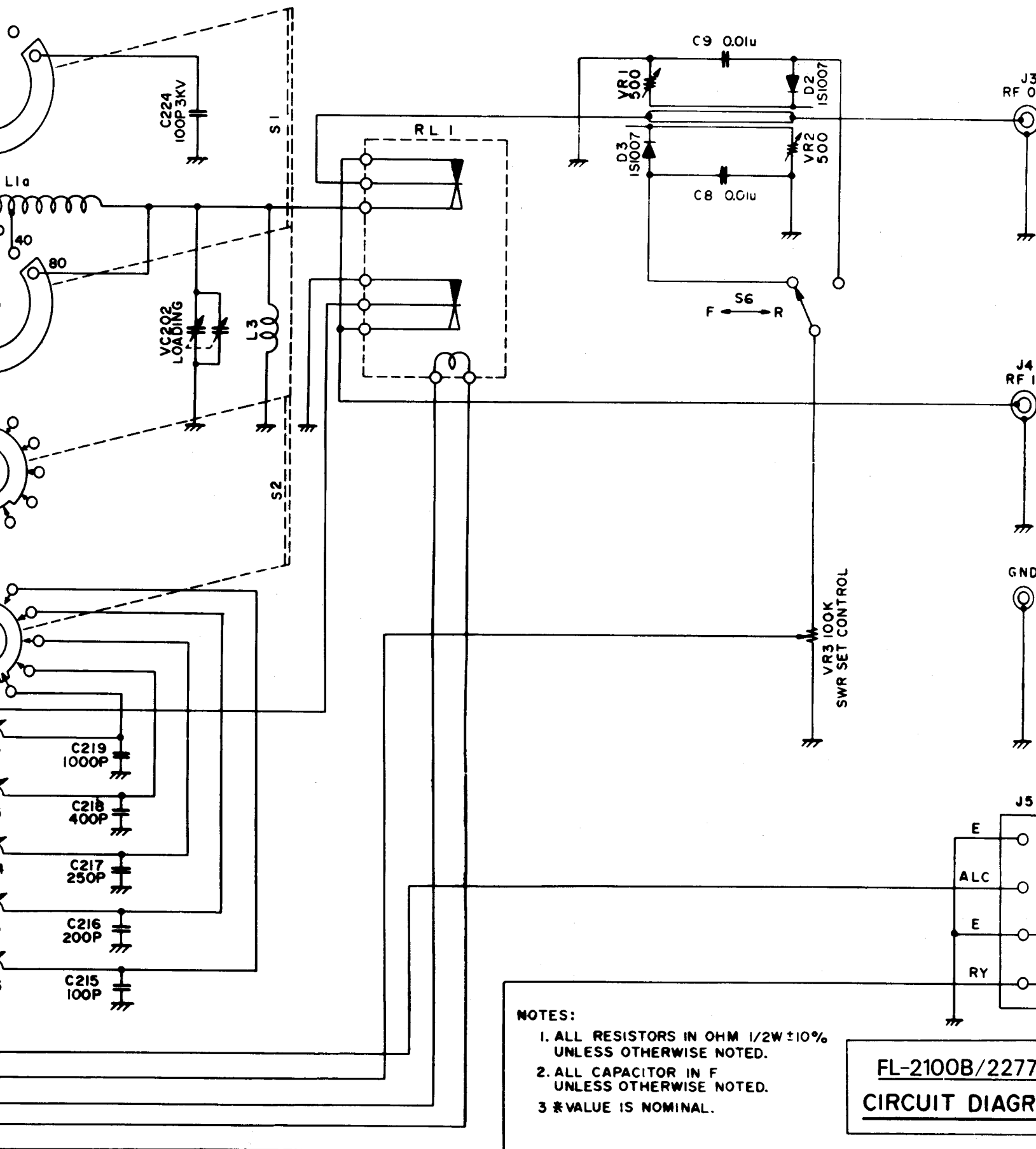
VI 572B/T160L



V2 572B/T160L

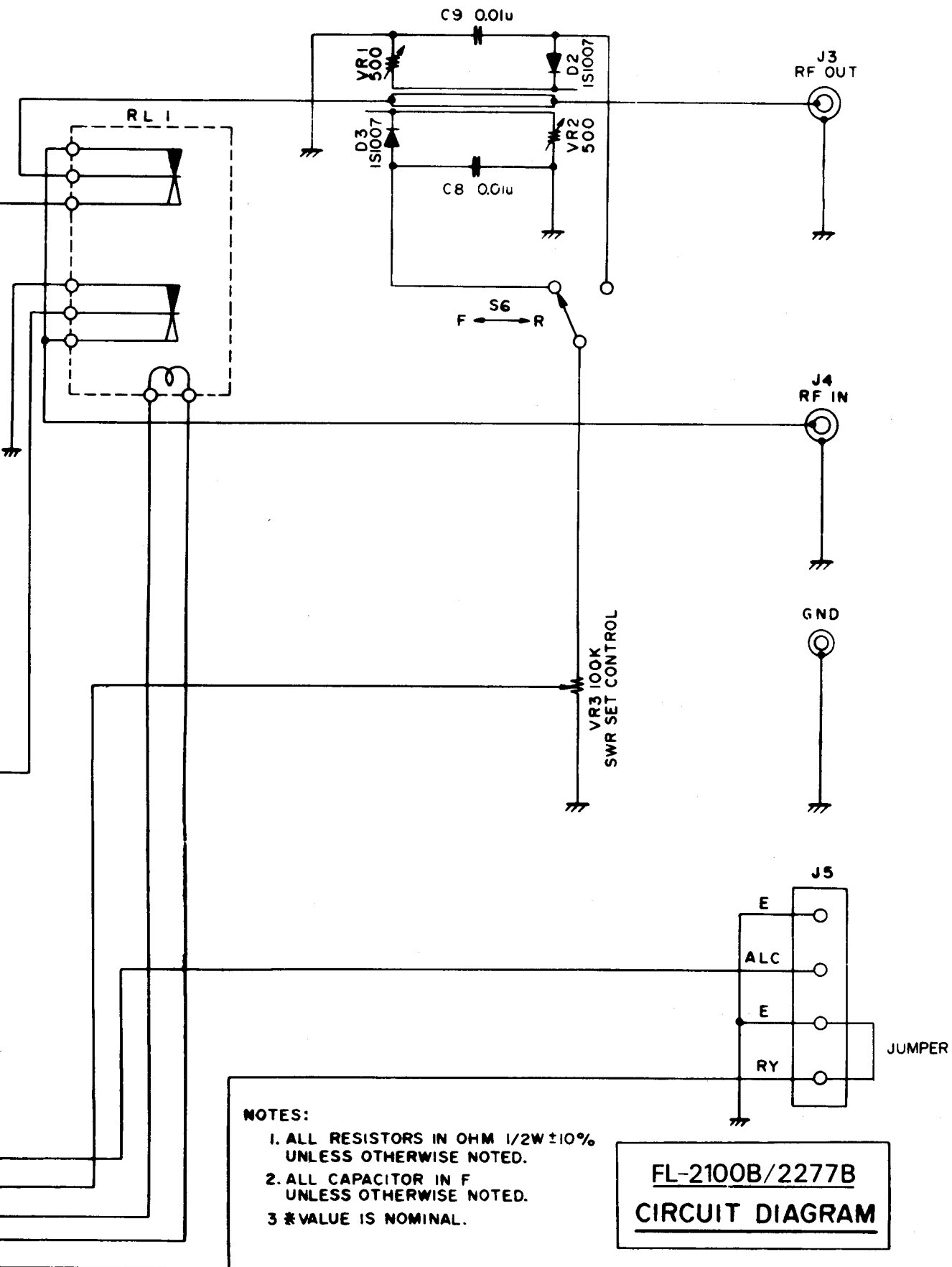


OPER ↔ STBY



- NOTES:**
1. ALL RESISTORS IN OHM 1/2W ±10% UNLESS OTHERWISE NOTED.
  2. ALL CAPACITOR IN F UNLESS OTHERWISE NOTED.
  3. \*VALUE IS NOMINAL.

**FL-2100B/2277**  
**CIRCUIT DIAGR**



**NOTES:**

1. ALL RESISTORS IN OHM 1/2W ±10% UNLESS OTHERWISE NOTED.
2. ALL CAPACITOR IN F UNLESS OTHERWISE NOTED.
- 3 \* VALUE IS NOMINAL.

**FL-2100B/2277B  
CIRCUIT DIAGRAM**

