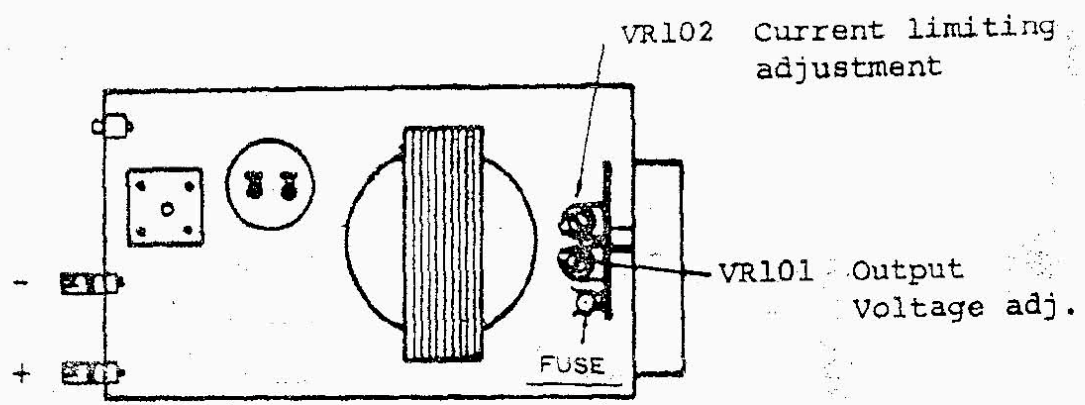


FP-4

The FP-4 power supply is designed to provide DC output of 13.8 Volts at 4 Amps for base station operation of the FT-7, FT-227R, or similar transceivers designed for DC operation. AC input voltages of 100/110/117/200/220/234 at 50/60 Hz may be used, thus allowing operation from a variety of locations. The FP-4 features overload and short-circuit protection, too; current in excess of 5 Amps causes the power supply to shut down. VR101 provides adjustment of the DC output voltage, and VR102 adjusts the current-limiting point of the protective circuitry.

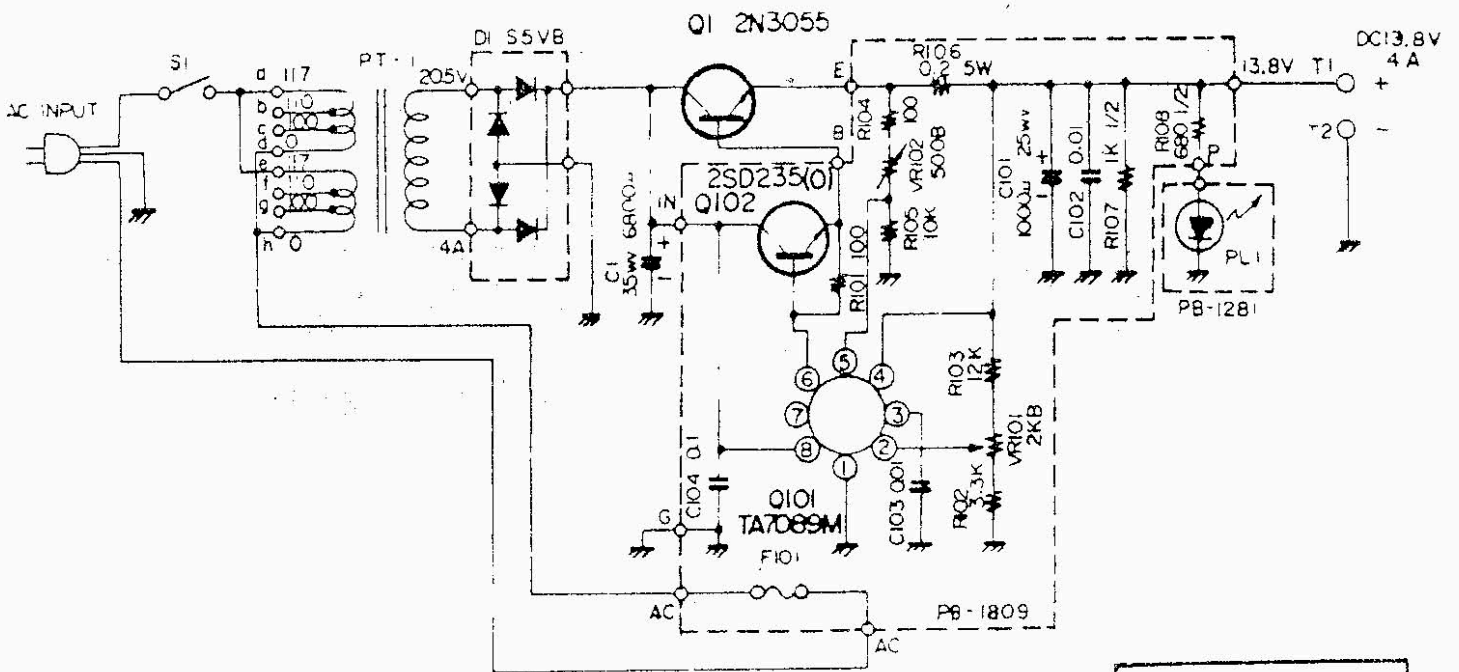
SPECIFICATIONS

AC Input voltage	100/110/117/200/220/234 VAC 50/60Hz
DC Output voltage	13.8 V (Adjustable 10-15 V)
Maximum Current	4 Amps (50 % Duty cycle)
Current protection threshold	5 Amps
Maximum Ripple	70 mV p-p @ 4 Amps 117 VAC

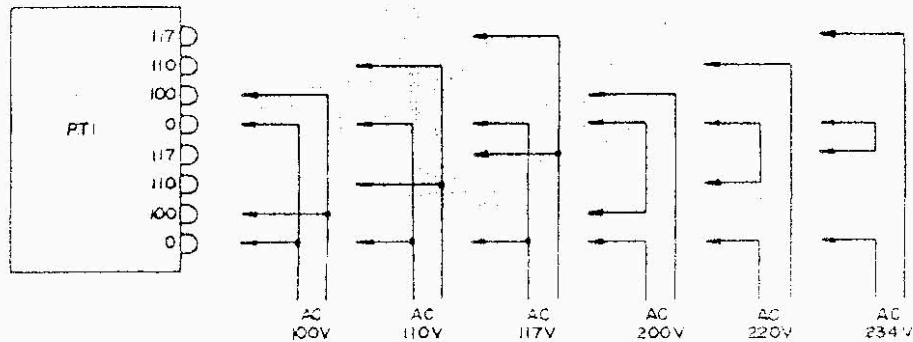


YAESU MUSEN CO., LTD.

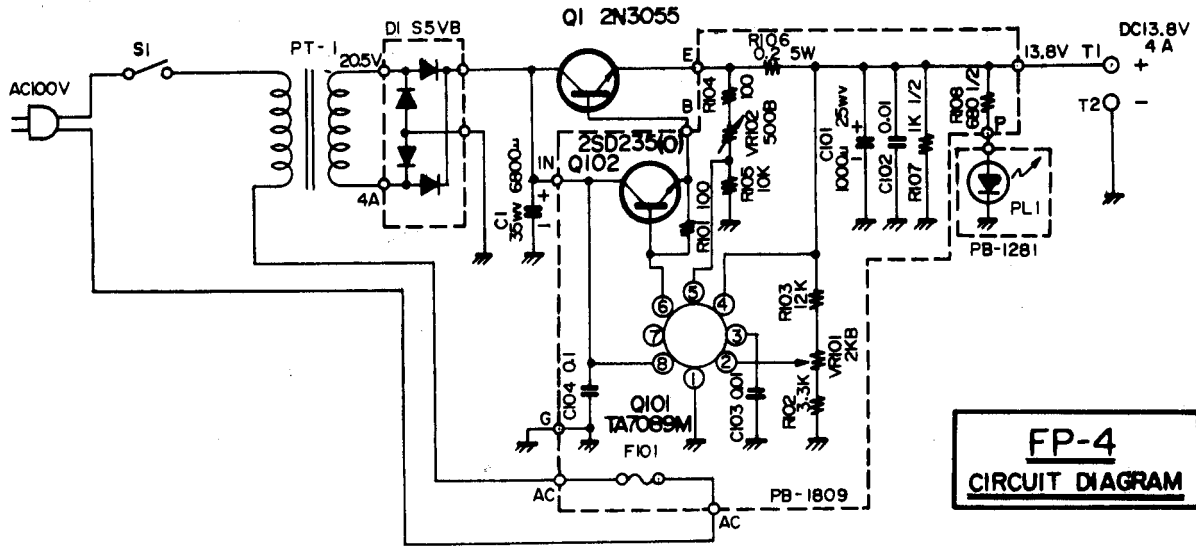
C. P. O. BOX 1500 TOKYO, JAPAN



FP-4
CIRCUIT DIAGRAM



POWER TRANSFORMER PRIMARY CONNECTION

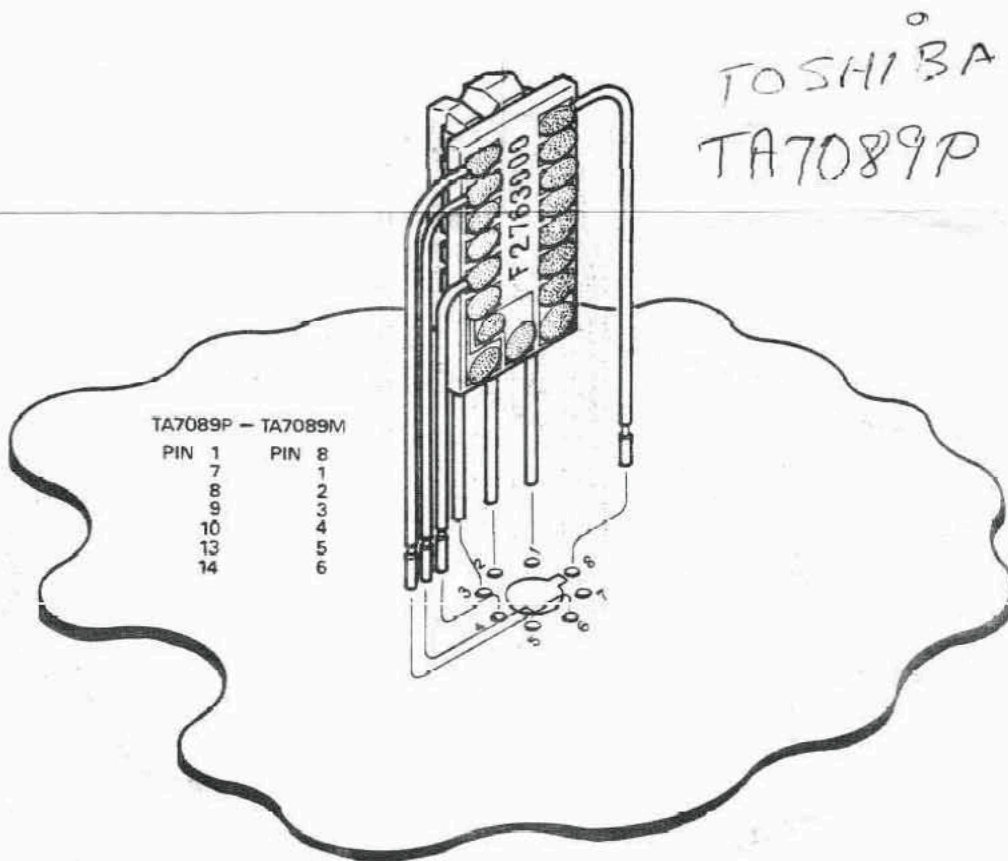


FP-4
CIRCUIT DIAGRAM

REPLACEMENT OF THE TA7089M
WITH TA7089P

The TA7089M Voltage Regulator IC used in some Yaesu FP- power supplies was previously available in an 8-pin radial lead package. This type is no longer available, so the TA7089P in 14-pin DIP package must be used as a replacement. The following drawing shows the replacement method, using Yaesu replacement kit D3000448, which consists of the TA7089P mounted on a small board, supplied with leads as shown.

After removing the TA7089M, trim the insulated leads from pins 1, 10, 13 and 14 on the replacement board so that the board can mount perpendicularly to the main board, and strip enough insulation for soldering. Then insert the wires into the original holes and solder them as shown.



If you have an item of interest you would like to see added to the Fox Tango Web Site

Carol L. Maher W4CLM

(c) Fox Tango International, 2004. All rights reserved