

PB-1817A CONTROL UNIT (No.1)

PB-1825 (No.9) MEMORY CH. UNIT

PB-1819 SMO-LOOP II UNIT (No.3)

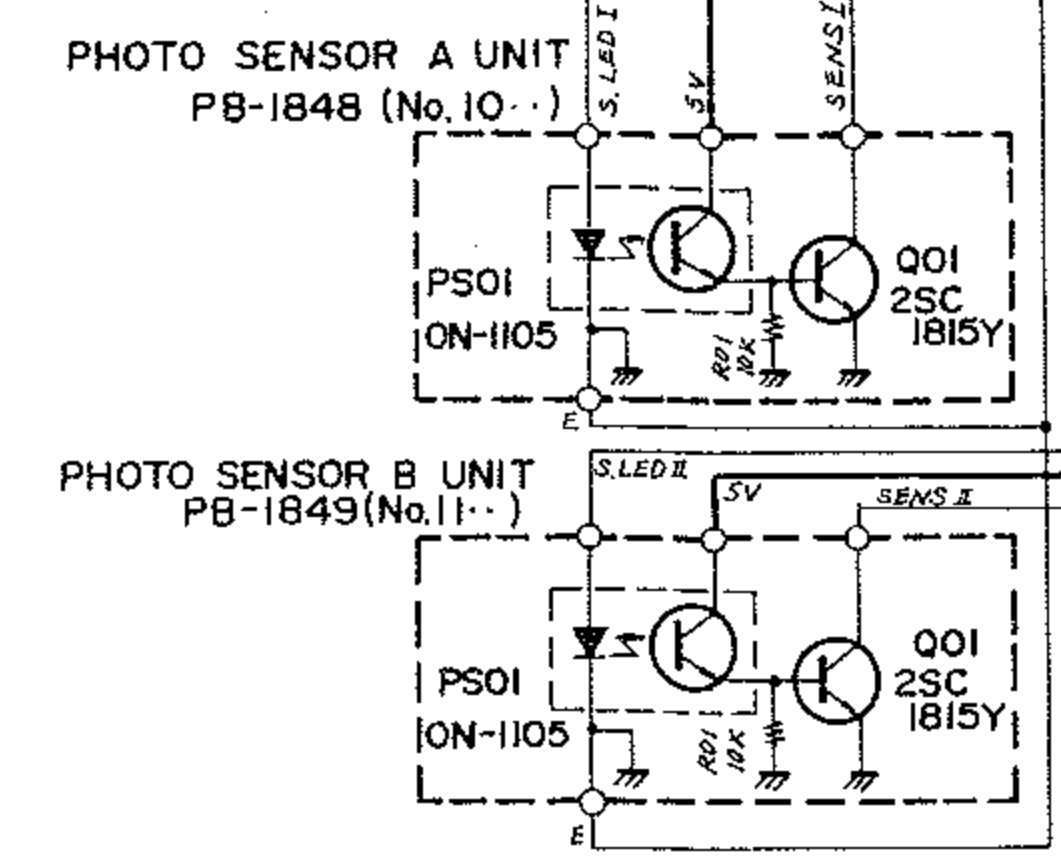
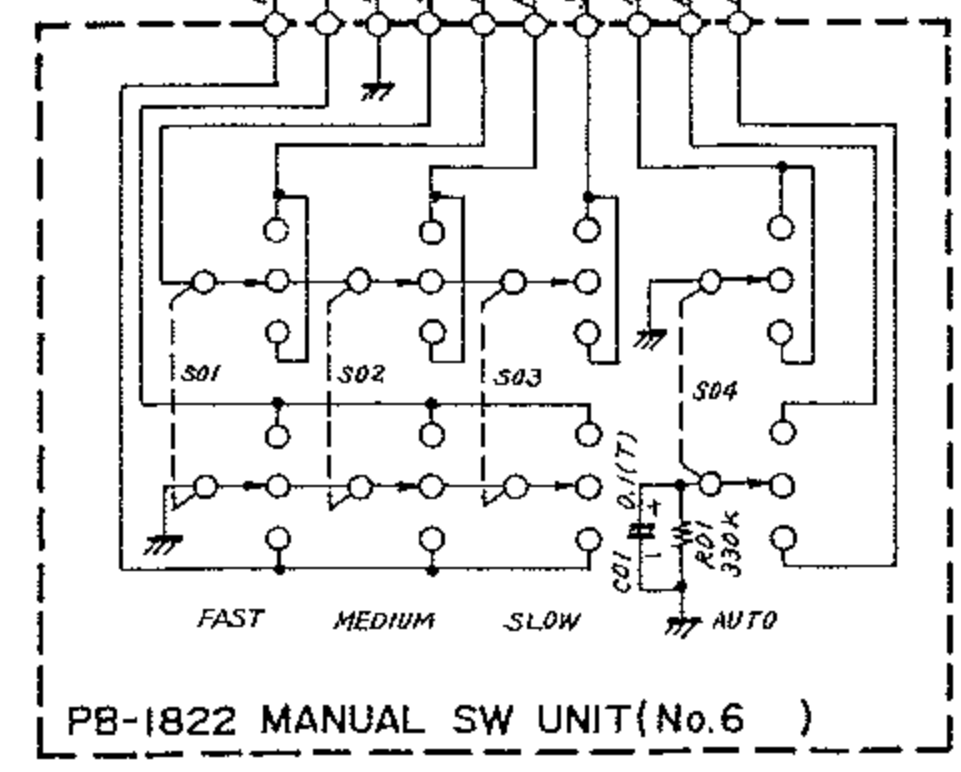
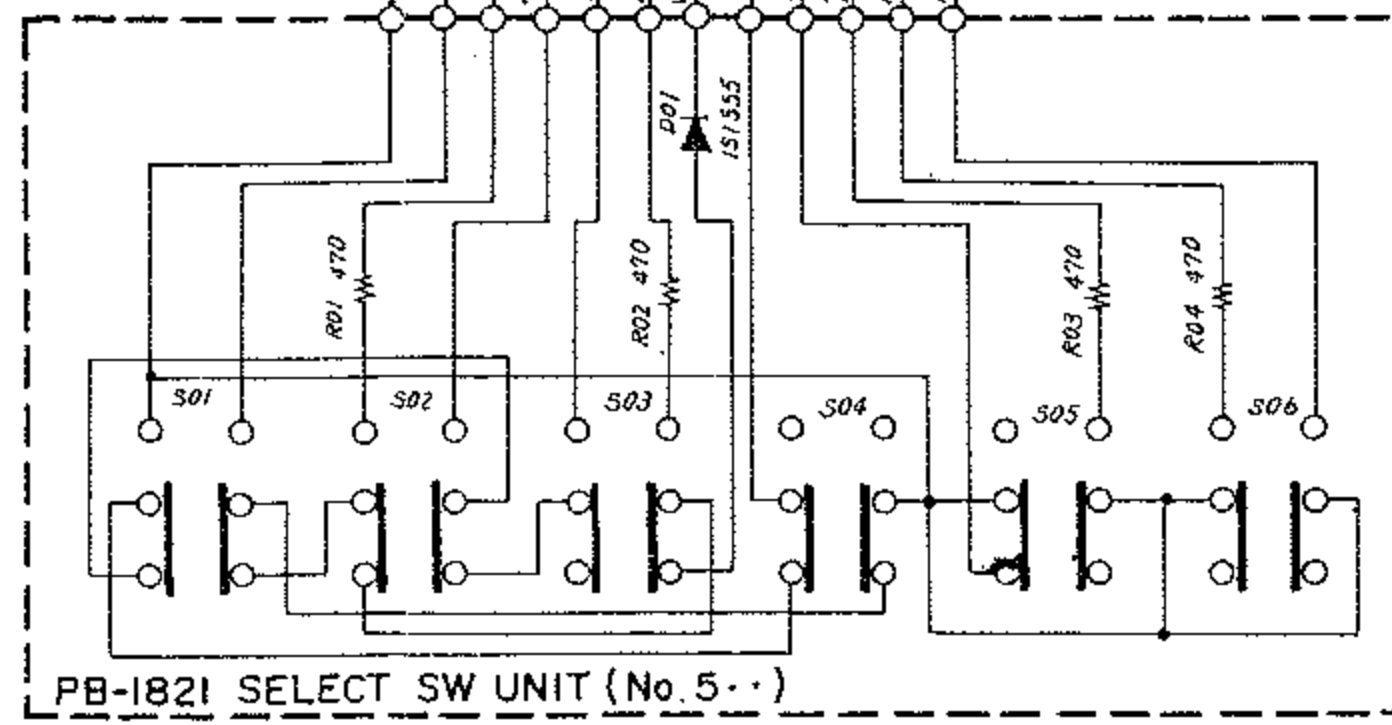


PHOTO SENSOR A UNIT PB-1848 (No.10)

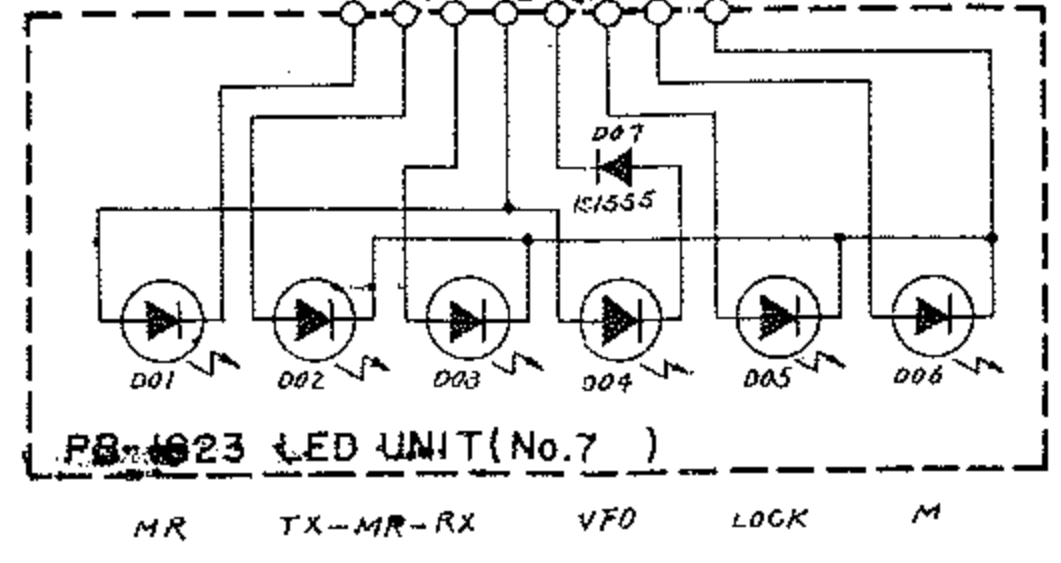
PHOTO SENSOR B UNIT PB-1849 (No.11)



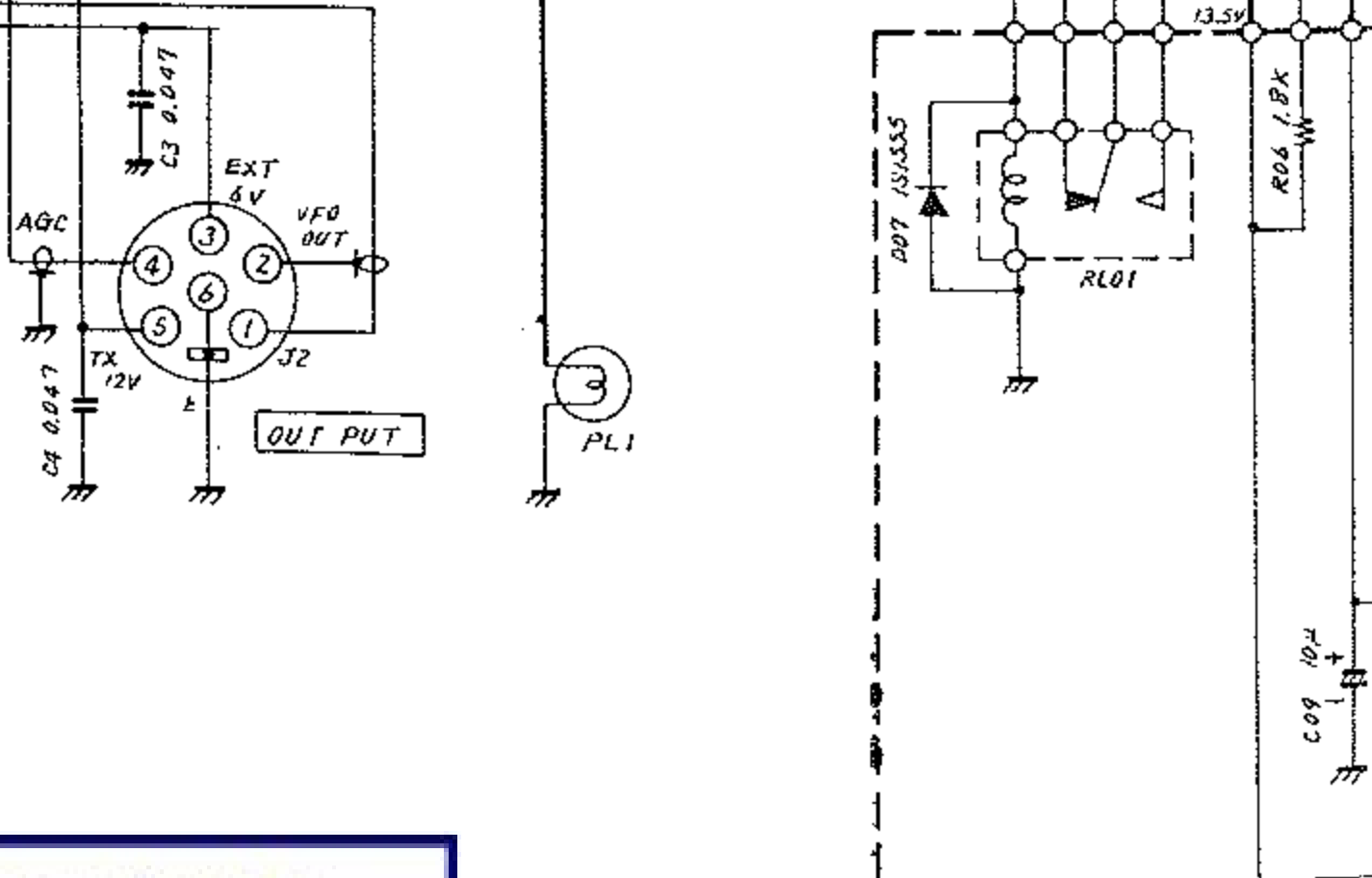
PB-1822 MANUAL SW UNIT (No.6)



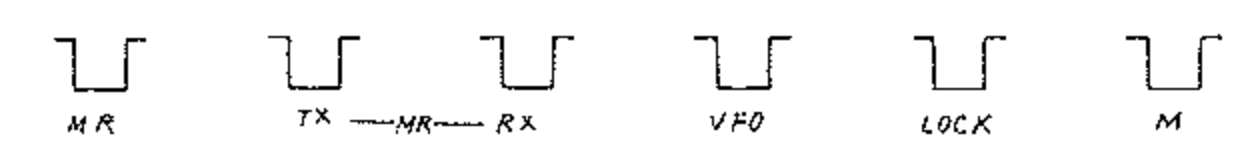
PB-1821 SELECT SW UNIT (No.5)



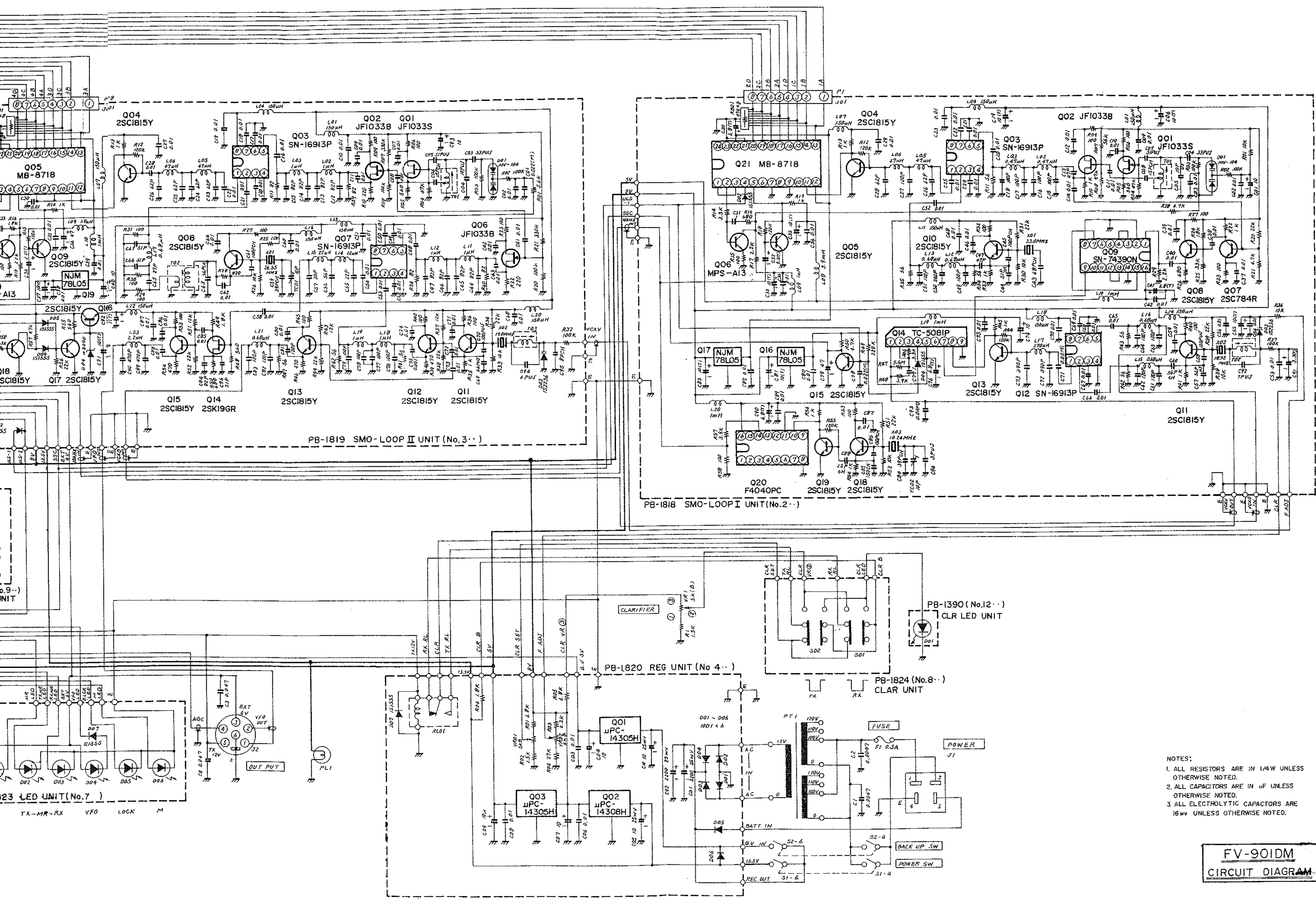
PB-1823 LED UNIT (No.7)



PB-1824 TX LED UNIT (No.8)



Downloaded by RadioAmateur.EU



- NOTES:
1. ALL RESISTORS ARE IN 1/4W UNLESS OTHERWISE NOTED.
 2. ALL CAPACITORS ARE IN μ F UNLESS OTHERWISE NOTED.
 3. ALL ELECTROLYTIC CAPACITORS ARE 16V UNLESS OTHERWISE NOTED.

FV-901DM
CIRCUIT DIAGRAM