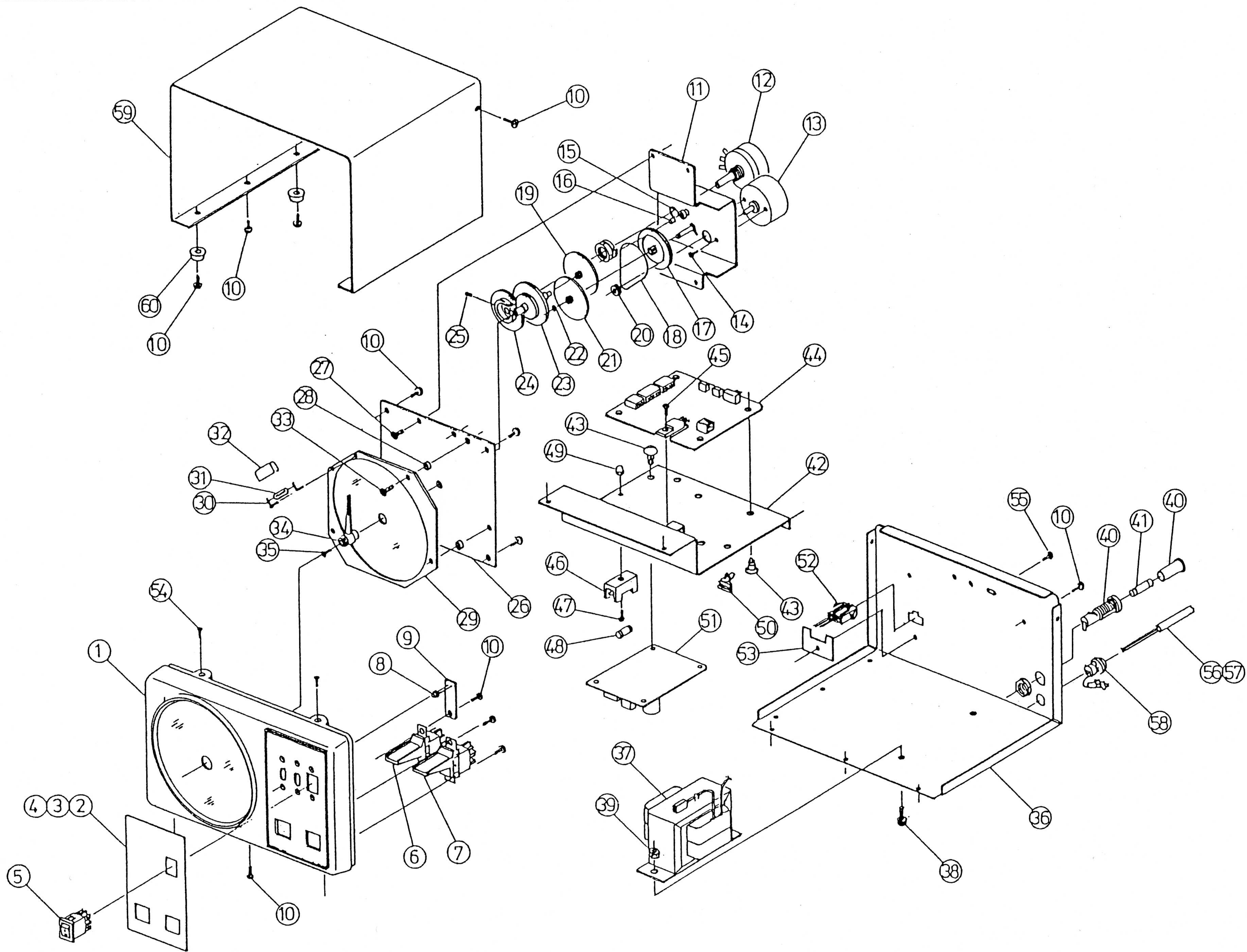


Exploded View of G-450C, G-650C Rotator Unit



Exploded View of G-450C, G-650C, G-1000C Controller Unit

Parts List for Exploded View for Rotator unit				
No.	Part Description	Part No	QTY	
			450C	650C
1	Lower Plate	S8001255	1	1
2	brake Drum	S8001174	1	1
3	Binding Screw	S8000369	2	2
4	Not Used			
5	Motor (U129)	S8100440	1	1
6	Brake Spring Winder	S8000952	1	1
7	M3*3 Set Screw	S5000953	1	1
8	M3*8 Screw	S8001256	4	4
9	Coil Spring	S8001257	1	1
10	O-Ring 4*6	S8001258	1	1
11	Motor Pinion Gear	S8000947	1	1
12	E Ring Retainer	S8000946	1	1
15	Gear Base	S8100317	1	1
16	VR	S8000317	1	1
17	Bearing	S8001260	2	2
18	Gear Assy	S8001261	1	1
19	Gear	S8001262	3	3
20	Gear(G-650A)	S8001263	3	3
21	Upper Plate	S8001264	1	1
22	4*8 Screw	S8001265	3	3
23	Micro Switch	S8100441		2
24	M3*8 Screw	S8000803		2
25	Stopper	S8001266	1	1
26	VR Gear	S8001267	1	1
27	M4*8 Screw	S8001268	1	1
28	VR Gear	S8001269	1	1
29	4*10 Screw	S8001270	4	4
30	Control Gear #1	S8000457	1	1
31	Retainer Ring	S5000393	1	1
32	Gear Shaft #3B	S8001271	1	1
33	Gear Shaft #3A	S8001272	1	1
34	Gear Assy	S8001273	1	1
35	Gear Assy	S8001213	2	2
36	Gear	S8001274	1	1
37	Collar L=10	S8001275	1	1
38	Collar L=4	S8001276	1	1
43	Capacitor 60VAC/1000	Q9000477	1	1
44	3*6 Screw	S8000369	2	2
50	Lower Housing	S8000360	1	1
54	M6*16 Bolt	S8001277	3	3
55	Socket Gasket	S8001502	1	1
56	7-Pin Socket	S8100640	1	1
57	M3*10 Screw	S8001667	4	4
58	Ball Bearing	S8000364	98	98
59	Ring Housing	S8001173	1	1
60	Cover	S8001278	1	1
61	M6*20 Bolt	S8001279	4	4
62	Name Plate(G-450)	S8001280	1	
62	Name Plate(G-650)	S8001281		1
63	Pipe Clamp	S8000224	2	2
64	M8 U Bolt	S8001282	2	2
65	M8 Washer	S8001283	4	4
66	M8 Spring Washer	S8001284	8	8
67	M8 Nut	S8001285	4	4
60	7-Pin Plug		1	1
69	Connector Boot		1	1

Parts List fur Exploded View for Controller unit					
No.	Part Description	Part No.	QTY		
			450C	650C	1000C
1	Front Panel	S8001655	1	1	1
2	Name Plate(G-450C)	S8001656	1		
7	Name Plate(G-650C)	S8001657		1	
4	Name Plate(G-1000C)	S8001658			1
5	Power switch	S8100752	1	1	1
6	L/Rotate Switch(2P)	N7090052	1	1	1
7	R/Rotate Switch(3P)	N7090053	1	1	1
8	Overlap LED	S8100437	1	1	1
9	LED P.C.B.	S8100438	1	1	1
10	3*8 Screw	S8000785	21	21	21
11	Gear Base	S8000811	1	1	1
12	VR Control	S8100317	1	1	1
13	Motor	M2190008	1	1	1
14	M2.6*5 Screw For Motor	S8000788	2	2	2
15	Collar	S8000795	1	1	1
16	3*5.5 Spacer	S8000794	1	1	1
17	Large Pulley	S8000789	1	1	1
18	Rubber Belt	S800073e	1	1	1
19	Gear A1	S8000790	1	1	1
20	Pulley	S8000787	1	1	1
21	Gear #1	S8000790	1	1	1
22	E Ring	S8000791	1	1	1
23	Gear #2	S8000792	1	1	1
24	VR Gear	S8000159	1	1	1
25	M3*3 VR Gear Setscrew	S8000793	1	1	1
26	Indicator Plate	S8000155	1	1	1
27	3*6 Screw	S8000796	4	4	4
28	Spacer	S8000160	3	3	3
29	Dial Scale	S8000161	1	1	1
30	Eyelet	S8000797	2	2	2
31	Lamp	Q1000068	1	1	1
32	Scotch Tape		1	1	1
33	M3*10 Screw	S8000798	3	3	3
34	Indicating Needle	S8000162	1	1	1
35	Indicator Needle Setscrew	S8000799	1	1	1
36	Chassis	S8001689	1	1	1
37	Power Transformer	S8100753	1	1	1
38	M4*10 Screw	S8000800	2	2	2
39	M4 Nut	S8000801	2	2	2
40	Fuse Holder	S810075	1	1	1
41	Fuse(0.5A 5*20)	Q000035	1	1	1
42	Board Chassis	S8001660	1	1	1
43	Board Spacer	S8001661	4	4	8
44	P.C.B. Assy	S8100755	1	1	1
45	M3*8 Screw	S8001669	2	2	2
46	Fuse Holder	S8100756	1	1	
47	M3* Screw	S8001670	1	1	
48	Fuse(3A 5*20)	Q0000025	1	1	
49	M3 Cap Nuts	S8001668	1	1	
50	Cable Clamp	S8991662	1	1	1
51	P.C.B. Assy(G-1000C)	S8100758			1
52	Terminal	S8100757	1	1	1
53	Terminal Stopper Plate	S8001663	1	1	1
54	M3*6 Screw	S8000870	4	4	4
95	M348 Screw	S8001071	1	1	1
56	Power Cord(EU)	S8100759	1	1	1
57	Power Cord(UK)	S8100760			
58	Power Cord Clamp	S8001665	1	1	1
59	Cover	S8001664	1	1	1
60	Rubber Foot	S8000173	4	4	4