



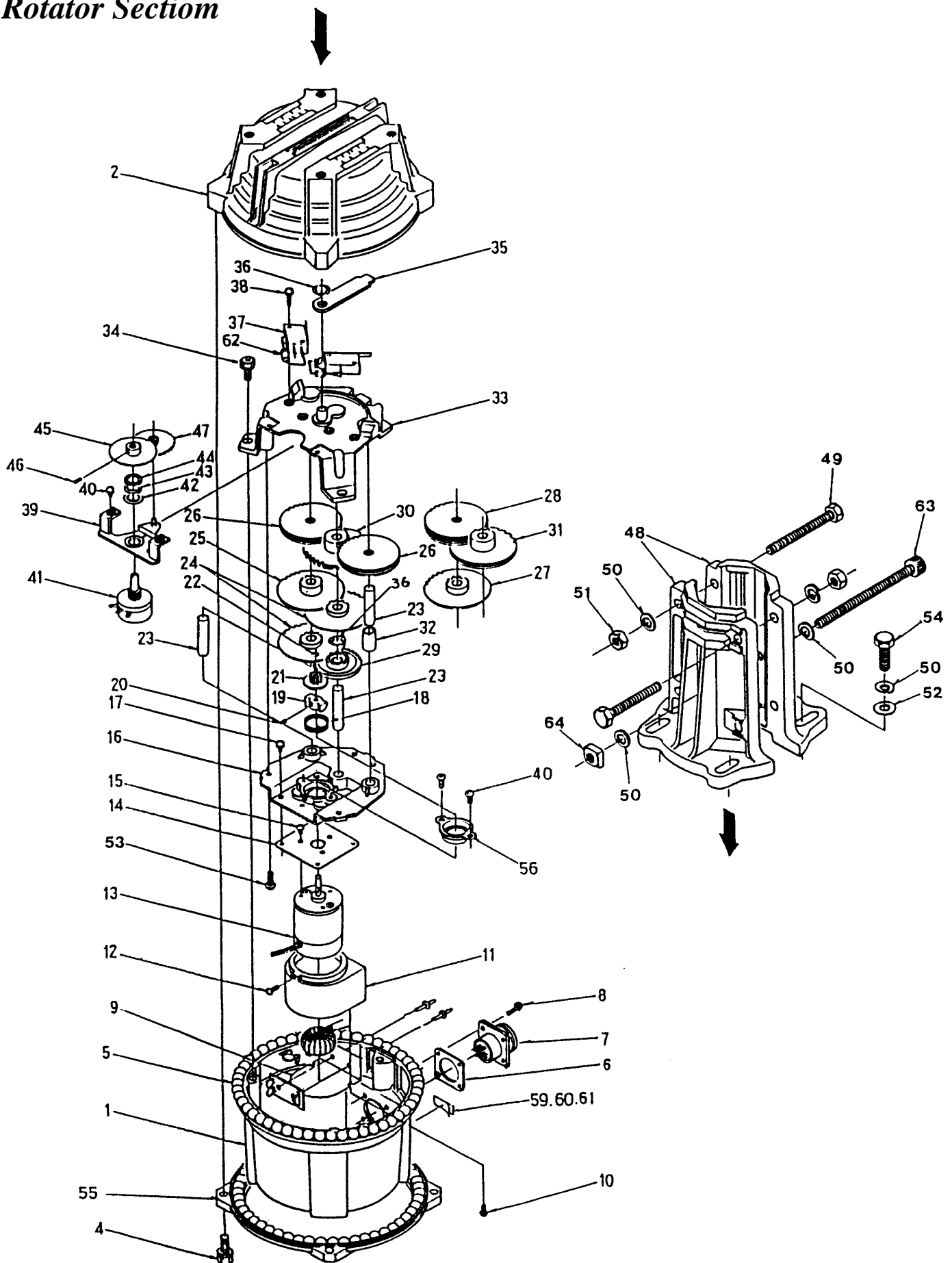
G-800DXA
G-1000DXA

Antenna Rotator & Controller
Technical Information

VERTEX STANDARD CO., LTD.

G-800DXA/-1000DXA Technical Information

Rotator Section



G-800DXA/-1000DXA Technical Information

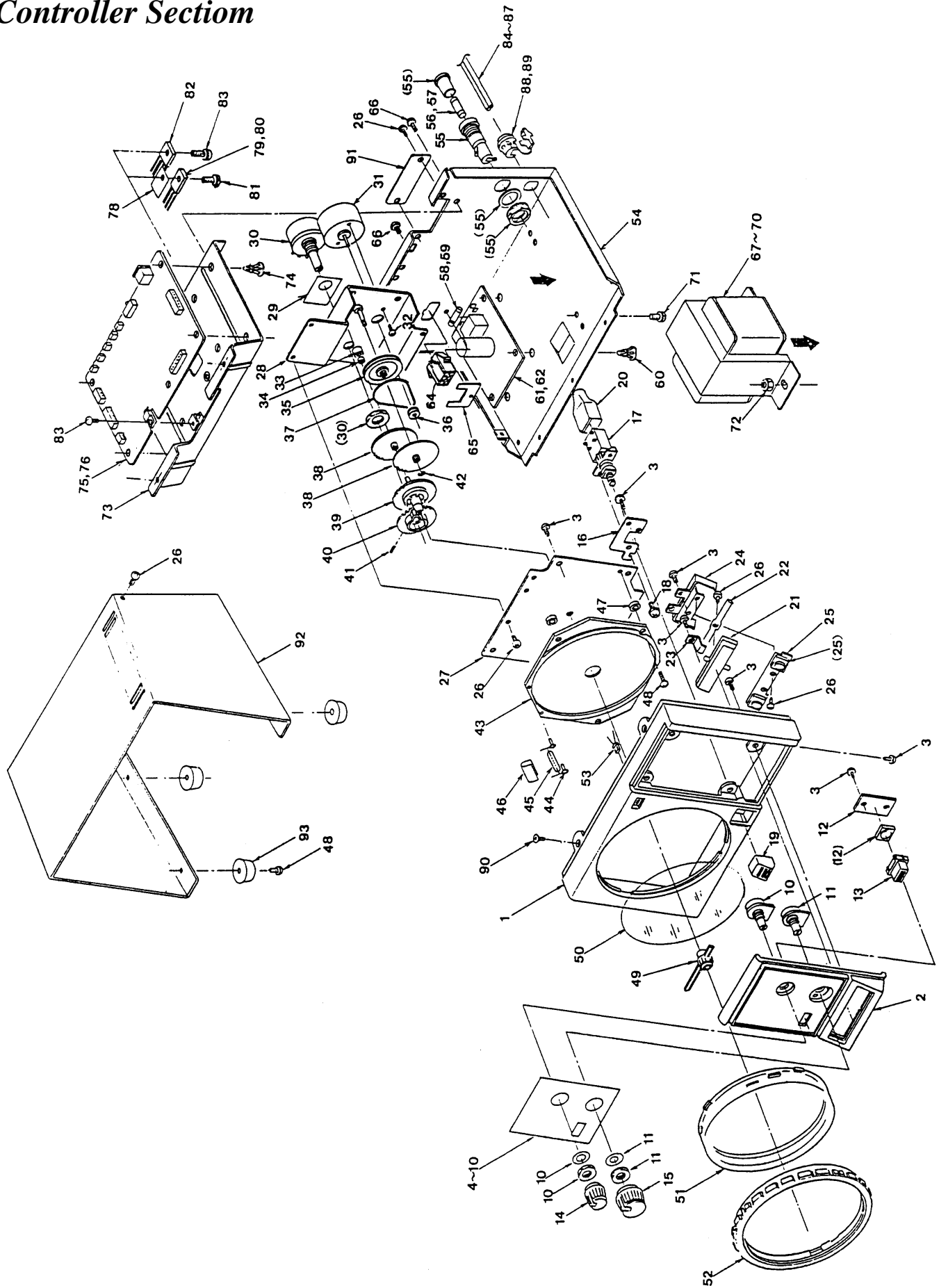
Rotator Section

No.	DESCRIPTION	VX STD P/N
1	Lower Housing	S8001854
2	Upper Housing	S8000361
3	Not Used	–
4	M6X20 Screw	S8000363
5	Ball Bearing	S8000364
6	Socket Gasket	S8001502
7	7-Pin Socket	S8100640
8	M3X10 Screw	S8001667
9	Inner Housing Seal Plate	S8000368
10	Binding Screw	S8000369
11	Inner Housing	S8000370
12	M3X8 Screw	S8000371
13	DC Motor	M2190017
14	Motor Mount Plate	S8000372
15	M3X6 Screw	S8000373
16	Lower Gearbox Plate	S8000374
17	M3X8 Screw	S8000375
18	Coil Spring	S8000376
19	Spring Winder	S8000377
20	M3X3 Setscrew	S8000378
21	Motor Pinion Gear	S8000379
22	2.5 mm "E" Ring	S8000380
23	Gearshaft (include No.33)	–
24	Gear Ass'y A	S8000381
25	Gear Ass'y C	S8000382
26	Sandwich Gear #1 (1000DXA)	S8000383
27	Gear Ass'y B (800DXA)	S8000384
28	Gear Ass'y (800DXA)	S8000385
29	Divider Gear #1	S8000386
30	Divider Gear #2 (1000DXA)	S8000387
31	Divider Gear #2 (800DXA)	S8000388
32	Spacer Bushing	S8000389
33	Upper Gearbox Plate Ass'y	S8000390

No.	DESCRIPTION	VX STD P/N
34	M6X6 Bolt	S8000391
35	Rotation Limiter	S8000392
36	Rotation Ring	S8000393
37	Limit Switch	S8000394
38	M3X16 Screw	S8000395
39	Pot. Mounting Plate	S8000396
40	Binding Screw	S8000397
41	Potentiometer (include No.42, 43, 44)	Q9000420
42	–	–
43	–	–
44	–	–
45	Pot. Gear #1	S8000397
46	Pot. Gear Setscrew	S8000398
47	Pot. Gear #2	S8000399
48	Mast Clamp	S8000400
49	M8X70 Bolt	S8000401
50	8 mm Split Washer	S8000402
51	M8 Nut	S8000403
52	8 mm Washer	S8000404
53	8 mm Split Washer	S8000405
54	M8X25 Bolt	S8000406
55	Ring Housing	S8001173
56	Brake Drum	S8001174
57	–	–
58	–	–
59	–	–
60	–	–
61	–	–
62	–	–
63	M8X95 Scket Head Bolt	S8001175
64	M8 Square Nut	S8001176

G-800DXA/-1000DXA Technical Information

Controller Section



G-800DXA/-1000DXA Technical Information

Controller Section

No.	DESCRIPTION	VX STD P/N
1	Front Panel	S8001809
2	Switch Panel	S8000441
3	3X8 Screw	S8000834
4	Name Plate	—
5	—	—
6	—	—
7	—	—
8	—	—
9	—	—
10	Speed Control VR	S8100836
11	Preset VR	Q9000428
12	Reset SW Assy	S8100837
13	Reset Knob	S8000444
14	Speed Control Knob	S8000442
15	Preset Knob	S8001810
16	Power SW Mounting Plate	S8000449
17	Power SW	S8100838
18	M3X8 Screw	S8000839
19	Power SW Knob	S8000448
20	Insulator Sleeve	S8001811
21	L/R Knob	S8000445
22	Swth Spring	S8000446
23	L/R Knob Fixing Metal	S8000447
24	L/R SW Mounting Plate	S8000864
25	L/R SW Assy	S8100839
26	3X6 Screw	S8000865
27	Dial Mounting Plate	S8000454
28	Gear Base	S8000811
29	Insulator Sheet	S8001812
30	VR Control	S8100317
31	Motor	M2190008
32	M2.6X5 Screw	S8000788
33	Collar	S8000795
34	3X5.5 Spacer	S8000794
35	Large Pulley	S8000789
36	Pulley	S8000787
37	Rubber Belt	S8000738
38	Gear #1	S8000457
39	Gear #2	S8000456
40	VR Gear	S8000159
41	M3X3 Set Screw	S8000793
42	"E" Ring	S8000791
43	Dail Scale	S8000452
44	Eyelet	S8000797
45	Lamp	Q1000068
46	Scotch Tape	S8001813
47	Spacer	S8000167

No.	DESCRIPTION	VX STD P/N
48	3X10 Screw	Q0000025
49	Indicator Needle	S8000455
50	Direction Sheet	S8000473
51	Clear Cover	S8000451
52	Bezel	S8000450
53	LED	G2090418
54	Chassis	S8000870
55	Fuse Holder	S8100754
56	Fuse (125V 1A)	S8100847
57	—	—
58	Fuse (3A)	Q0000025
59	—	—
60	Board Spacer #1	S8001661
61	Power PCB Assy	S8100840
62	—	—
63	—	—
64	Terminal	S8100757
65	Terminal Stopper Plate	S8001663
66	3X8 Screw	S8001814
67	—	—
68	Power Transformer	S8100848
69	—	—
70	Power Transformer	S8100849
71	M4X10 Screw	S8000847
72	M4 Nut	S8000848
73	Heat Sink Chassis	S8001815
74	Board Spacer #2	S6000281
75	Main PCB Assy	S8100842
76	—	—
77	—	—
78	Insulator Sheet	S8001816
79	Transistor	G3351980R
80	—	G3351200R
81	M3X8 Screw	S8001817
82	Bridge Diode	G2090437
83	M3X8 Screw	S8001817
84	—	—
85	—	—
86	Power Cord (EU)	S8100850
87	Power Cord (UK)	S8100851
88	Power Cord Clamp A	S8001819
89	Power Cord Clamp B	S8001820
90	M4X6 Screw	S8001818
91	Rear Cover	S8001821
92	Cover	S8001822
93	Robber Foot	S8000472

G-800DXA/-1000DXA Technical Information

Controller Section

G-800DXA/-1000DXA Technical Information

Parts List

REF.	DESCRIPTION	VALUE	V/W	TOL.	MFR'S DESIG	VXSTD P/N	VERS.	LOT.
				*** MAIN	CHASSIS ***			
C 1	CERAMIC CAP.	0.01uF	50V	F	DD106F103Z50	K13179008		1-
D 1	LED				GL8PR21	G2090395		1
D 2	DIODE				KBU6D	G2090437		1
FH 1	FUSE HOLDER				FH-B02	S8101173		1
J 1	CONNECTOR ASSY				ELP-04NV	S8101183		1
MO 1	MOTOR				RF-510T-1260 D/V	S8101174		1
P 2	CONNECTOR ASSY					S8101183		1
P 3	CONNECTOR ASSY					S8101184		1
P 4	CONNECTOR ASSY					S8101185		1
P 5	CONNECTOR ASSY					S8101186		1
P 6	CONNECTOR ASSY					S8101187		1
P 7	CONNECTOR ASSY					S8101190		1
(P8)	CONNECTOR ASSY					S8101186		1
P 9	CONNECTOR ASSY					S8101188		1
P 10	CONNECTOR ASSY					S8101189		1
(P 11)	CONNECTOR ASSY					S8101190		1
(P 12)	CONNECTOR ASSY					S8101190		1
PL 1	LAMP					Q1000070		1
PT 1	POWER TRANS				KT-28-E-3	S8101181		1
Q 1	TRANSISTOR				2SC5198	S8101180		1
S 1	POWER SWITCH				JPP-2295	S8101175		1
S 2	PRESET SWITCH				THC10902	S8101176		1
S 3	LEFT SWITCH				THC10902	S8101176		1
S 4	RIGHT SWITCH				THC10902	S8101176		1
VR 1	POT.				RA28Y500B	S8101177		1
VR 2	PRESET POT.				VN16YA-15K (500)	S8101178		1
VR 3	SPEED POT.				VN16YA-15K (1.5K)	S8101179		1
				*** CNTL Unit ***				
	PCB with Components					S8101193		1
C 1001	CHIP CAP.	0.001uF	50V	B	GRM40B102K50PT	K22170825		1
C 1002	CHIP CAP.	0.001uF	50V	B	GRM40B102K50PT	K22170825		1
C 1003	CHIP CAP.	0.001uF	50V	B	GRM40B102K50PT	K22170825		1
C 1004	CHIP CAP.	0.001uF	50V	B	GRM40B102K50PT	K22170825		1
C 1005	AL.ELECTRO.CAP.	470uF	35V		RE2-35V471M 470UF	K40169026		1
C 1006	CHIP CAP.	0.01uF	50V	B	GRM40B103K50PT	K22170826		1
C 1007	AL.ELECTRO.CAP.	100uF	25V		RE2-25V101M 100UF	K40149028		1
C 1008	CHIP CAP.	0.01uF	50V	B	GRM40B103K50PT	K22170826		1
C 1009	CHIP TA.CAP.	10uF	16V		TEMSVB21C106M-8R	K78120025		1
C 1010	CHIP CAP.	0.01uF	50V	B	GRM40B103K50PT	K22170826		1
C 1011	CHIP TA.CAP.	10uF	16V		TEMSVB21C106M-8R	K78120025		1
C 1012	CHIP CAP.	0.1uF	25V	F	GRM40F104Z25PT	K22141005		1
C 1013	CHIP CAP.	0.1uF	25V	F	GRM40F104Z25PT	K22141005		1
C 1014	CHIP CAP.	0.1uF	25V	F	GRM40F104Z25PT	K22141005		1
C 1015	CHIP CAP.	0.1uF	25V	F	GRM40F104Z25PT	K22141005		1
C 1016	CHIP CAP.	0.1uF	25V	F	GRM40F104Z25PT	K22141005		1
C 1017	CHIP CAP.	0.01uF	50V	B	GRM40B103K50PT	K22170826		1
C 1018	CHIP TA.CAP.	4.7uF	16V		TEMSVA1C475M-8R	K78120031		1
C 1019	CHIP CAP.	0.01uF	50V	B	GRM40B103K50PT	K22170826		1
C 1020	CHIP CAP.	0.01uF	50V	B	GRM40B103K50PT	K22170826		1
C 1022	CHIP CAP.	20pF	50V	CH	GRM40CH200J50PT	K22170218		1
C 1023	CHIP CAP.	0.01uF	50V	B	GRM40B103K50PT	K22170826		1
C 1024	CHIP CAP.	0.01uF	50V	B	GRM40B103K50PT	K22170826		1
C 1025	CHIP CAP.	20pF	50V	CH	GRM40CH200J50PT	K22170218		1
C 1026	CHIP CAP.	20pF	50V	CH	GRM40CH200J50PT	K22170218		1
C 1027	CHIP CAP.	0.047uF	50V	B	GRM40B473M50PT	K22170823		1
C 1028	CHIP CAP.	0.01uF	50V	B	GRM40B103K50PT	K22170826		1
C 1029	CHIP CAP.	20pF	50V	CH	GRM40CH200J50PT	K22170218		1
C 1030	CHIP CAP.	0.01uF	50V	B	GRM40B103K50PT	K22170826		1
C 1031	CHIP CAP.	20pF	50V	CH	GRM40CH200J50PT	K22170218		1
C 1032	CHIP CAP.	0.047uF	50V	B	GRM40B473M50PT	K22170823		1
C 1033	CHIP CAP.	20pF	50V	CH	GRM40CH200J50PT	K22170218		1
C 1034	CHIP CAP.	0.01uF	50V	B	GRM40B103K50PT	K22170826		1
C 1035	CHIP CAP.	0.047uF	50V	B	GRM40B473M50PT	K22170823		1

G-800DXA/-1000DXA Technical Information

Parts List

REF.	DESCRIPTION	VALUE	V/W	TOL.	MFR'S DESIG	VXSTD P/N	VERS.	LOT.
C 1036	CHIP CAP.	0.047uF	50V	B	GRM40B473M50PT	K22170823		1
C 1037	CHIP CAP.	20pF	50V	CH	GRM40CH200J50PT	K22170218		1
C 1039	CHIP CAP.	0.01uF	50V	B	GRM40B103K50PT	K22170826		1
C 1040	CHIP CAP.	0.01uF	50V	B	GRM40B103K50PT	K22170826		1
C 1041	CHIP CAP.	0.01uF	50V	B	GRM40B103K50PT	K22170826		1
C 1042	CHIP CAP.	0.01uF	50V	B	GRM40B103K50PT	K22170826		1
C 1043	CHIP TA.CAP.	10uF	16V		TEMSVB21C106M-8R	K78120025		1
C 1044	CHIP CAP.	0.01uF	50V	B	GRM40B103K50PT	K22170826		1
C 1045	CHIP CAP.	0.01uF	50V	B	GRM40B103K50PT	K22170826		1
C 1046	CHIP CAP.	20pF	50V	CH	GRM40CH200J50PT	K22170218		1
C 1047	CHIP CAP.	0.01uF	50V	B	GRM40B103K50PT	K22170826		1
C 1048	CHIP CAP.	0.01uF	50V	B	GRM40B103K50PT	K22170826		1
C 1049	CHIP CAP.	0.01uF	50V	B	GRM40B103K50PT	K22170826		1
C 1050	CHIP CAP.	0.01uF	50V	B	GRM40B103K50PT	K22170826		1
C 1051	CHIP CAP.	0.01uF	50V	B	GRM40B103K50PT	K22170826		1
C 1052	CHIP CAP.	20pF	50V	CH	GRM40CH200J50PT	K22170218		1
C 1053	CHIP CAP.	0.01uF	50V	B	GRM40B103K50PT	K22170826		1
C 1054	CHIP CAP.	0.01uF	50V	B	GRM40B103K50PT	K22170826		1
C 1055	CHIP CAP.	0.01uF	50V	B	GRM40B103K50PT	K22170826		1
C 1071	CHIP TA.CAP.	4.7uF	16V		TEMSVA1C475M-8R	K78120031		1
C 1072	CHIP TA.CAP.	4.7uF	16V		TEMSVA1C475M-8R	K78120031		1
C 1073	CHIP CAP.	0.01uF	50V	B	GRM40B103K50PT	K22170826		1
C 1074	CHIP TA.CAP.	10uF	16V		TEMSVB21C106M-8R	K78120025		1
C 1075	CHIP CAP.	0.01uF	50V	B	GRM40B103K50PT	K22170826		1
C 1076	CHIP TA.CAP.	4.7uF	16V		TEMSVA1C475M-8R	K78120031		1
C 1077	CHIP CAP.	0.01uF	50V	B	GRM40B103K50PT	K22170826		1
C 1078	CHIP CAP.	0.01uF	50V	B	GRM40B103K50PT	K22170826		1
C 1079	CHIP CAP.	0.01uF	50V	B	GRM40B103K50PT	K22170826		1
C 1080	CHIP CAP.	0.01uF	50V	B	GRM40B103K50PT	K22170826		1
C 1081	CHIP TA.CAP.	1uF	16V		TMCSA1C105MTR	K78120023		1
C 1082	CHIP CAP.	0.01uF	50V	B	GRM40B103K50PT	K22170826		1
D 1001	DIODE				W02G	G2090436		1
D 1002	DIODE				1SR154-400 TE25	G2070684		1
D 1003	DIODE				1SR154-400 TE25	G2070684		1
D 1004	DIODE				1SR154-400 TE25	G2070684		1
D 1005	DIODE				DA204K T146	G2070388		1
D 1007	DIODE				DAN202K T146	G2070182		1
D 1009	DIODE				1SS355 TE-17	G2070470		1
D 1010	DIODE				1SS355 TE-17	G2070470		1
D 1011	DIODE				DAN202K T146	G2070182		1
D 1013	DIODE				DA204K T146	G2070388		1
D 1015	DIODE				DAN202K T146	G2070182		1
D 1016	DIODE				DAN202K T146	G2070182		1
D 1019	DIODE				1SS355 TE-17	G2070470		1
D 1020	DIODE				DA204K T146	G2070388		1
D 1022	DIODE				DAN202K T146	G2070182		1
D 1024	DIODE				1SR154-400 TE25	G2070684		1
D 1025	DIODE				1SR154-400 TE25	G2070684		1
D 1026	DIODE				DA204K T146	G2070388		1
D 1028	DIODE				U1ZB8.2(TE12R)	G2070686		1
D 1035	DIODE				1SS355 TE-17	G2070470		1
D 1036	DIODE				1SS355 TE-17	G2070470		1
D 1037	DIODE				1SR154-400 TE25	G2070684		1
D 1038	DIODE				1SR154-400 TE25	G2070684		1
J 1001	CONNECTOR				53258-0210	P0091197		1
J 1002	CONNECTOR				SC25-08WL	P0090715		1
J 1004	CONNECTOR				TCS7567-01-401	P1091071		1
J 1005	CONNECTOR				SC25-05WL	P0090638		1
J 1006	CONNECTOR				SC25-09WS	P0090628		1
J 1010	CONNECTOR				SC25-07WL	P0090714		1
L 1001	M.RFC	220uH			FLC32T-221J	L1690231		1
Q 1001	IC				UPC7808AHF	G1092258		1
Q 1002	IC				TA8409F(EL)	G1092584		1
Q 1003	IC				UPD4001BG-T2	G1091025		1
Q 1004	TRANSISTOR				DTA143EK T146	G3070010		1
Q 1005	TRANSISTOR				DTC114EK T146	G3070002		1

G-800DXA/-1000DXA Technical Information

Parts List

REF.	DESCRIPTION	VALUE	V/W	TOL.	MFR'S DESIG	VXSTD P/N	VERS.	LOT.
Q 1006	TRANSISTOR				2SA1179M6-TA	G3111797F		1
Q 1007	IC				NJM2902M(TE1)	G1093092		1
Q 1008	IC				NJM2902M(TE1)	G1093092		1
Q 1009	IC				NJM2904M(TE2)	G1093091		1
Q 1010	PHOTO COUPLER				TLP521-2(GB)	G0090032		1
Q 1012	PHOTO COUPLER				TLP521-2(GB)	G0090032		1
Q 1014	TRANSISTOR				DTC114EK T146	G3070002		1
Q 1015	TRANSISTOR				DTA143EK T146	G3070010		1
Q 1016	TRANSISTOR				DTA143EK T146	G3070010		1
Q 1017	TRANSISTOR				DTA143EK T146	G3070010		1
Q 1019	TRANSISTOR				DTD143TK T146	G3070250		1
Q 1020	TRANSISTOR				DTD143TK T146	G3070250		1
Q 1021	TRANSISTOR				DTC114EK T146	G3070002		1
Q 1022	TRANSISTOR				DTC124TK T146	G3070031		1
Q 1023	TRANSISTOR				DTC124TK T146	G3070031		1
Q 1033	IC				UPD4001BG-T2	G1091025		1
Q 1034	IC				UPD4011BG-T2	G1091026		1
Q 1035	IC				UPD4011BG-T2	G1091026		1
Q 1036	IC				UPD4011BG-T2	G1091026		1
Q 1037	TRANSISTOR				DTC114EK T146	G3070002		1
Q 1038	IC				UPC7812AHF	G1092257		1
Q 1039	IC				NJM2904M(TE2)	G1093091		1
R 1001	CHIP RES.	1ohm	1W	5%	RMC1 1R0JTE	J24305010		1
R 1002	CHIP RES.	2.2kohm	1/10W	5%	RMC1/10T 222J	J24205222		1
R 1003	CHIP RES.	8.2kohm	1/10W	5%	RMC1/10T 822J	J24205822		1
R 1004	CHIP RES.	22ohm	1/2W	5%	RMC1/2 220JCTP	J24275220		1
R 1005	CHIP RES.	10kohm	1/10W	5%	RMC1/10T 103J	J24205103		1
R 1006	CHIP RES.	68kohm	1/10W	5%	RMC1/10T 683J	J24205683		1
R 1008	CHIP RES.	10kohm	1/10W	5%	RMC1/10T 103J	J24205103		1
R 1010	CHIP RES.	68kohm	1/10W	5%	RMC1/10T 683J	J24205683		1
R 1011	CHIP RES.	100kohm	1/10W	5%	RMC1/10T 104J	J24205104		1
R 1012	CHIP RES.	100ohm	1/4W	5%	RMC1/4 101JATP	J24245101		1
R 1013	CHIP RES.	100ohm	1/4W	5%	RMC1/4 101JATP	J24245101		1
R 1014	CHIP RES.	4.7kohm	1/10W	5%	RMC1/10T 472J	J24205472		1
R 1017	CHIP RES.	10kohm	1/10W	5%	RMC1/10T 103J	J24205103		1
R 1018	CHIP RES.	51kohm	1/10W	5%	RMC1/10T 513J	J24205513		1
R 1019	CHIP RES.	22kohm	1/10W	5%	RMC1/10T 223J	J24205223		1
R 1020	CHIP RES.	47kohm	1/10W	5%	RMC1/10T 473J	J24205473		1
R 1021	CHIP RES.	47kohm	1/10W	5%	RMC1/10T 473J	J24205473		1
R 1022	CHIP RES.	47kohm	1/10W	5%	RMC1/10T 473J	J24205473		1
R 1023	CHIP RES.	15kohm	1/10W	5%	RMC1/10T 153J	J24205153		1
R 1024	CHIP RES.	3.9kohm	1/10W	5%	RMC1/10T 392J	J24205392		1
R 1025	CHIP RES.	47kohm	1/10W	5%	RMC1/10T 473J	J24205473		1
R 1026	CHIP RES.	470ohm	1/10W	5%	RMC1/10T 471J	J24205471		1
R 1027	CHIP RES.	47kohm	1/10W	5%	RMC1/10T 473J	J24205473		1
R 1028	CHIP RES.	470ohm	1/10W	5%	RMC1/10T 471J	J24205471		1
R 1029	CHIP RES.	1kohm	1/4W	5%	RMC1/4 102JATP	J24245102		1
R 1030	CHIP RES.	270ohm	1/10W	5%	RMC1/10T 271J	J24205271		1
R 1031	CHIP RES.	100kohm	1/10W	5%	RMC1/10T 104J	J24205104		1
R 1032	CHIP RES.	2.2kohm	1/10W	5%	RMC1/10T 222J	J24205222		1
R 1033	CHIP RES.	680ohm	1/4W	5%	RMC1/4 681JATP	J24245681		1
R 1034	CHIP RES.	1Mohm	1/10W	5%	RMC1/10T 105J	J24205105		1
R 1035	CHIP RES.	6.8kohm	1/10W	5%	RMC1/10T 682J	J24205682		1
R 1036	CHIP RES.	1Mohm	1/10W	5%	RMC1/10T 105J	J24205105		1
R 1037	CHIP RES.	47kohm	1/10W	5%	RMC1/10T 473J	J24205473		1
R 1038	CHIP RES.	220kohm	1/10W	5%	RMC1/10T 224J	J24205224		1
R 1039	CHIP RES.	220kohm	1/10W	5%	RMC1/10T 224J	J24205224		1
R 1040	CHIP RES.	2.2kohm	1/10W	5%	RMC1/10T 222J	J24205222		1
R 1041	CHIP RES.	22kohm	1/10W	5%	RMC1/10T 223J	J24205223		1
R 1042	CHIP RES.	390ohm	1/10W	5%	RMC1/10T 391J	J24205391		1
R 1043	CHIP RES.	220kohm	1/10W	5%	RMC1/10T 224J	J24205224		1
R 1044	CHIP RES.	220kohm	1/10W	5%	RMC1/10T 224J	J24205224		1
R 1045	CHIP RES.	15kohm	1/10W	5%	RMC1/10T 153J	J24205153		1
R 1046	CHIP RES.	1Mohm	1/10W	5%	RMC1/10T 105J	J24205105		1
R 1047	CHIP RES.	27kohm	1/10W	5%	RMC1/10T 273J	J24205273		1
R 1048	CHIP RES.	680ohm	1/4W	5%	RMC1/4 681JATP	J24245681		1

G-800DXA/-1000DXA Technical Information

Parts List

REF.	DESCRIPTION	VALUE	V/W	TOL.	MFR'S DESIG	VXSTD P/N	VERS.	LOT.
R 1049	CHIP RES.	1Mohm	1/10W	5%	RMC1/10T 105J	J24205105		1
R 1050	CHIP RES.	2.2kohm	1/10W	5%	RMC1/10T 222J	J24205222		1
R 1051	CHIP RES.	100kohm	1/10W	5%	RMC1/10T 104J	J24205104		1
R 1052	CHIP RES.	47kohm	1/10W	5%	RMC1/10T 473J	J24205473		1
R 1053	CHIP RES.	47kohm	1/10W	5%	RMC1/10T 473J	J24205473		1
R 1054	CHIP RES.	56kohm	1/10W	5%	RMC1/10T 563J	J24205563		1
R 1055	CHIP RES.	10kohm	1/10W	5%	RMC1/10T 103J	J24205103		1
R 1058	CHIP RES.	68kohm	1/10W	5%	RMC1/10T 683J	J24205683		1
R 1059	CHIP RES.	10kohm	1/10W	5%	RMC1/10T 103J	J24205103		1
R 1060	CHIP RES.	68kohm	1/10W	5%	RMC1/10T 683J	J24205683		1
R 1061	CHIP RES.	10kohm	1/10W	5%	RMC1/10T 103J	J24205103		1
R 1062	CHIP RES.	10kohm	1/10W	5%	RMC1/10T 103J	J24205103		1
R 1063	CHIP RES.	10kohm	1/10W	5%	RMC1/10T 103J	J24205103		1
R 1066	CHIP RES.	10kohm	1/10W	5%	RMC1/10T 103J	J24205103		1
R 1071	CHIP RES.	10kohm	1/10W	5%	RMC1/10T 103J	J24205103		1
R 1072	CHIP RES.	220kohm	1/10W	5%	RMC1/10T 224J	J24205224		1
R 1073	CHIP RES.	10kohm	1/10W	5%	RMC1/10T 103J	J24205103		1
R 1074	CHIP RES.	470ohm	1/10W	5%	RMC1/10T 471J	J24205471		1
R 1075	CHIP RES.	47kohm	1/10W	5%	RMC1/10T 473J	J24205473		1
R 1076	CHIP RES.	47kohm	1/10W	5%	RMC1/10T 473J	J24205473		1
R 1077	CHIP RES.	47kohm	1/10W	5%	RMC1/10T 473J	J24205473		1
R 1078	CHIP RES.	39kohm	1/10W	5%	RMC1/10T 393J	J24205393		1
R 1079	CHIP RES.	4.7kohm	1/10W	5%	RMC1/10T 472J	J24205472		1
R 1080	CHIP RES.	220ohm	1/4W	5%	RMC1/4 221JATP	J24245221		1
R 1081	CHIP RES.	10kohm	1/10W	5%	RMC1/10T 103J	J24205103		1
R 1086	CHIP RES.	4.7kohm	1/10W	5%	RMC1/10T 472J	J24205472		1
R 1087	CHIP RES.	5.6kohm	1/10W	5%	RMC1/10T 562J	J24205562		1
R 1089	CHIP RES.	100kohm	1/10W	5%	RMC1/10T 104J	J24205104		1
R 1090	CHIP RES.	470ohm	1/10W	5%	RMC1/10T 471J	J24205471		1
R 1091	CHIP RES.	3.3kohm	1/10W	5%	RMC1/10T 332J	J24205332		1
R 1092	CHIP RES.	5.6kohm	1/10W	5%	RMC1/10T 562J	J24205562		1
R 1093	CHIP RES.	2.2kohm	1/10W	5%	RMC1/10T 222J	J24205222		1
R 1094	CHIP RES.	100kohm	1/10W	5%	RMC1/10T 104J	J24205104		1
R 1096	CHIP RES.	220kohm	1/10W	5%	RMC1/10T 224J	J24205224		1
R 1097	CHIP RES.	8.2kohm	1/10W	5%	RMC1/10T 822J	J24205822		1
R 1122	CHIP RES.	10kohm	1/10W	5%	RMC1/10T 103J	J24205103		1
R 1123	CHIP RES.	470ohm	1/10W	5%	RMC1/10T 471J	J24205471		1
R 1124	CHIP RES.	47kohm	1/10W	5%	RMC1/10T 473J	J24205473		1
R 1125	CHIP RES.	470ohm	1/10W	5%	RMC1/10T 471J	J24205471		1
R 1126	CHIP RES.	1kohm	1/10W	5%	RMC1/10T 102J	J24205102		1
R 1127	CHIP RES.	56kohm	1/10W	5%	RMC1/10T 563J	J24205563		1
R 1128	CHIP RES.	1kohm	1/10W	5%	RMC1/10T 102J	J24205102		1
R 1131	CHIP RES.	0ohm	1/10W	5%	RMC1/10T 000J	J24205000		1
R 1135	CHIP RES.	1.2kohm	1/8W	5%	RMC1/8T 122J	J24215122		1
R 1136	CHIP RES.	1kohm	1/8W	5%	RMC1/8T 102J	J24215102		1
S 1001	SLIDE SWITCH				SSSU112-P06N1	N6090104		1
VR1001	POT.	10kohm			EVN-D2AA03B14 10KB	J50781103		1
VR1002	POT.	10kohm			EVN-D2AA03B14 10KB	J50781103		1
VR1003	POT.	10kohm			EVN-D2AA03B14 10KB	J50781103		1
VR1004	POT.	10kohm			EVN-D2AA03B14 10KB	J50781103		1
VR1005	POT.	10kohm			EVN-D2AA03B14 10KB	J50781103		1
VR1006	POT.	10kohm			EVN-D8AA03B14 10K	S8100220		1
VR1007	POT.	10kohm			EVN-D8AA03B14 10K	S8100220		1
				*** PS UNIT ***				
	PCB with Components					S8101194		
C 1056	CERAMIC CAP.	0.001uF	100V	CH	GRM42-6CH102J100PT	K22201202		1
C 1057	CERAMIC CAP.	0.001uF	100V	CH	GRM42-6CH102J100PT	K22201202		1
C 1058	CERAMIC CAP.	0.001uF	100V	CH	GRM42-6CH102J100PT	K22201202		1
C 1059	CERAMIC CAP.	0.001uF	100V	CH	GRM42-6CH102J100PT	K22201202		1
C 1060	AL.ELECTRO.CAP.	1000uF	63V		RJ3-63V102M 1000UF	K40189009		1
C 1061	CHIP CAP.	0.01uF	50V	B	GRM40B103K50PT	K22170826		1
C 1062	CHIP CAP.	0.01uF	50V	B	GRM40B103K50PT	K22170826		1
C 1063	AL.ELECTRO.CAP.	22uF	50V		RE2-50V220M 22UF	K40179042		1
C 1064	CHIP CAP.	0.1uF	50V	F	GRM42-6F104Z50PT	K22172009		1

G-800DXA/-1000DXA Technical Information

Parts List

REF.	DESCRIPTION	VALUE	V/W	TOL.	MFR'S DESIG	VXSTD P/N	VERS.	LOT.
C 1065	CERAMIC CAP.	0.0047uF	500V	B	RQC12B472K-L46AU	K10279024		1
D 1029	DIODE				U1ZB8.2(TE12R)	G2070686		1
D 1030	DIODE				U1ZB22(TE12R)	G2070712		1
D 1031	DIODE				1SR154-400 TE25	G2070684		1
D 1032	DIODE				1SR154-400 TE25	G2070684		1
FH1001	FUSE CLIP				7157(20MM)	P2000062		1
J 1003	CONNECTOR				5273-03A	P0090237		1
J 1007	CONNECTOR				53258-0710	P0091242		1
J 1009	CONNECTOR				53258-0210	P0091197		1
J 1011	CONNECTOR				SC25-07WS	P0090626		1
Q 1024	TRANSISTOR				2SB1181-TLQ	G3070068		1
Q 1025	TRANSISTOR				2SC2812L6-TA	G3328127F		1
Q 1026	TRANSISTOR				2SC2812L6-TA	G3328127F		1
Q 1027	TRANSISTOR				2SC2812L6-TA	G3328127F		1
R 1098	METAL FILM RES.	330ohm	2W	10%	RS2B 2W K 330	J20336331		1
R 1099	CHIP RES.	4.7kohm	1/2W	5%	RMC1/2 472JCTP	J24275472		1
R 1100	CHIP RES.	1.5kohm	1/2W	5%	RMC1/2 152JCTP	J24275152		1
R 1101	CHIP RES.	180ohm	1/10W	5%	RMC1/10T 181J	J24205181		1
R 1102	CHIP RES.	1.2kohm	1/8W	5%	RMC1/8T 122J	J24215122		1
R 1103	CHIP RES.	220ohm	1/8W	5%	RMC1/8T 221J	J24215221		1
R 1104	CHIP RES.	10kohm	1/10W	5%	RMC1/10T 103J	J24205103		1
R 1105	CHIP RES.	1kohm	1/4W	5%	RMC1/4 102JATP	J24245102		1
R 1106	CHIP RES.	6.8kohm	1/8W	5%	RMC1/8T 682J	J24215682		1
R 1107	CHIP RES.	2.2kohm	1/8W	5%	RMC1/8T 222J	J24215222		1
R 1108	CHIP RES.	10kohm	1/4W	5%	RMC1/4 103JATP	J24245103		1
R 1109	CHIP RES.	1kohm	1/10W	5%	RMC1/10T 102J	J24205102		1
R 1133	CHIP RES.	1kohm	1/8W	5%	RMC1/8T 102J	J24215102		1
RL1001	RELAY		DC12V		FBR522ND12-W DC12V	M1190147		1

