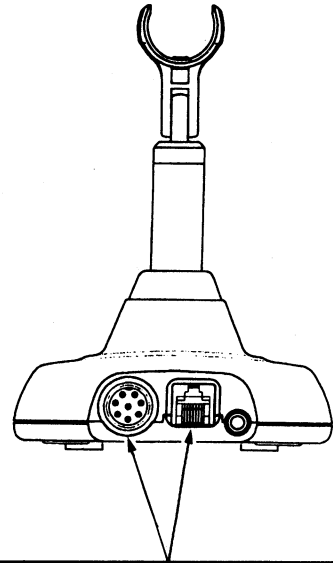
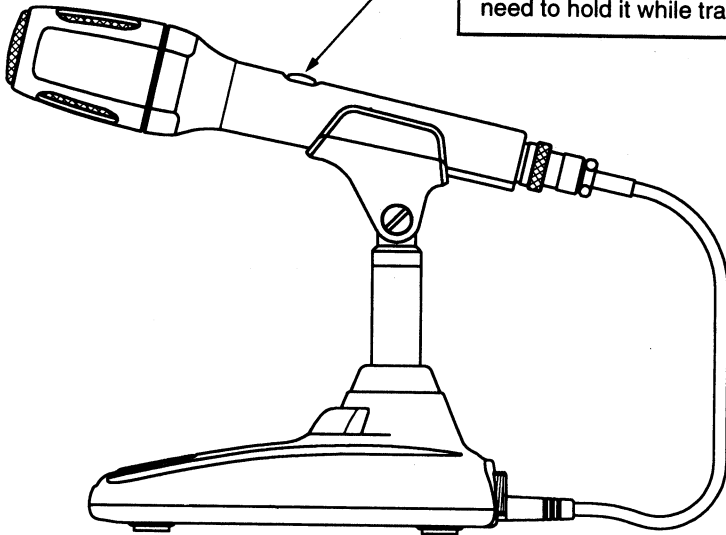


### Auxiliary PTT Button

Use this button to key the transmitter when using the microphone separate from the base. It functions as a toggle: press it once to transmit, and again to receive (you don't need to hold it while transmitting).



### Transceiver Jacks

Connect the supplied cable to the **MIC** jack on the transceiver, and connect the other end of the cable to whichever of these jacks is appropriate (do not use both of these jacks at the same time).

### Main PTT Switch

Press and hold this switch to talk, and release to receive.

### PTT Lock Switch

Press to lock the PTT on (for long transmissions). Press it again to release the PTT to receive.

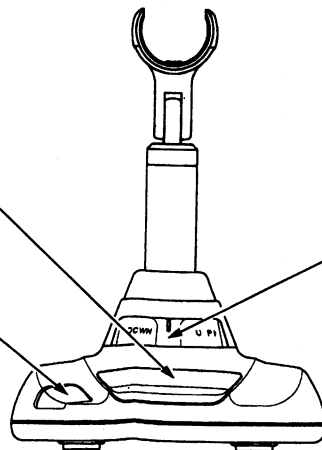
### Scanning Control

The operation of this control depends on the transceiver. Some models do not support the **FAST** function.

The **FAST** button on the transceiver should be set for momentary operation.

Rotate the control to the right to tune upwards, or left to tune downwards. Turning it slightly activates slow tuning, and turning it further activates fast tuning. Center the control to stop.

If the squelch is closed, scanning will continue until a signal is found or until you press the PTT.



### LOW CUT Switch

The **OFF** position provides flat-audio-characteristic transmit audio.

Position 1 attenuates low audio tones, for improved clarity in moderate band conditions, or if you have a naturally deep voice.

Position 2 attenuates low audio tones more than position 1, for improved clarity in noisy band conditions.

To work contest pileups, the **HIGH EMPHASIS** filter provides even crisper audio.

Note: This switch is ignored when the **HIGH EMPHASIS** switch is **ON**, and when the **MAIN** switch is set to **THRU**.

### HIGH EMPHASIS Switch

Turn this switch on to amplify the higher audio frequency components of your voice, while also cutting the lows.

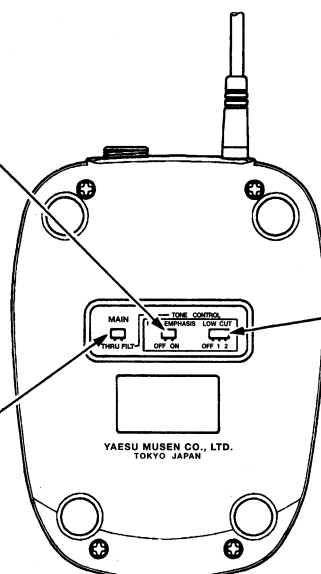
When this switch is on, the **LOW CUT** switch selection is ignored.

This switch is ignored when the **MAIN** switch (below) is set to **THRU**.

### MAIN Filter Switch

Set this switch to the **THRU** position to bypass the internal audio filters.

Set it to the **FILT** position to activate the filters (according to the **LOW CUT** or **HIGH EMPHASIS** switch settings).



# Yaesu MD-100A8X Desktop Dynamic Microphone

The MD-100A8X features selectable low-cut filtering and high-emphasis active filtering that allow you to tailor the microphone response for optimum voice clarity or DX punch. The MD-100A8X is designed for base station operation with the latest Yaesu HF transceivers.

A multi-axis pivoting mount lets you adjust the horizontal and vertical position of the microphone to accommodate various locations and heights, or you can remove the microphone from the base and use it independently (an auxiliary toggling PTT button is provided, but the audio filtering and scan controls are not used).

The base of the MD-100A8X includes a large push-to-talk switch and latching button, along with a large rotary up/down slow/fast control for scanning. Jacks and cabling are provided to accommodate transceivers having either RJ-45 or round 8-pin MIC jacks.

## Specifications

Transducer type: Dynamic

Frequency response: 100 ~ 5000 Hz (-6 dB)

Audio characteristic controls:

LOW CUT Switch

OFF position: standard frequency response

Position 1: -3 dB rolloff from 1000 to 150 Hz

Position 2: -3 dB rolloff from 1000 to 300 Hz

HIGH EMPHASIS Switch

ON: +6 dB at 3000 Hz

Sensitivity:  $-75 \pm 3$  dB at 1 kHz and 500 $\Omega$   
(0 dB = 1 V / 0.1 Pa)

Controls: PTT switch, PTT Lock switch, Scanning control (only for specific transceivers)

Impedance: 500 $\Omega$

Dimensions:

Base (WHD): 112 x 156 x 151 mm (w/o mic)

Microphone: 42.5 dia. x 189 mm

Weight: approximately 670g (w/o cable)

## Compatibility

The MD-100A8X is especially designed for the FT-1000MP and FT-900, but can be used with the transceivers listed below:

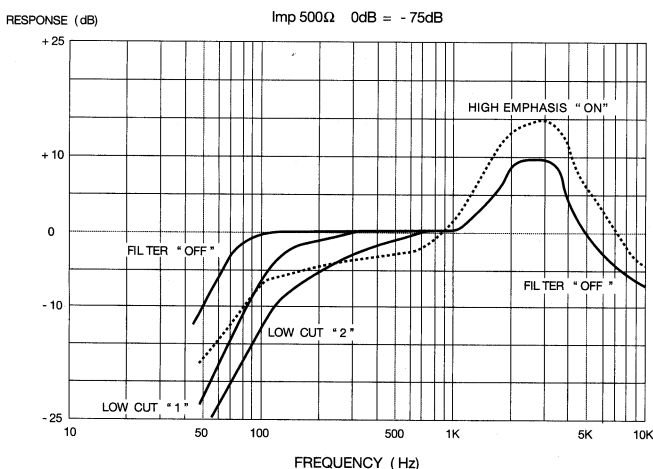
📞 FT-747, -757GXII, -840, -890, -990, and FT-1000

The MD-100A8X will work with past HF models that include the round 8-pin jack (**note** - on some models, the *scan function* may not operate).

When using the MD-100A8X with the above transceivers, set the **MAIN FILTER** switch to the **THRU** position. The **LOW CUT** and **HIGH EMPHASIS** filter switches are disabled since no power is provided at the microphone jacks on these units.

### WARNING!

Do not use with the FT-2400H/-7400H series, FT-2500, FT-8500 or others than those listed, as damage may result from modular jack wiring incompatibility.



### YAESU MUSEN CO., LTD.

1-20-2 Shimomaruko, Ota-Ku, Tokyo, 146, Japan

### YAESU U.S.A.

17210 Edwards Rd., Cerritos, CA 90703, U.S.A.

YAESU INTERNATIONAL SALES, (Caribbean, Central & So. America)  
7270 NW 12th St., Suite 320, Miami, FL 33126, U.S.A.

### YAESU EUROPE B.V.

Snipweg 3, 1118DN Schiphol, The Netherlands

### YAESU UK LTD.

Unit 2, Maple Grove Business Centre,  
Lawrence Rd., Hounslow, Middlesex, TW4 6DR, U.K.

### YAESU GERMANY GmbH

Am Kronberger Hang 2, D-65824 Schwalbach, Germany

### YAESU HK LTD.

11th Floor Tsim Sha Tsui Centre, 66 Mody Rd.,  
Tsim Sha Tsui East, Kowloon, Hong Kong