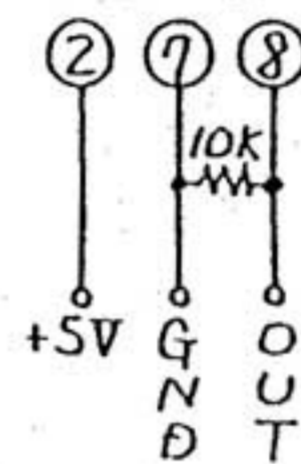
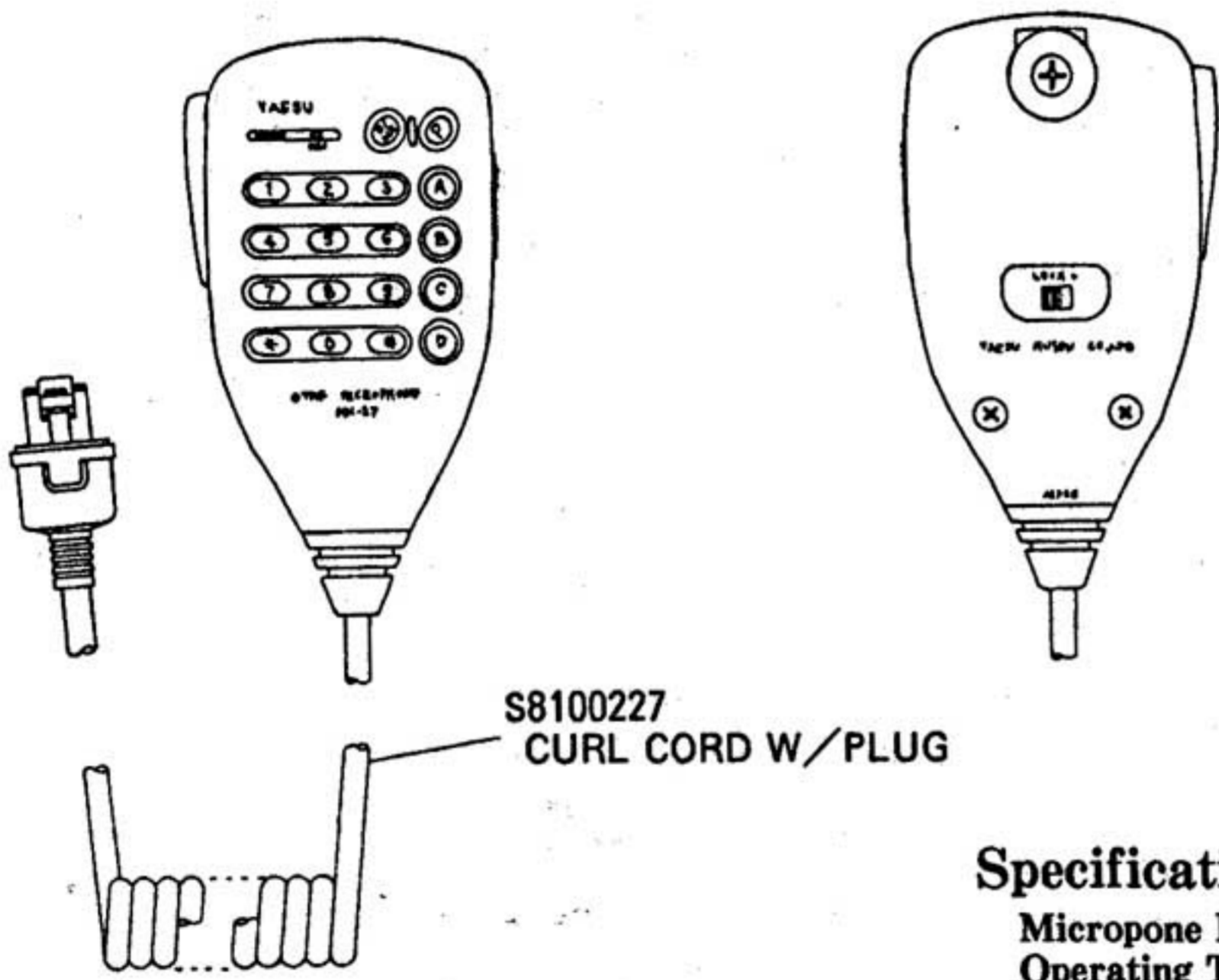


- X1: CSAC 3.58MGCM (村田)相当
- D1: SEL1123R (セケン)相当
- D2: ISS307 (東芝)相当
- D3~7: SLM-13DW (ロム)相当
- Q1: LR40872 (シャ-7)相当
- Q2~4: 2SC2412KR (ロム)相当

測定用負荷回路



## MH-27A8J Microphone (accessory)

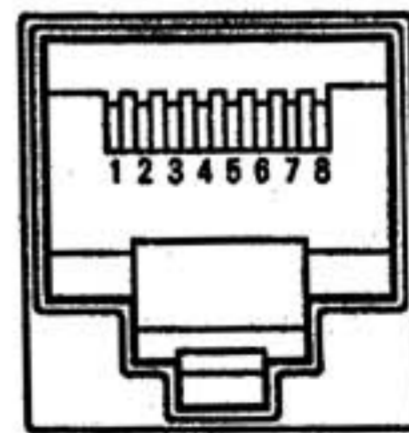


S8100227  
CURL CORD W/PLUG

### Specifications

- Micropne Impedance: 1.5kΩ
- Operating Temperature Range: -10°C ~ +60°C
- Voltage Requirement: 4.8V ~ 5.2V

Downloaded by  Amateur Radio Directory   
[www.hamdirectory.info](http://www.hamdirectory.info)



1. D/MR & P Button
2. N.C.
3. PTT Button
4. MicTx Audio
5. GND
6. +5V DC
7. Up Button
8. Down Button

