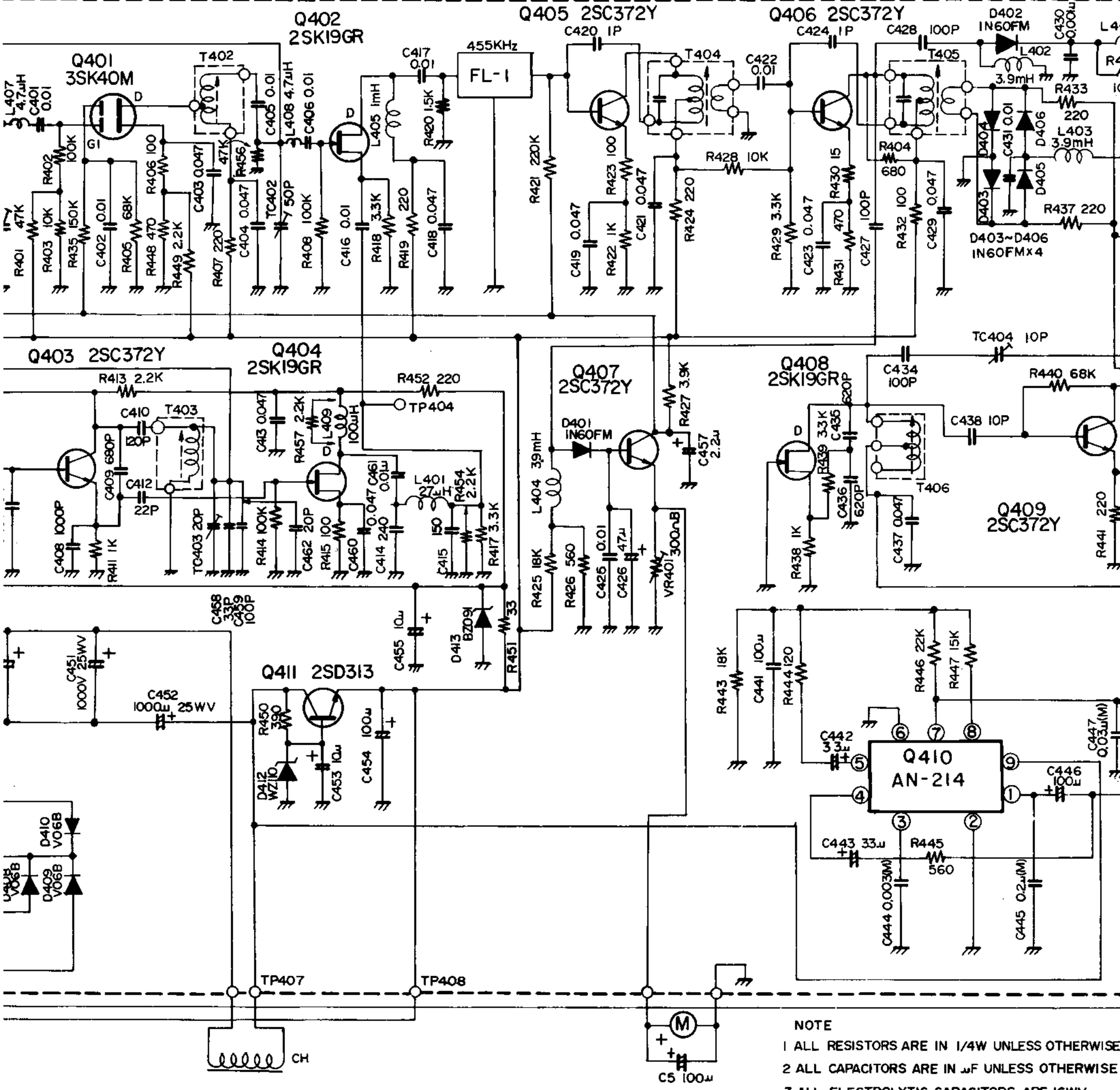
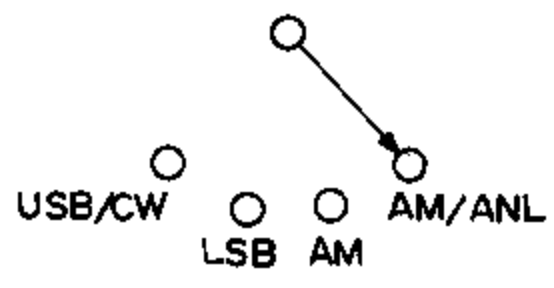
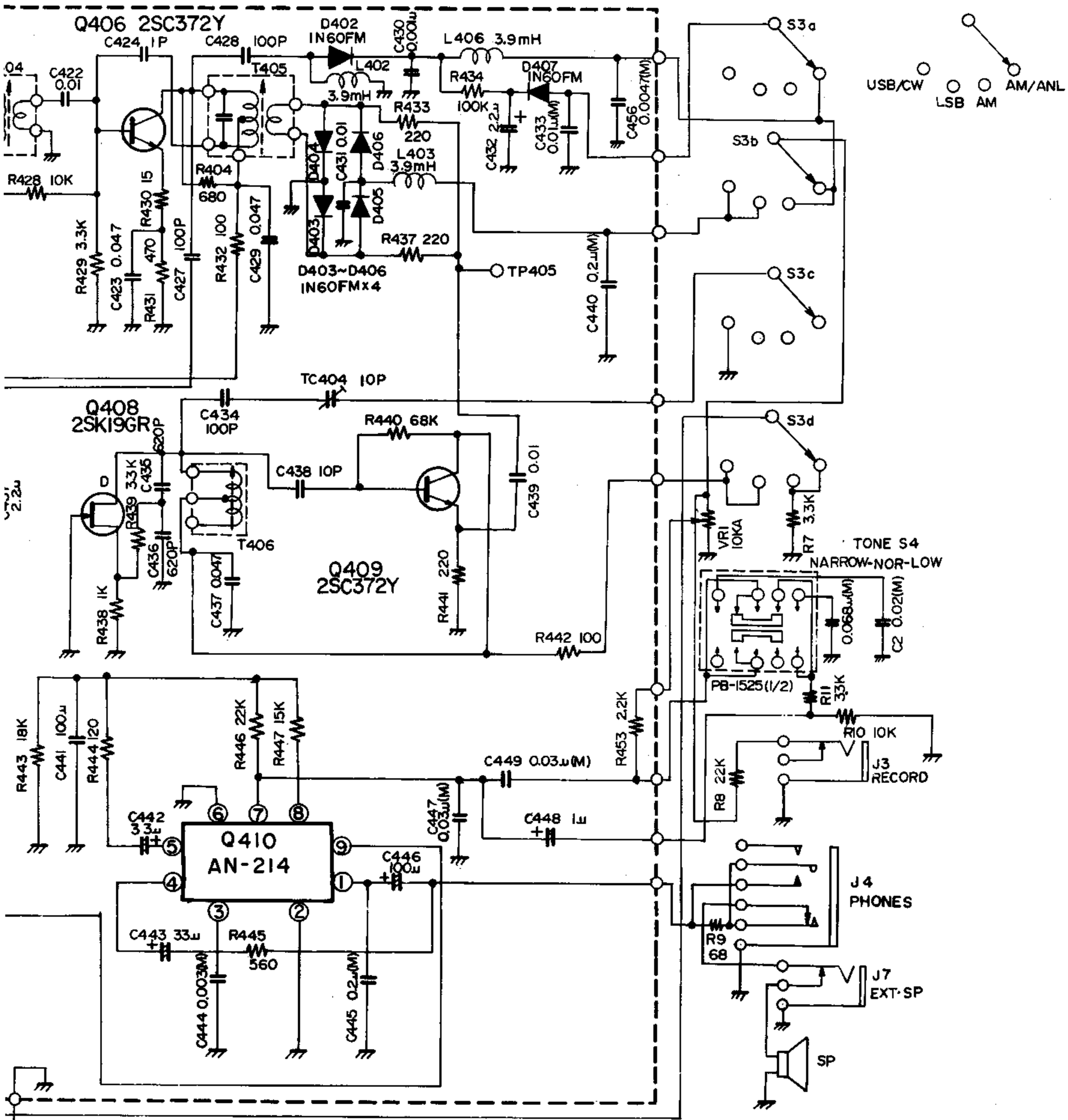


Scanned by IW1AXR
 Downloaded by
 Amateur Radio Directory



NOTE
 1 ALL RESISTORS ARE IN 1/4W UNLESS OTHERWISE
 2 ALL CAPACITORS ARE IN μF UNLESS OTHERWISE
 3 ALL ELECTROLYTIC CAPACITORS ARE 16WV
 UNLESS OTHERWISE NOTED.



NOTE
 1 ALL RESISTORS ARE IN 1/4W UNLESS OTHERWISE NOTED.
 2 ALL CAPACITORS ARE IN μ F UNLESS OTHERWISE NOTED.
 3 ALL ELECTROLYTIC CAPACITORS ARE 16WV UNLESS OTHERWISE NOTED.

FRG-7
CIRCUIT DIAGRAM

Scanned by IW1AXR
 Downloaded by
 Amateur Radio Directory