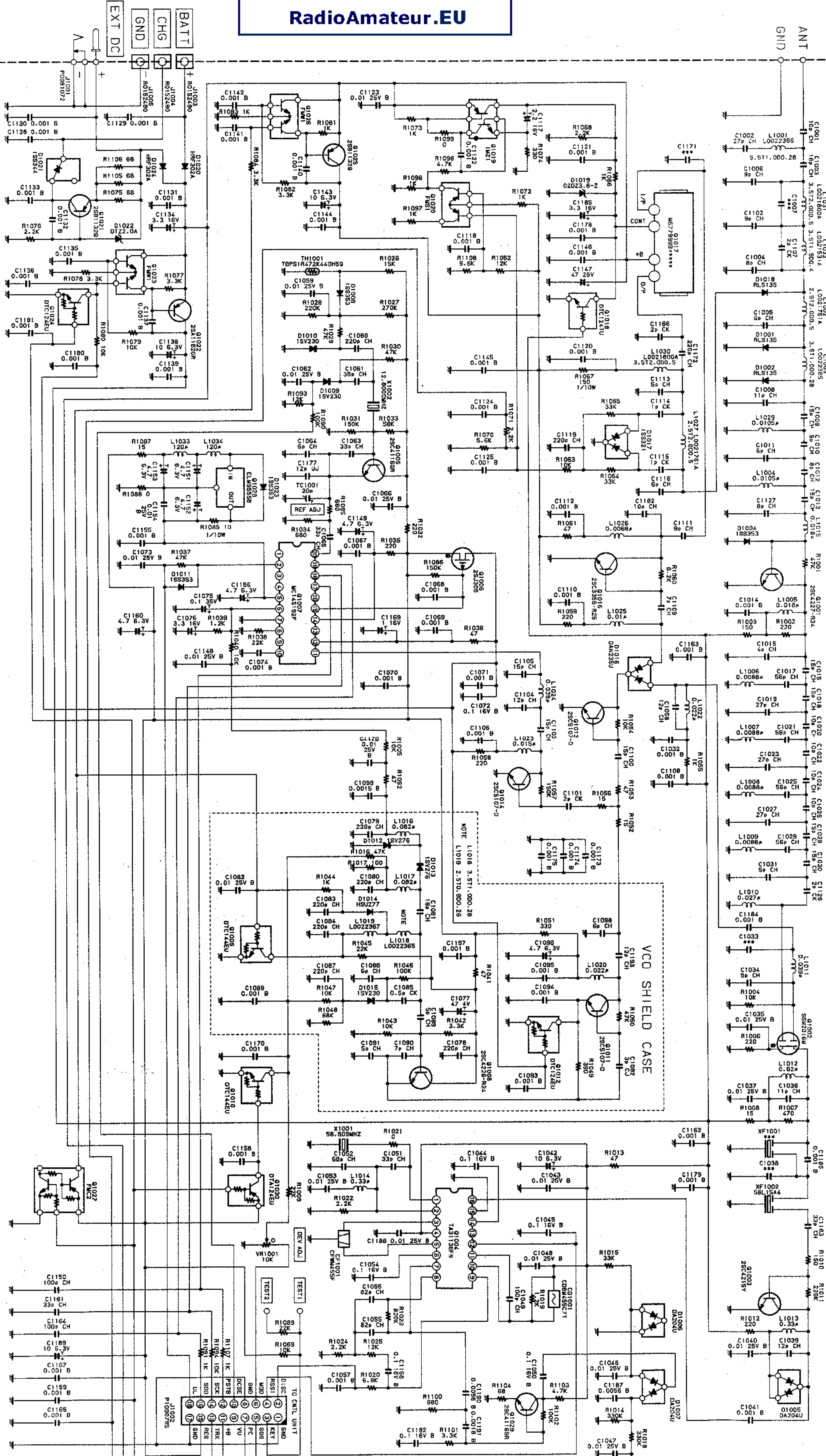


Downloaded by RadioAmateur.EU

RF-UNIT F3542101



NOTE:  
 RESISTOR VALUES ARE IN Ω, 1/10W ;  
 CAPACITOR VALUES ARE IN P, 50V ;  
 INDUCTOR VALUES ARE IN μH ;  
 UNLESS OTHERWISE NOTED.