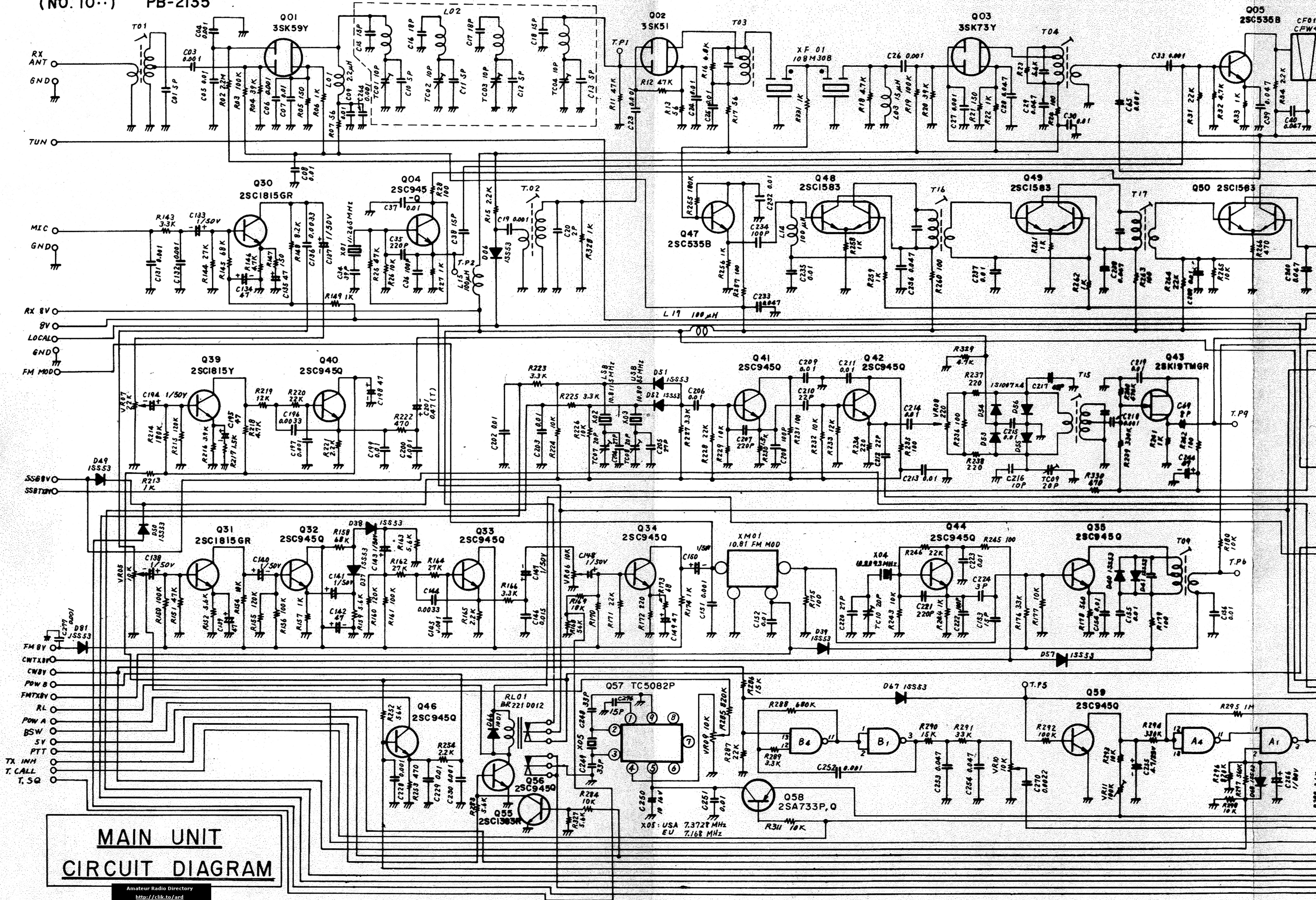
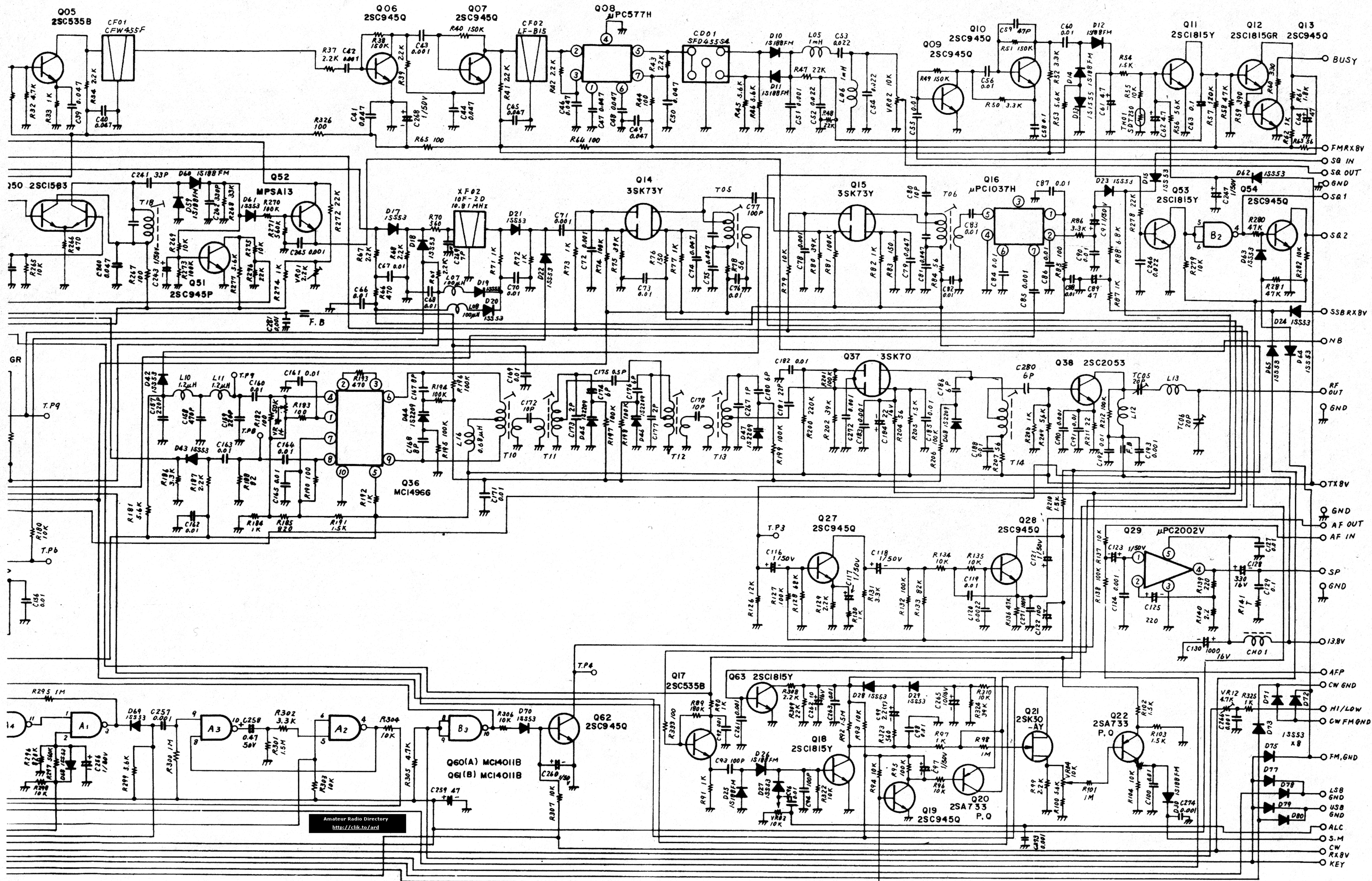


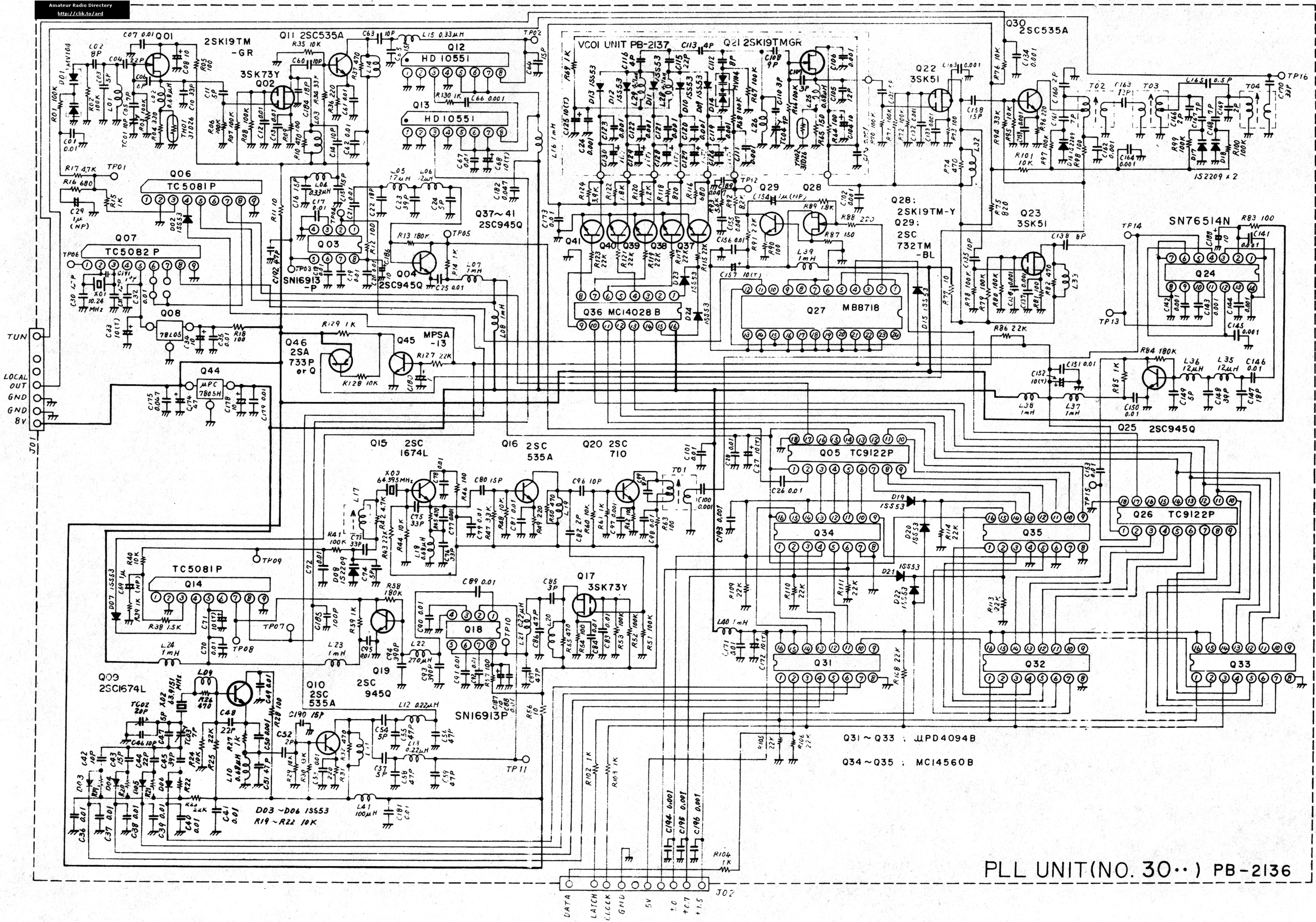
**FT-48OR**  
**CONNECTION DIAGRAM**  
 Amateur Radio Directory  
<http://tllk.to/ard>

(NO. 10..) PB-2135



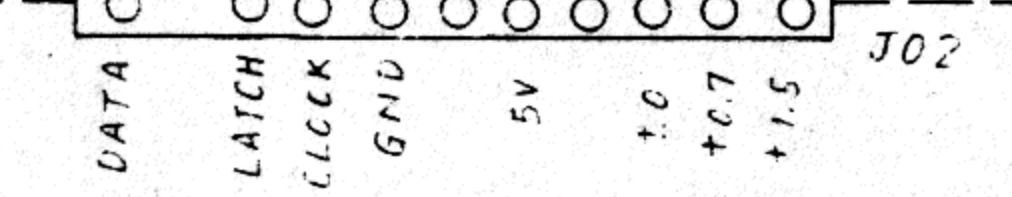
MAIN UNIT  
CIRCUIT DIAGRAM



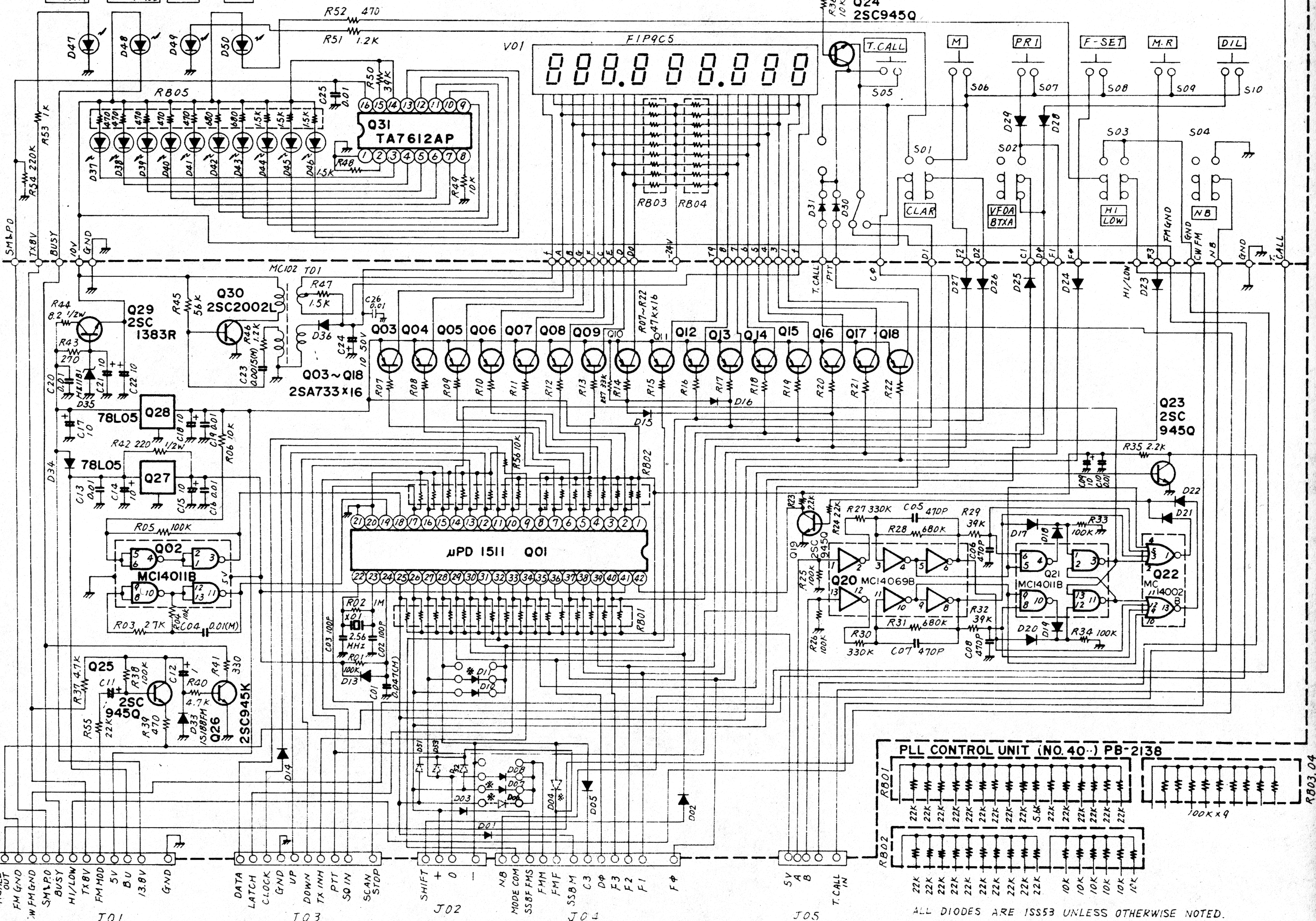


Q31 ~ Q33 : JPD4094B  
Q34 ~ Q35 : MCI4560B

PLL UNIT (NO. 30..) PB-2136



### DISPLAY UNIT (NO. 40-) PB-2139



ALL DIODES ARE 1SS53 UNLESS OTHERWISE NOTED.