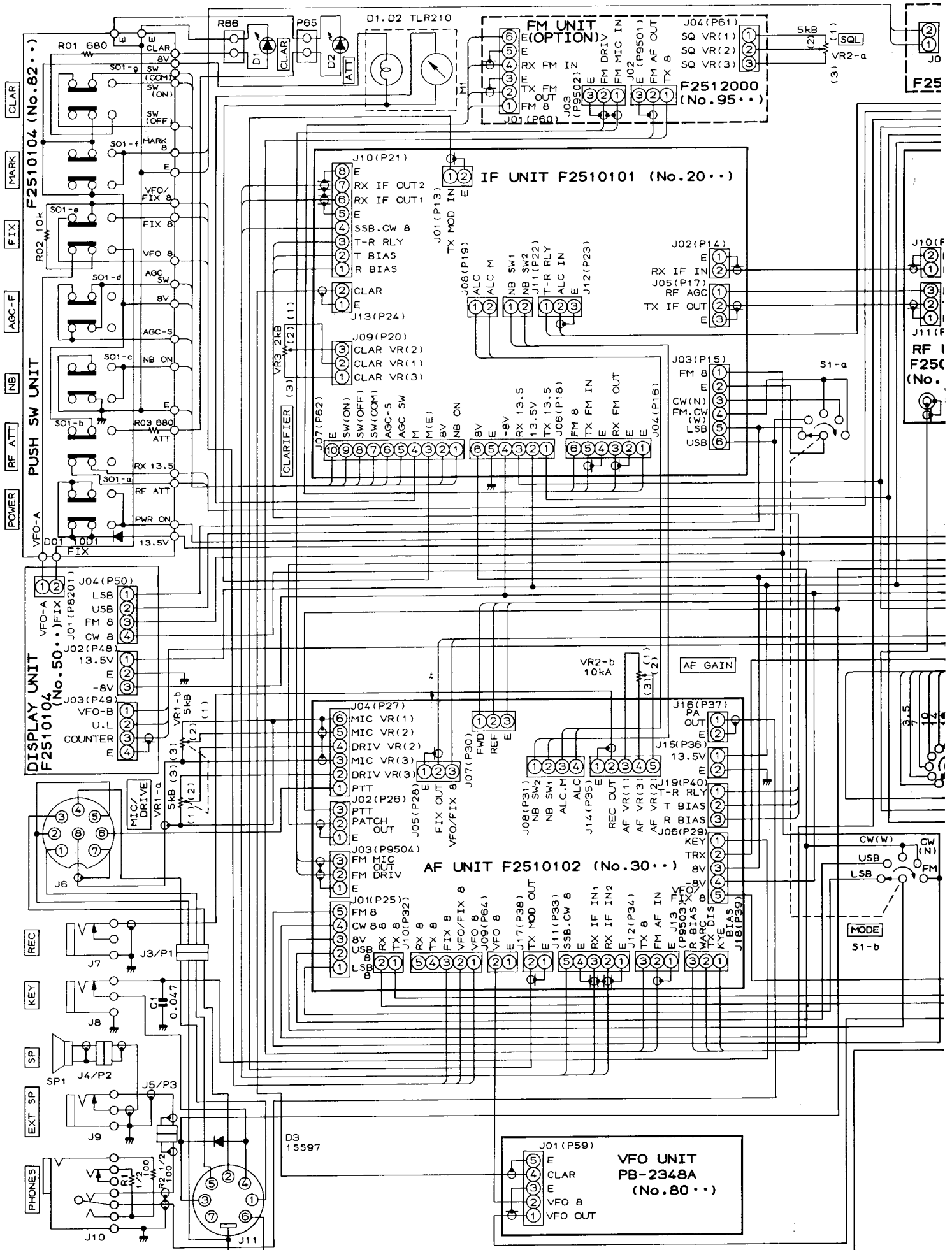
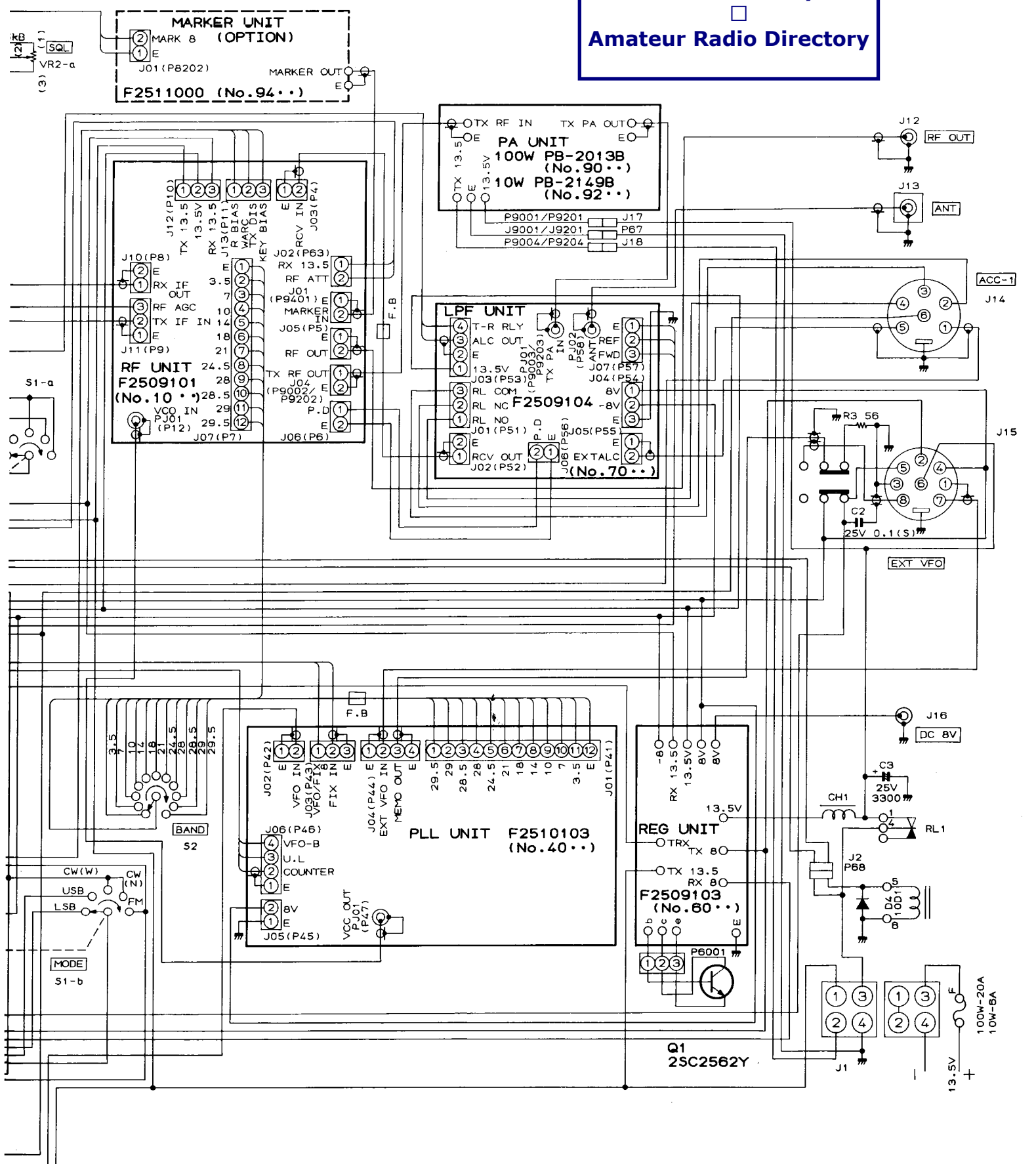
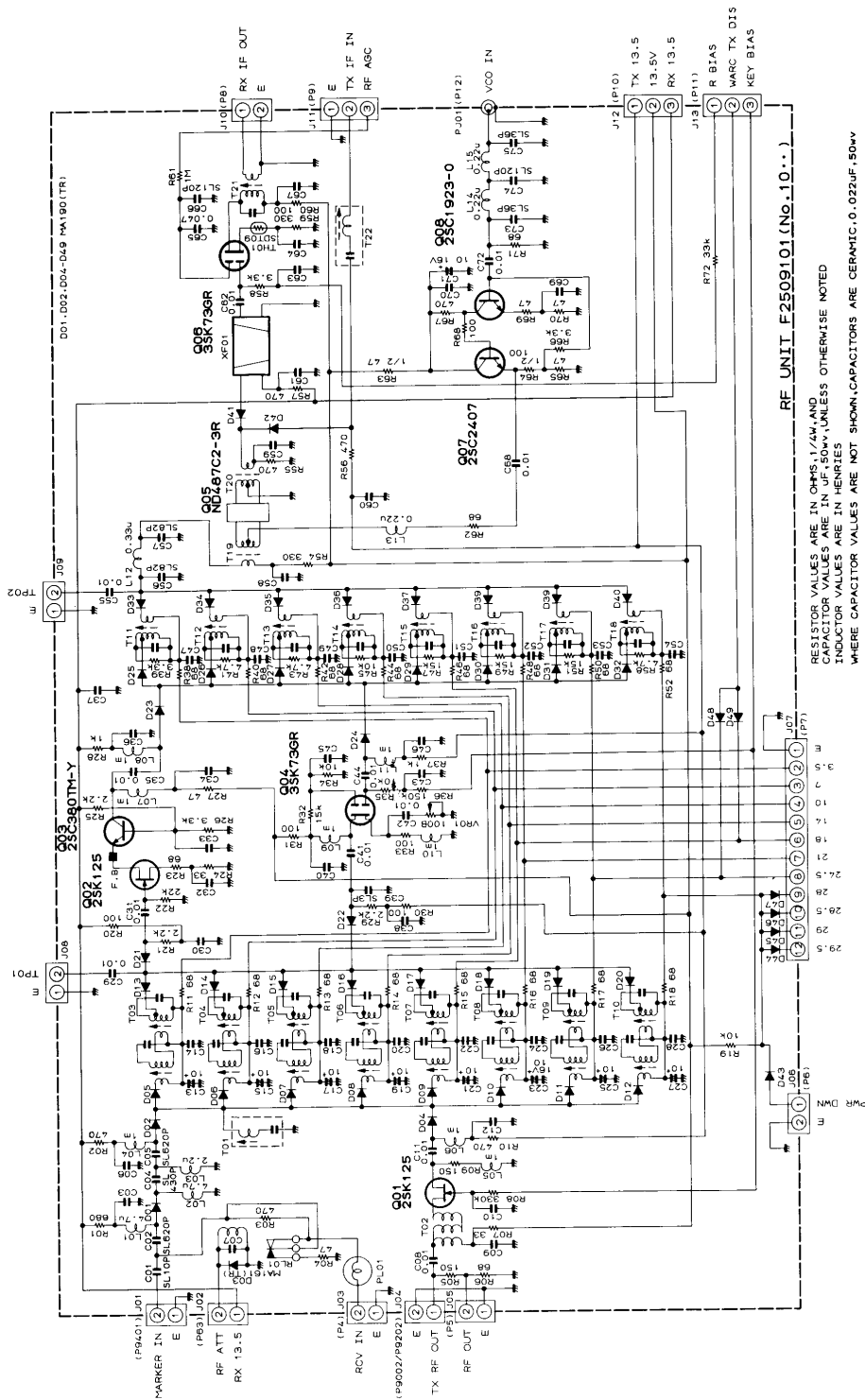


FT-77/77S
 BLOCK DIAGRAM



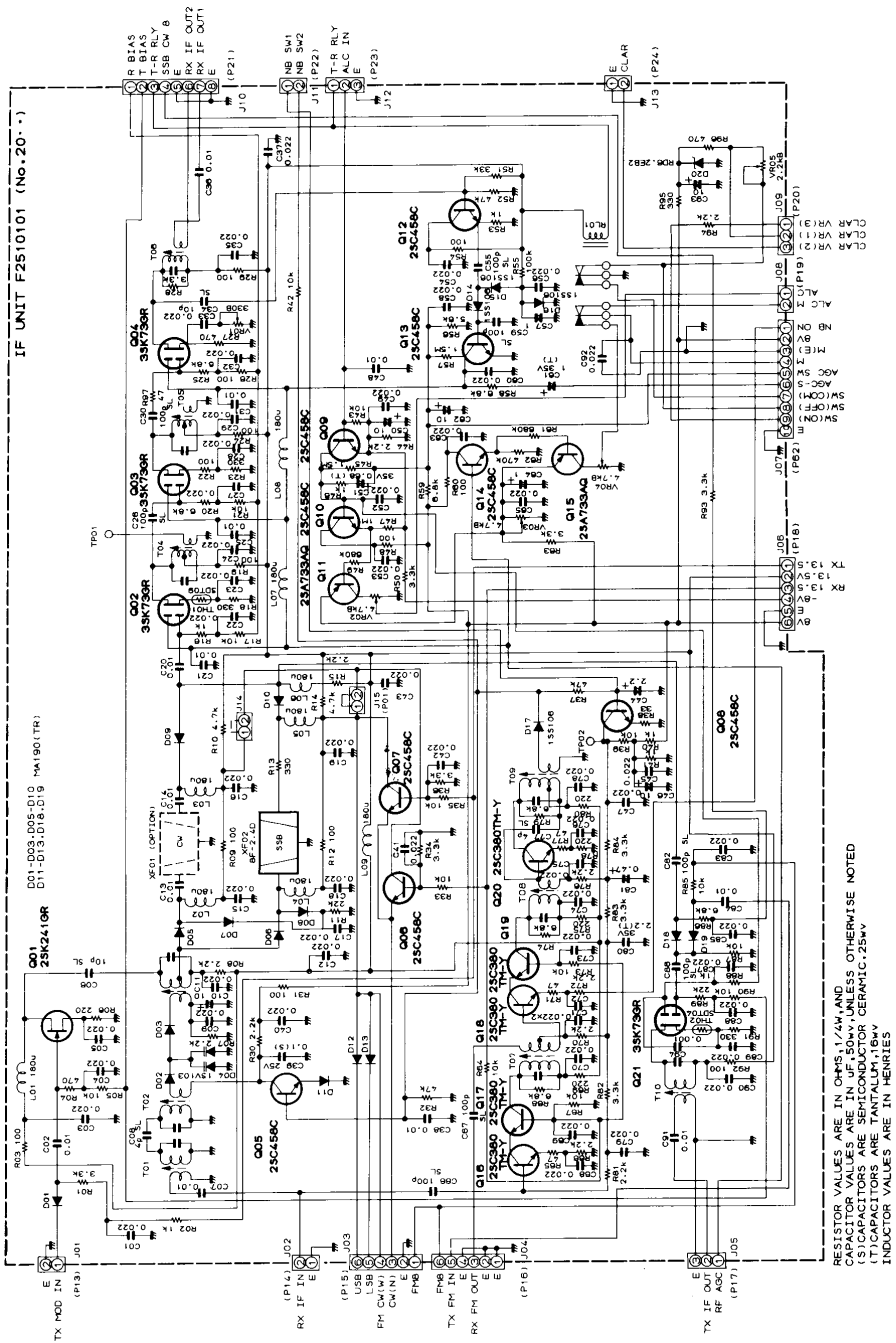


**FT-77/77S
 WIRING DIAGRAM**

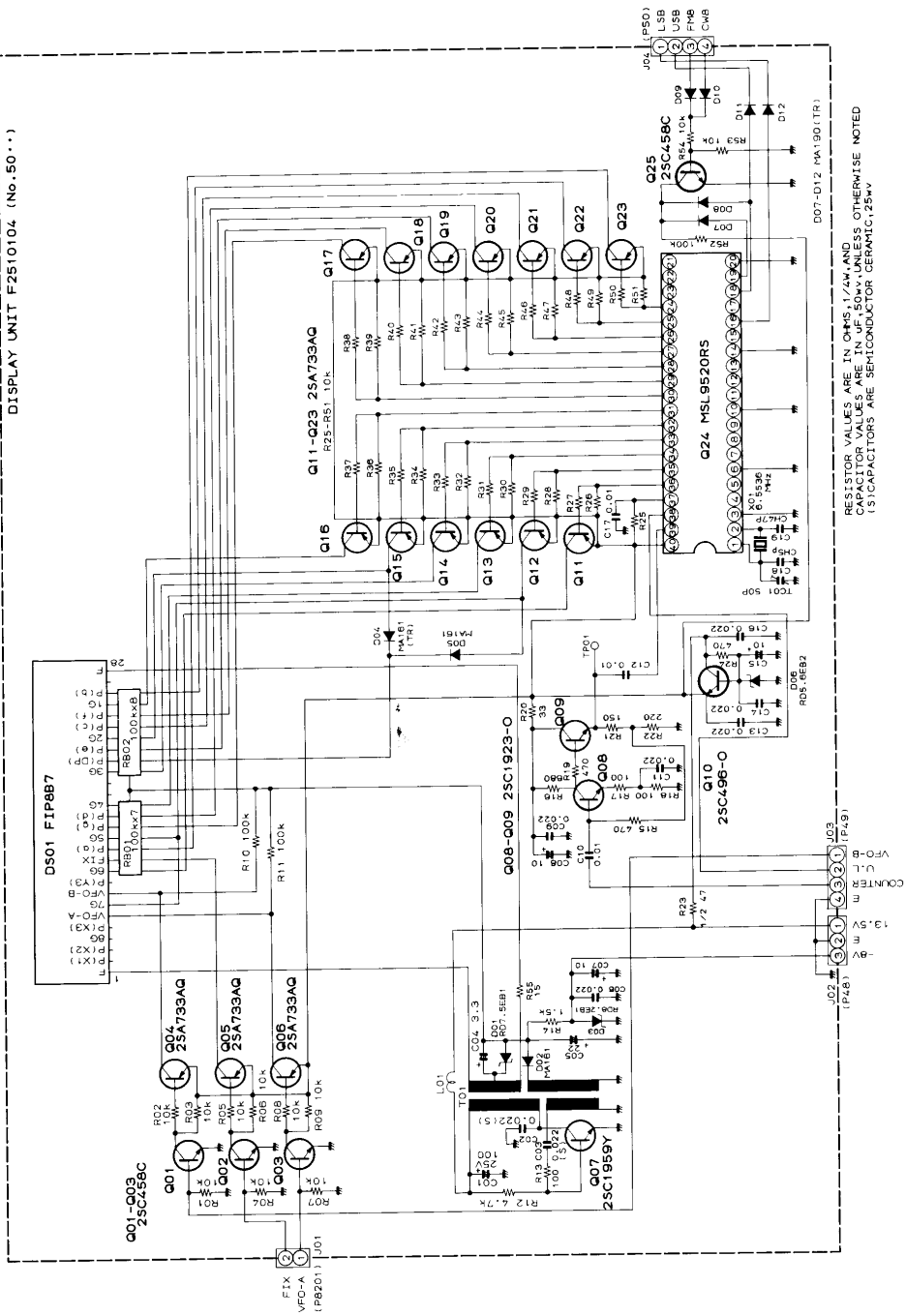


RF UNIT F2509101 (No. 10...)

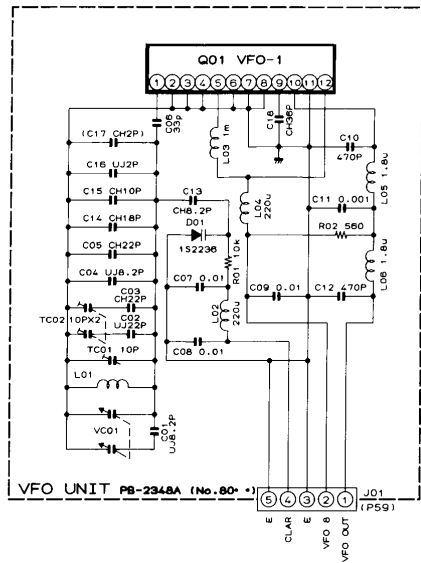
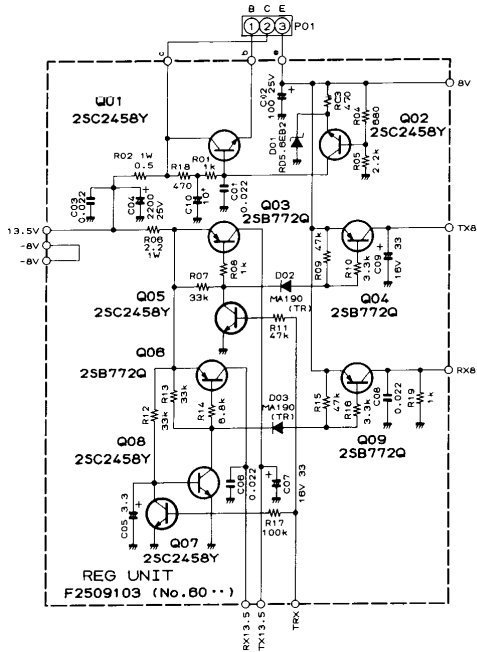
RESISTOR VALUES ARE IN OHMS, 1/4W, AND CAPACITOR VALUES ARE IN UF-50V, UNLESS OTHERWISE NOTED
INDUCTOR VALUES ARE IN HENRIES
WHERE CAPACITOR VALUES ARE NOT SHOWN, CAPACITORS ARE CERAMIC-0.022UF-50V



DISPLAY UNIT F2510104 (NO.50...)



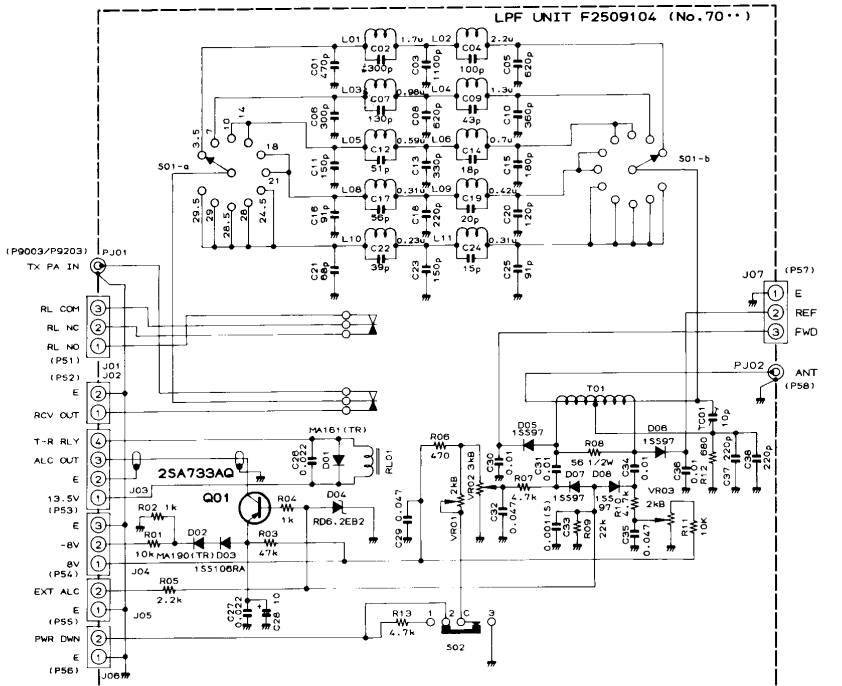
RESISTOR VALUES ARE IN OHMS, 1/4W, AND CAPACITOR VALUES ARE IN UF, 50V, UNLESS OTHERWISE NOTED. IS CAPACITORS ARE SEMICONDUCTOR CERAMIC, 25V.



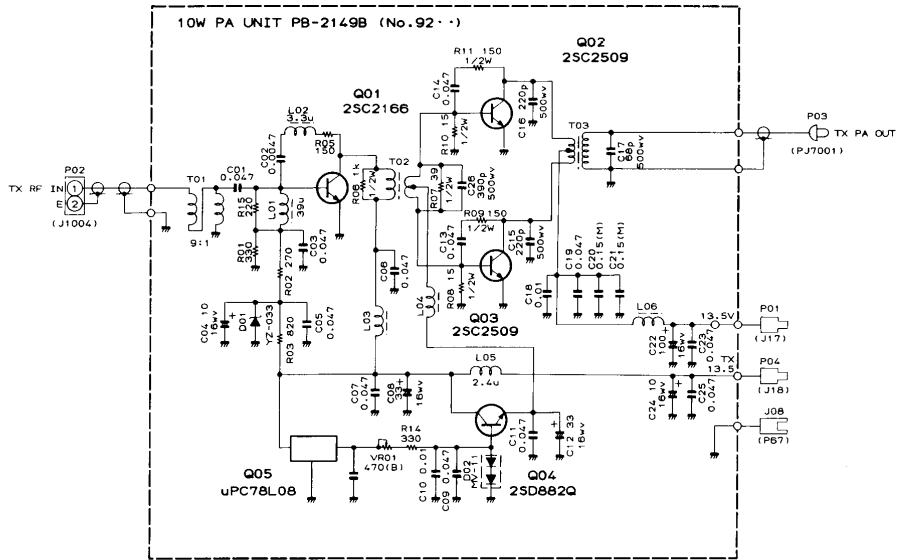
RESISTOR VALUES ARE IN OHMS, 1/4W, AND CAPACITOR VALUES ARE IN UF, 50V, UNLESS OTHERWISE NOTED

RESISTOR VALUES ARE IN OHMS, 1/4W, AND CAPACITOR VALUES ARE IN UF, 50V, UNLESS OTHERWISE NOTED INDUCTOR VALUES ARE IN HENRIES UNLESS OTHERWISE NOTED

Downloaded by
Amateur Radio Directory

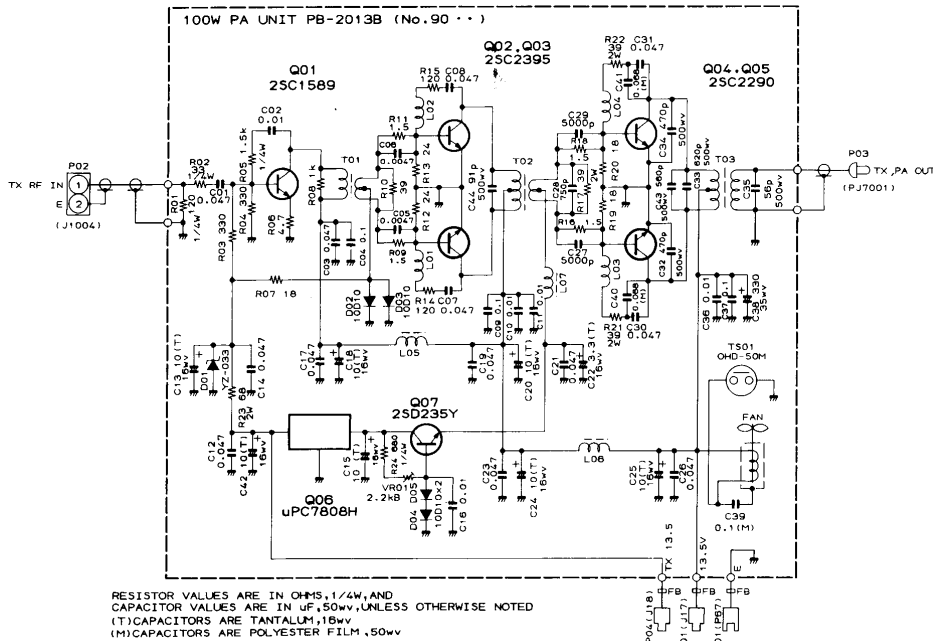


RESISTOR VALUES ARE IN OHMS, 1/4W, AND CAPACITOR VALUES ARE IN UF, 50V, UNLESS OTHERWISE NOTED (S) CAPACITORS ARE SEMICONDUCTOR CERAMIC, 25V INDUCTOR VALUES ARE IN HENRIES



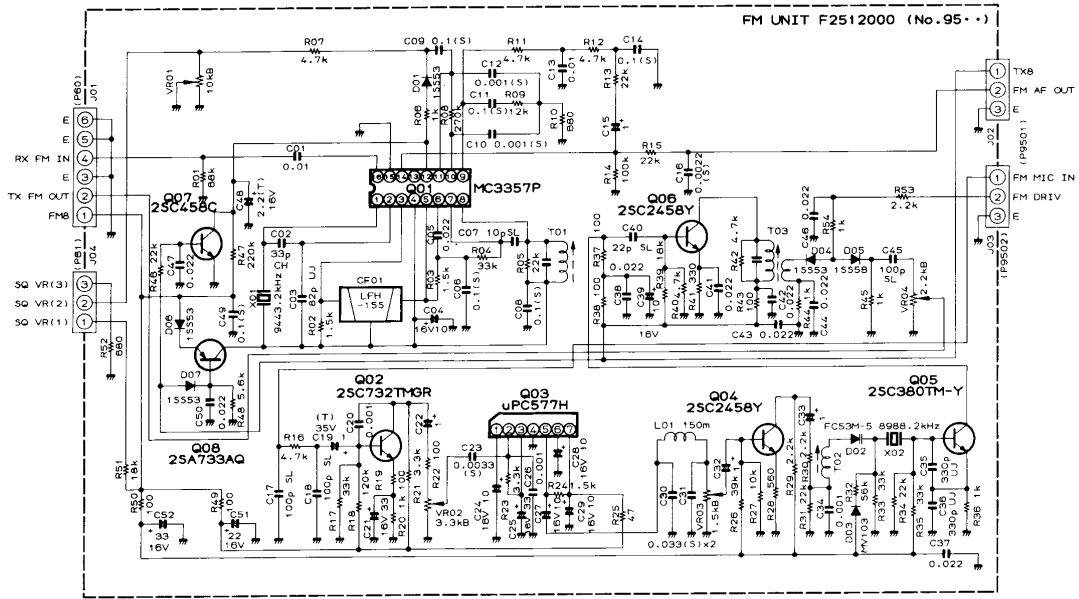
RESISTOR VALUES ARE IN OHMS, 1/4W, AND CAPACITOR VALUES ARE IN μ F, 50V, UNLESS OTHERWISE NOTED (M) CAPACITORS ARE POLYESTER FILM, 50V

10W PA UNIT
CIRCUIT DIAGRAM



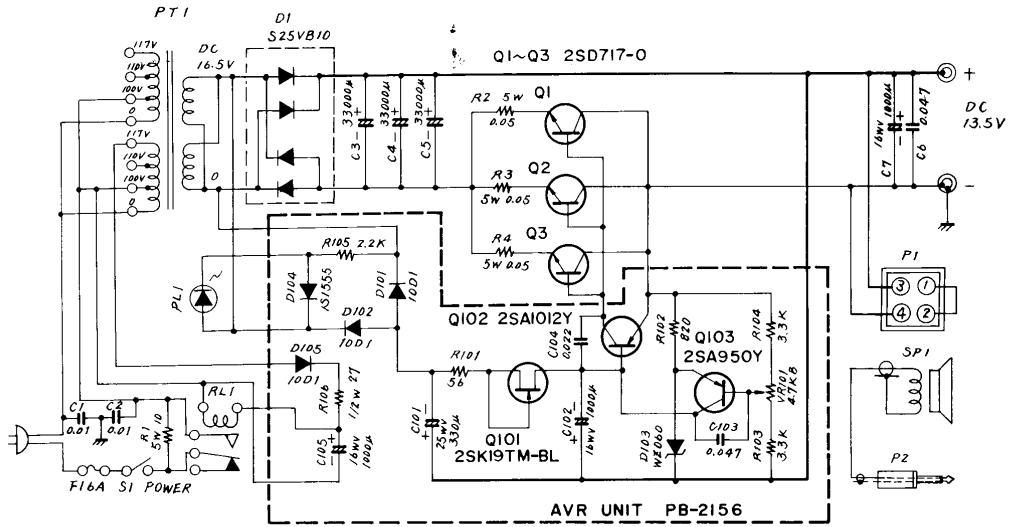
RESISTOR VALUES ARE IN OHMS, 1/4W, AND CAPACITOR VALUES ARE IN μ F, 50V, UNLESS OTHERWISE NOTED (T) CAPACITORS ARE TANTALUM, 18V (M) CAPACITORS ARE POLYESTER FILM, 50V

100W PA UNIT
CIRCUIT DIAGRAM



RESISTOR VALUES ARE IN OHMS, 1/4W, AND CAPACITOR VALUES ARE IN μ F, 50V (EXCEPT ELECTROLYTIC) INDUCTOR VALUES ARE IN H UNLESS OTHERWISE NOTED
 (T) CAPACITORS ARE TANTALUM
 (S) CAPACITORS ARE SEMICONDUCTOR CERAMIC, 25WV

Downloaded by  Amateur Radio Directory



FP - 700
 CIRCUIT DIAGRAM