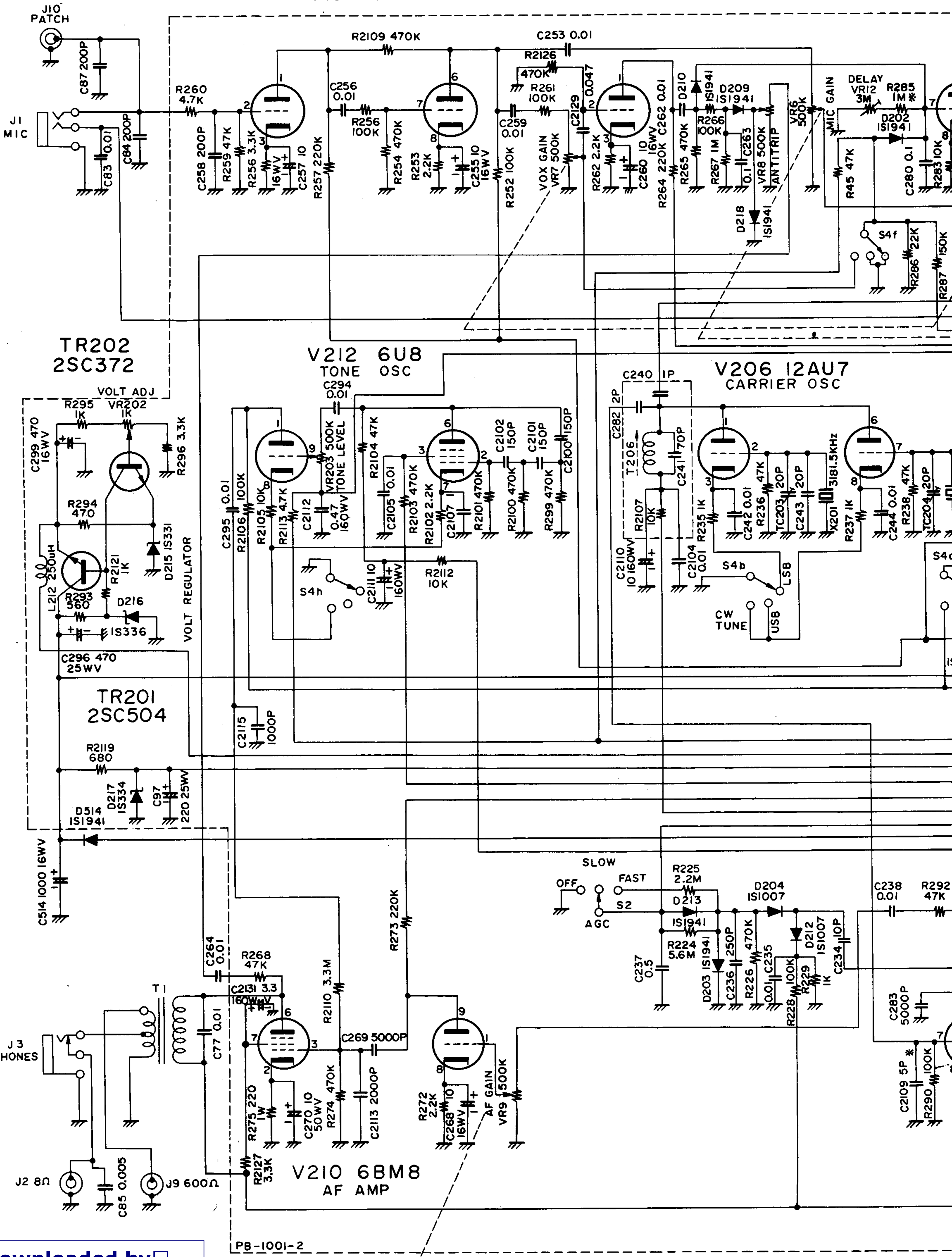


V208 12AX7
MIC AMP

V209a 12AT7
VOX AMP

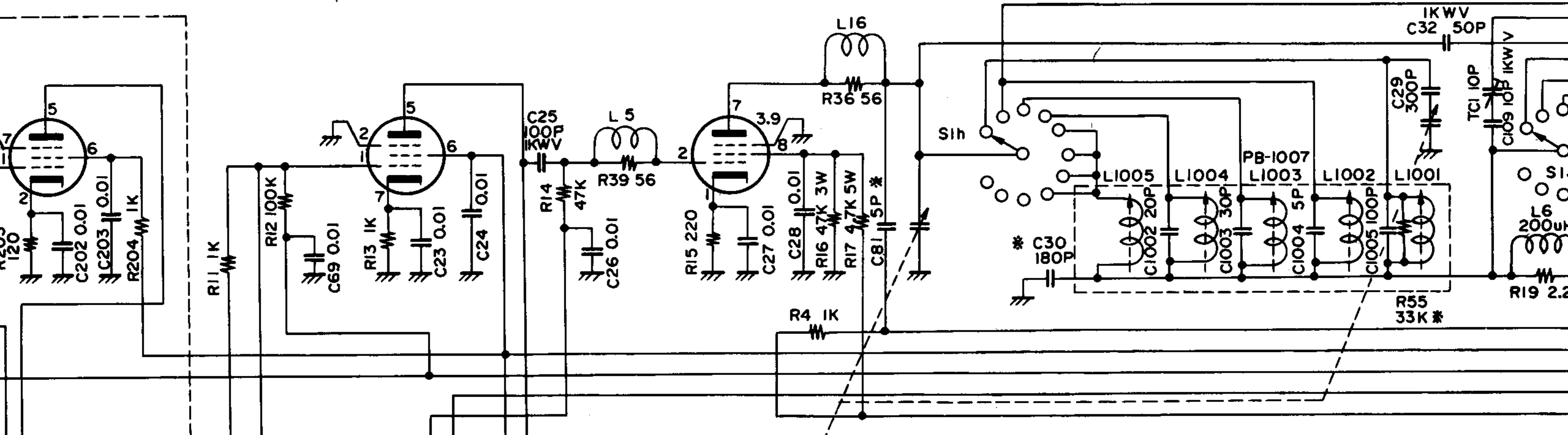
V209b
RELAY C



V1 6CB6
S 1ST MIX

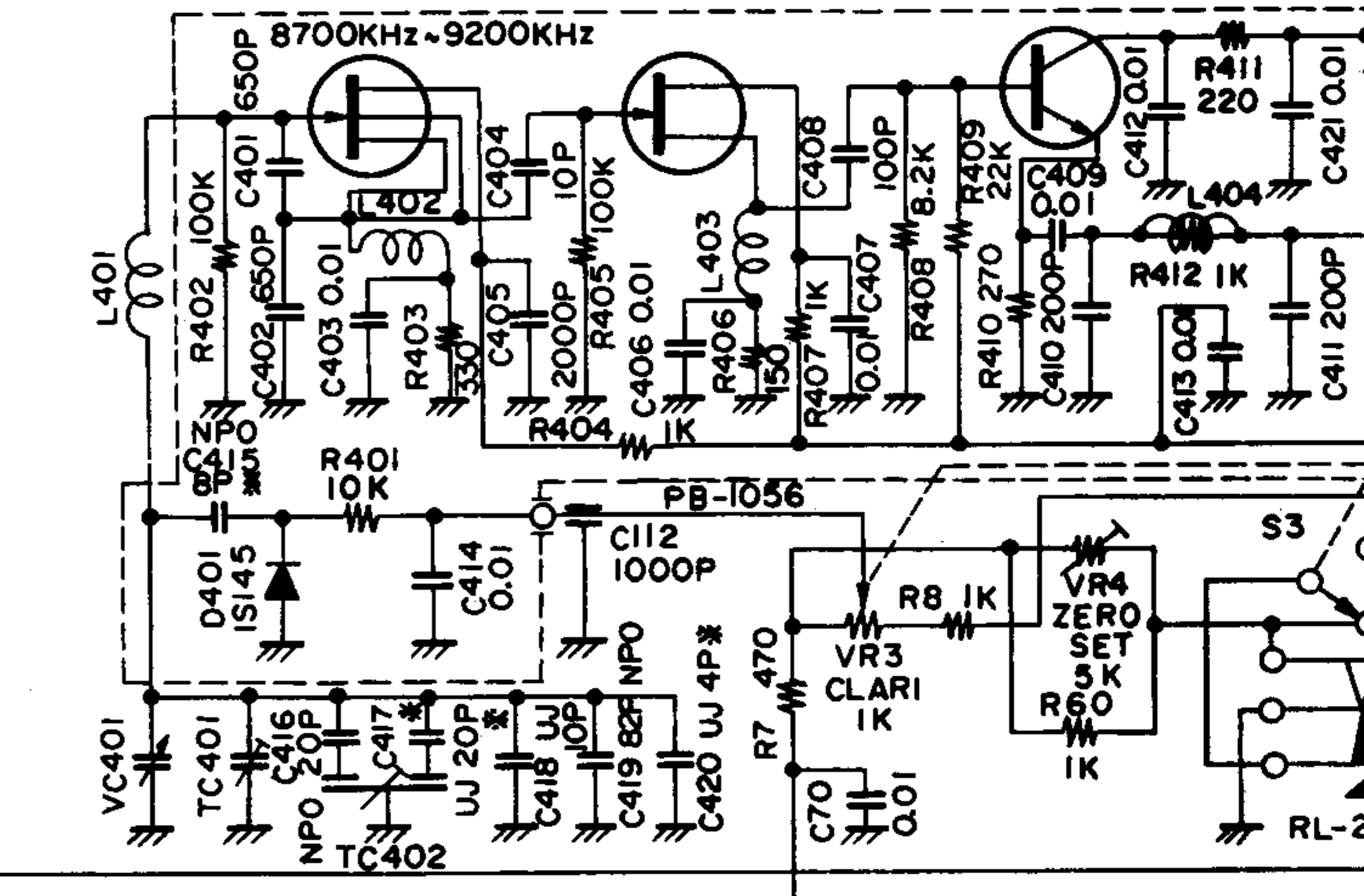
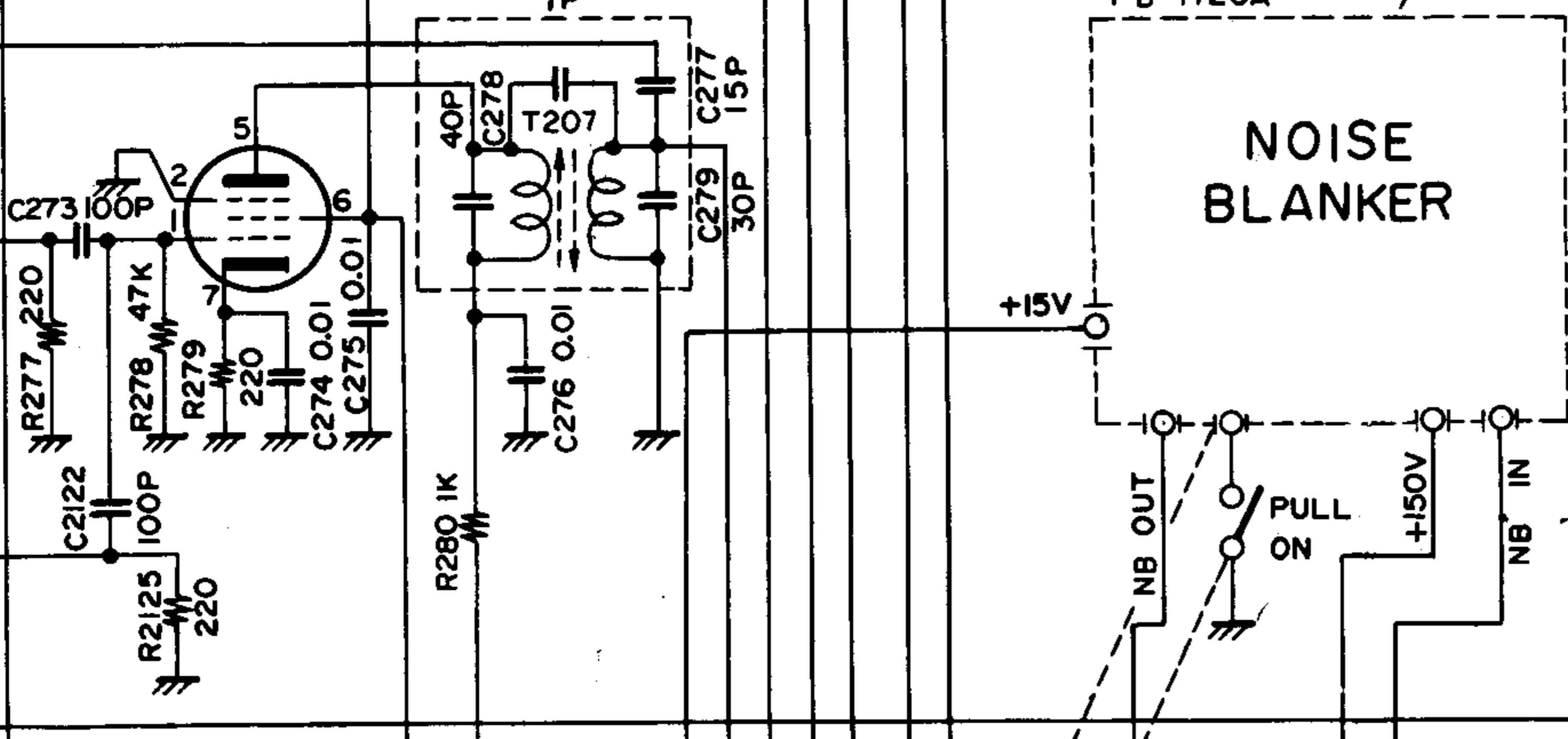
V3 6AH6
TRANS 2ND MIX

V4 6GK6
DRIVER



V211 6BA6
VFO BUFF

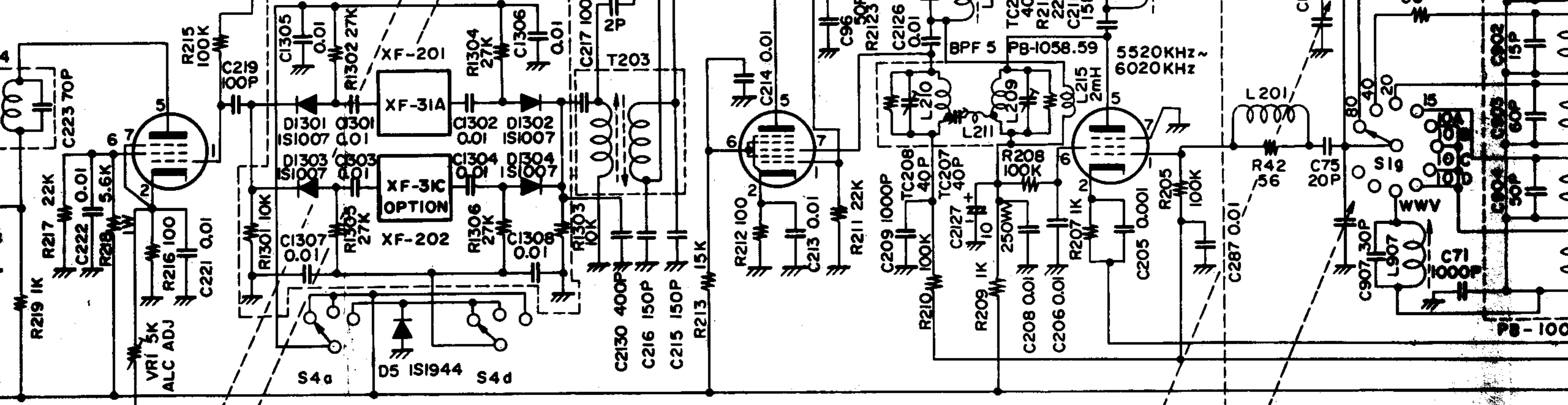
TR401 3SK22G VFO OSC
TR402 2SK19G VFO BUFF
TR403 2SC372Y VFO AMP



V204 6BZ6
REC 2ND IF
TRANS 1ST IF

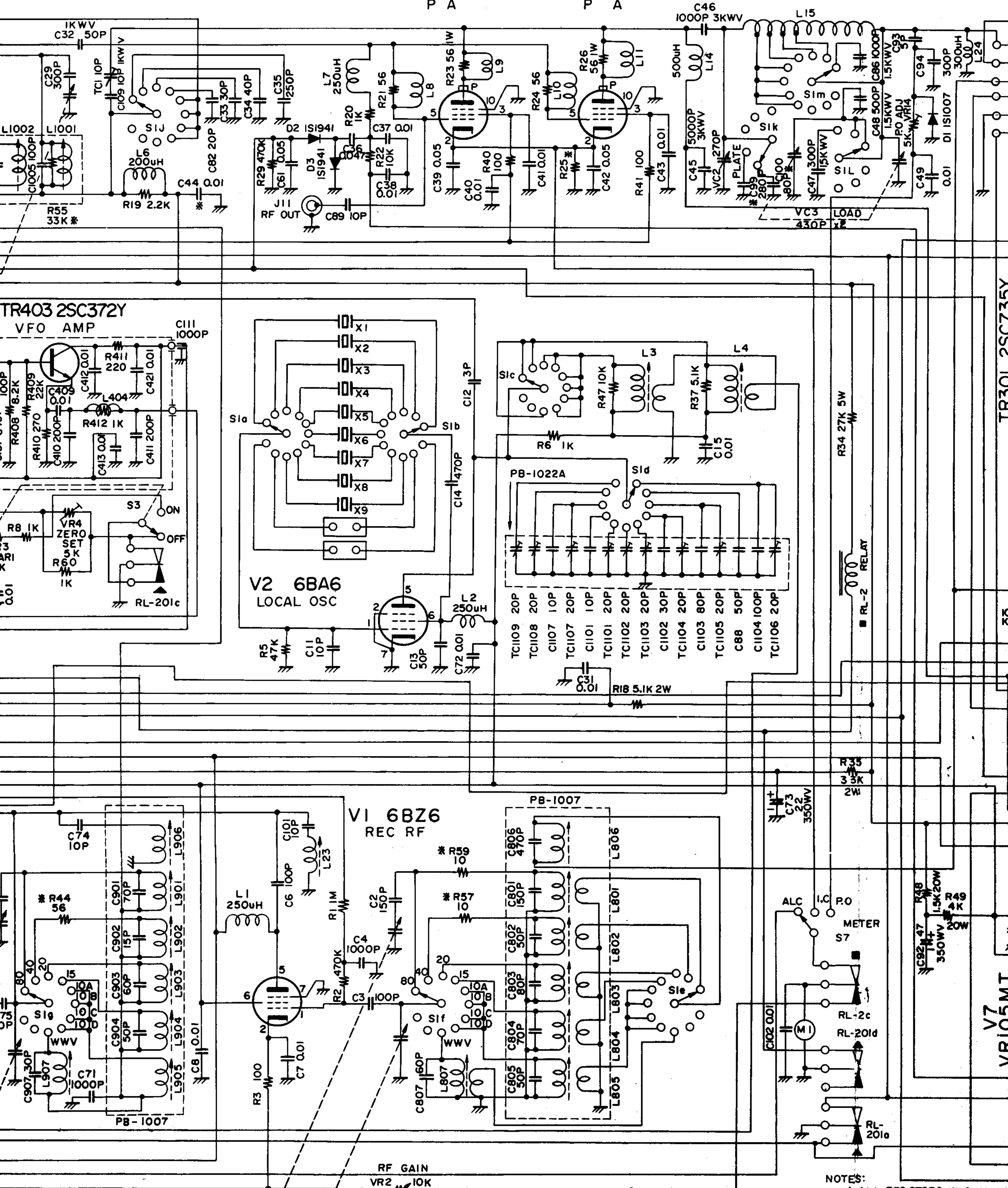
V203 6BE6
REC 2ND MIX

V202 6CB6
REC 1ST MIX

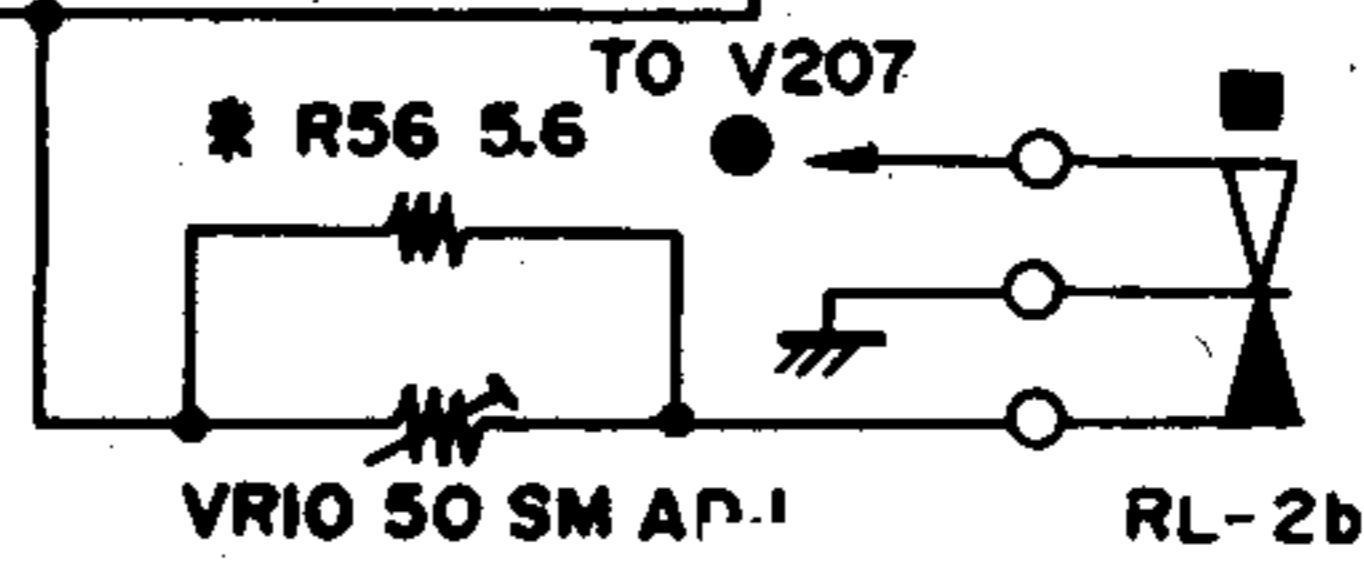


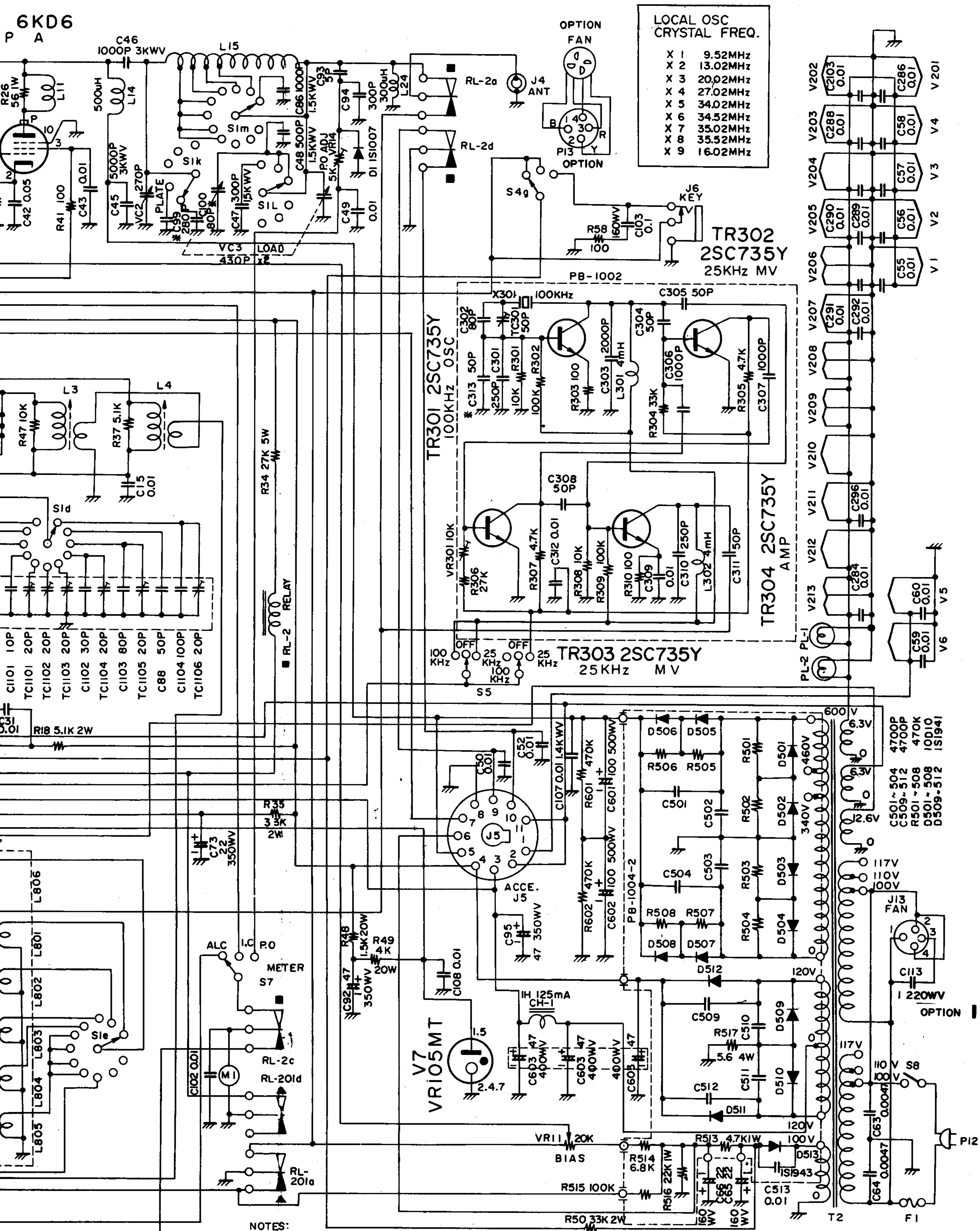
VCI PRESELE

V5 6KD6 P A V6 6KD6 P A



- NOTES:
1. ALL RESISTORS IN OHM 1/10 UNLESS OTHERWISE NOTE
 2. ALL CAPACITORS IN UF UNLESS OTHERWISE NOTE
 3. * VALUE IS NOMINAL





LOCAL OSC
CRYSTAL FREQ.

X 1	9.52MHz
X 2	13.02MHz
X 3	20.02MHz
X 4	27.02MHz
X 5	34.02MHz
X 6	34.52MHz
X 7	35.02MHz
X 8	35.52MHz
X 9	16.02MHz

- NOTES:
1. ALL RESISTORS IN OHM 1/2W ± 10% UNLESS OTHERWISE NOTED.
 2. ALL CAPACITORS IN uF UNLESS OTHERWISE NOTED.
 3. * VALUE IS NOMINAL

FTDX560
CIRCUIT DIAGRAM

