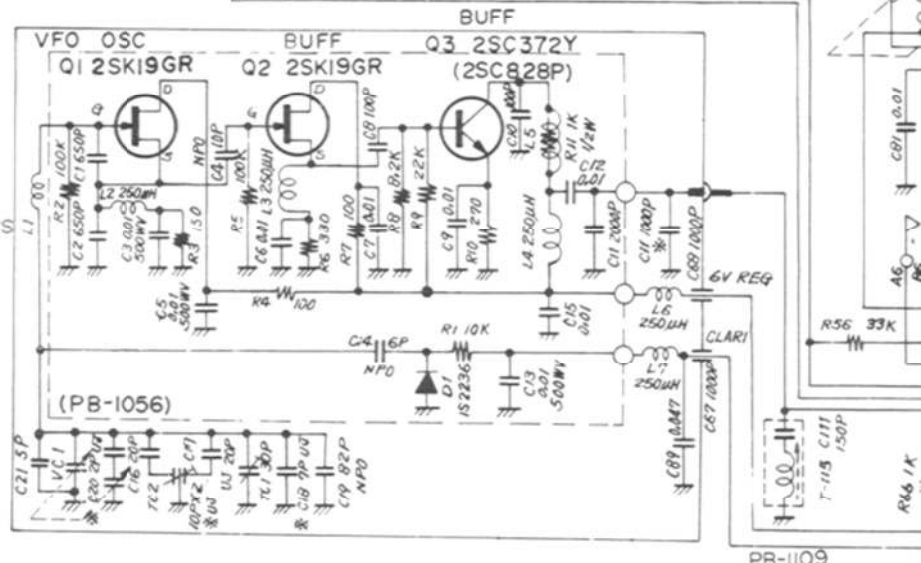
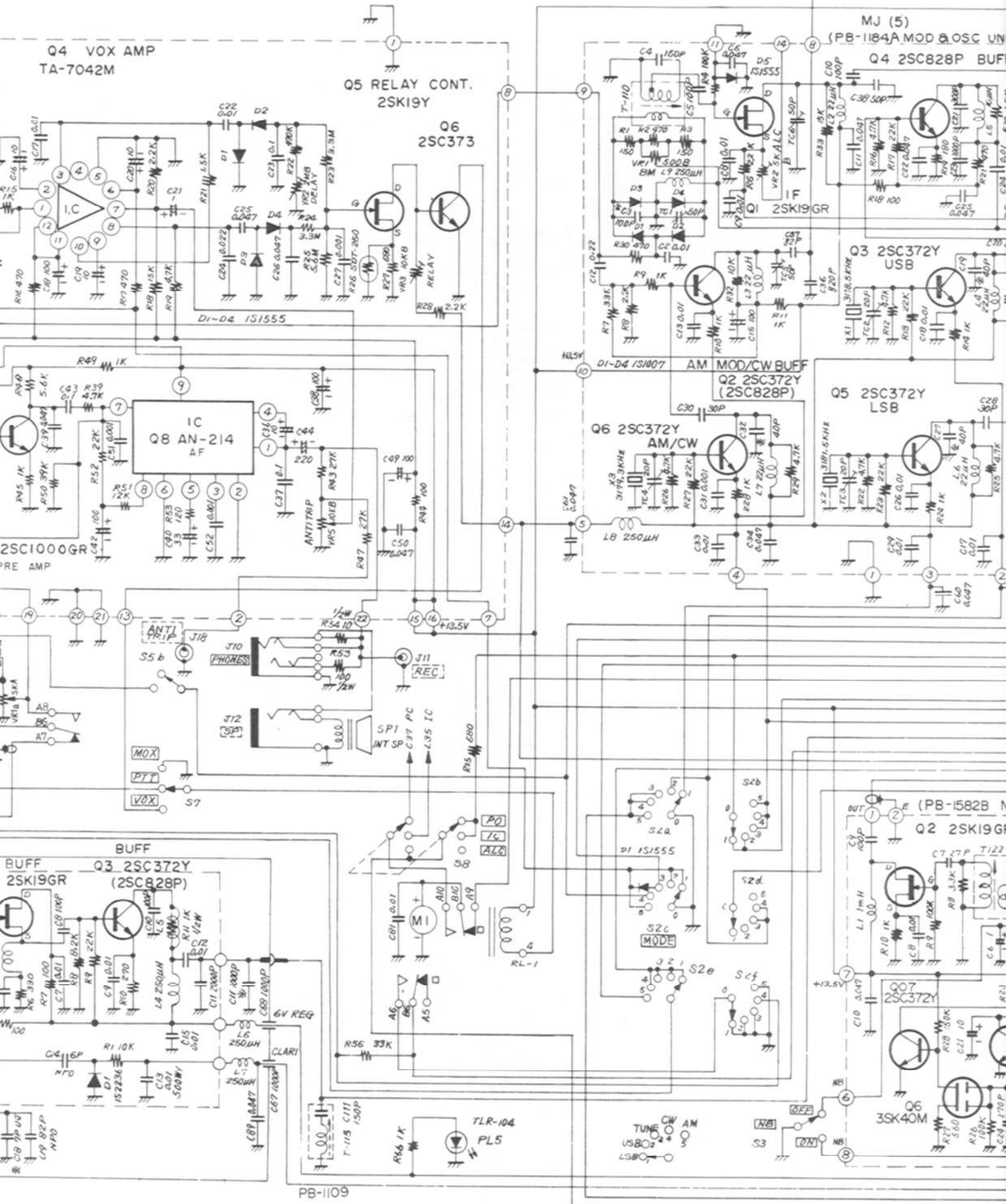


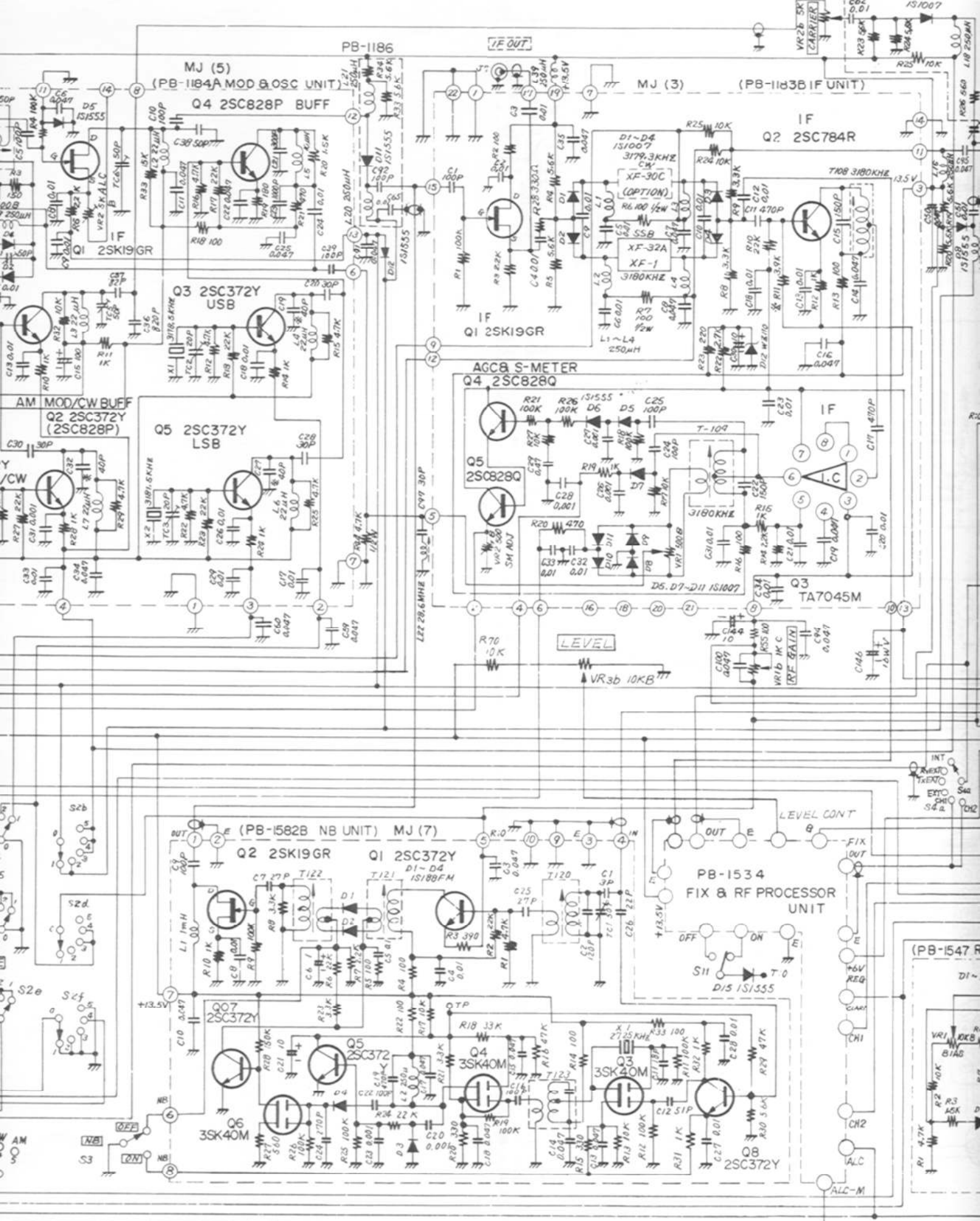
- NOTES
1. ALL RESISTORS ARE IN 1/4W UNLESS OTHERWISE NOTED.
 2. ALL CAPACITORS ARE IN μ F UNLESS OTHERWISE NOTED.
 3. ALL ELECTROLYTIC CAPACITORS ARE 16WV UNLESS OTHERWISE NOTED.
 4. X VALUE IS NOMINAL.

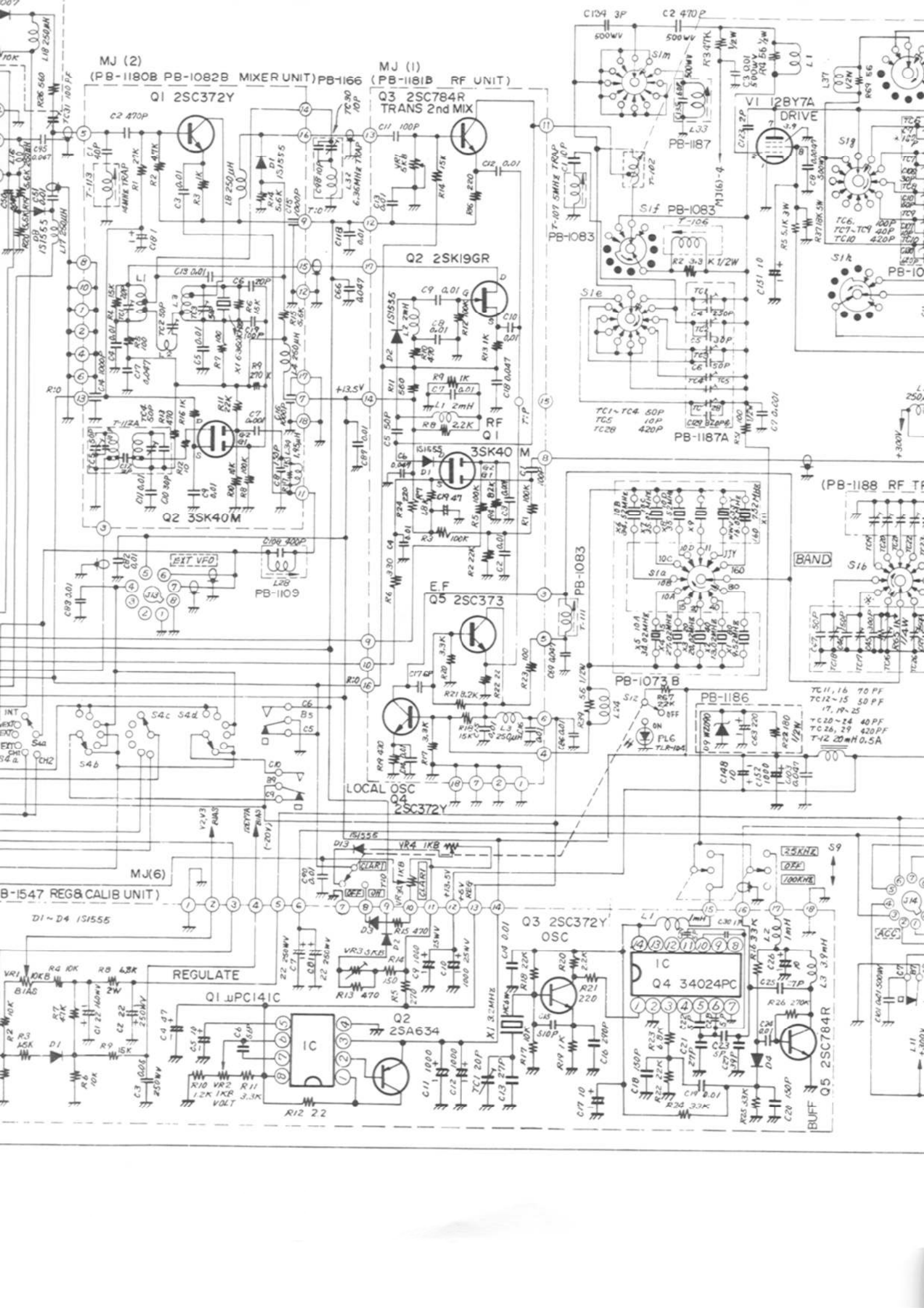
**FT-101E
CIRCUIT DIAGRAM**

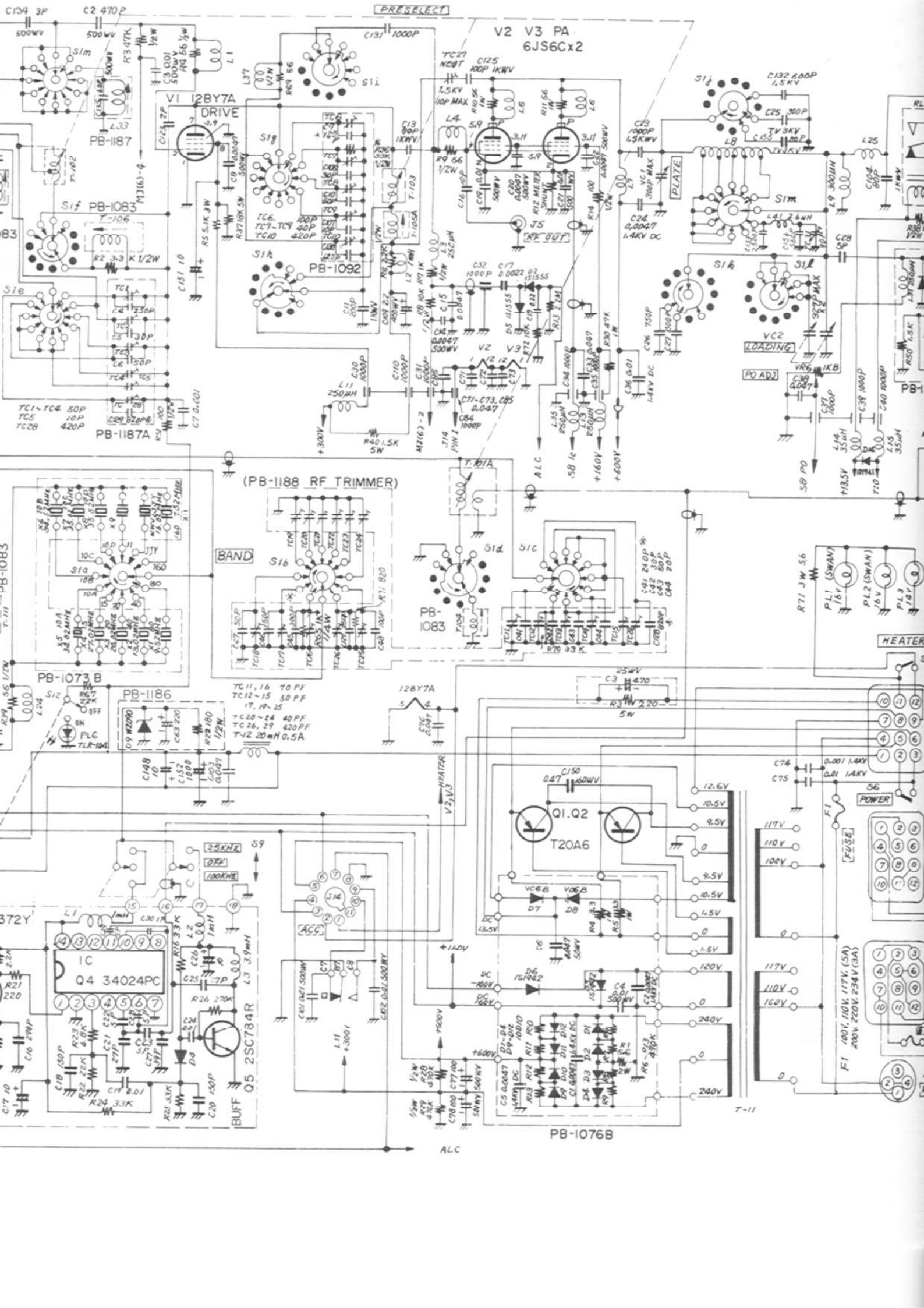


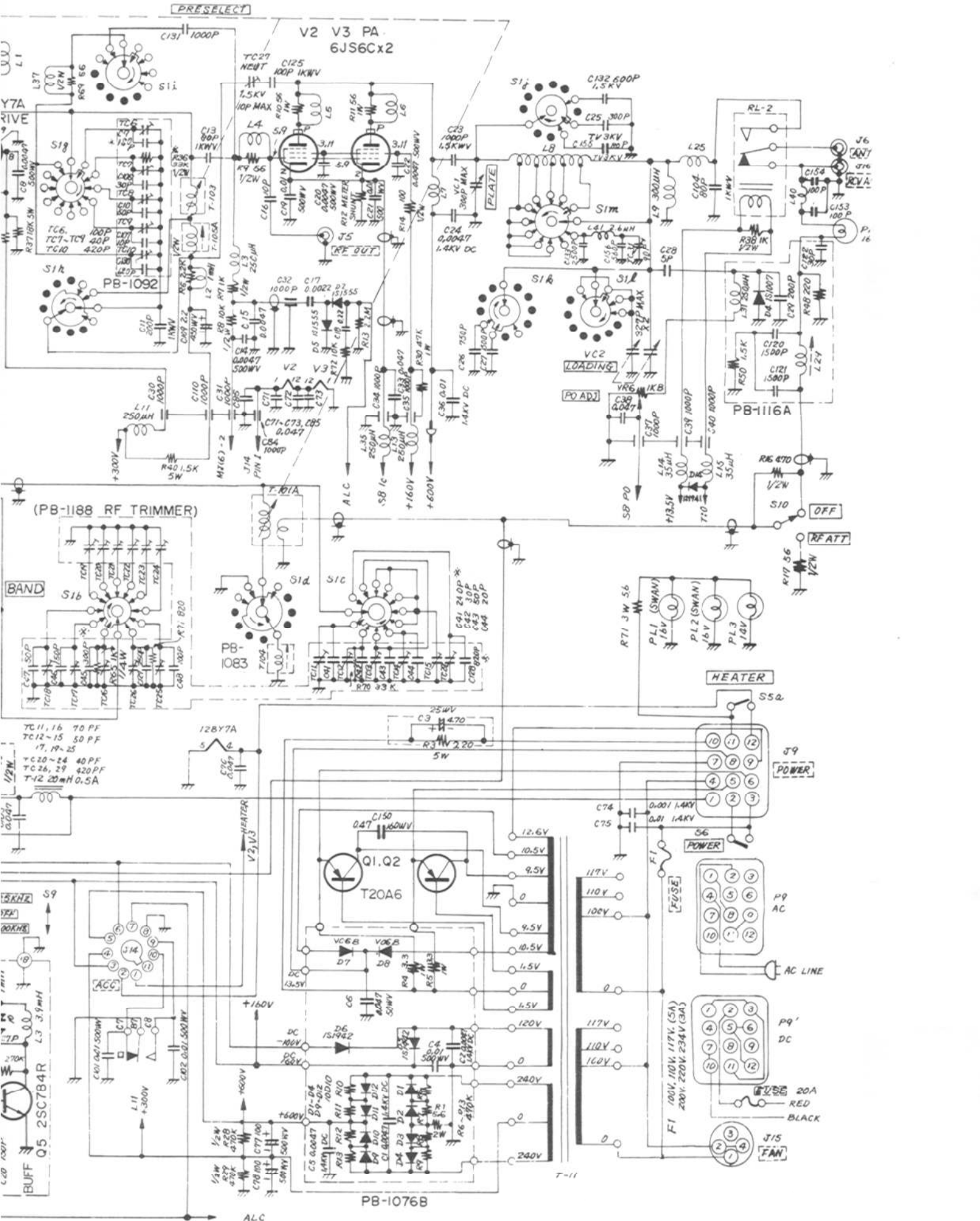


PB-1109









PRESELECT

V2 V3 PA
6JS6Cx2

Y7A
RIVE

TC27
NEUT

TC6
TC7-TC9
40P
TC10
420P

(PB-I188 RF TRIMMER)

BAND
TC11, 16 70 PF
TC12-15 50 PF
17, 19-25
TC20-24 40 PF
TC26, 29 420 PF
T-12 20mH 0.5A

TC20-24 40 PF
TC26, 29 420 PF
T-12 20mH 0.5A

5KHZ
10KHZ
20KHZ

Q5 2SC784R
L3 3.9mH

PB-I076B

T-11

F1 100V, 10V, 117V, (5A)
200V, 220V, 234V (3A)

FUSE 20A
RED
BLACK

J15 FAN

P9' DC

P9 AC

POWER

POWER

HEATER

PL1 (SWAN)
16V
PL2 (SWAN)
16V
PL3
14V

OFF
RF ATT

LOADING
PO ADJ

PB-I116A

RL-2

J6
REV A