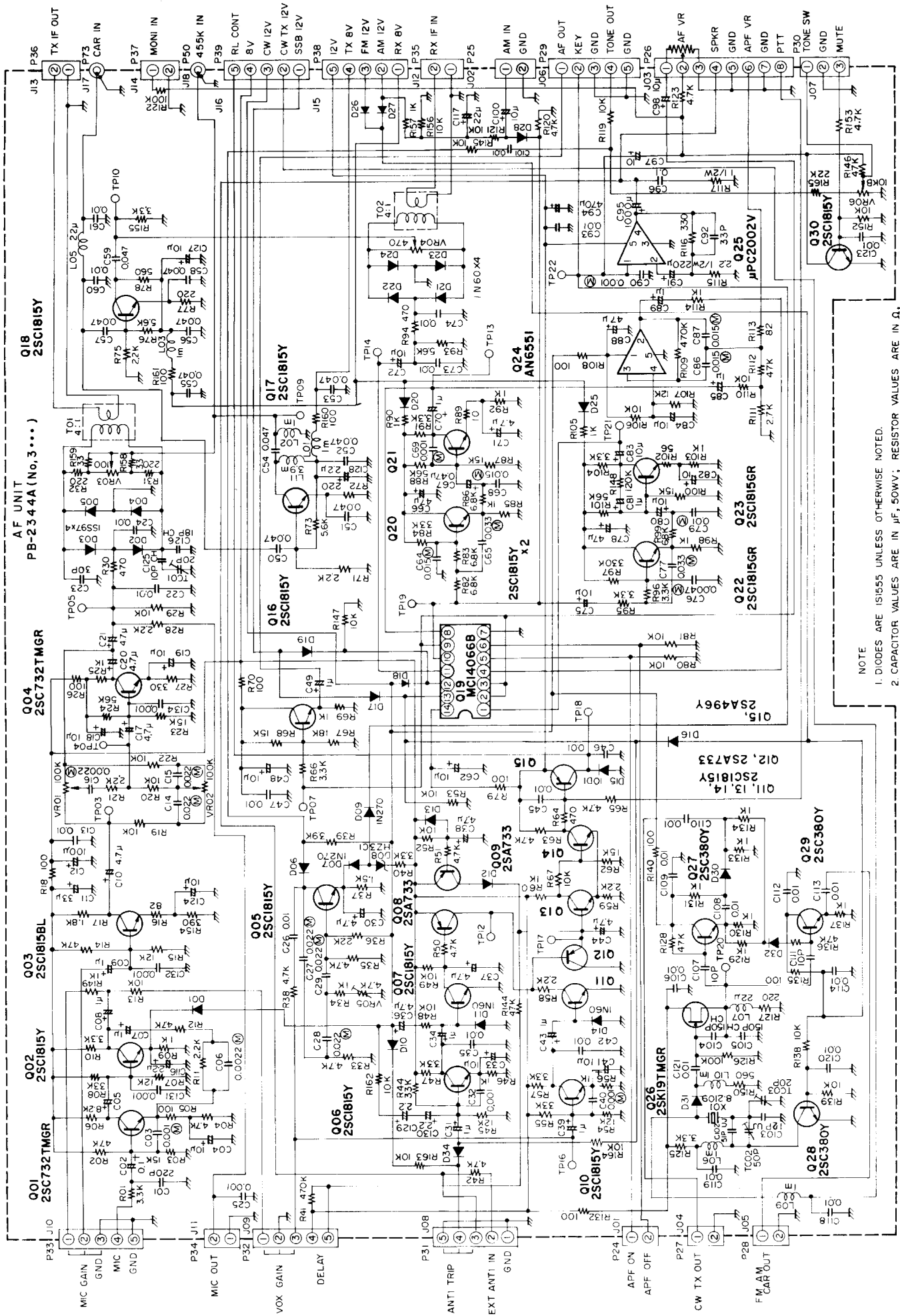


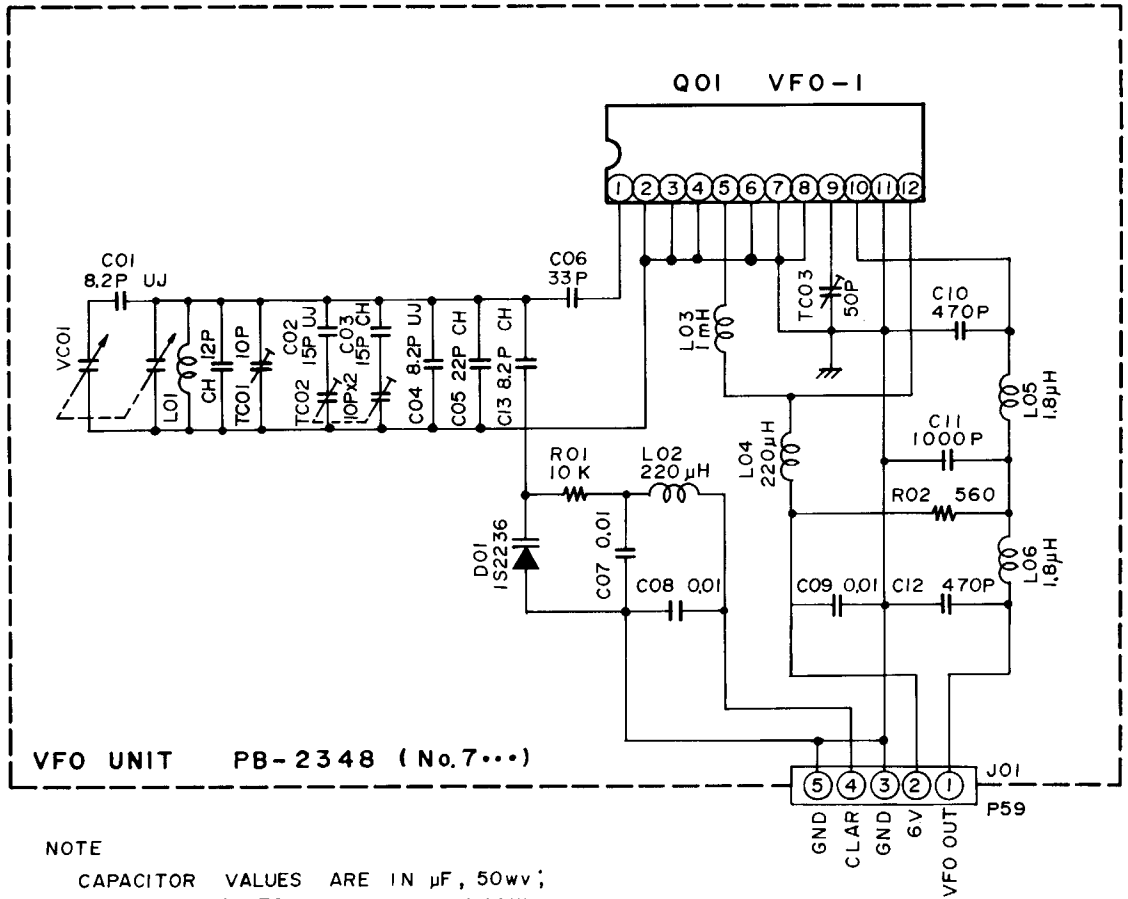
NOTE
CAPACITOR VALUES ARE IN μ F, 50WV; RESISTOR VALUES ARE IN Ω , 1/4W;
AND INDUCTOR VALUES ARE IN HENRIES UNLESS OTHERWISE NOTED.

This Manual Provided
Courtesy of Greg, VA3VFO
va3vfo@arrl.org



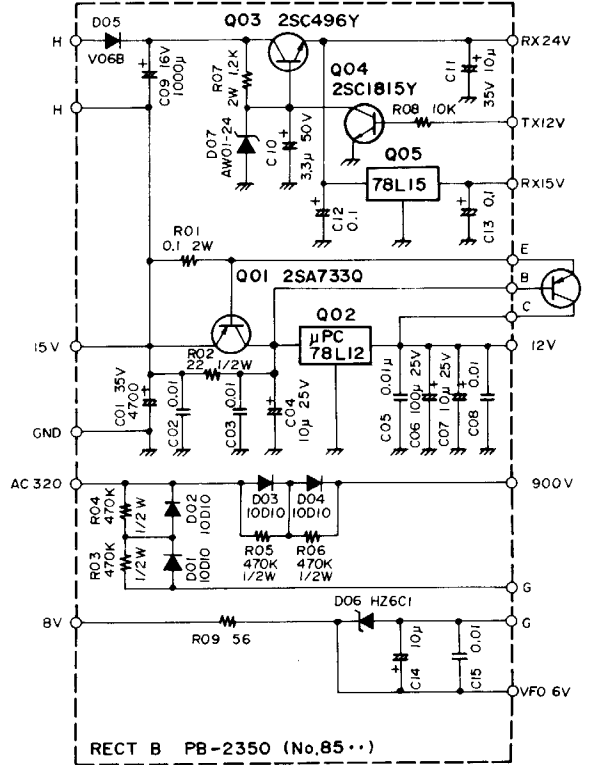
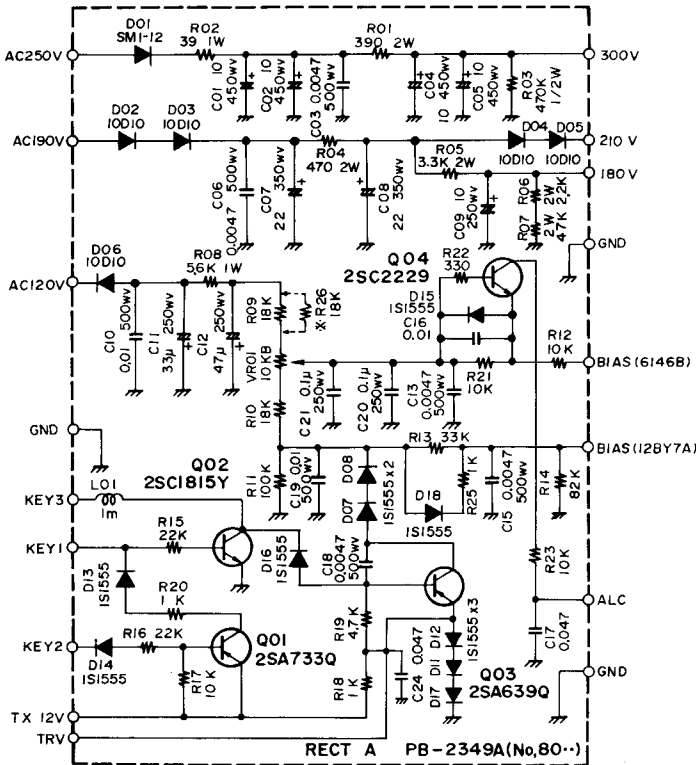
NOTE
 1. DIODES ARE 1S1555 UNLESS OTHERWISE NOTED.
 2. CAPACITOR VALUES ARE IN μF, 50WV; RESISTOR VALUES ARE IN Ω,
 1/4W; AND INDUCTOR VALUES ARE IN HENRIES UNLESS OTHERWISE NOTED.

This Manual Provided
 Courtesy of Greg, VA3VFO
 va3vfo@rac.ca



NOTE

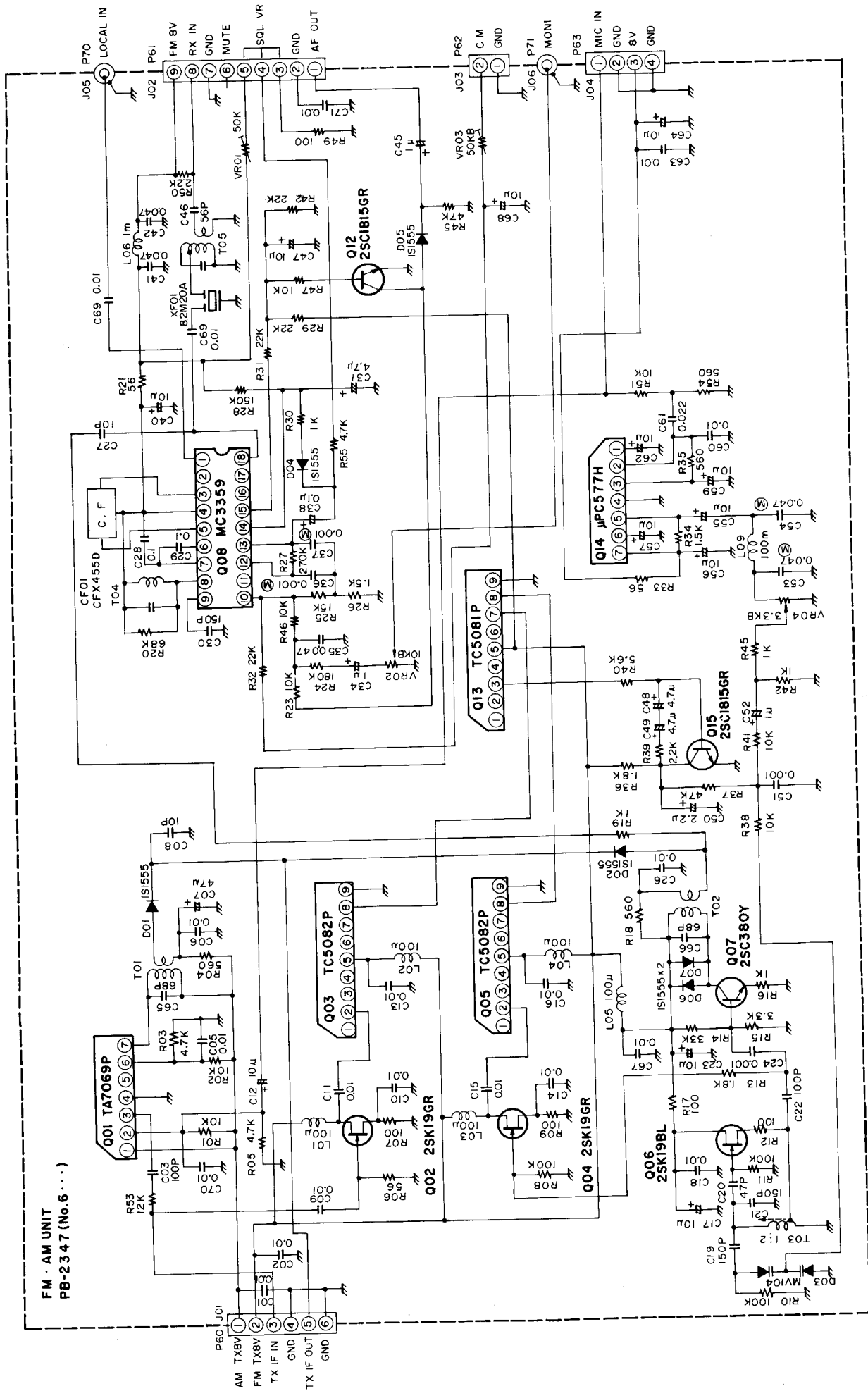
CAPACITOR VALUES ARE IN μF , 50wv;
RESISTOR VALUES ARE IN Ω , 1/4W.



NOTE

CAPACITOR VALUES ARE IN μF , 50wv; RESISTOR VALUES
ARE IN Ω , 1/4W; AND INDUCTOR VALUES ARE IN
HENRIES UNLESS OTHERWISE NOTED.

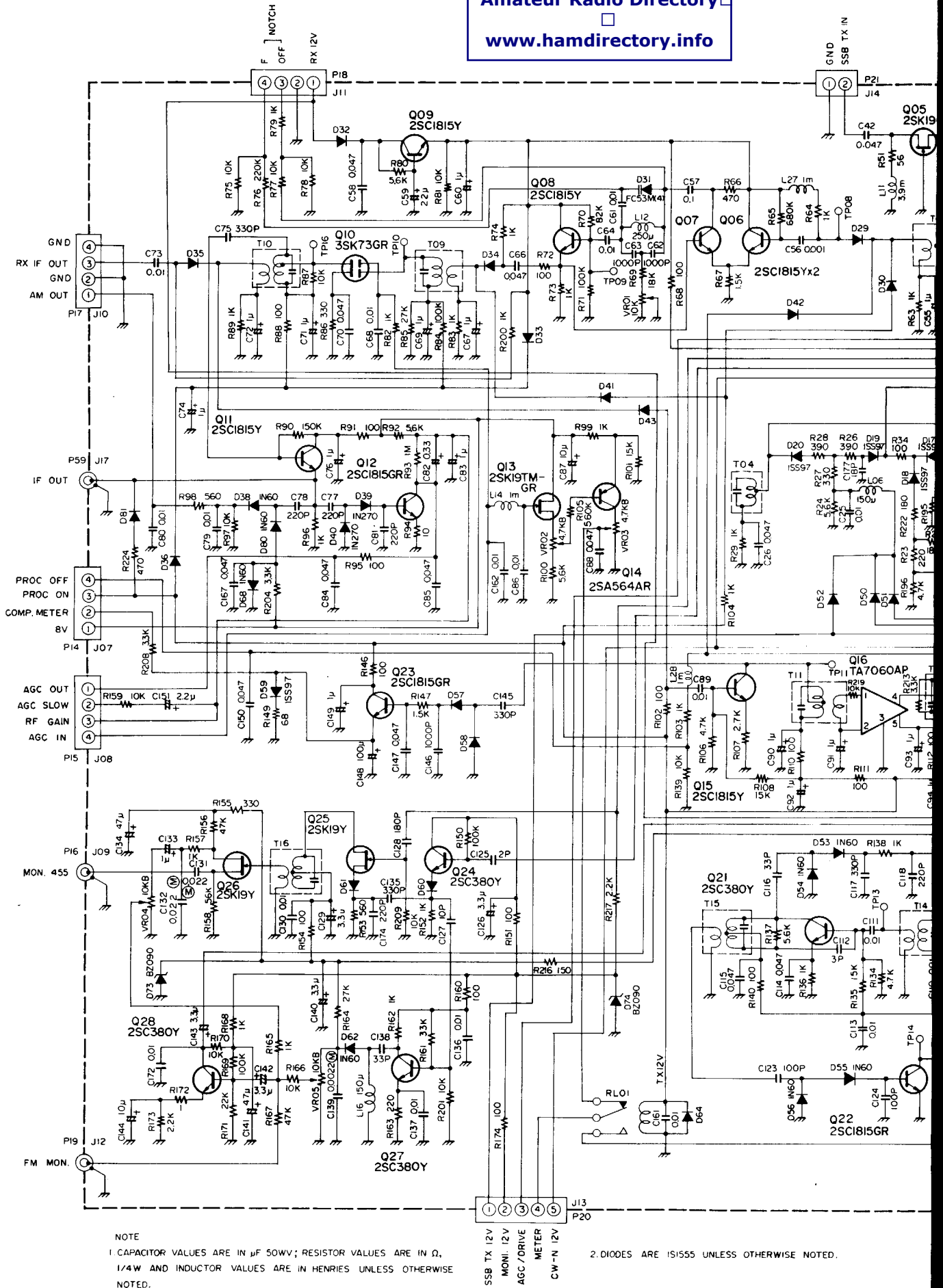
*This Manual Provided
Courtesy of Greg. VA3VFO
va3vfo@rac.ca*



FM · AM UNIT
PB-2347 (No. 6...)

This Manual Provided
Courtesy of Greg. VA3VFO
va3vfo@rac.ca

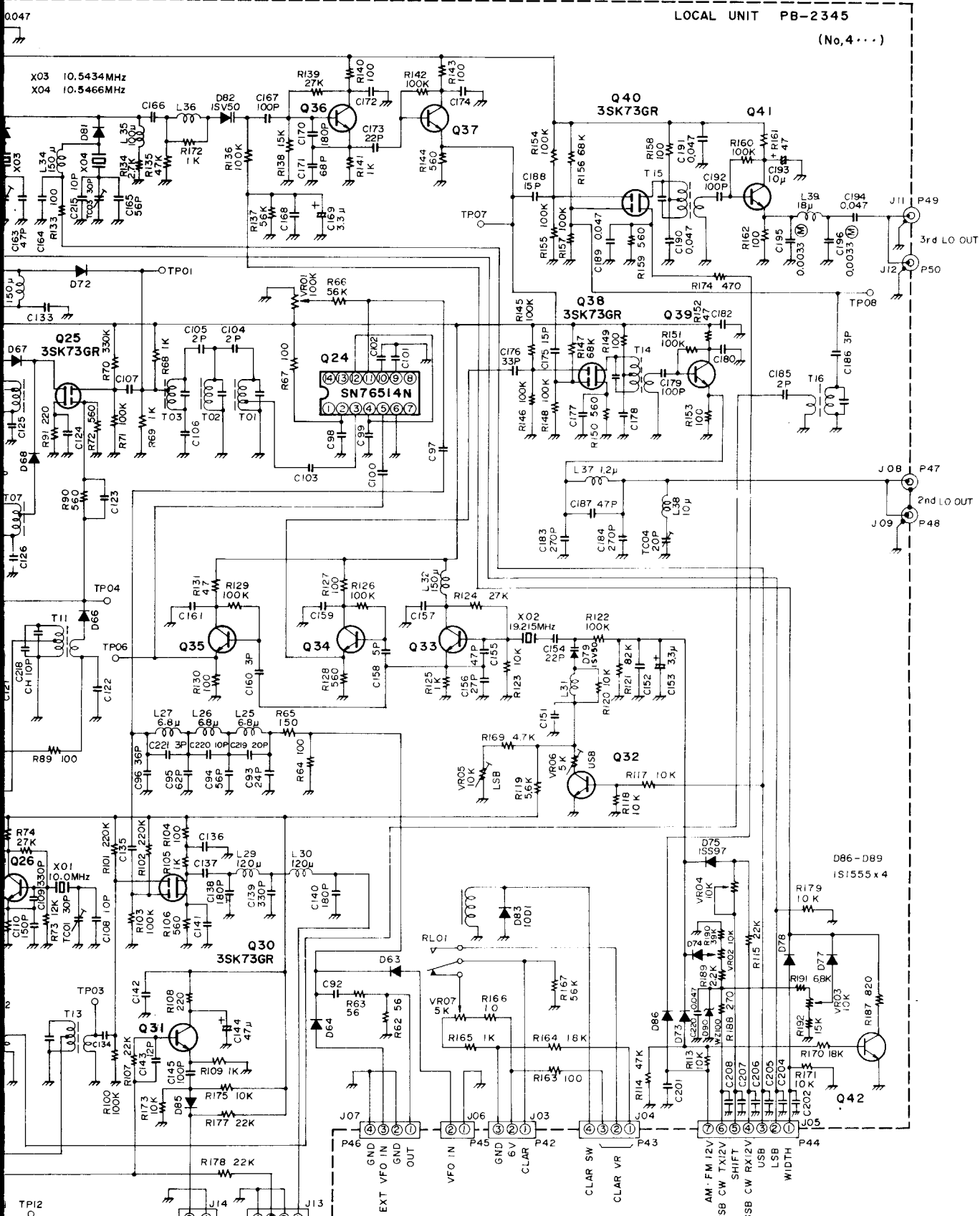
NOTE
CAPACITOR VALUES ARE IN μF, 50WV ; RESISTOR VALUES ARE IN Ω, 1/4W ;
AND INDUCTOR VALUES ARE IN HENRIES UNLESS OTHERWISE NOTED.



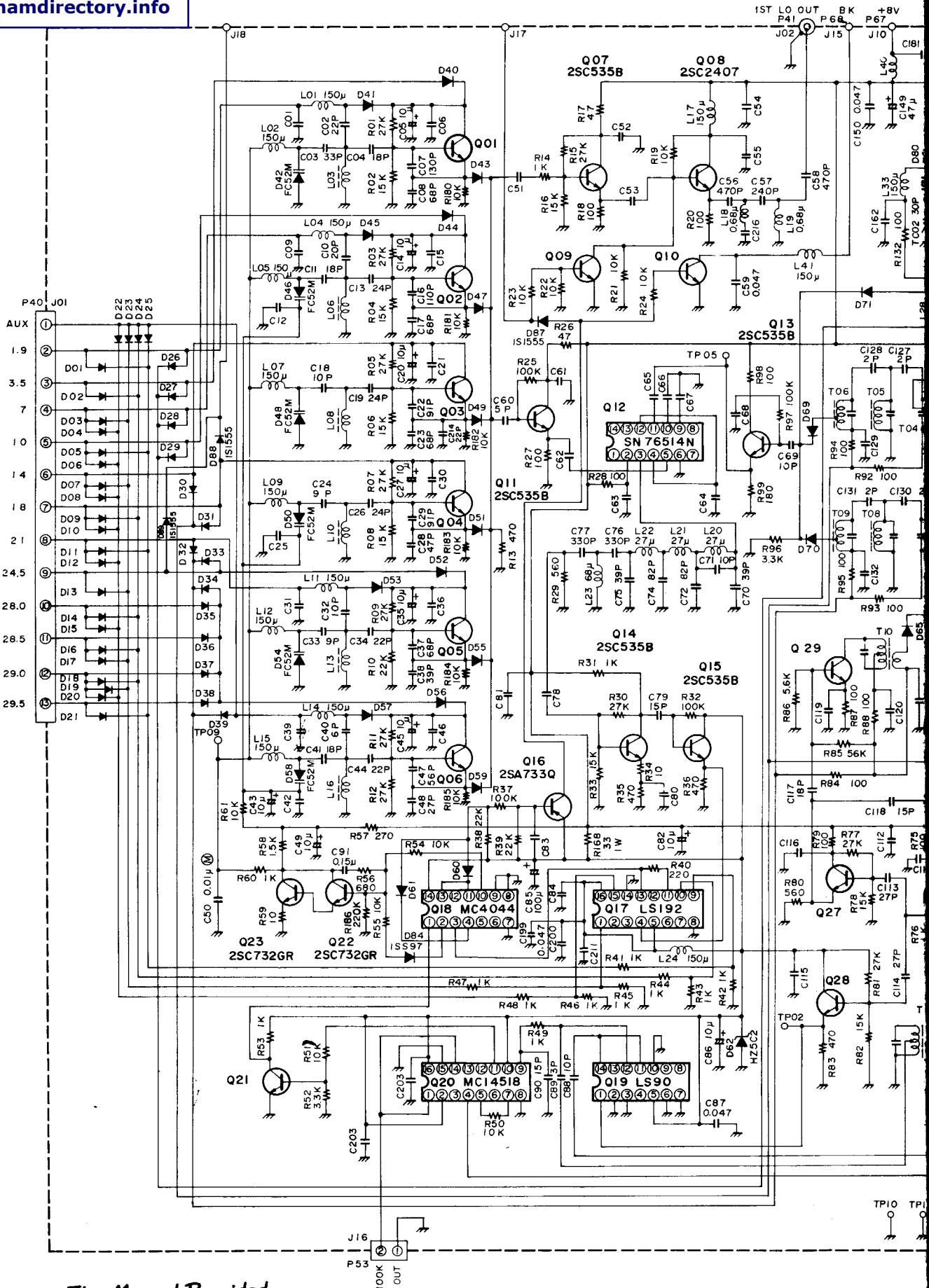
NOTE
 1. CAPACITOR VALUES ARE IN μ F 50WV; RESISTOR VALUES ARE IN Ω ,
 1/4W AND INDUCTOR VALUES ARE IN HENRIES UNLESS OTHERWISE
 NOTED.

2. DIODES ARE 1S1555 UNLESS OTHERWISE NOTED.

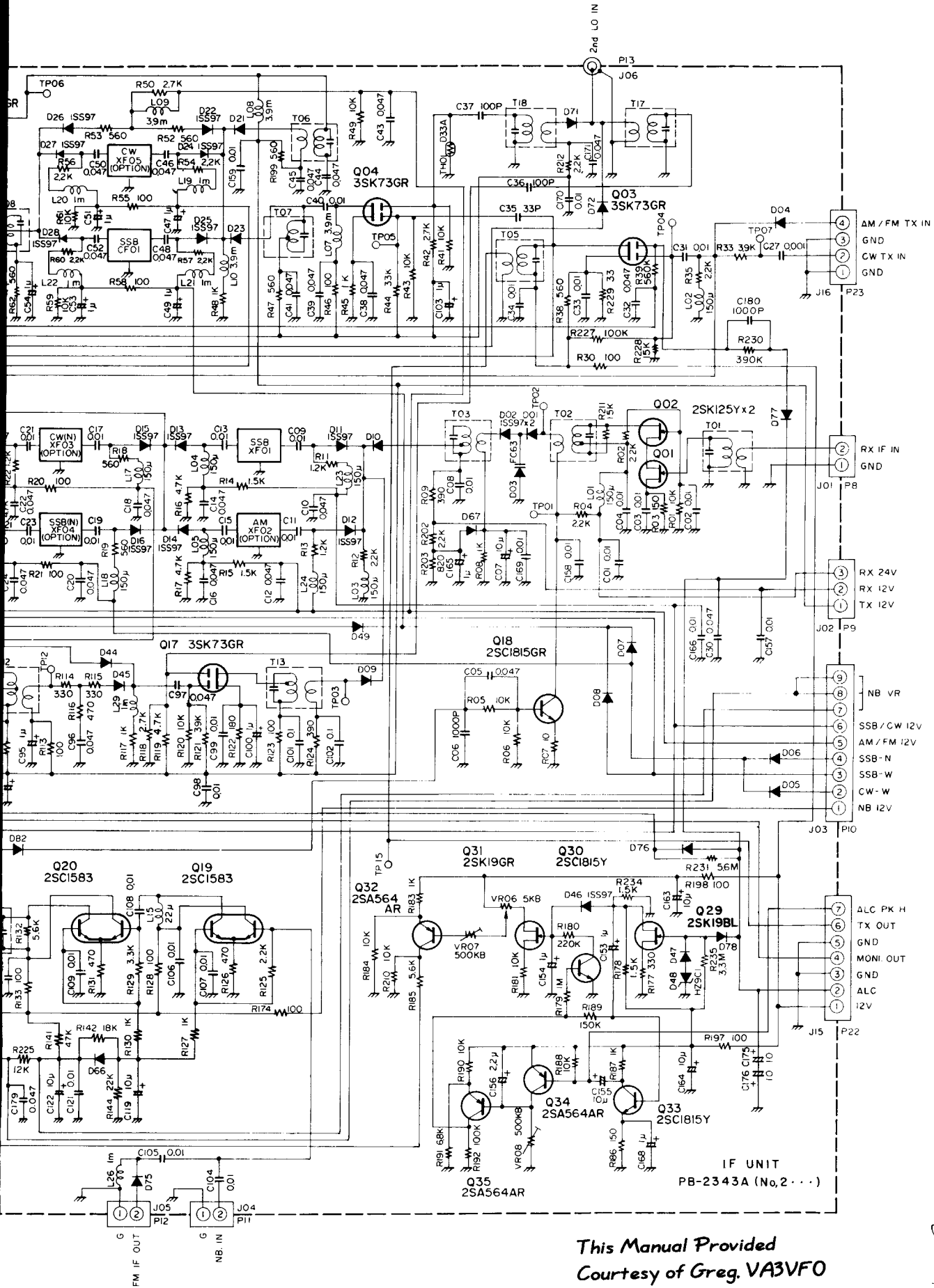
This Manual Provided
 Courtesy of Greg, VA3VFO
 va3vfo@rac.ca



- NOTE
1. TRANSISTORS ARE 2SC945Q UNLESS OTHERWISE NOTED.
 2. DIODES ARE 1S553 UNLESS OTHERWISE NOTED.
 3. CAPACITORS ARE IN 0.01µF UNLESS OTHERWISE NOTED.
 4. CAPACITOR VALUES ARE IN µF, 50wv; RESISTOR VALUES ARE IN Ω, 1/4W; AND INDUCTOR VALUES ARE IN HENRIES UNLESS OTHERWISE NOTED.

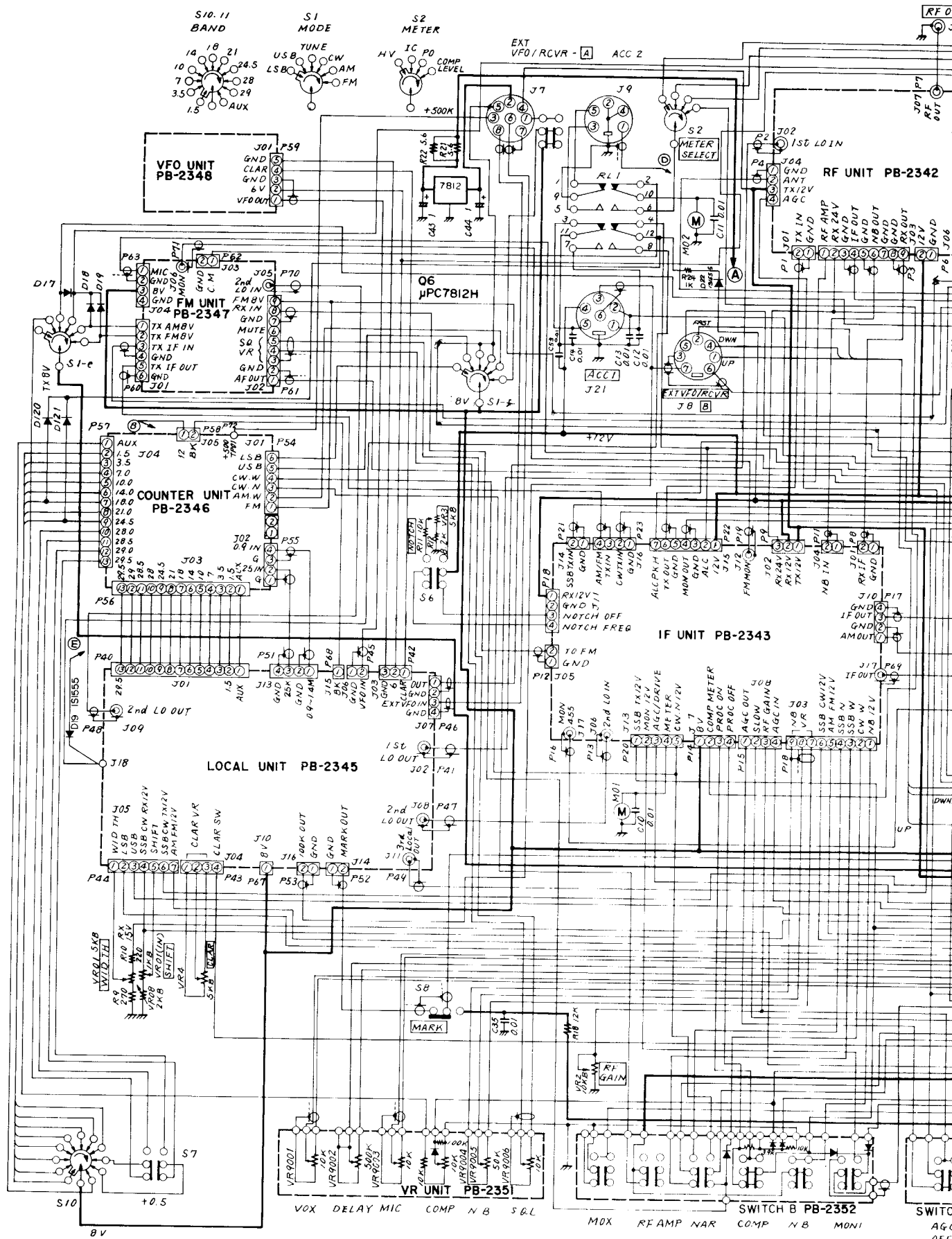


This Manual Provided
 Courtesy of Greg. VA3VFO
 va3vfo@rac.ca

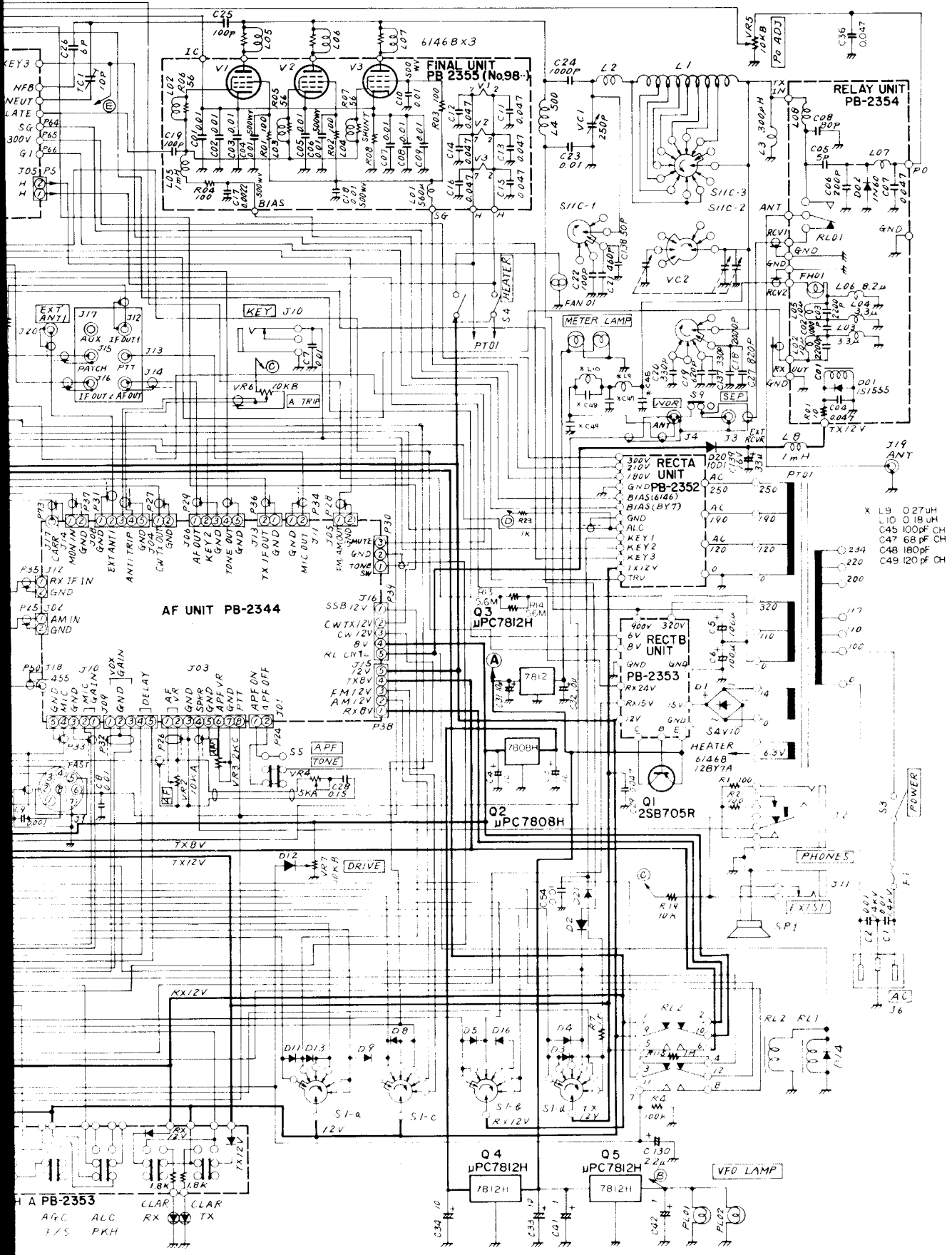


This Manual Provided
 Courtesy of Greg. VA3VFO
 va3vfo@rac.ca

FT-102

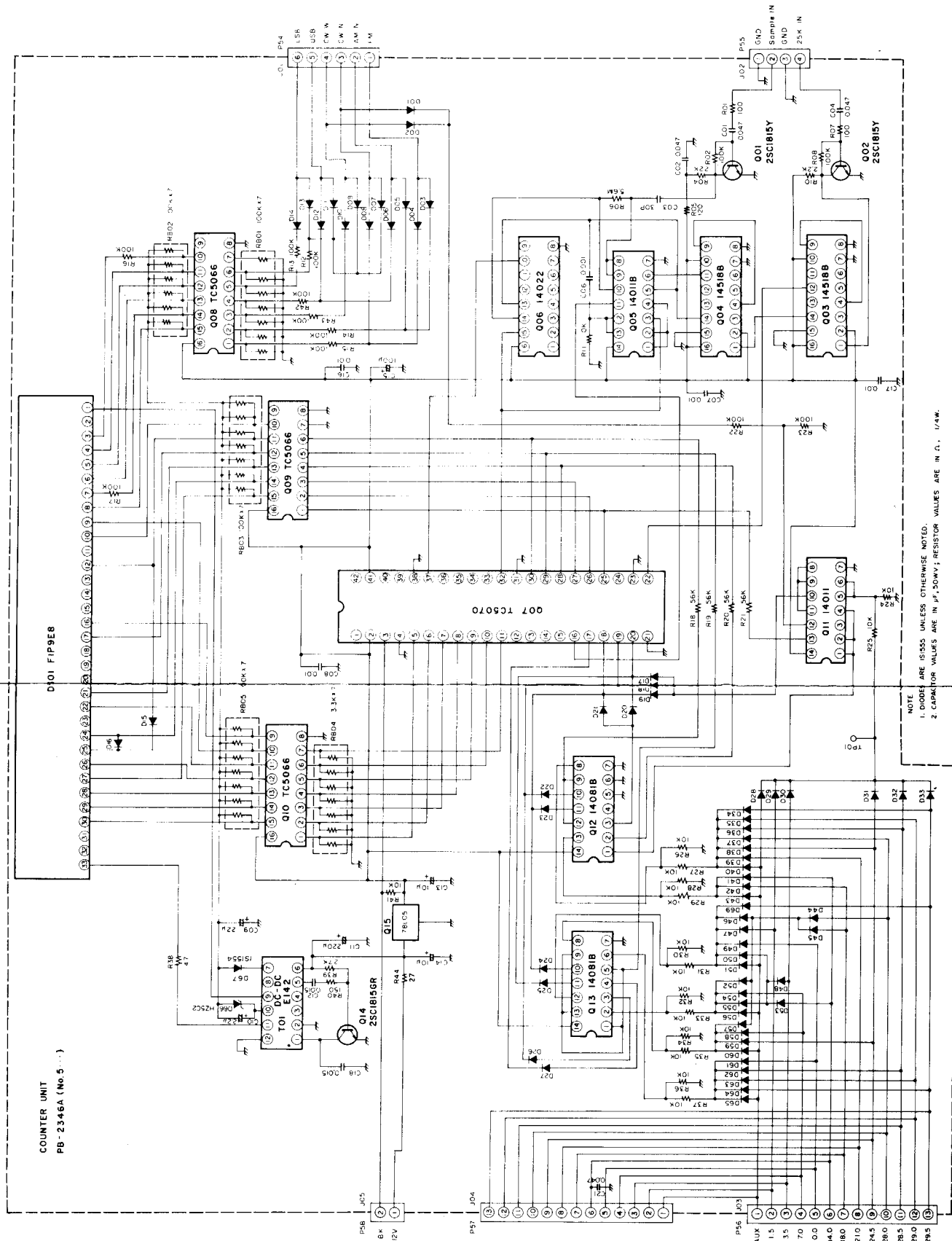


This Manual Provided
 Courtesy of Greg, VA3VFO
 va3vfo@rac.ca



- X L9 0.27uH
- L10 0.18uH
- C45 100pF CH
- C47 68pF CH
- C48 180pF
- C49 120pF CH

Fig. 102



COUNTER UNIT
PB-2346A (No. 5...)

NOTE
1. DIODES ARE 1S55 UNLESS OTHERWISE NOTED.
2. CAPACITOR VALUES ARE IN μ F; 100 μ F; RESISTOR VALUES ARE IN Ω , 1/K Ω .

This Manual Provided
Courtesy of Greg, VA3VFO
va3vfo@rac.ca