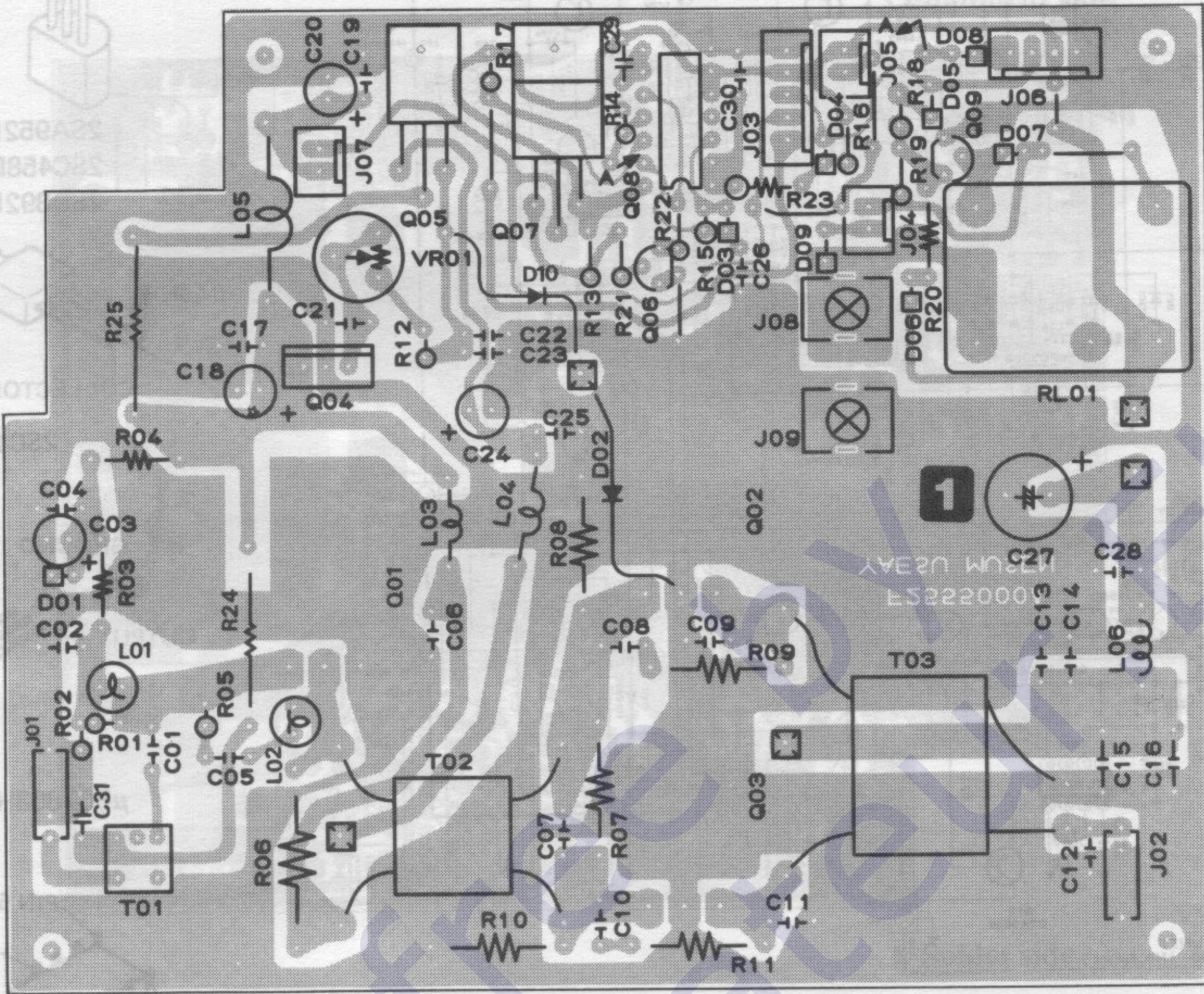
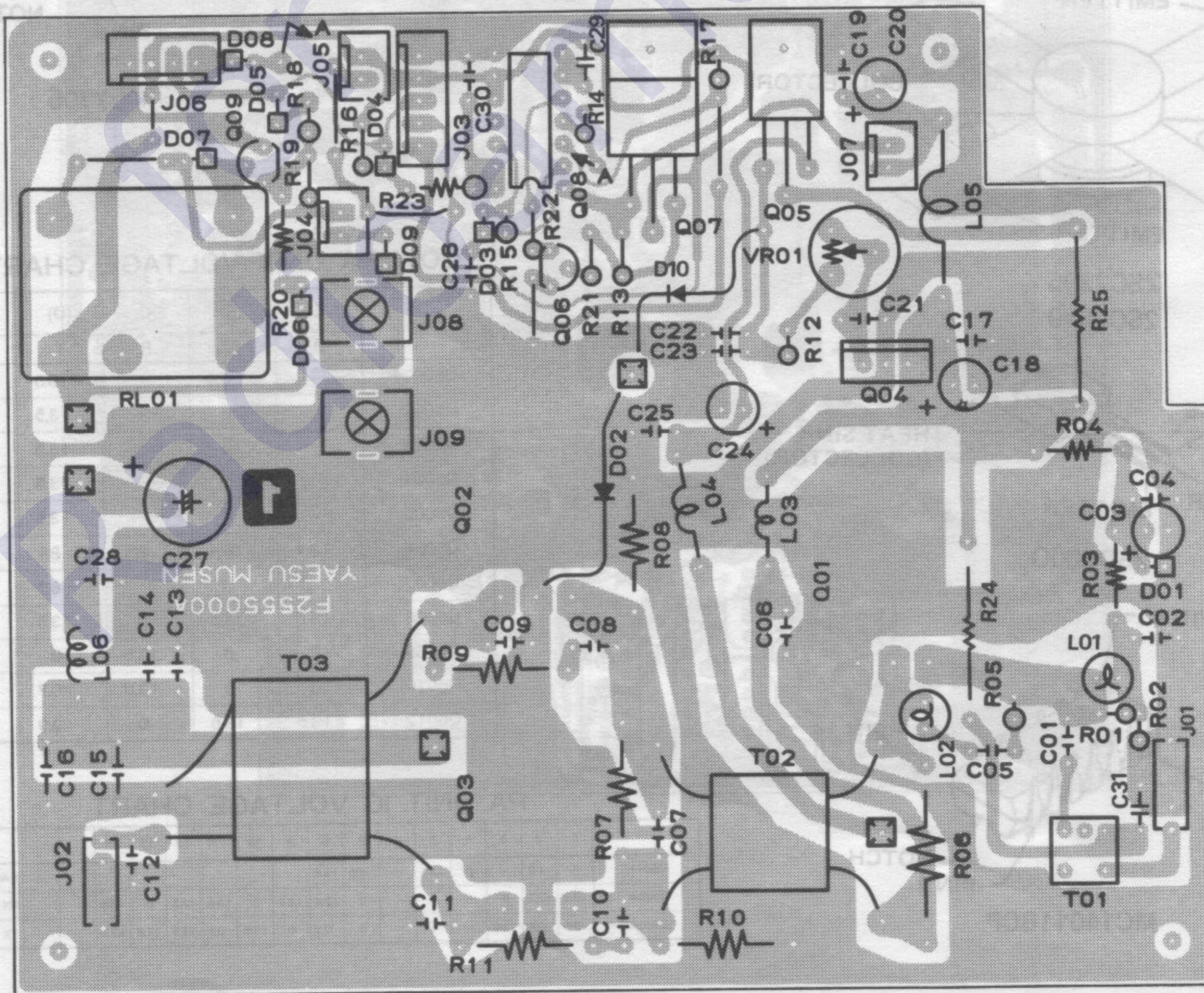


10W PA UNIT PARTS LAYOUT

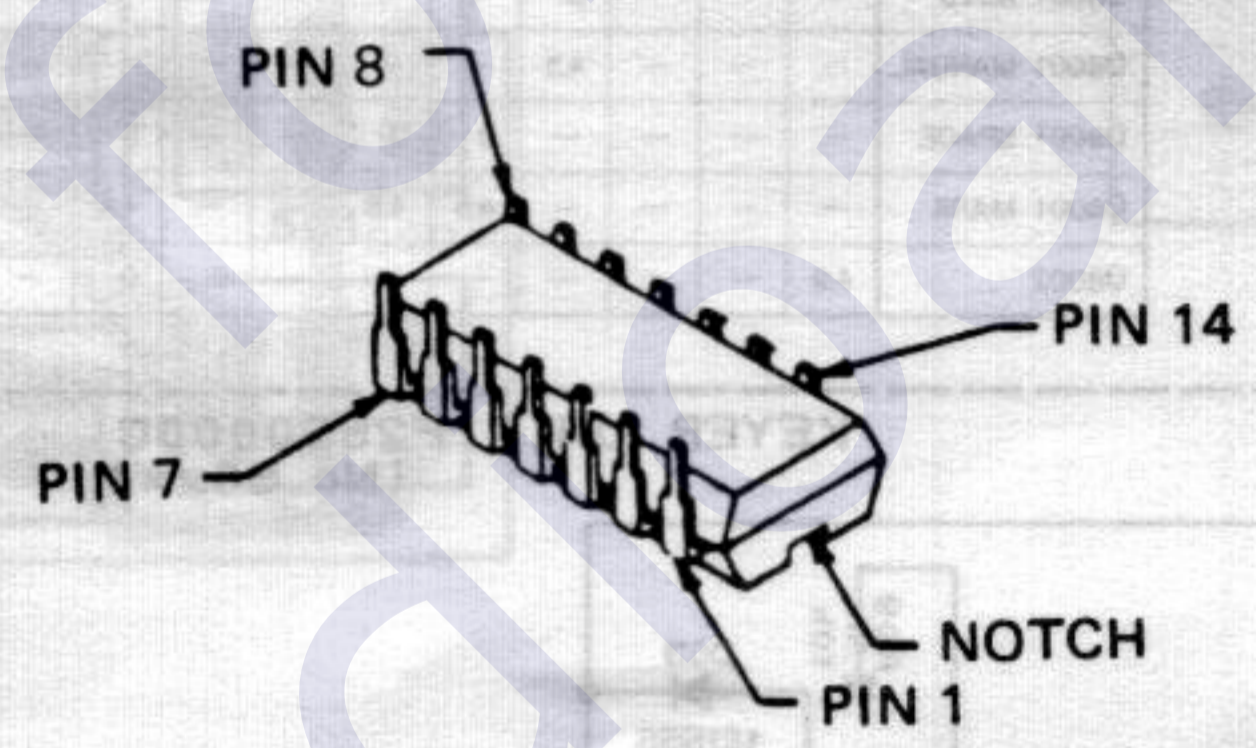
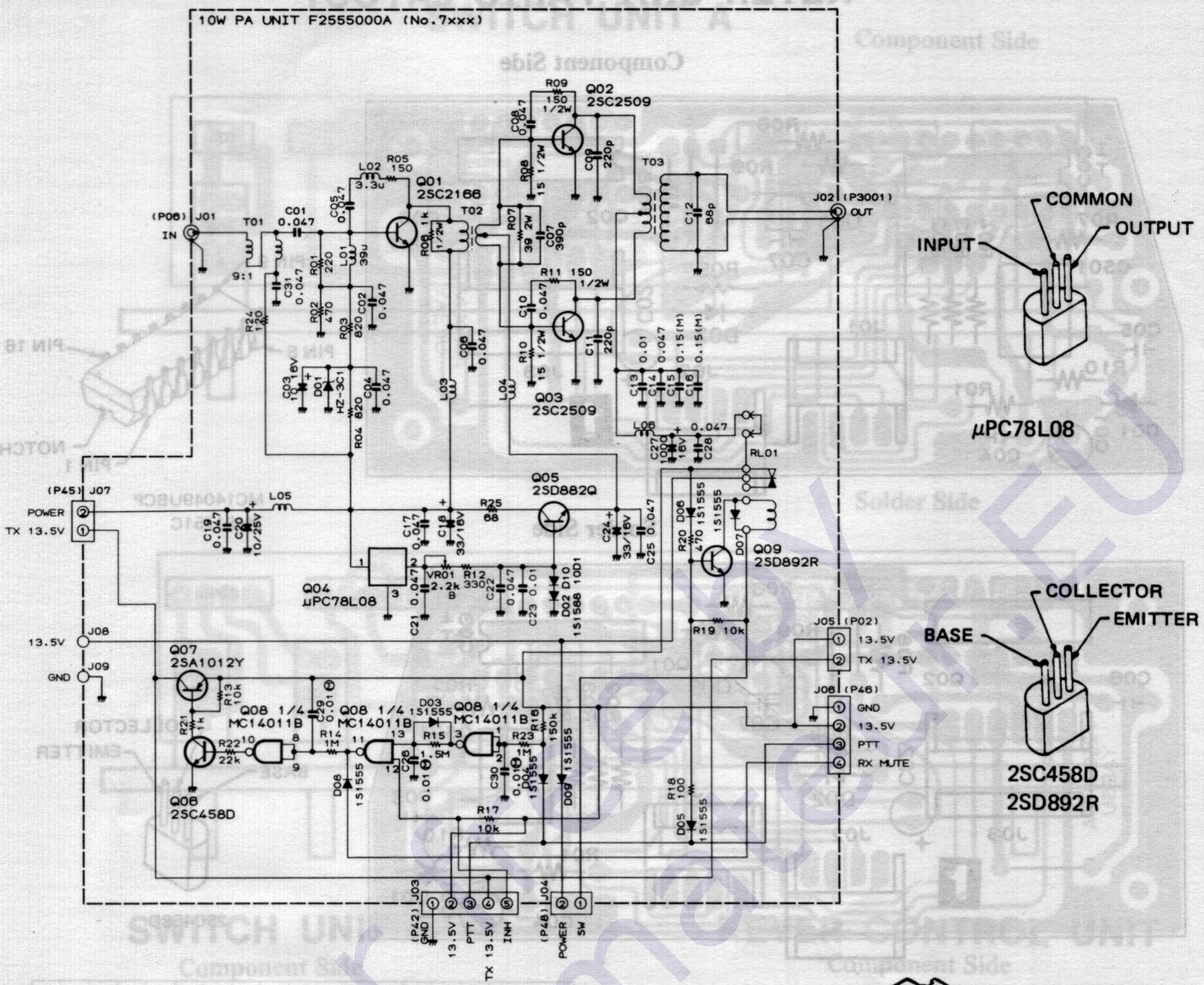
Component side



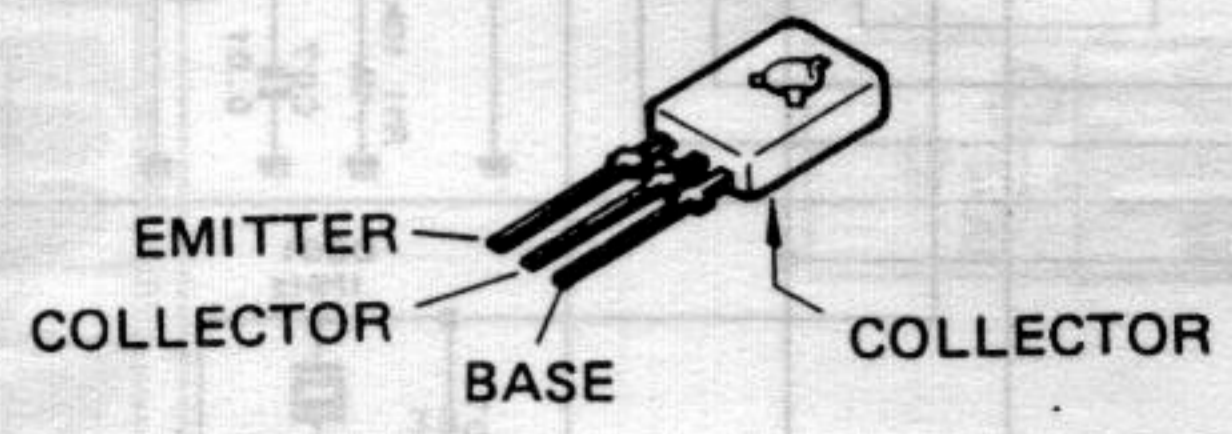
Solder side



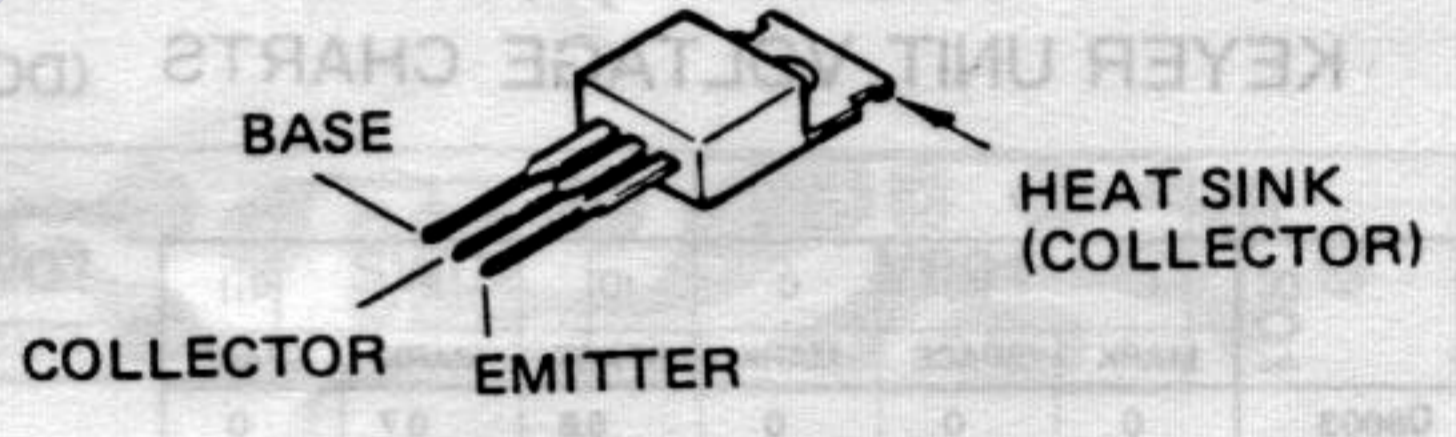
10W PA UNIT F2555000A (No.7xxx)



MC14011BCP



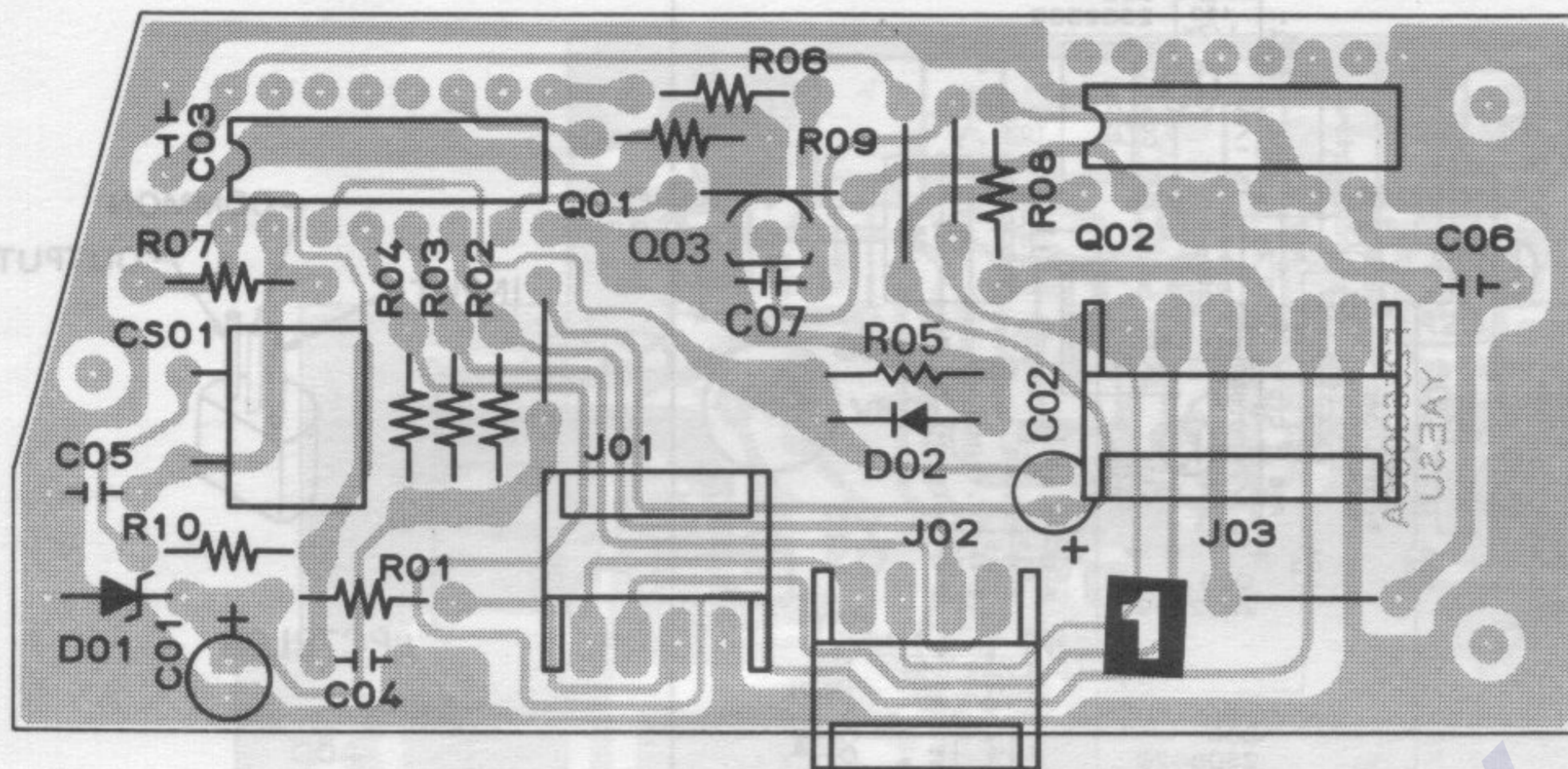
2SD882Q



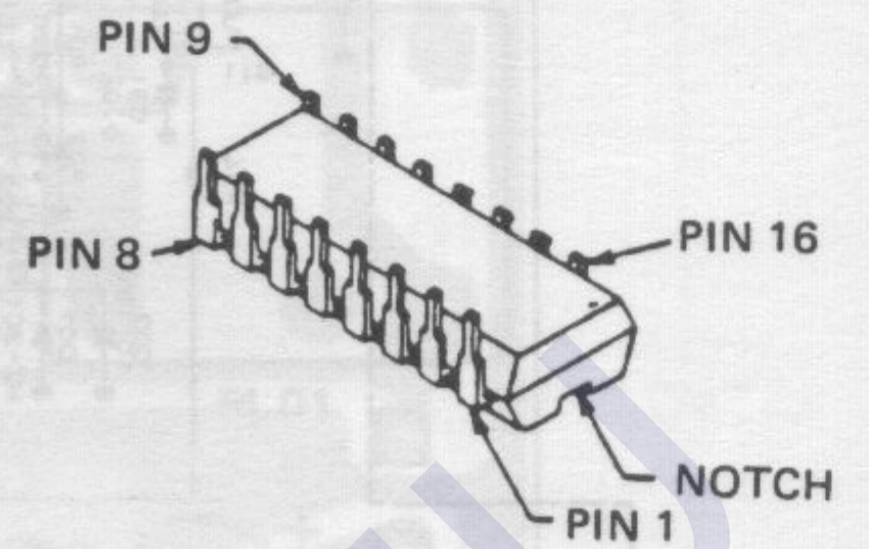
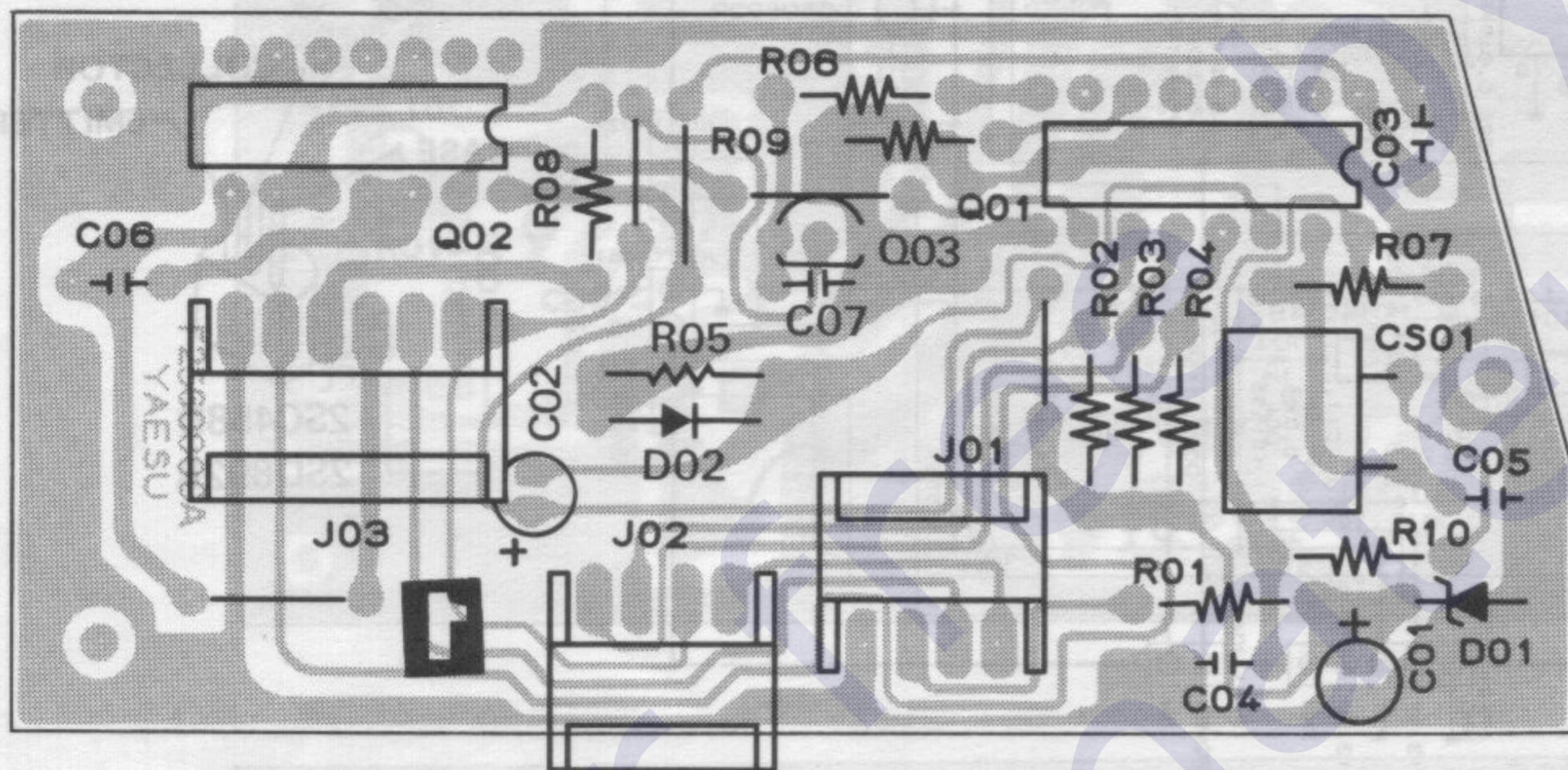
2SA1012Y
25C2166
25C2509

10W PA KEYER UNIT PARTS LAYOUT

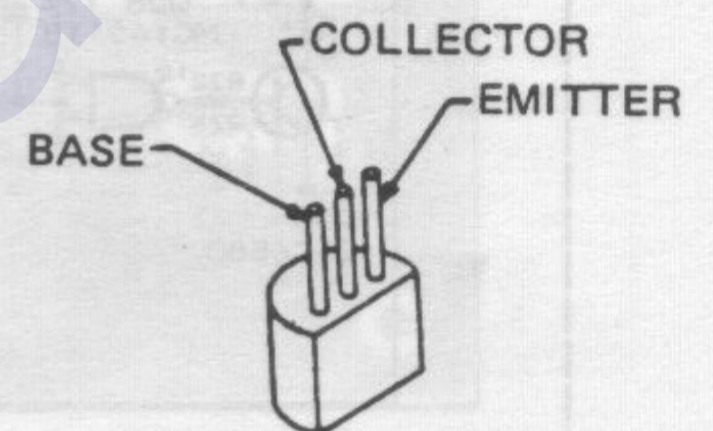
Component Side



Solder Side



MC14049UBCP
TMS1751C

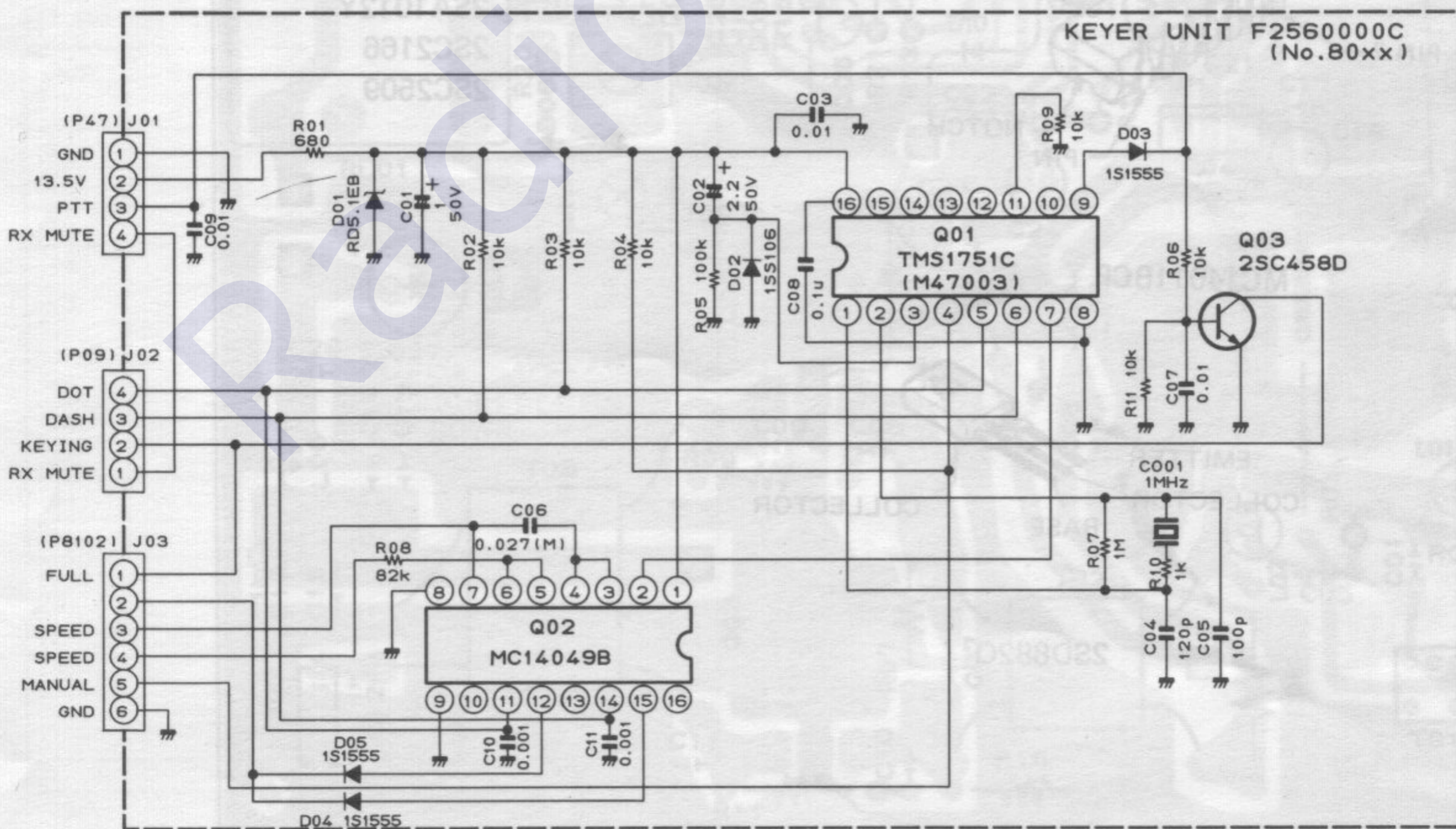


2SC458D

KEYER UNIT VOLTAGE CHARTS (DC VOLTS)

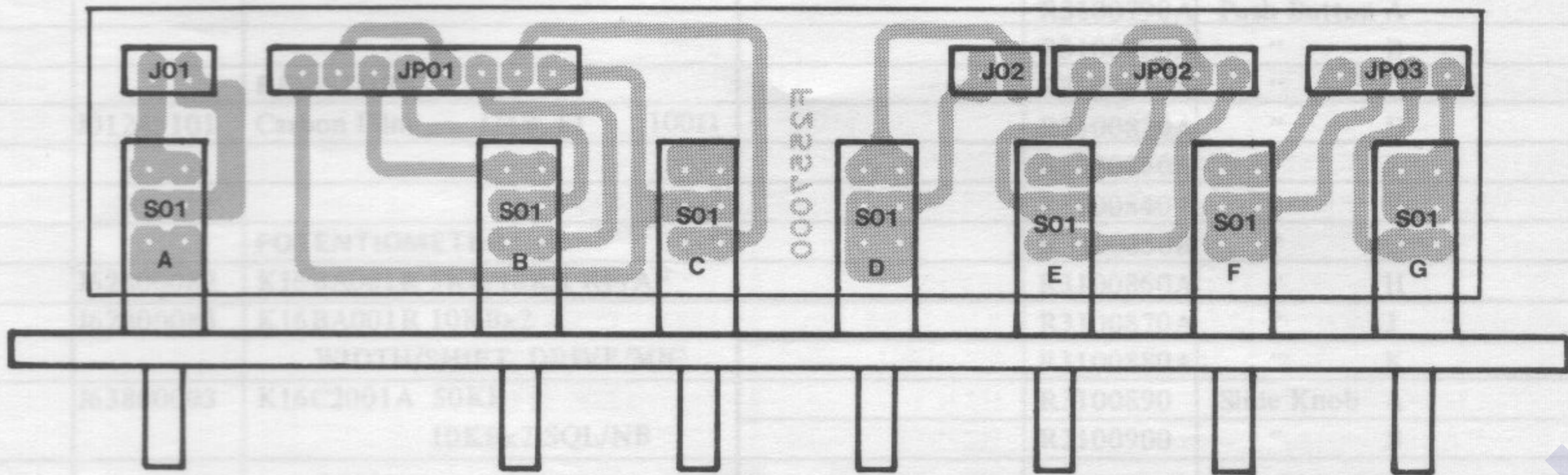
	E (S)		C (D)		B (G ₁)	
	MARK	SPACE	MARK	SPACE	MARK	SPACE
Q8003	0	0	0	6.8	0.7	0

	1	2	3	4	5	6	7	8	9	10	11	12	13	14	15	16
Q8001 AUTO	-	-	-	0	-	-	-	-	-	-	-	-	-	-	-	5.0
Q8001 MANUAL	-	-	-	4.5	-	-	-	-	-	-	-	-	-	-	-	5.0
Q8001 SPACE	-	-	-	0	0	-	-	0	0	-	-	-	-	-	-	5.0
Q8001 MARK	-	-	-	4.5	4.5	-	-	4.8	4.8	-	-	-	-	-	-	5.0
Q8002	4.9	-	-	-	-	-	0	0	-	0	-	-	-	-	-	-

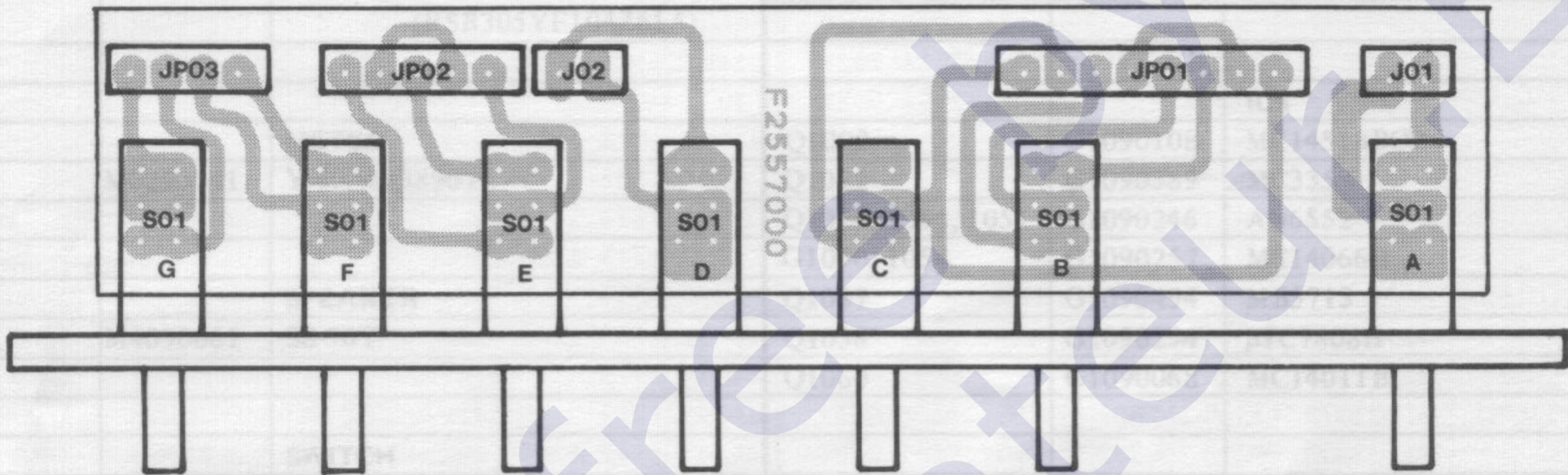


SWITCH UNIT A

Component Side

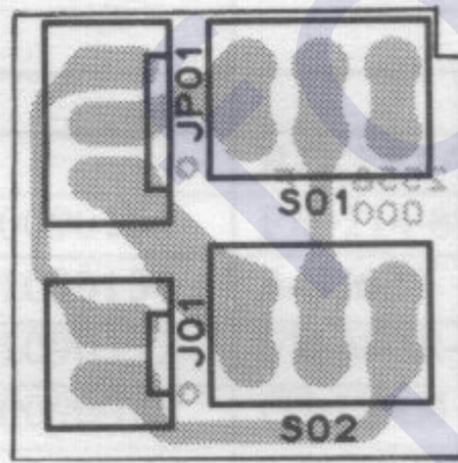


Solder Side

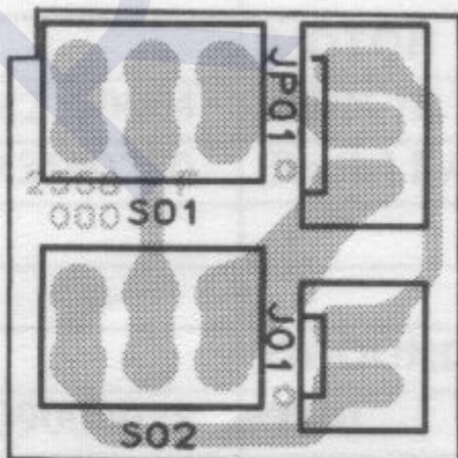


SWITCH UNIT B

Component Side

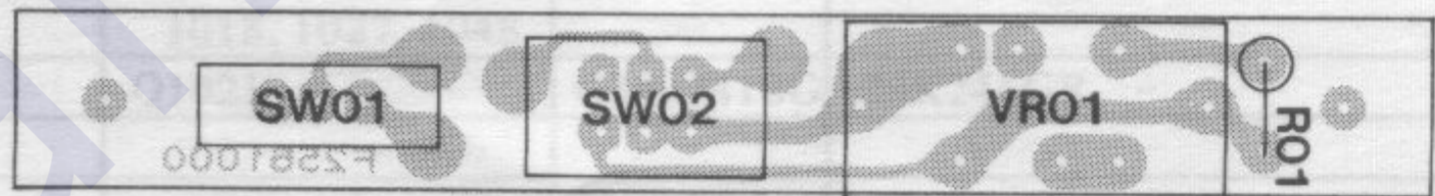


Solder Side



KEYER CONTROL UNIT

Component Side



Solder Side

