

INSTALLATION OF THE FTS-8 CTCSS TONE SQUELCH UNIT IN THE YAESU FT-767GX TRANSCEIVER

The FTS-8 is a programmable CTCSS (Continuous Tone Controlled Squelch System) which includes a subaudible tone generator for transmission and filter/detector for reception of 37 types of subaudible tones, used in VHF and UHF FM communications to allow silent monitoring of busy channels. Only those signals which are transmitted along with the selected subaudible tone frequency will open the squelch of receivers operating with tone squelch enabled. The FT-767GX is designed to operate with this feature when the SQL control is set to the fully counterclockwise (T SQL) position (for reception), and the T ENC switch is depressed (for transmission) when the Tone Burst Unit is not installed (the Tone Squelch and Tone Burst Units cannot both be installed together). Further operating details are provided in the FT-767GX Operating Manual.

Before beginning installation, disconnect the AC Power Cable from the rear panel.

(1) Place the FT-767GX upside down, and referring to Figure 1, remove the eight screws (two on either side, including those affixing the carrying handle, and four on the bottom) affixing the bottom cover. Remove the handle and cover.

(2) Referring to Figure 2, locate 6-pin white plastic connector J2018 and 8-pin connector J2019. Orient the FTS-8 so that it is aligned to mate with both of these jacks, and carefully press it into place.

(3) Again referring to Figure 2, locate jack J1014 on the IF Unit (the larger of the two circuit boards). This has a jumper plug installed in it, which must be removed (and may be discarded).

(4) If the Tone Burst Unit is not installed, skip this step. If the Tone Burst Unit is installed (it is supplied as standard in European versions), it must be disconnected. Referring to Figure 3, remove the two screws at the front edge of the top cover, and loosen the two screws affixing the front panel to the lower half of the chassis on either side. Then slide and tilt the front panel assembly forward. Locate the Tone Burst Unit as shown in Figure 4, and remove the two connectors, taping them out of the way. Replace and tighten the six screws removed or loosened above.

(5) Replace the bottom cover, carrying handle, and the 8 screws removed in step (1).

Installation is now complete. The tone output level is adjustable by VR1 on the FTS-8, but this has been preset at the factory, so no further adjustment is necessary.

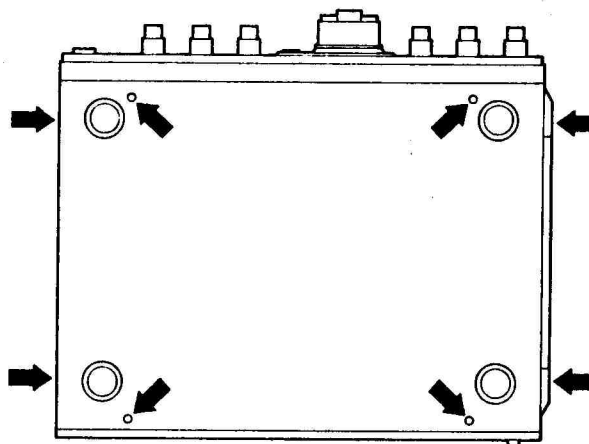
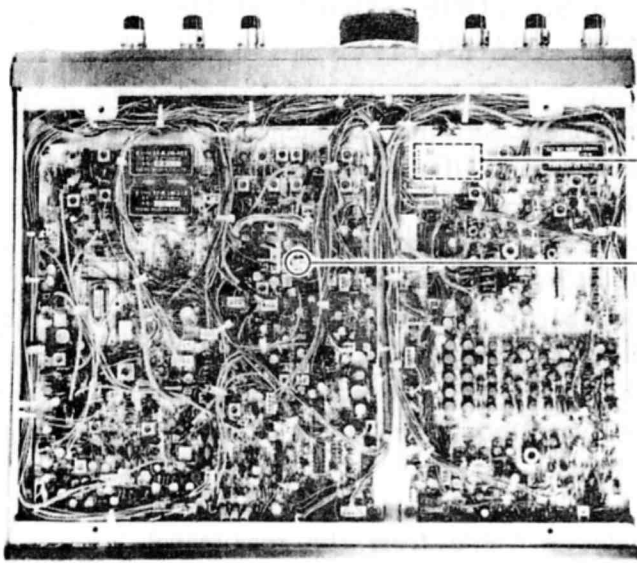


Figure 1.

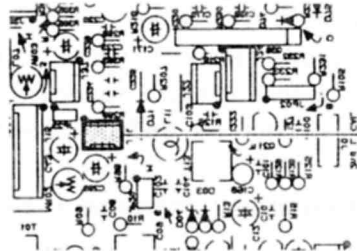
YAESU MUSEN CO., LTD.
C.P.O. BOX 1500
TOKYO, JAPAN



FTS-8 Location

J1014

IF Unit



Remove Jumper Plug

Figure 2.

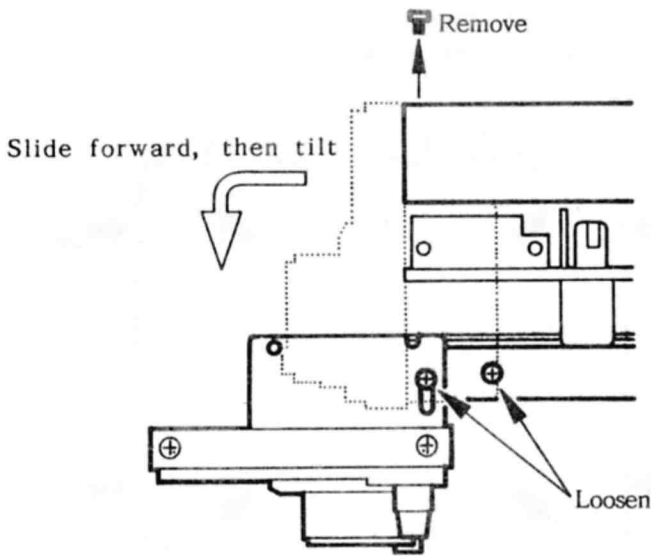
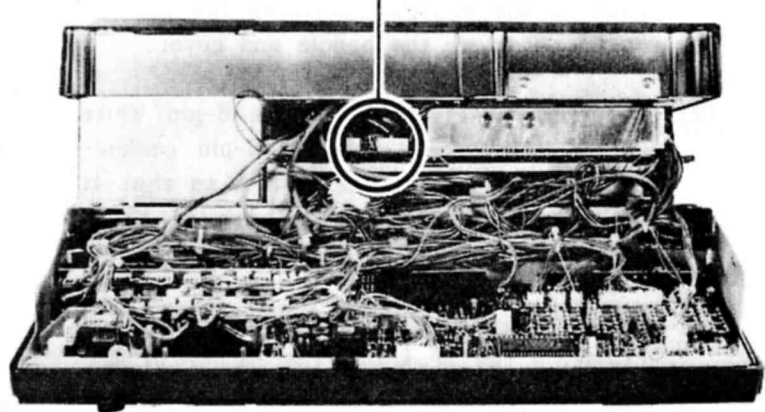


Figure 3.

Tone Burst Unit Location



Remove Plugs, Tape out of the way

Figure 4.

