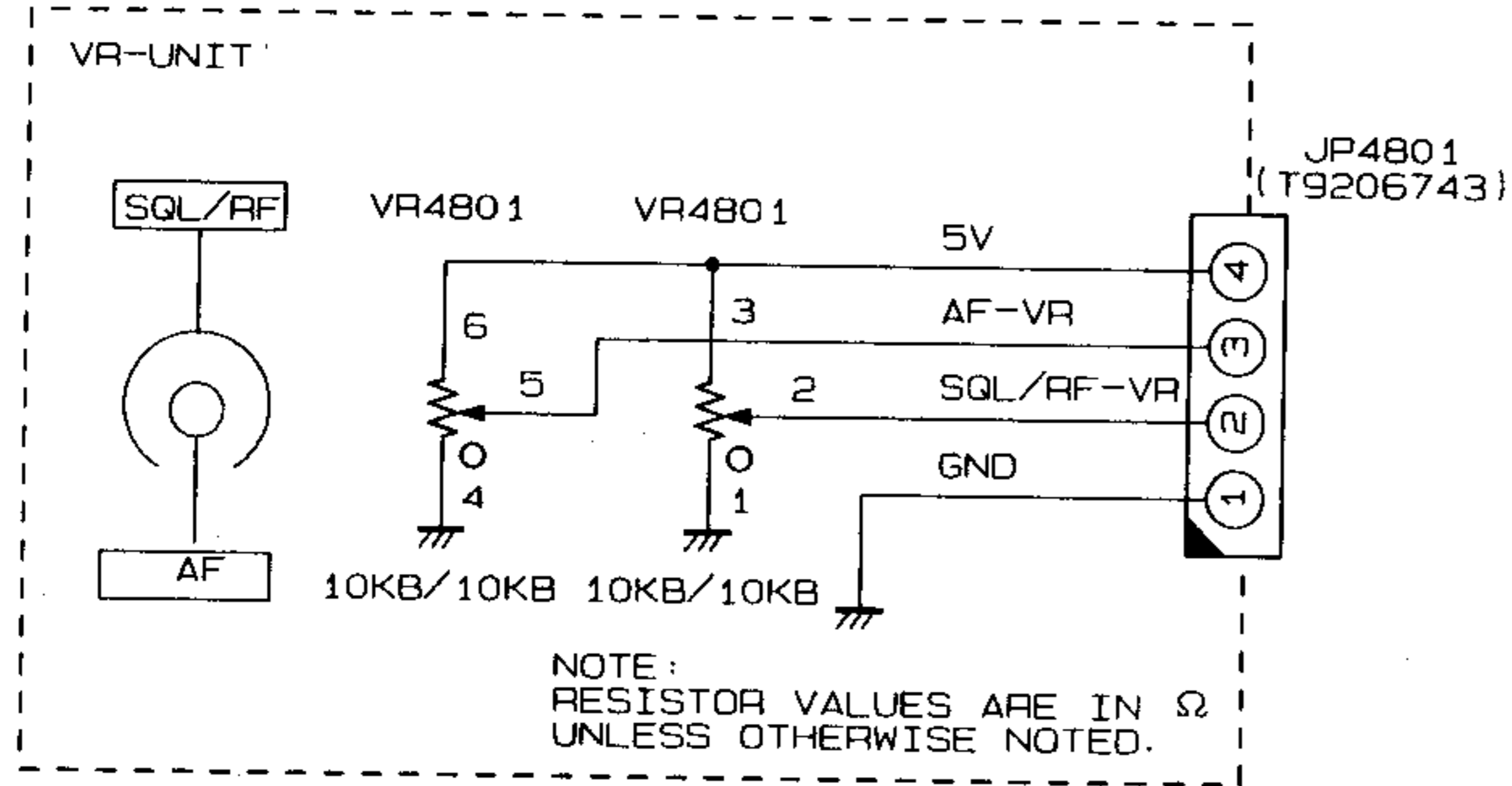
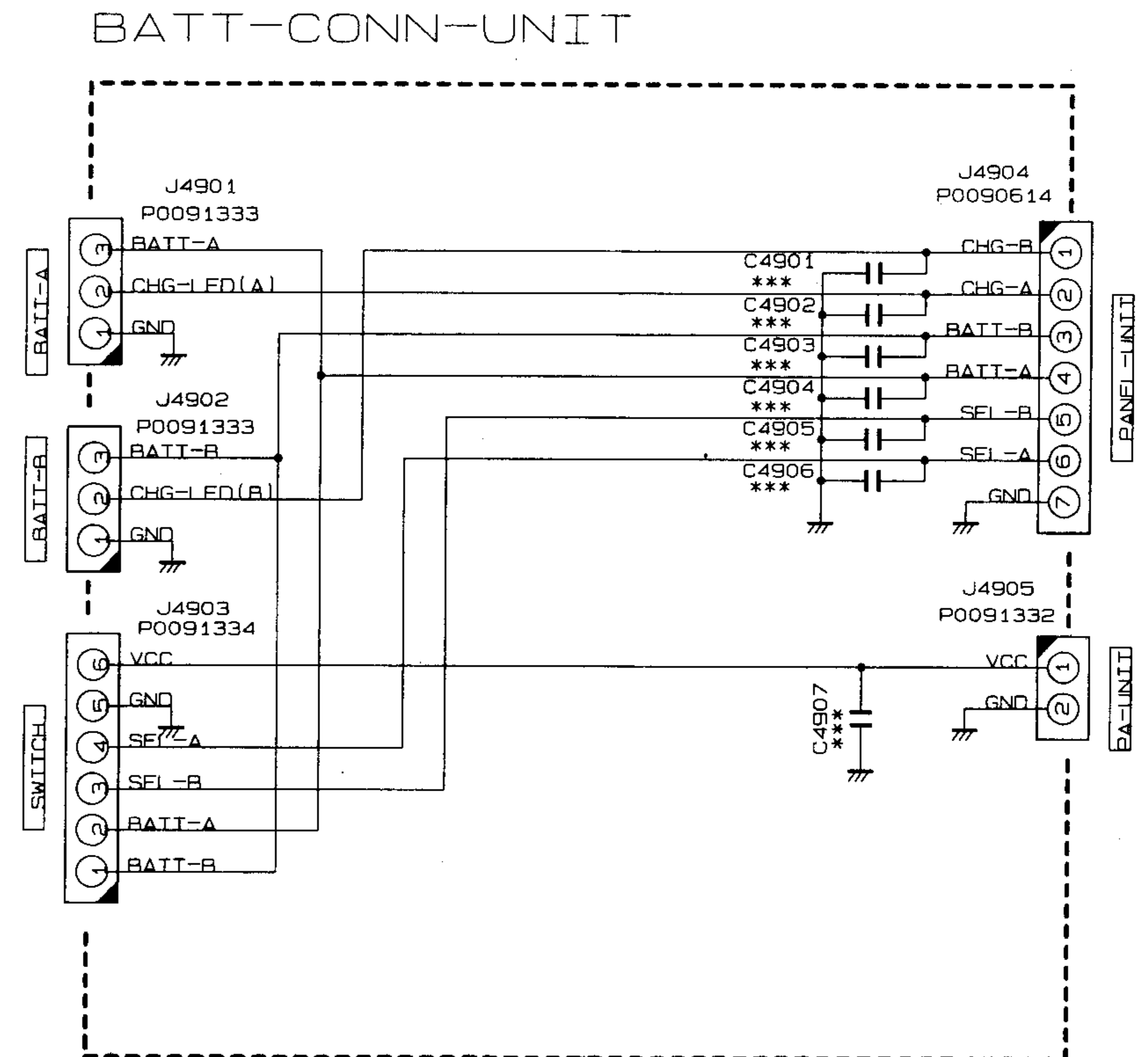
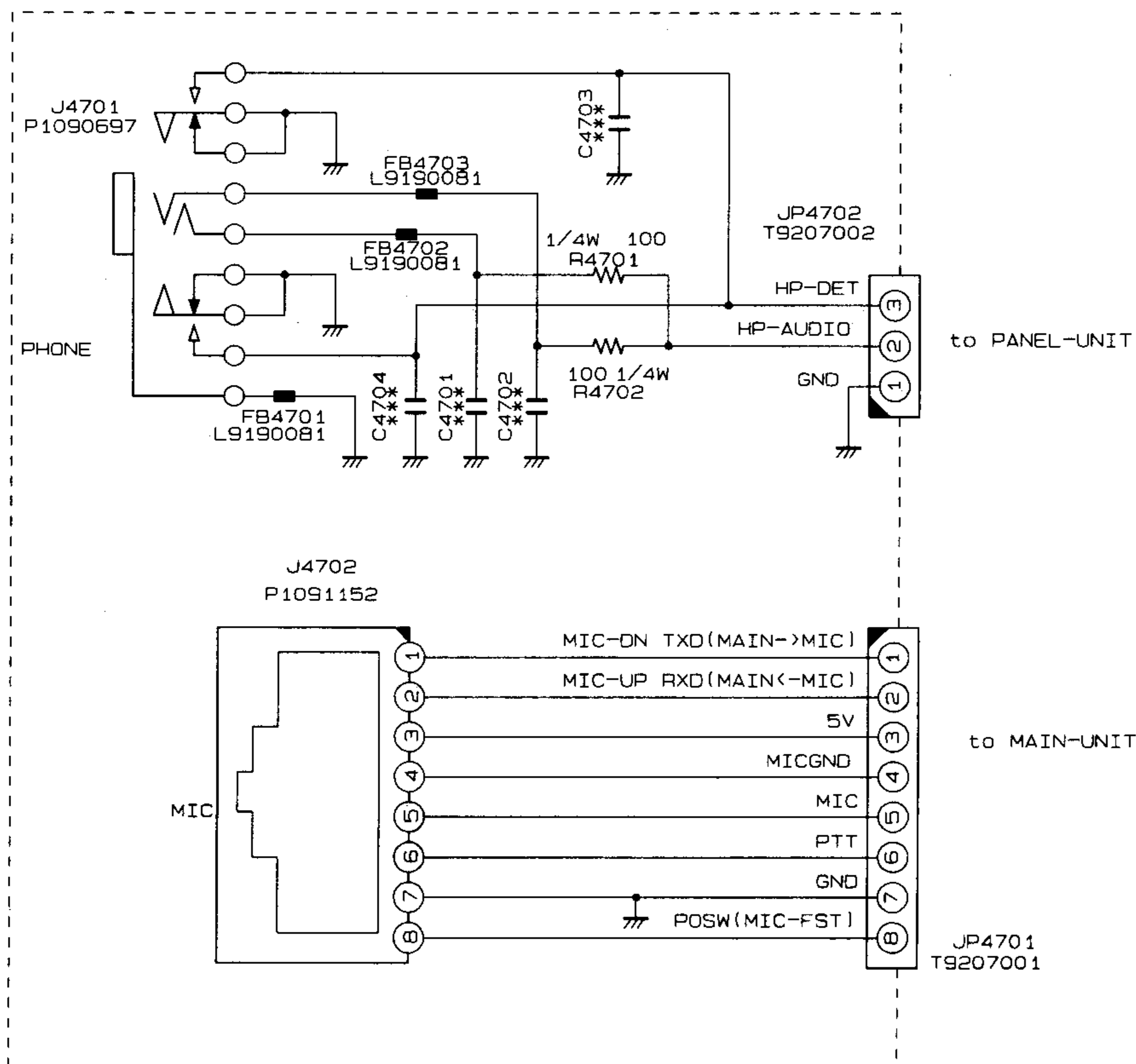
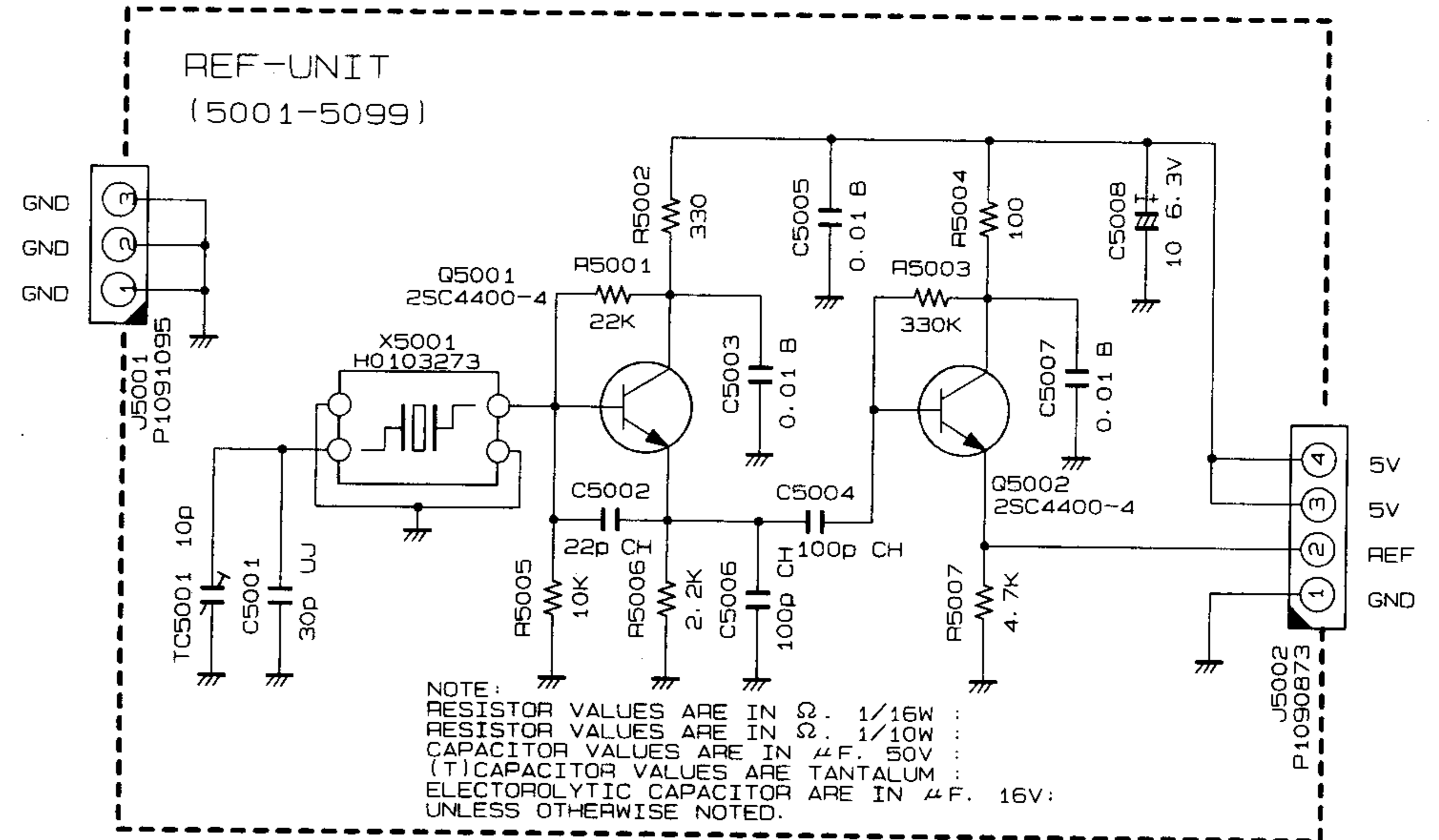
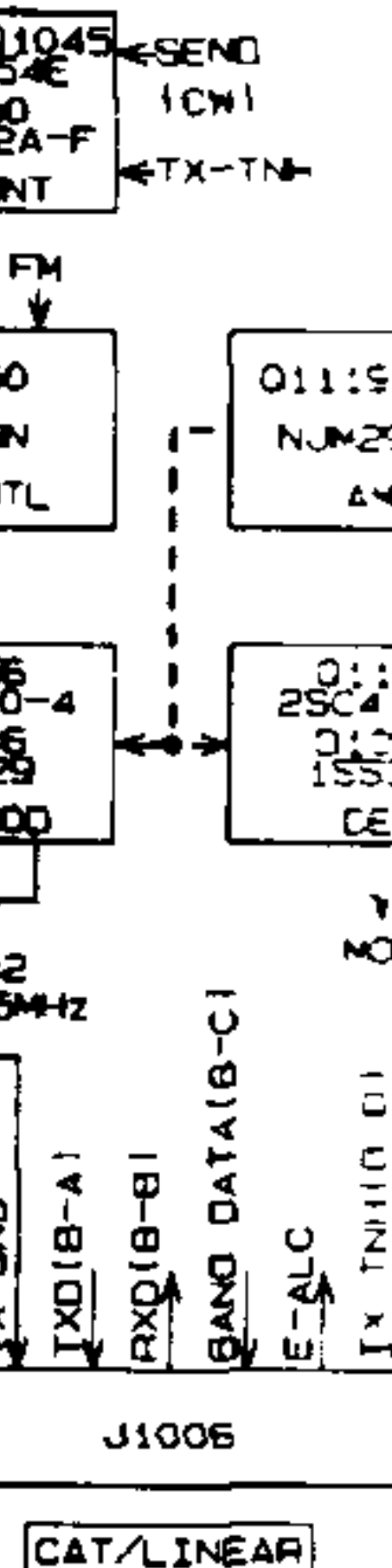
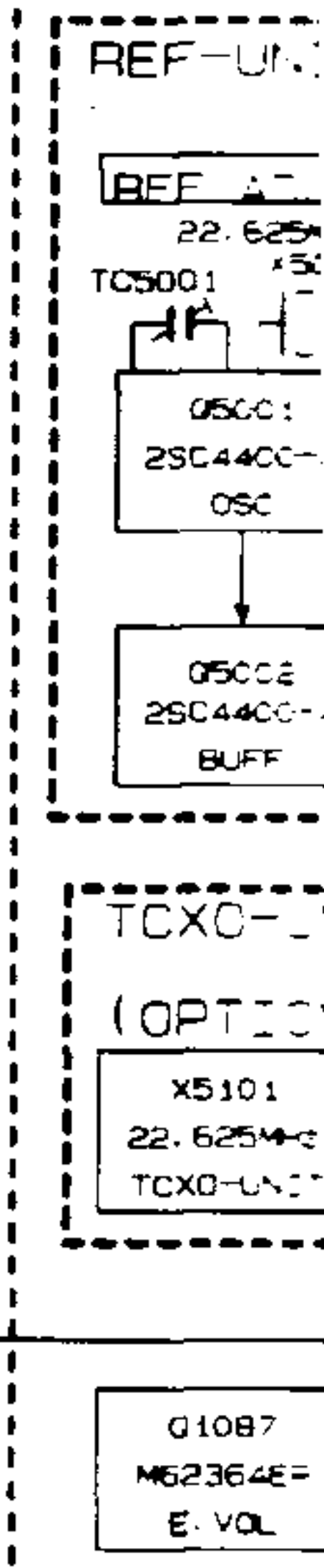
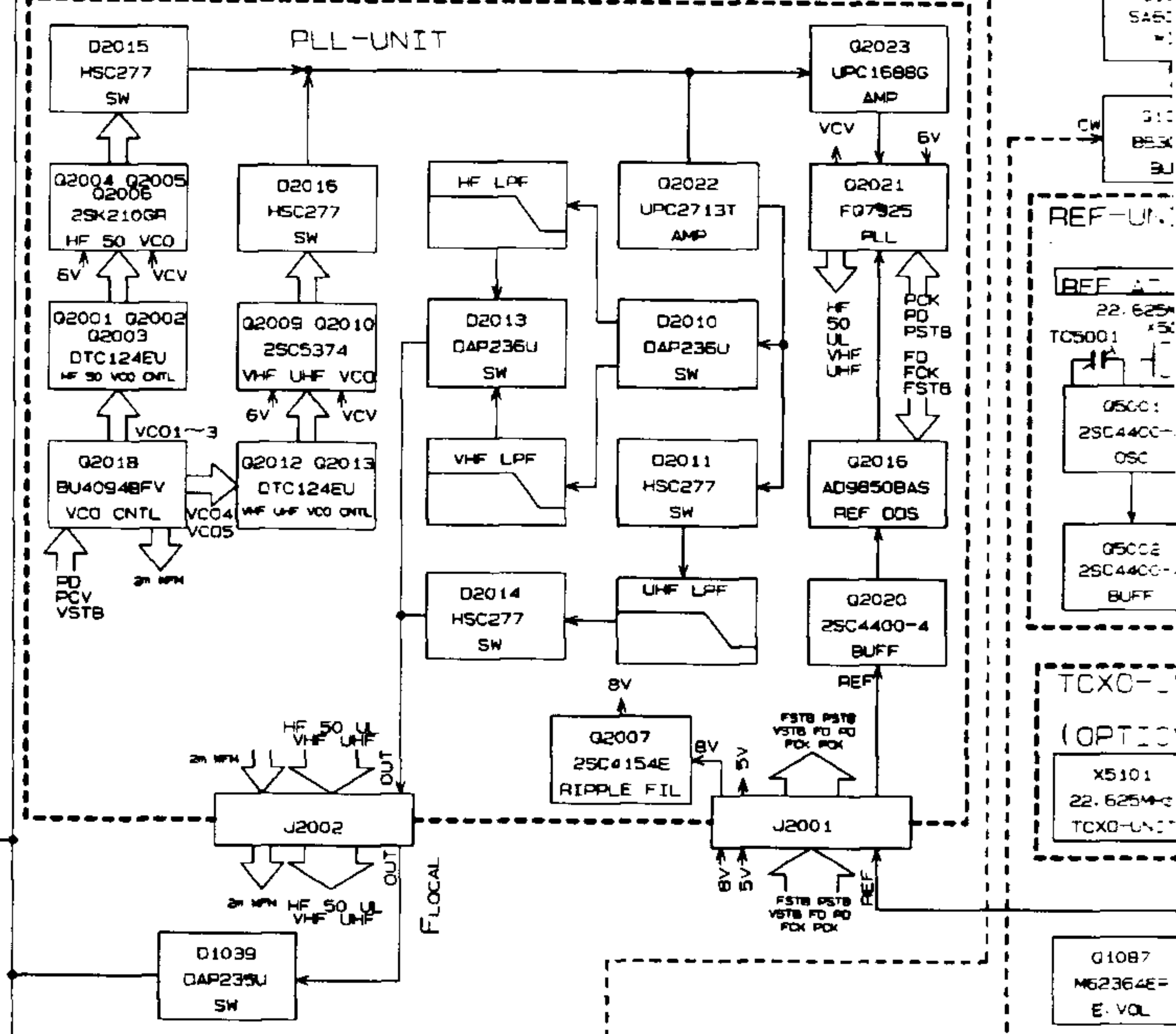
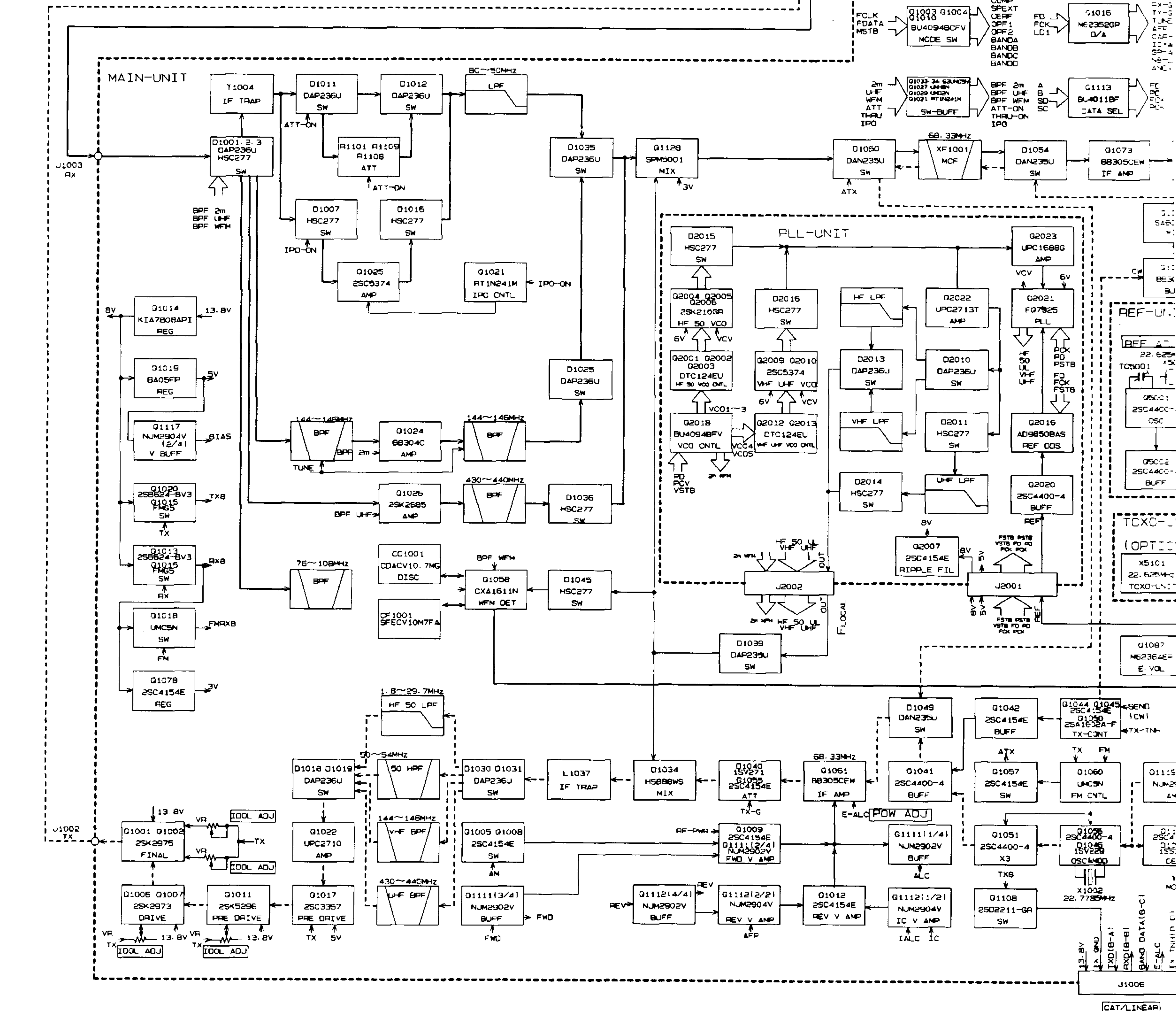
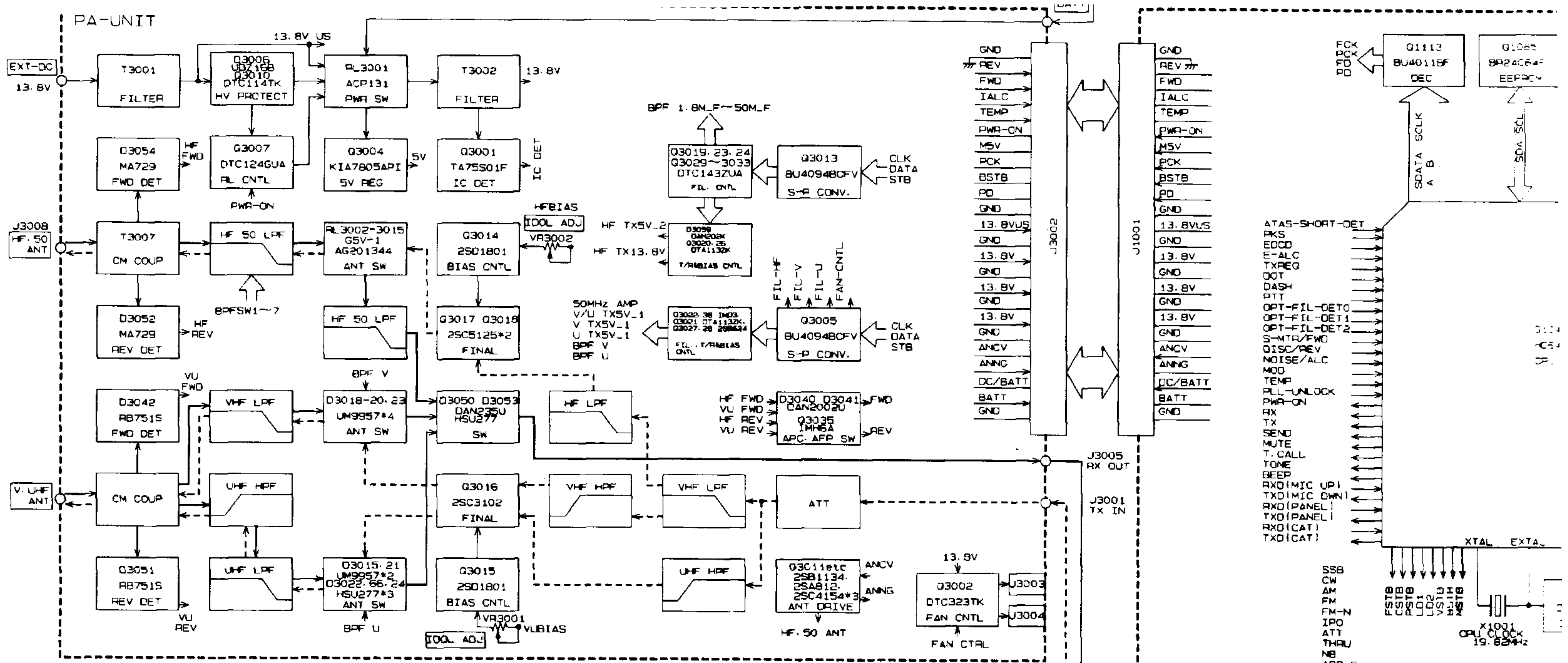


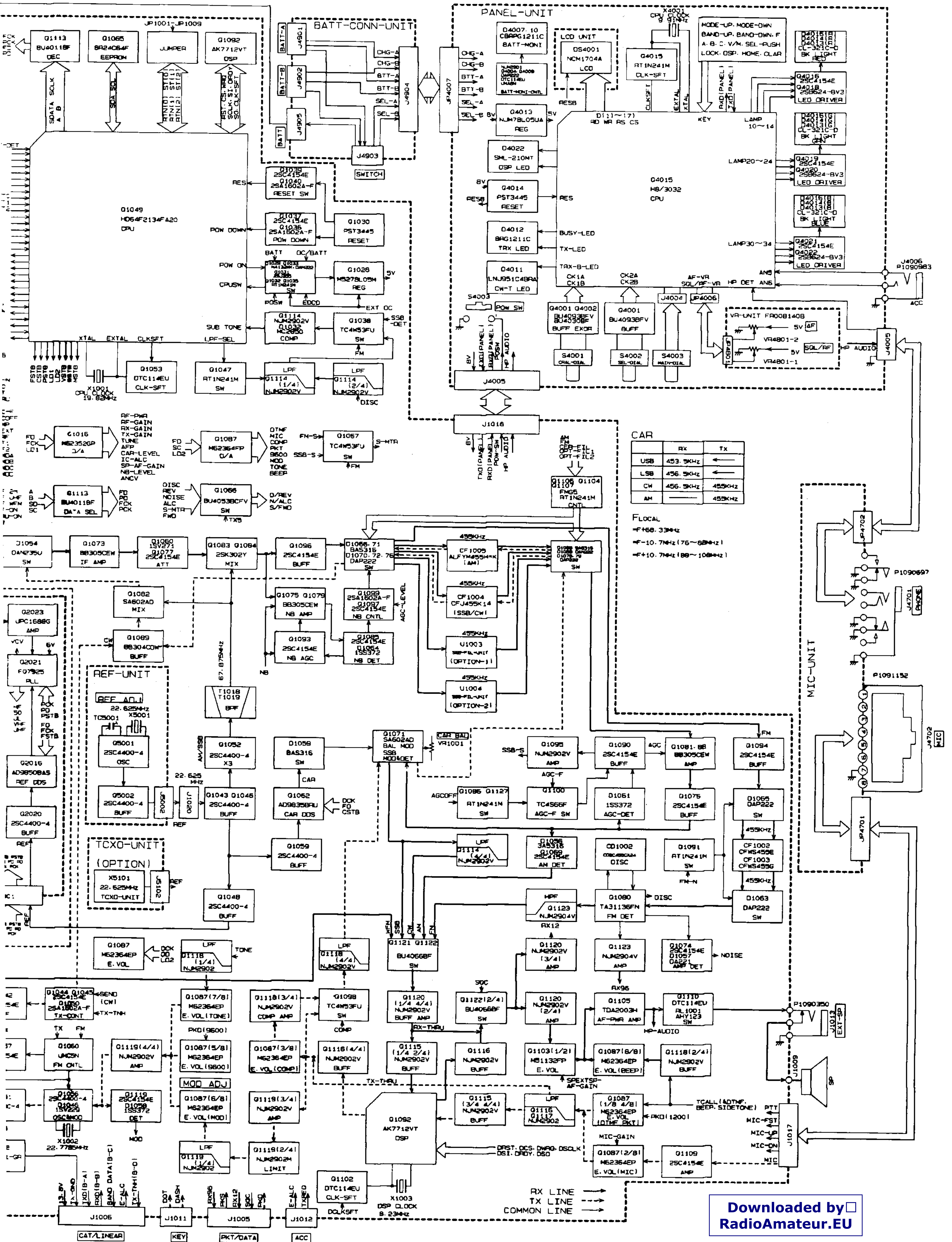
# FT-897 CIRCUIT DIAGRAM



Downloaded by RadioAmateur.EU



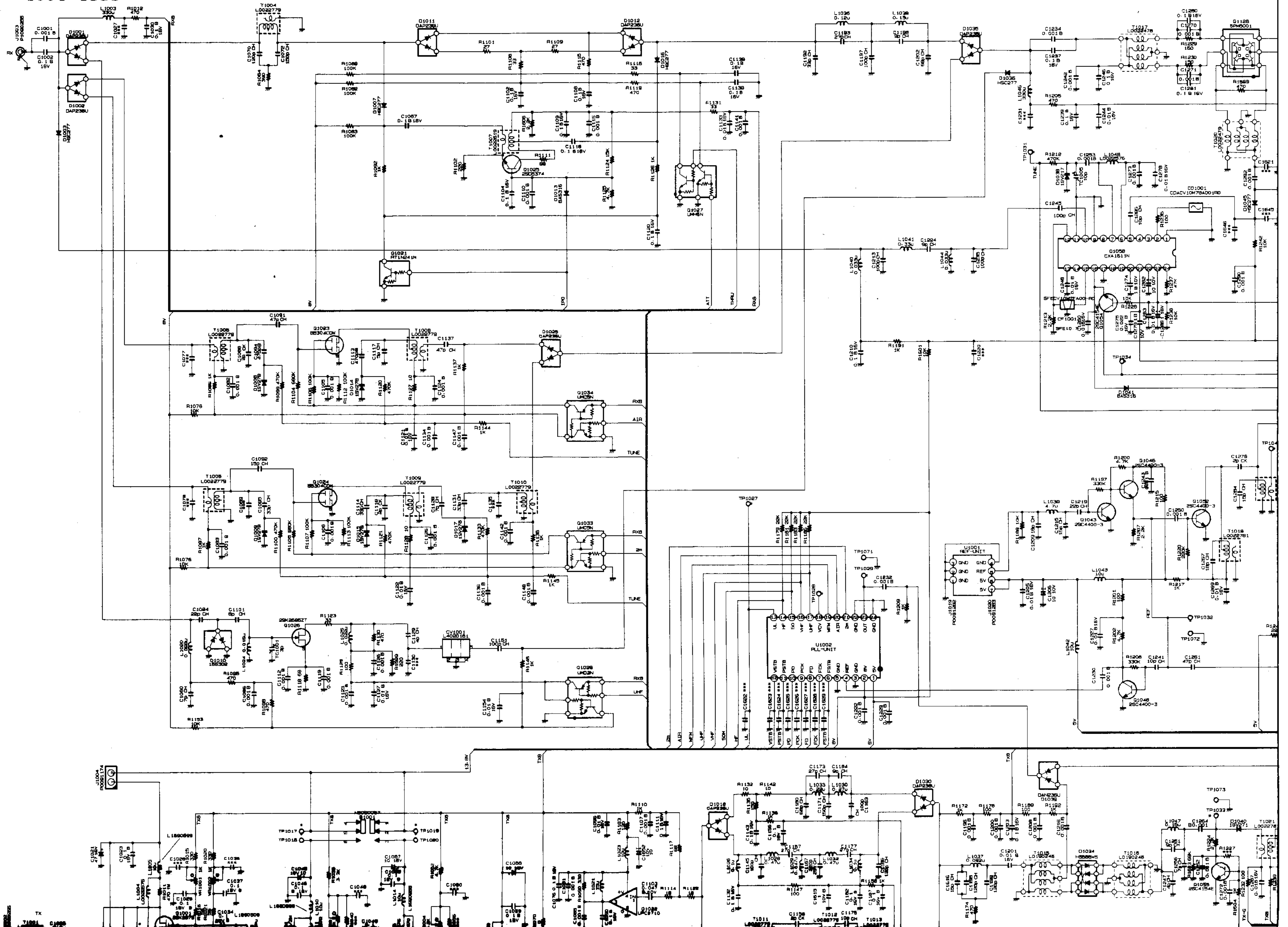




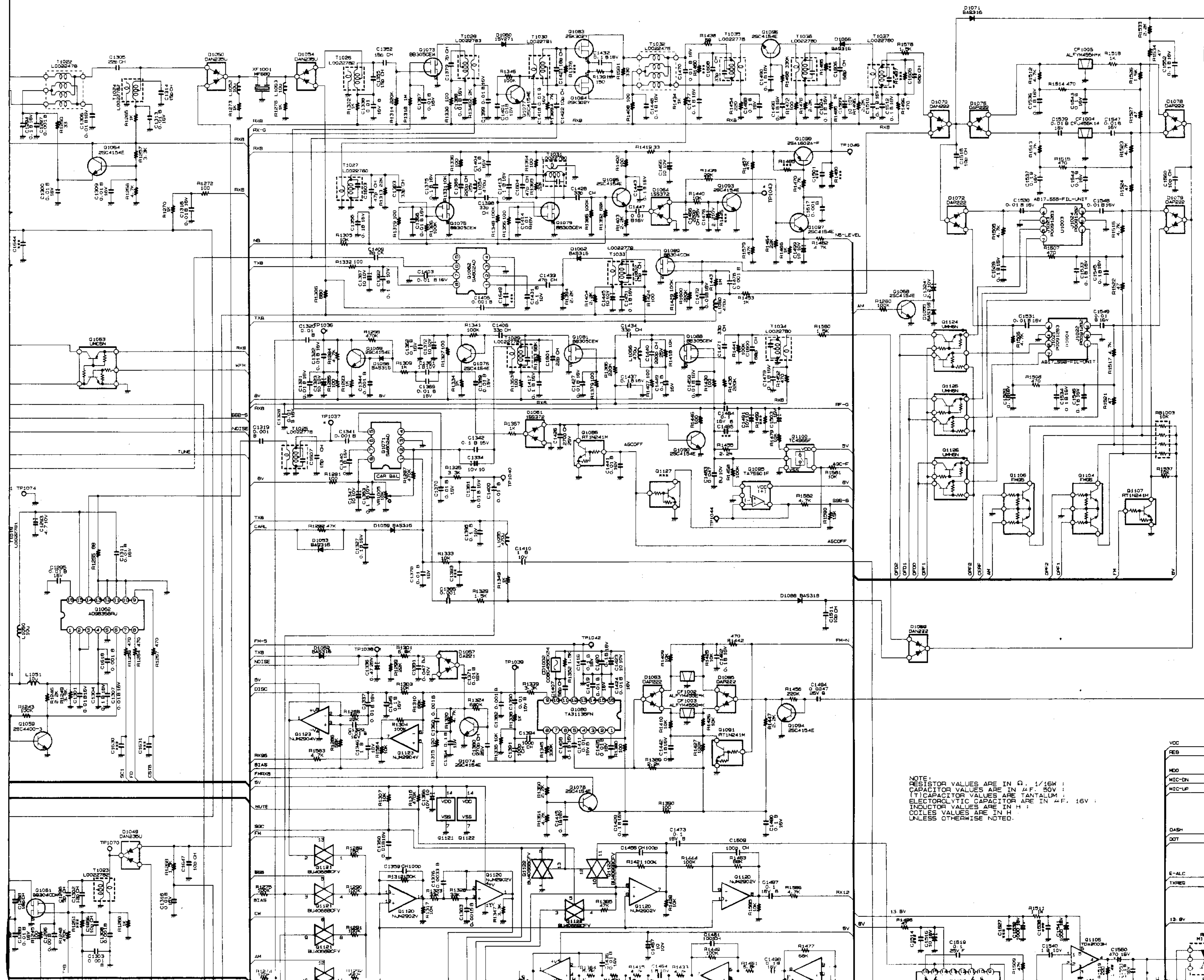
	RX	TX
USB	453.5kHz	←
LSB	456.5kHz	←
CW	456.5kHz	455kHz
AM		455kHz

FLOCAL  
 =+58.33kHz  
 =-10.7MHz (75~88MHz)  
 =+10.7MHz (180~108MHz)

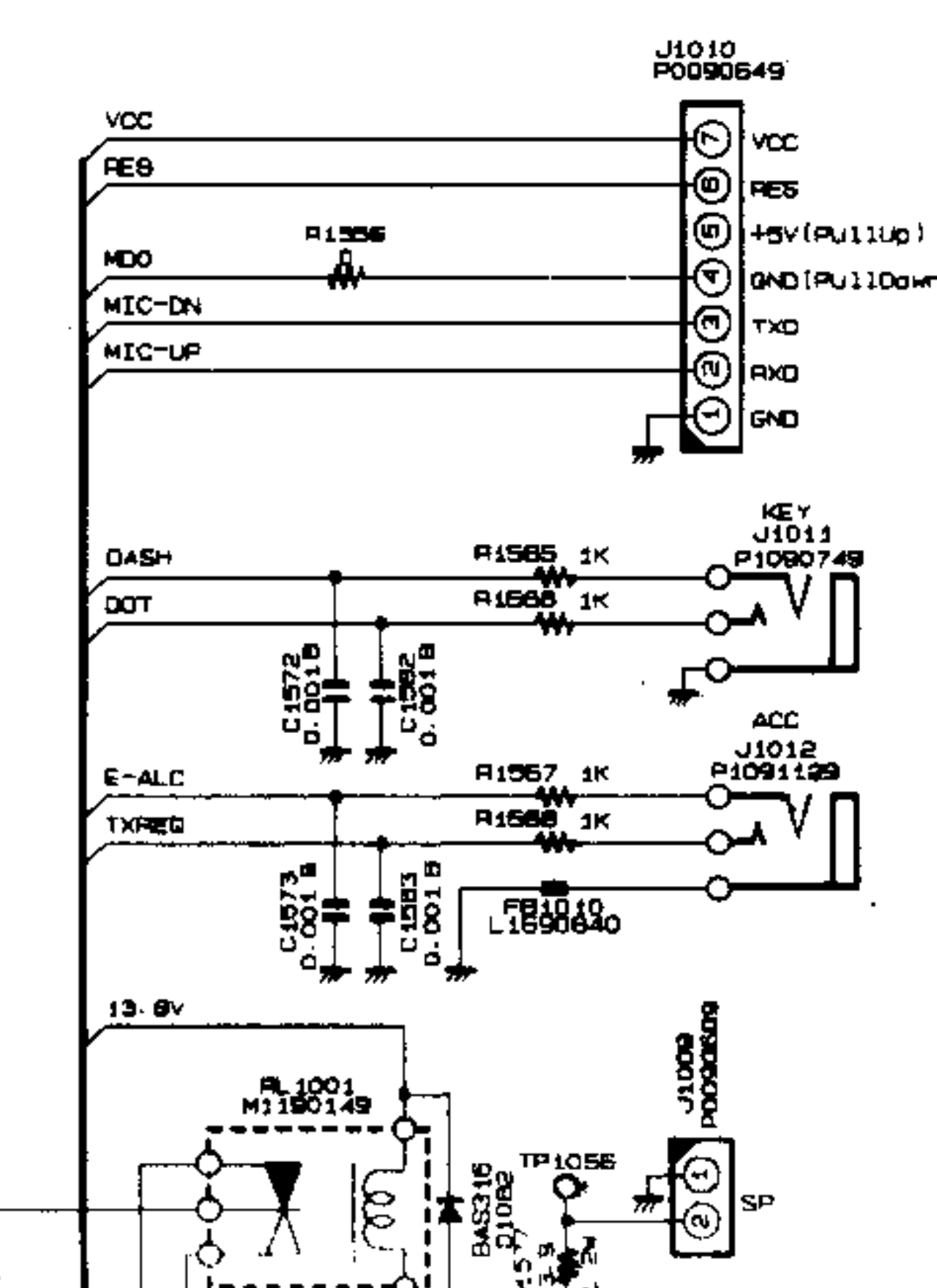
MAIN-UNIT  
1001-1999





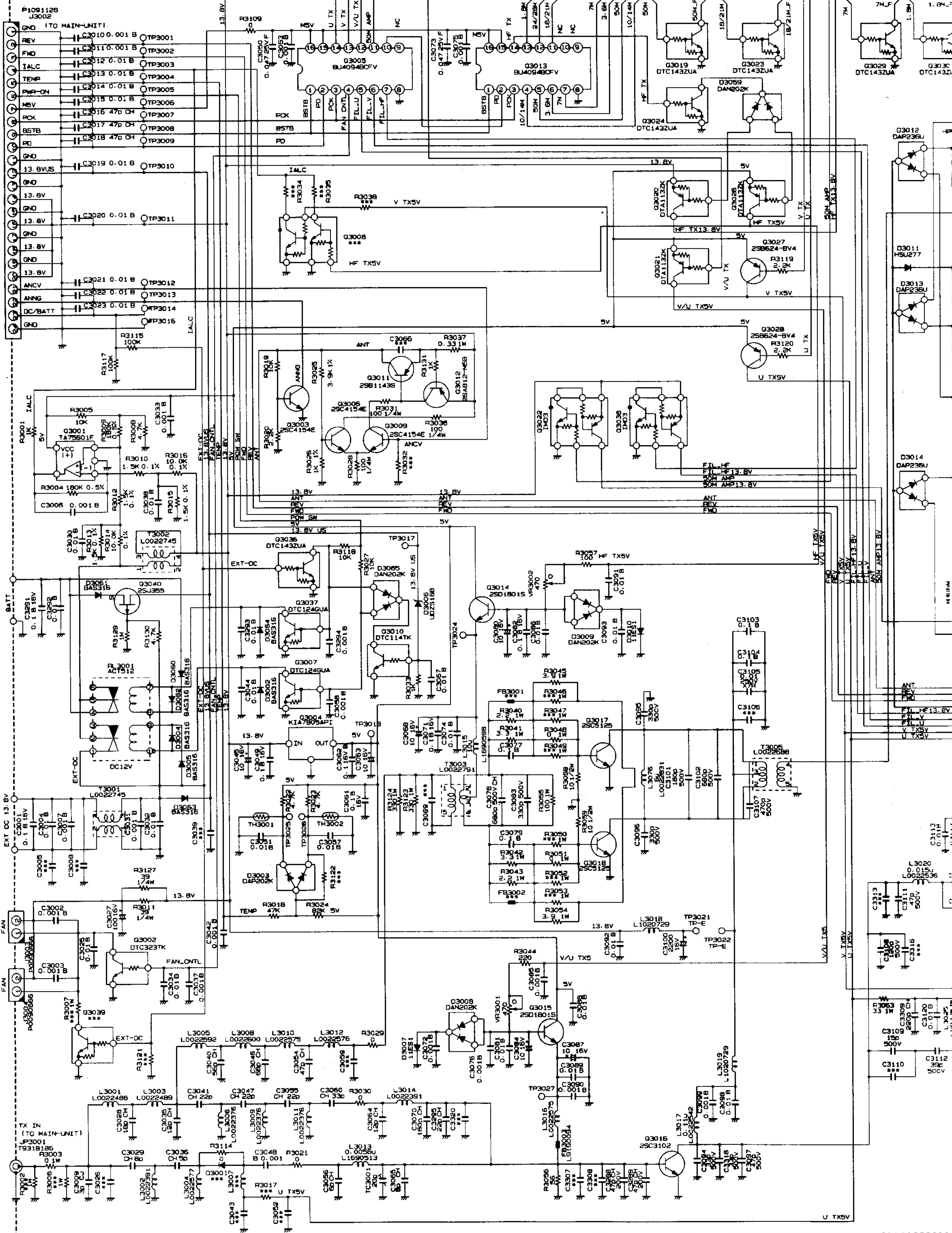


NOTE:  
 CAPACITOR VALUES ARE IN P.F. 1/16V;  
 CAPACITOR VALUES ARE IN P.F. 50V;  
 (T) CAPACITOR VALUES ARE TANTALUM;  
 ELECTROLYTIC CAPACITORS ARE IN P.F. 16V;  
 INDUCTOR VALUES ARE IN H.;  
 COILS VALUES ARE IN H.;  
 UNLESS OTHERWISE NOTED.





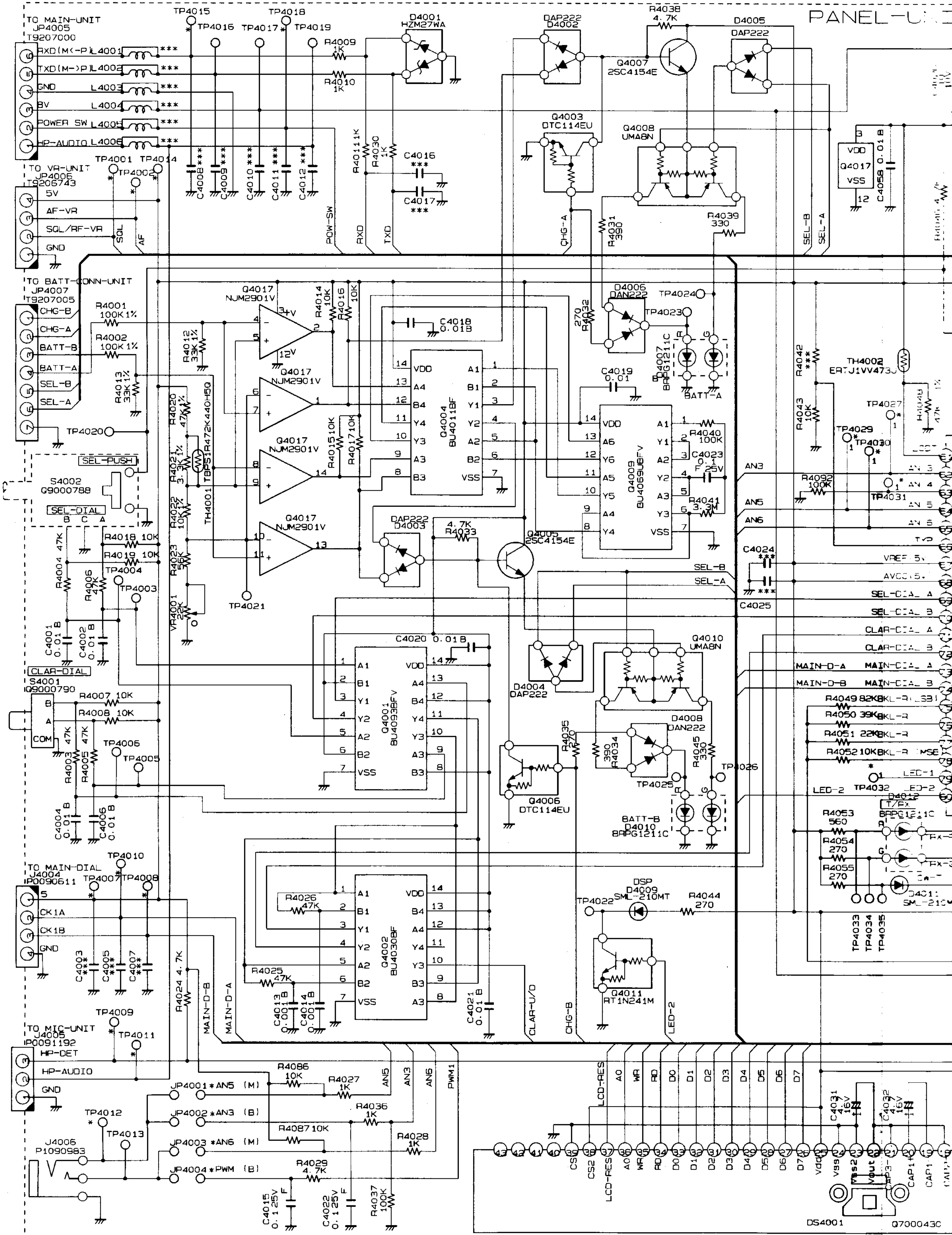
PA-UNIT



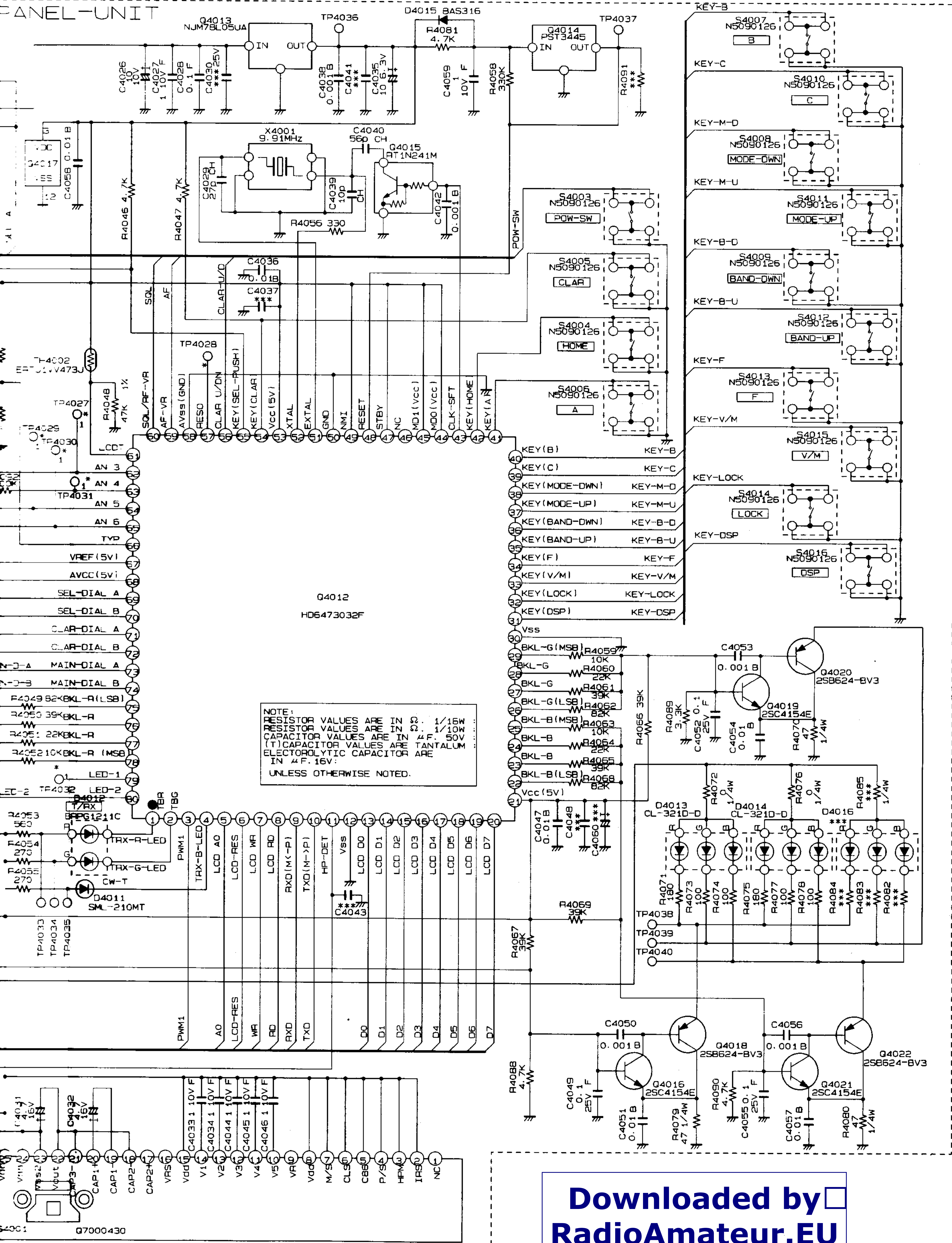


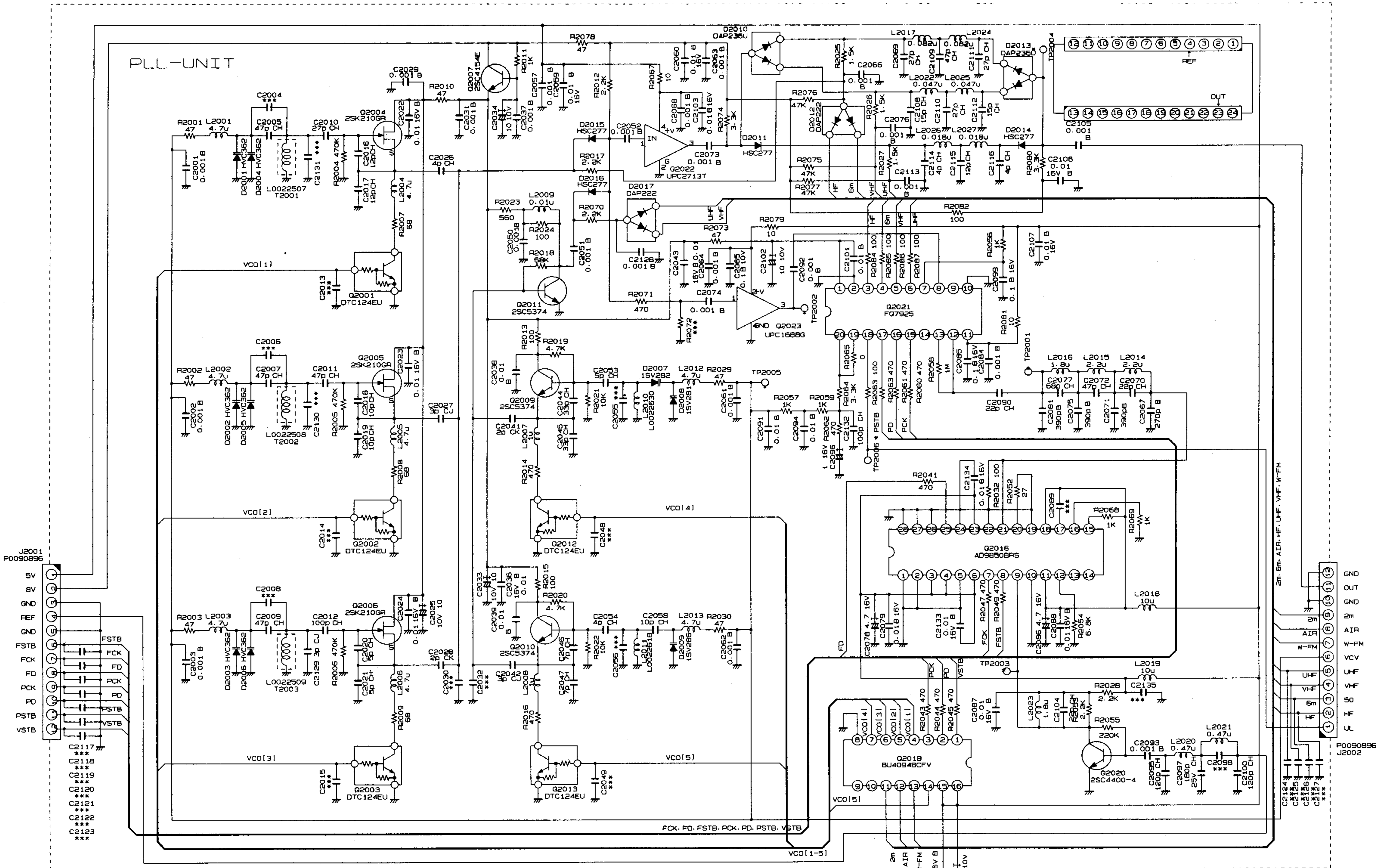


PANEL-UNIT



PANEL-UNIT





NOTE:  
 RESISTOR VALUES ARE IN Ω, 1/16W;  
 CAPACITOR VALUES ARE IN nF, 50V;  
 ELECTROLYTIC CAPACITORS ARE IN μF, 16V;  
 INDUCTOR VALUES ARE IN H;  
 COILS VALUES ARE IN H;  
 UNLESS OTHERWISE NOTED.