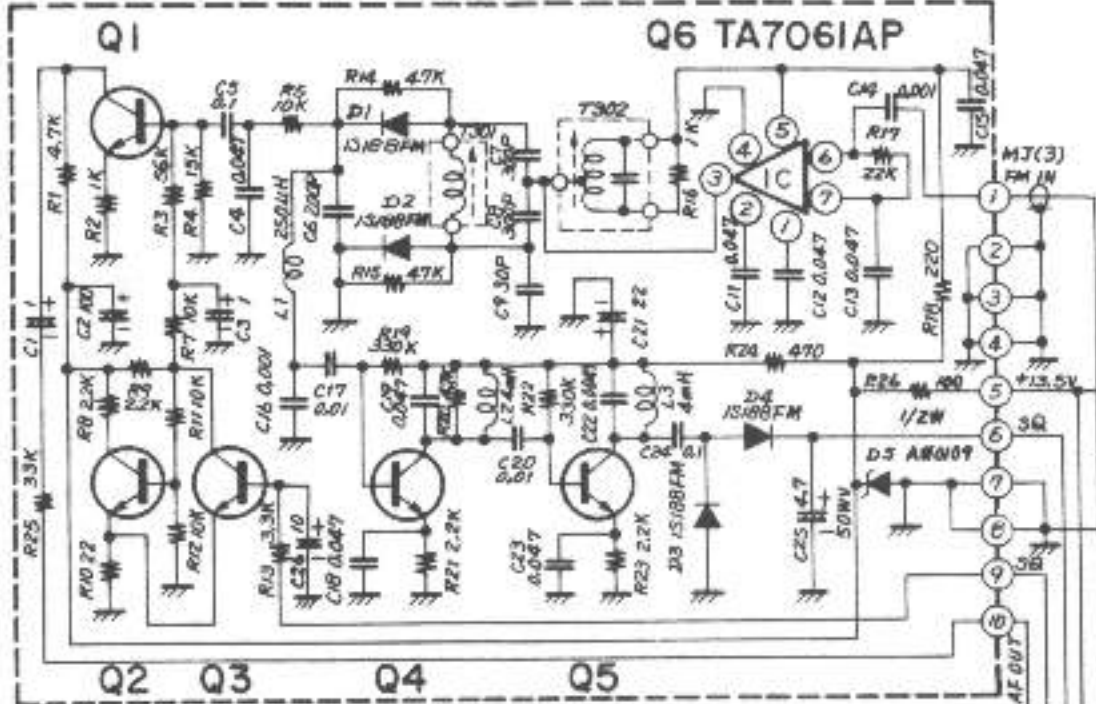
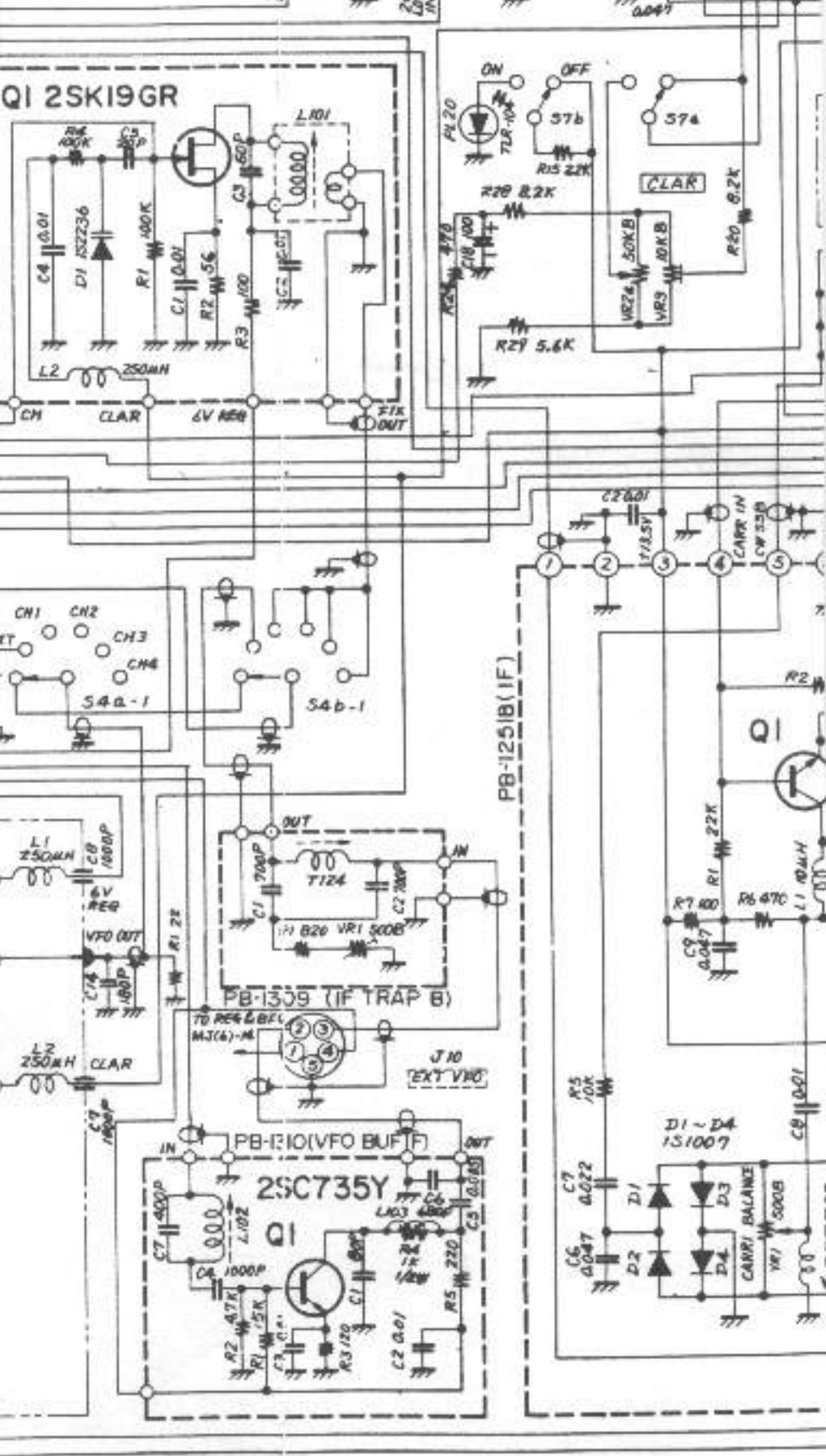
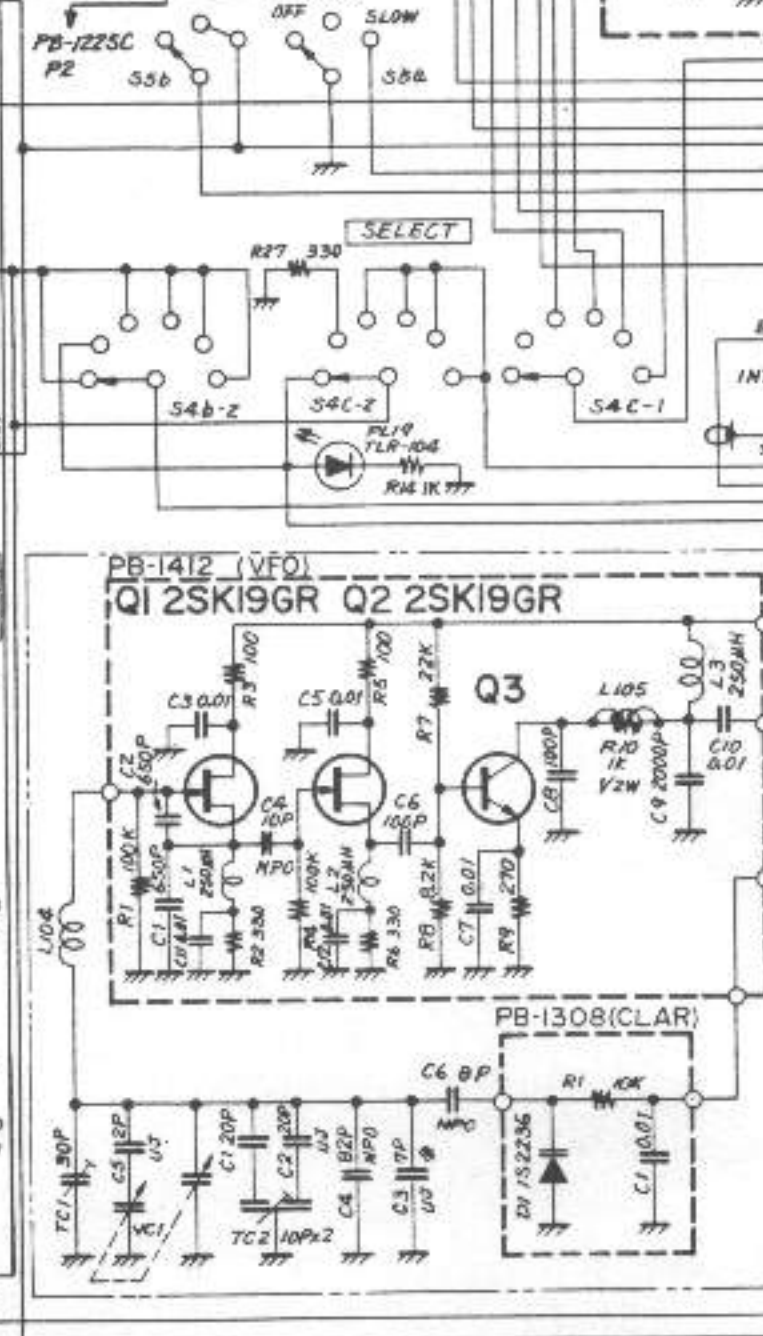
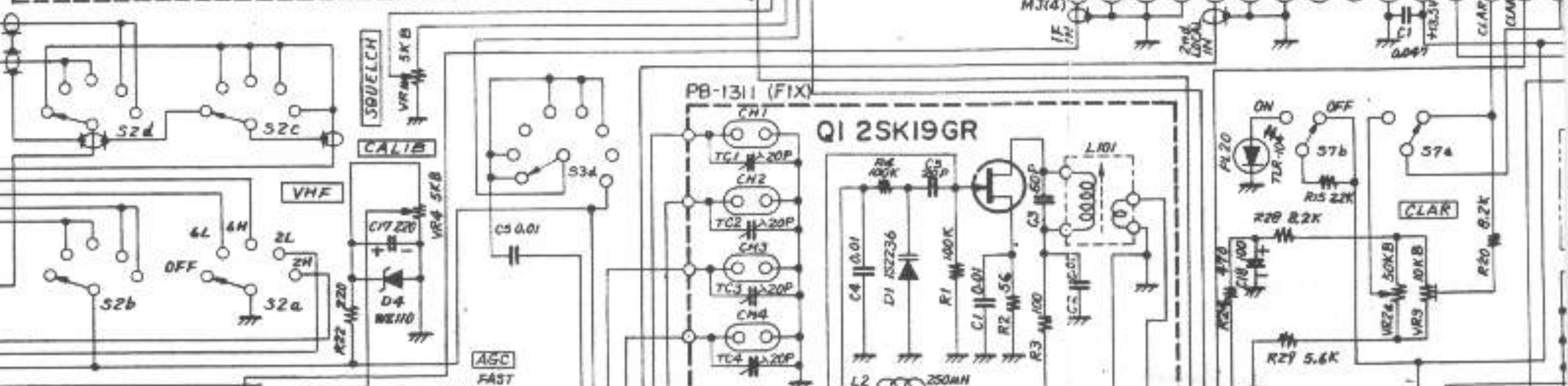
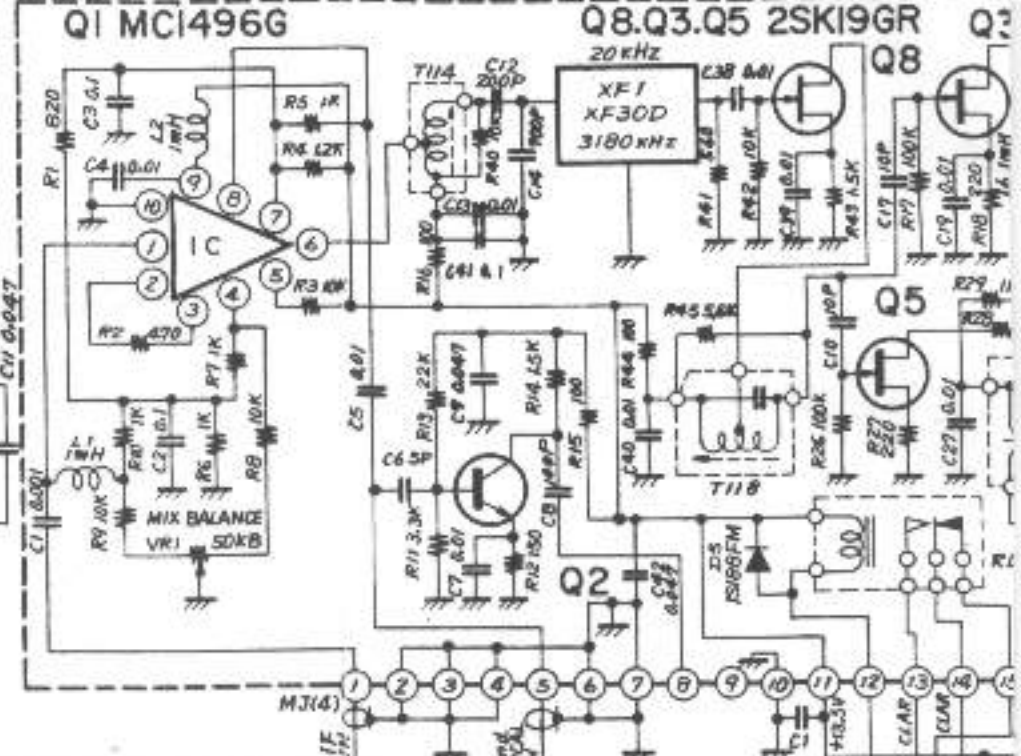




PB-1269C(FM DET)

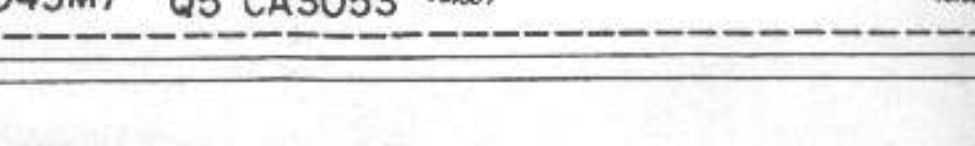
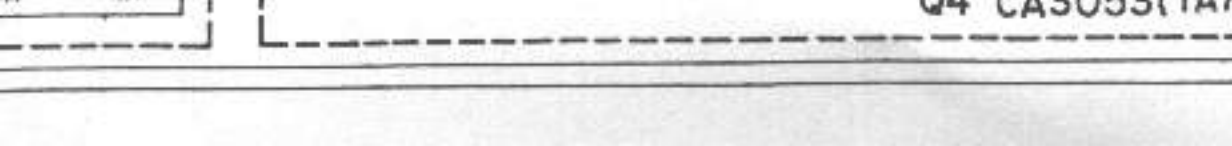
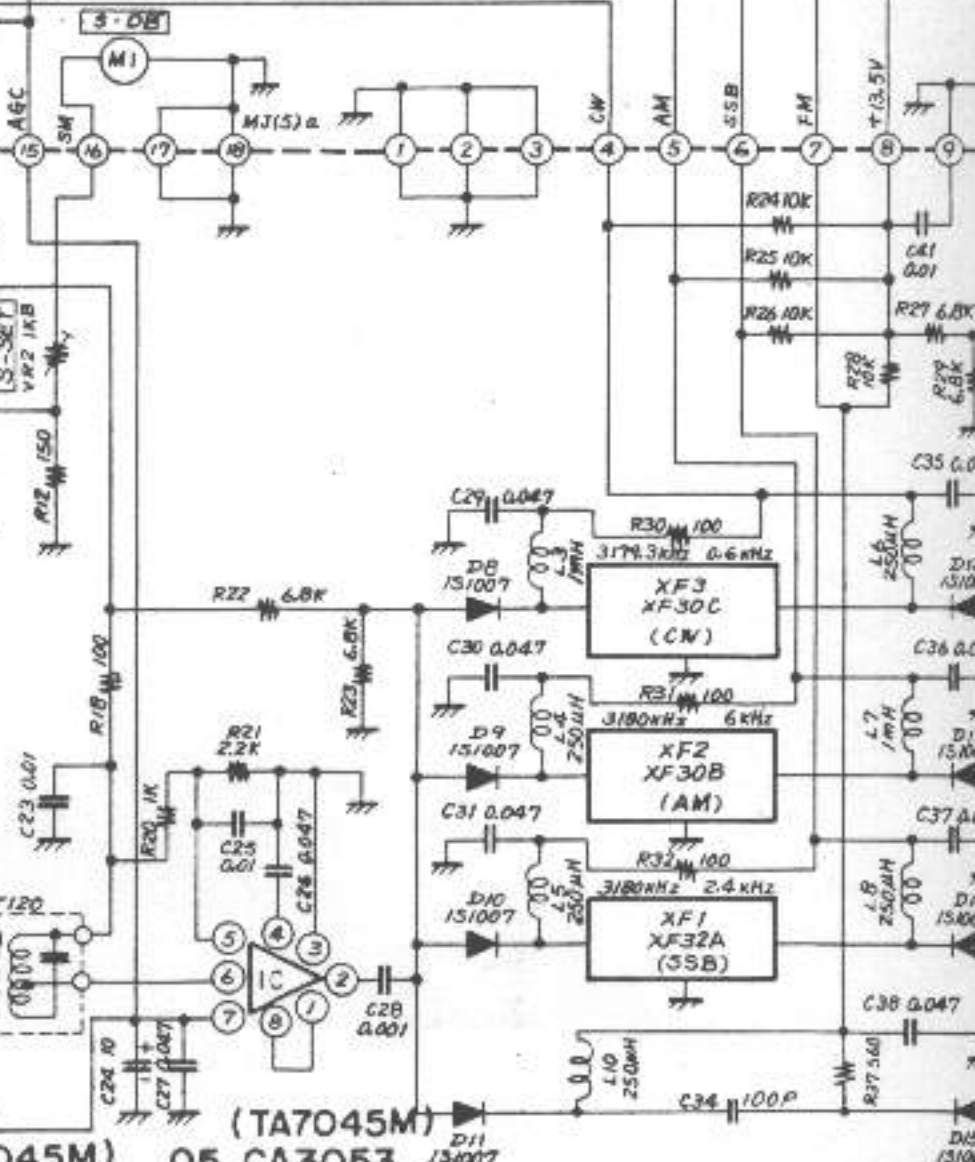
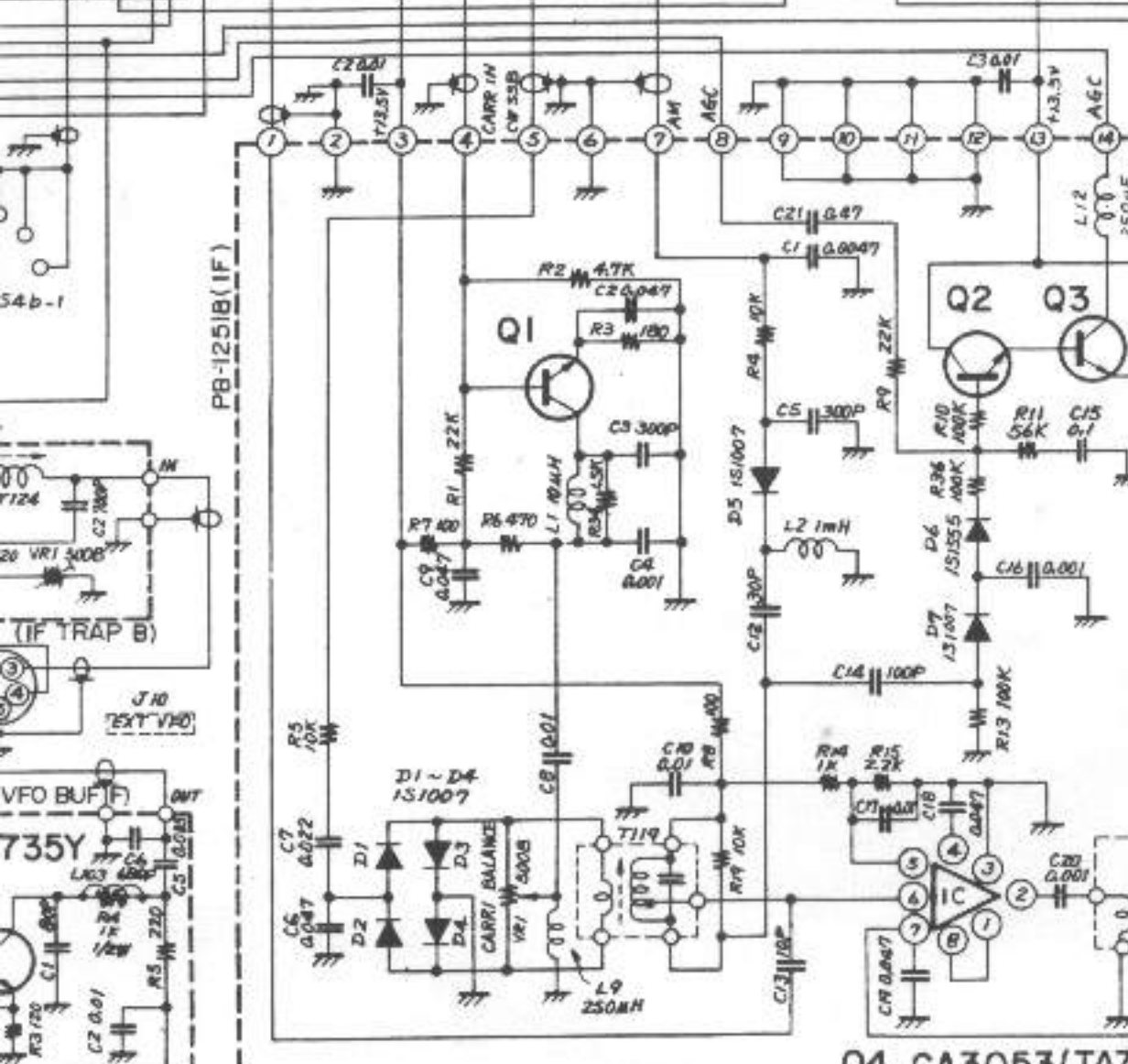
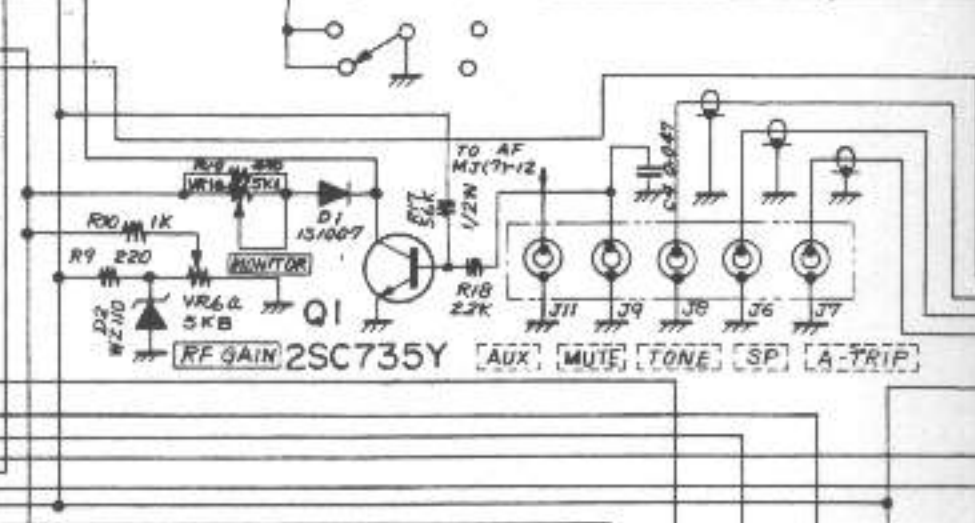
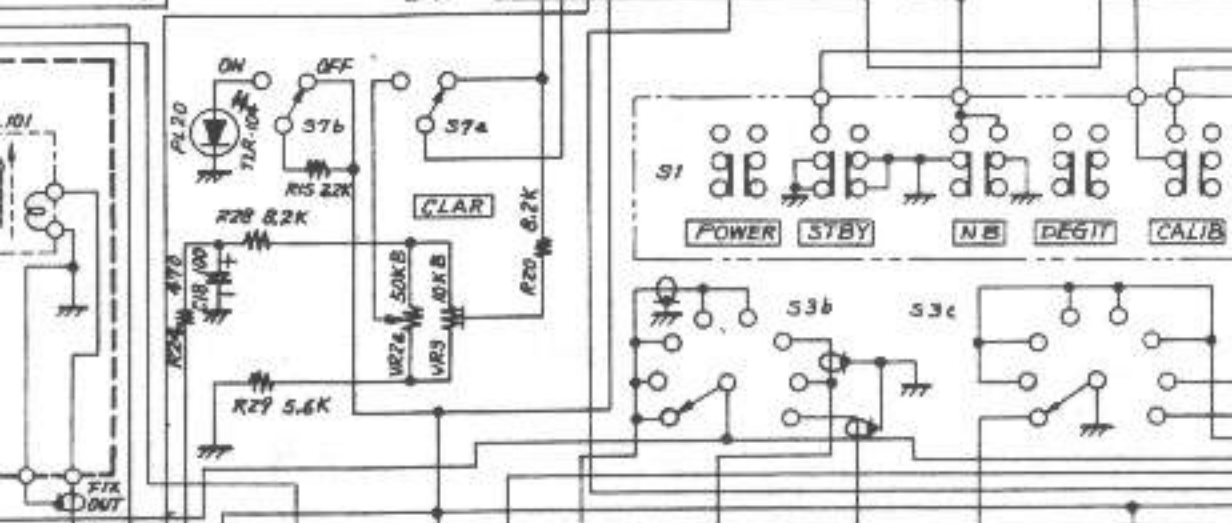
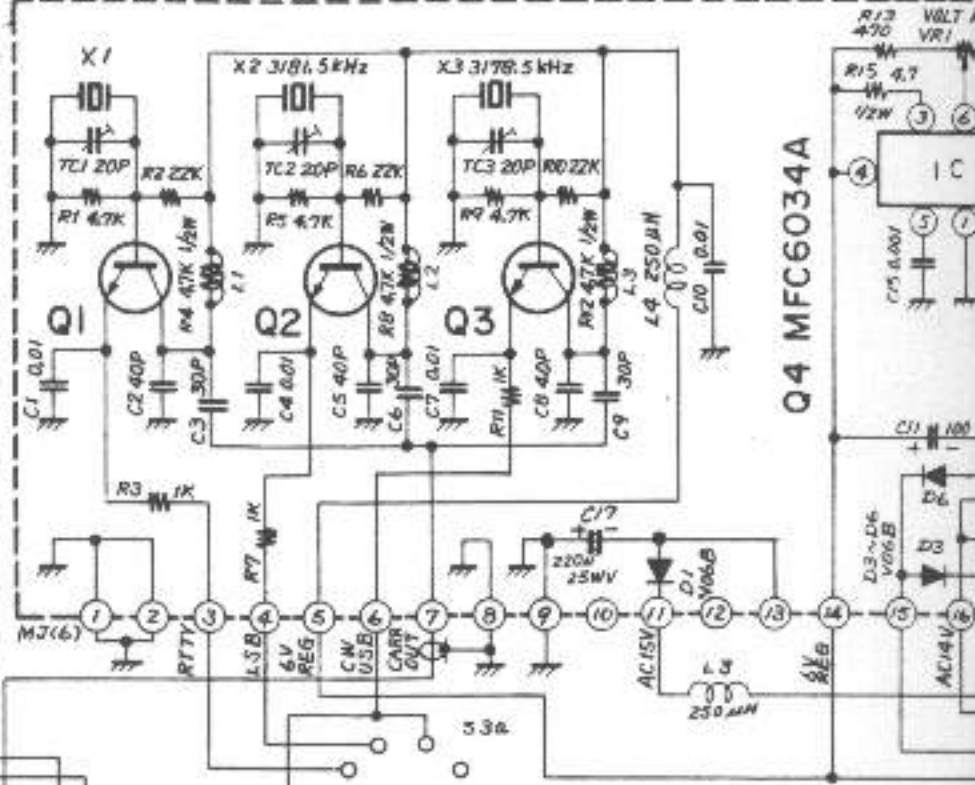
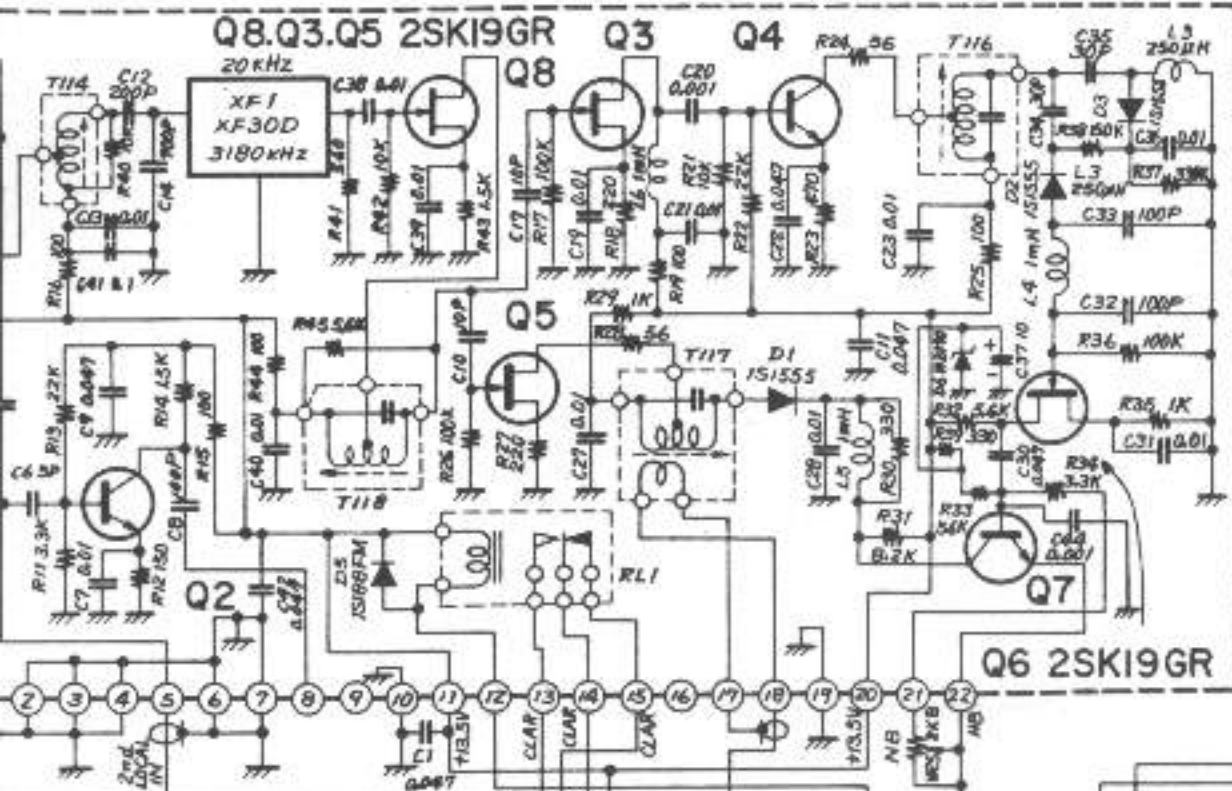


PB-1252B(MIX & NB)

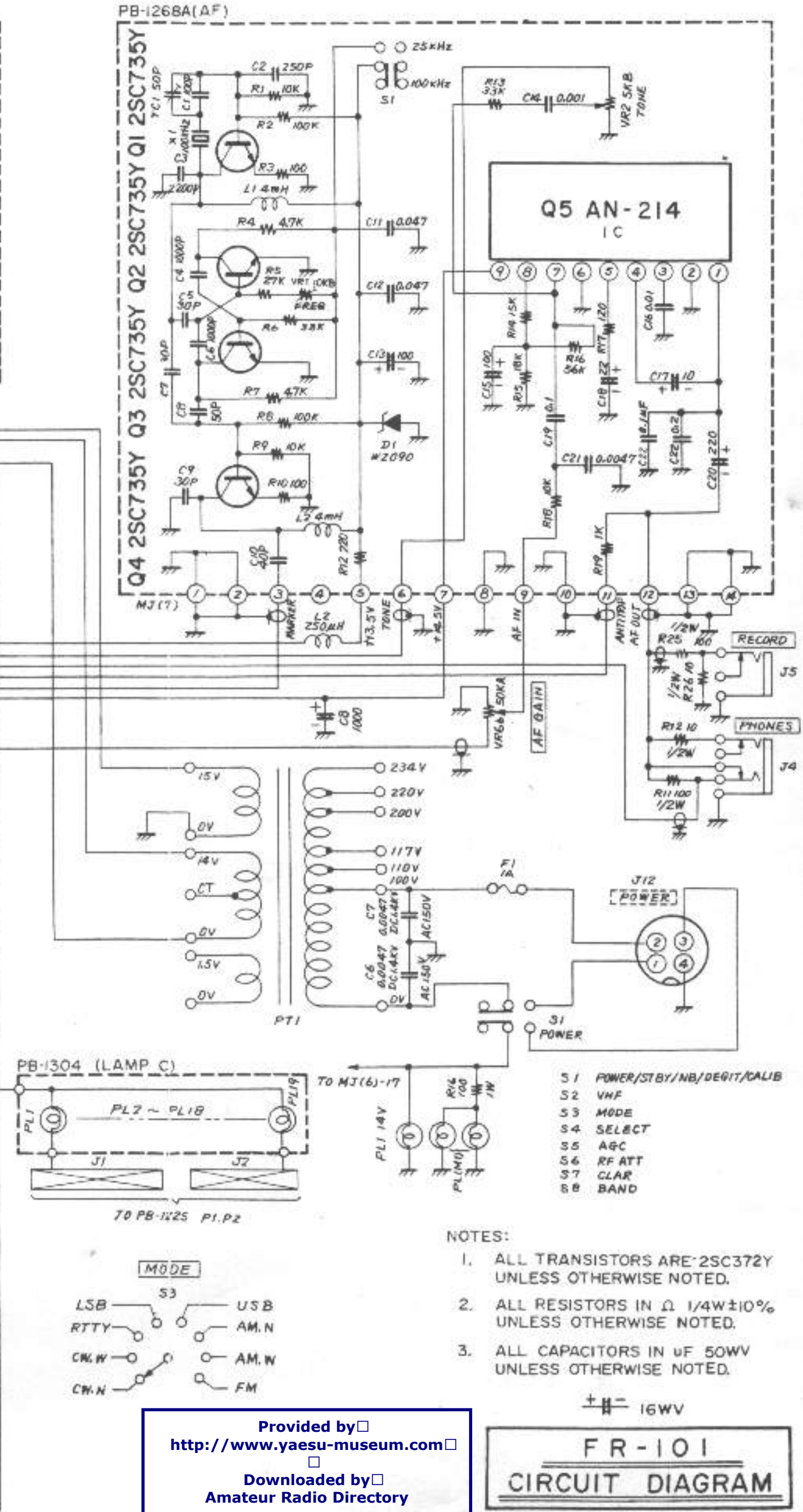
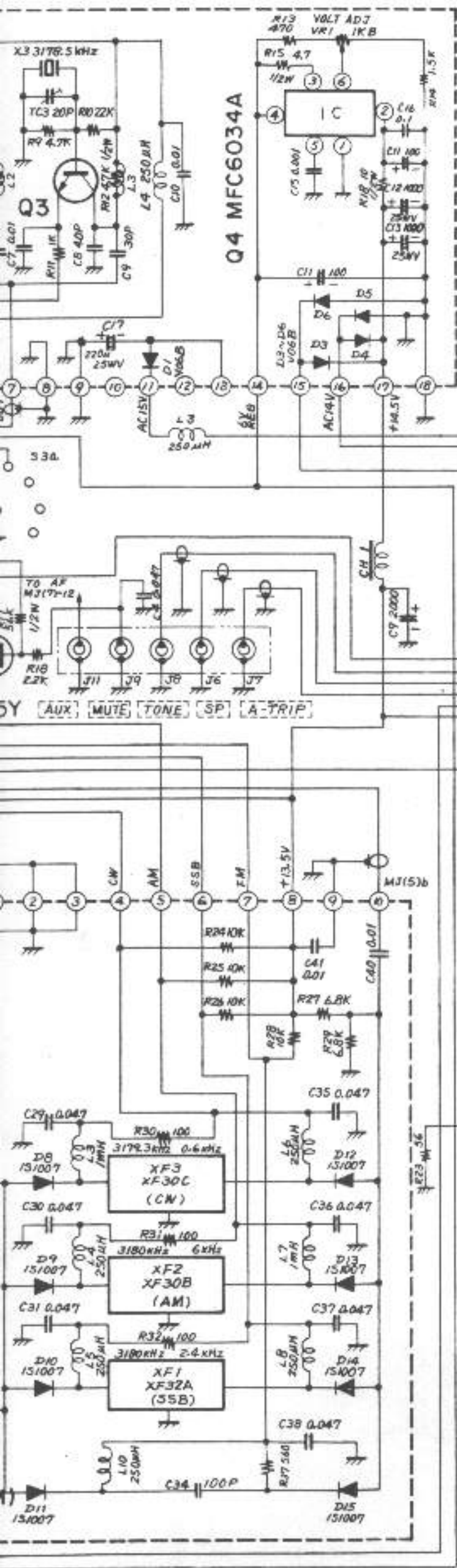




PB-1312B (REG & BFO)







- S1 POWER/STBY/NB/DEGIT/CALIB
- S2 VHF
- S3 MODE
- S4 SELECT
- S5 AGC
- S6 RF ATT
- S7 CLAR
- S8 BAND

- NOTES:
1. ALL TRANSISTORS ARE 2SC372Y UNLESS OTHERWISE NOTED.
  2. ALL RESISTORS IN  $\Omega$  1/4W $\pm$ 10% UNLESS OTHERWISE NOTED.
  3. ALL CAPACITORS IN  $\mu$ F 50WV UNLESS OTHERWISE NOTED.

$\pm$  16WV

**FR-101**  
**CIRCUIT DIAGRAM**

Provided by <http://www.yaesu-museum.com>  
Downloaded by Amateur Radio Directory