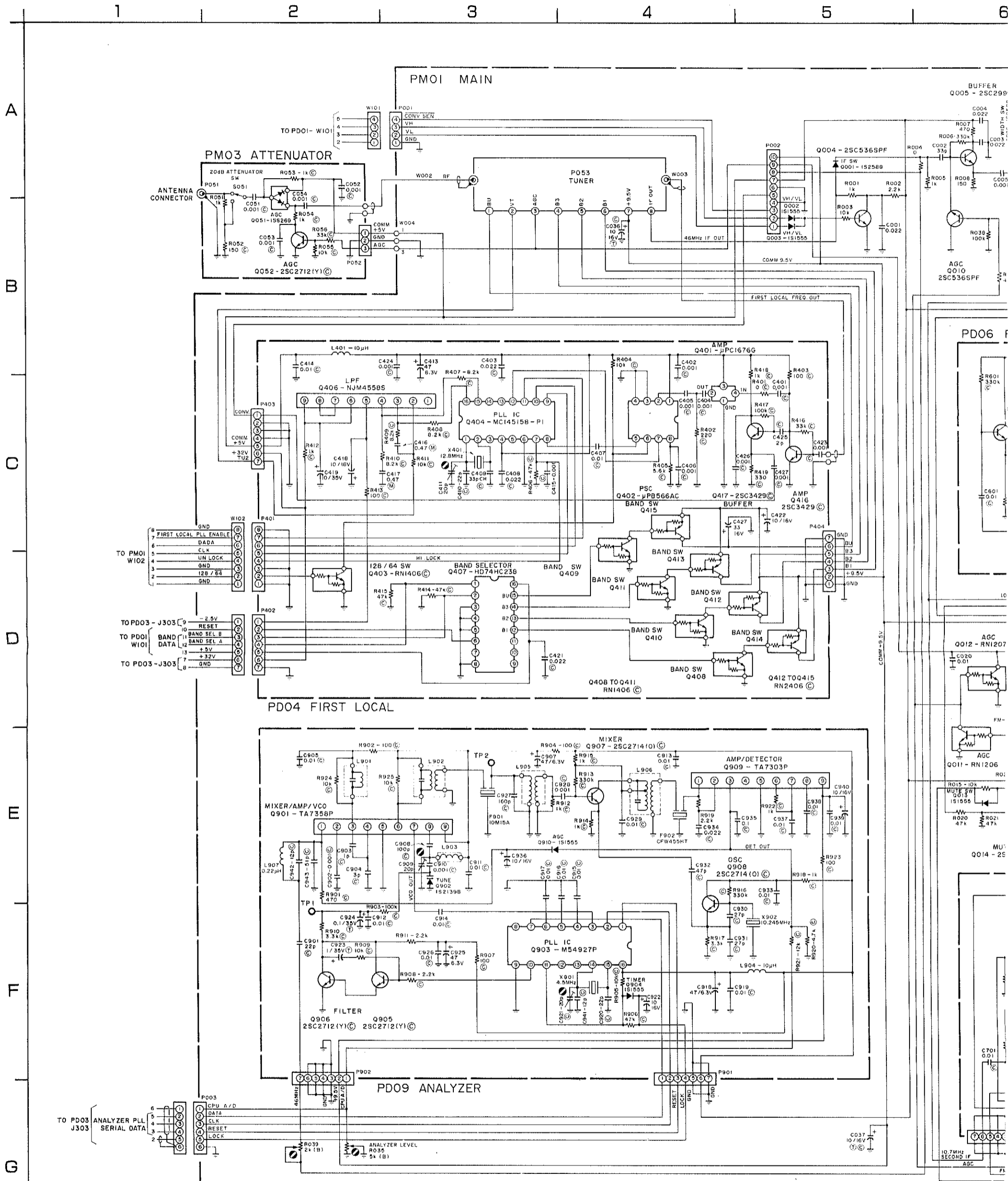
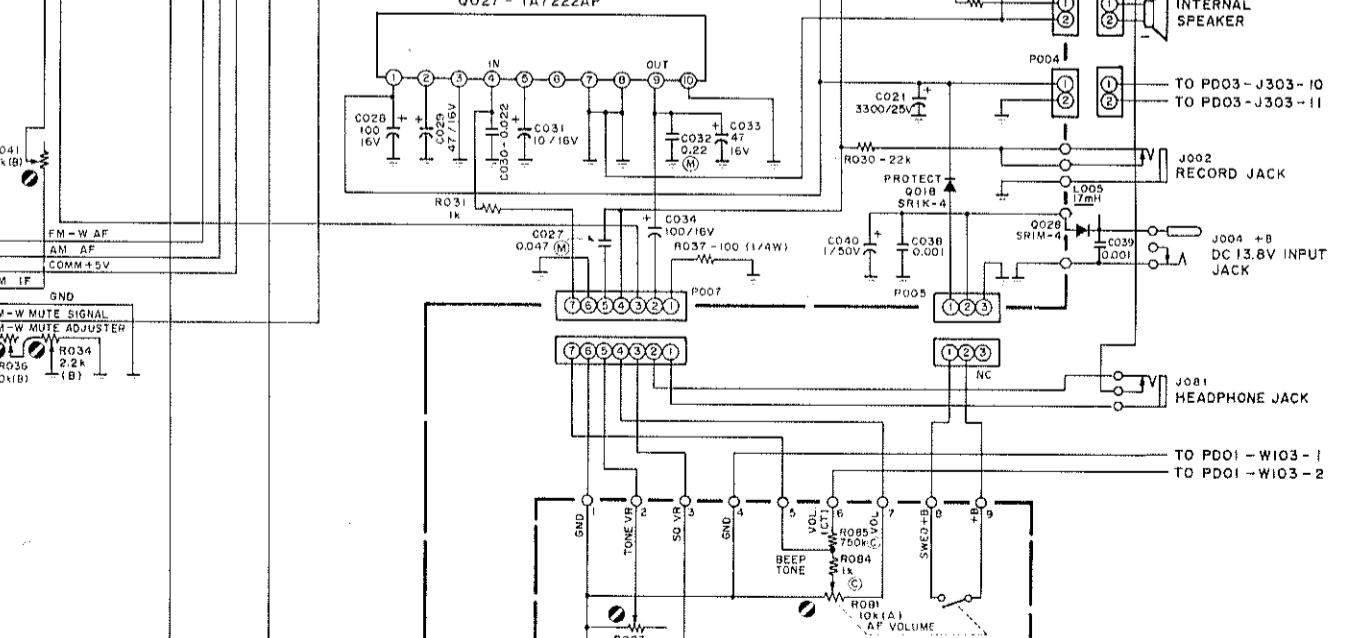
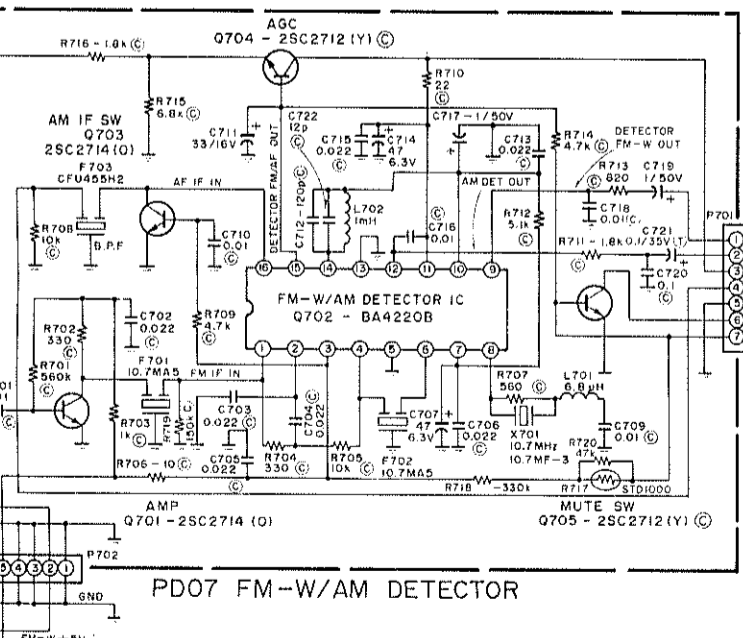
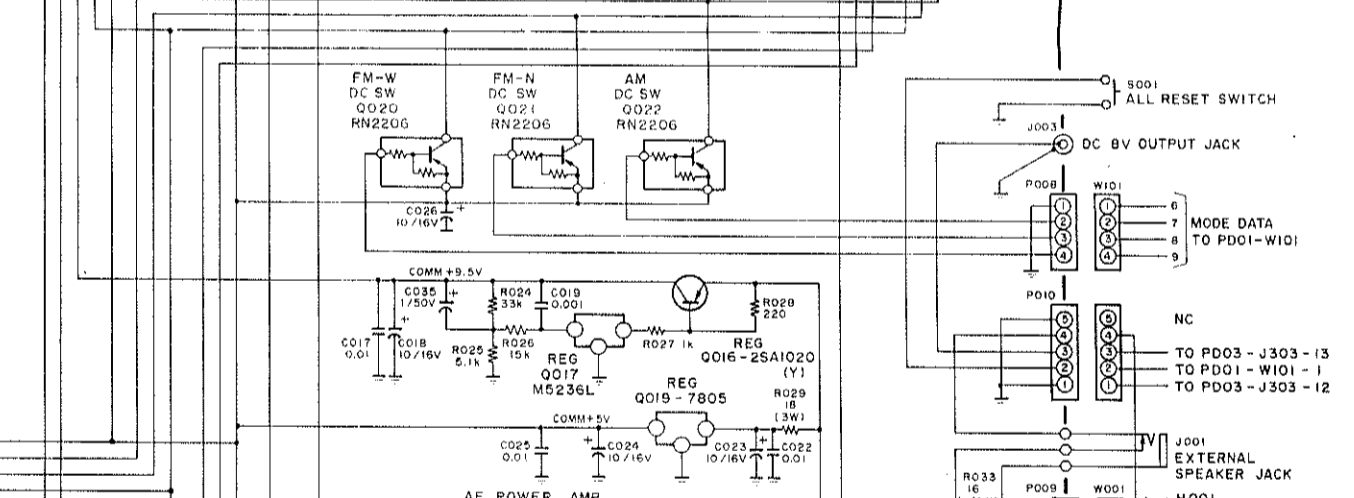
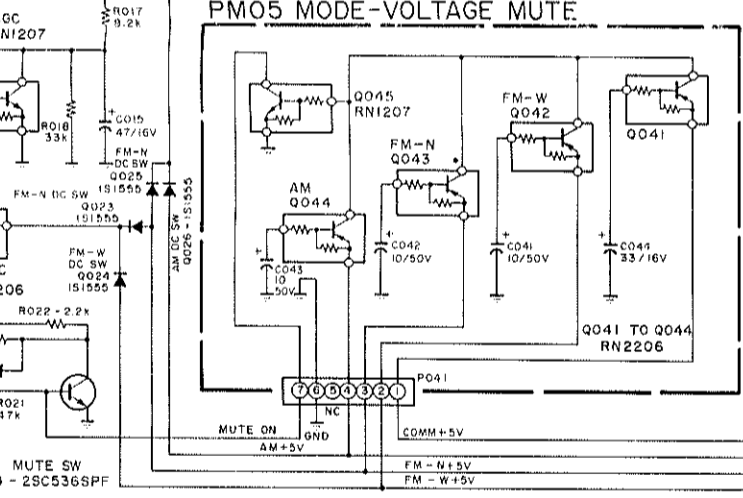
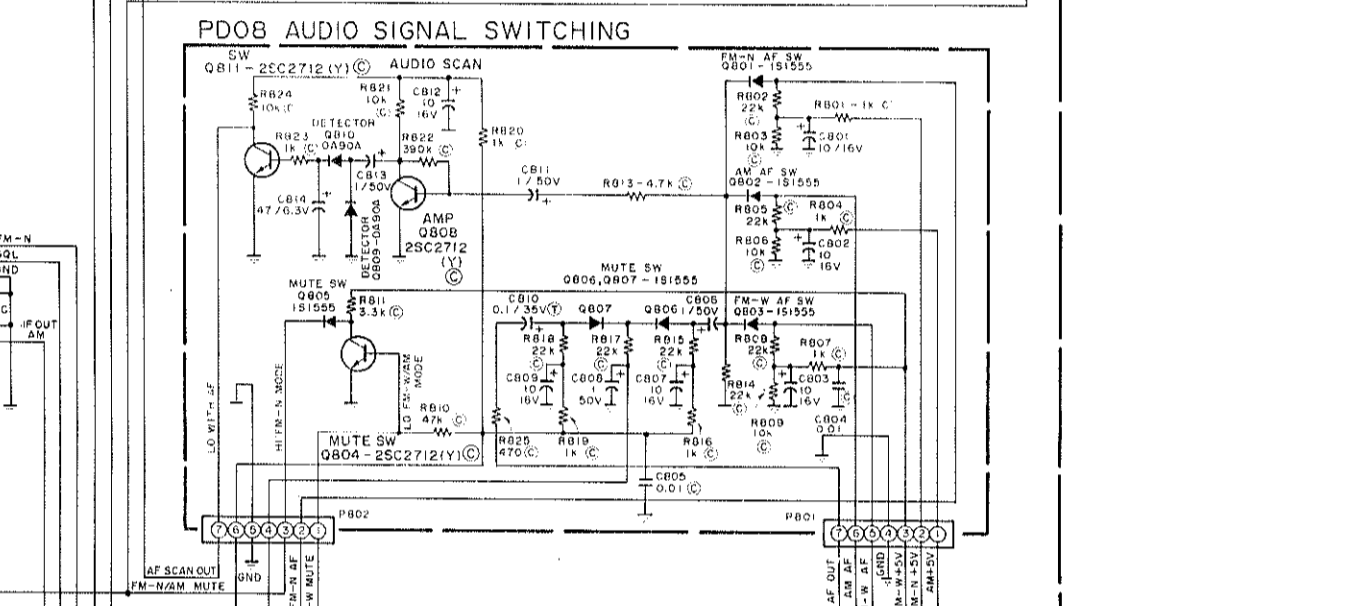
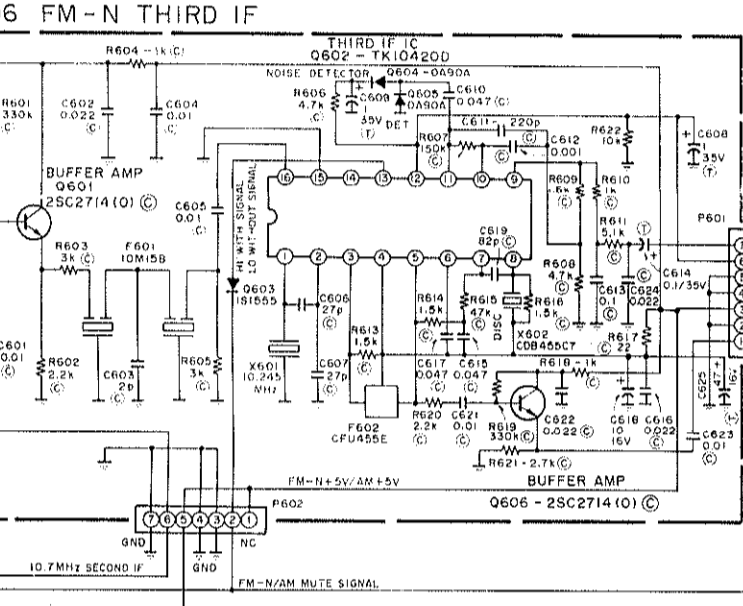
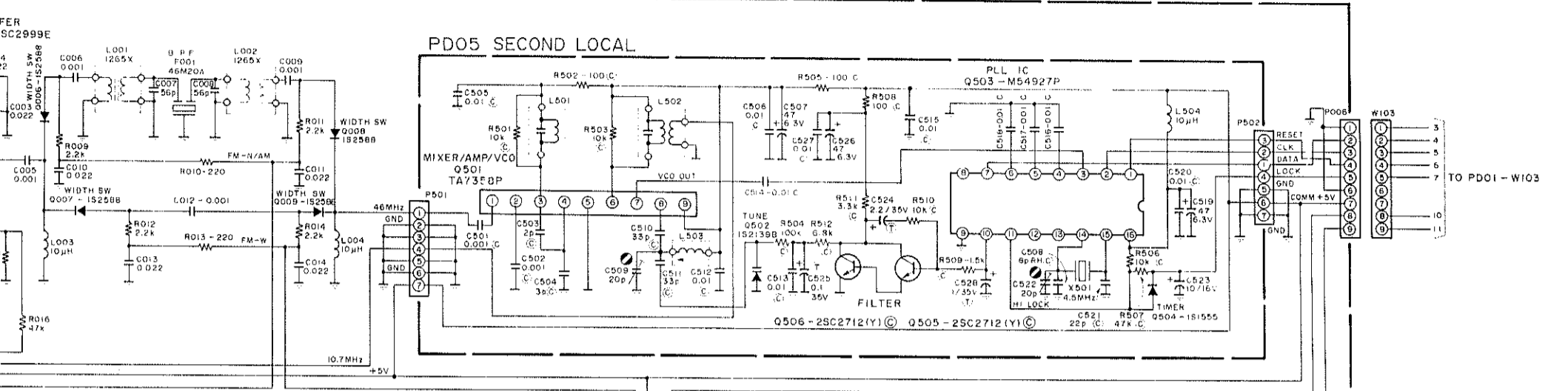


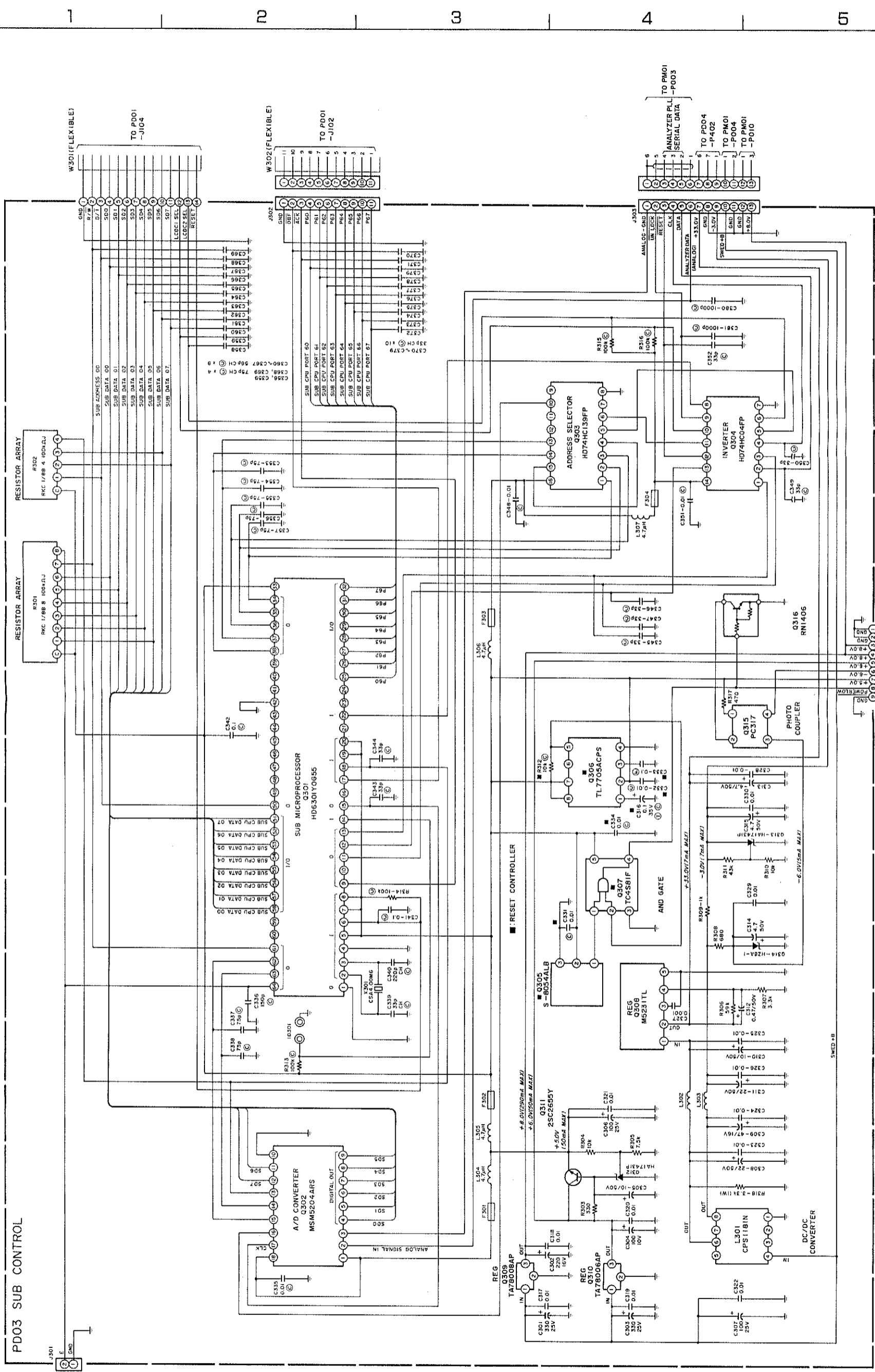
7. SCHEMATIC DIAGRAM





NOTES:
 1. REFER TO PARTS LIST FOR COMPONENT VALUES.
 2. UNLESS OTHERWISE NOTED RESISTOR VALUES ARE IN OHMS, AND CAPACITOR VALUES ARE IN MICROFARADS.

A B C D M T Q



NOTES:

1. REFER TO PARTS LIST FOR COMPONENT VALUES.
2. UNLESS OTHERWISE NOTED RESISTOR VALUES ARE IN OHMS, AND CAPACITOR VALUES ARE IN MICROFARADS.

TO PD03 - J302

TO PD01 - J101

TO PD04 MODE - P402 DATA

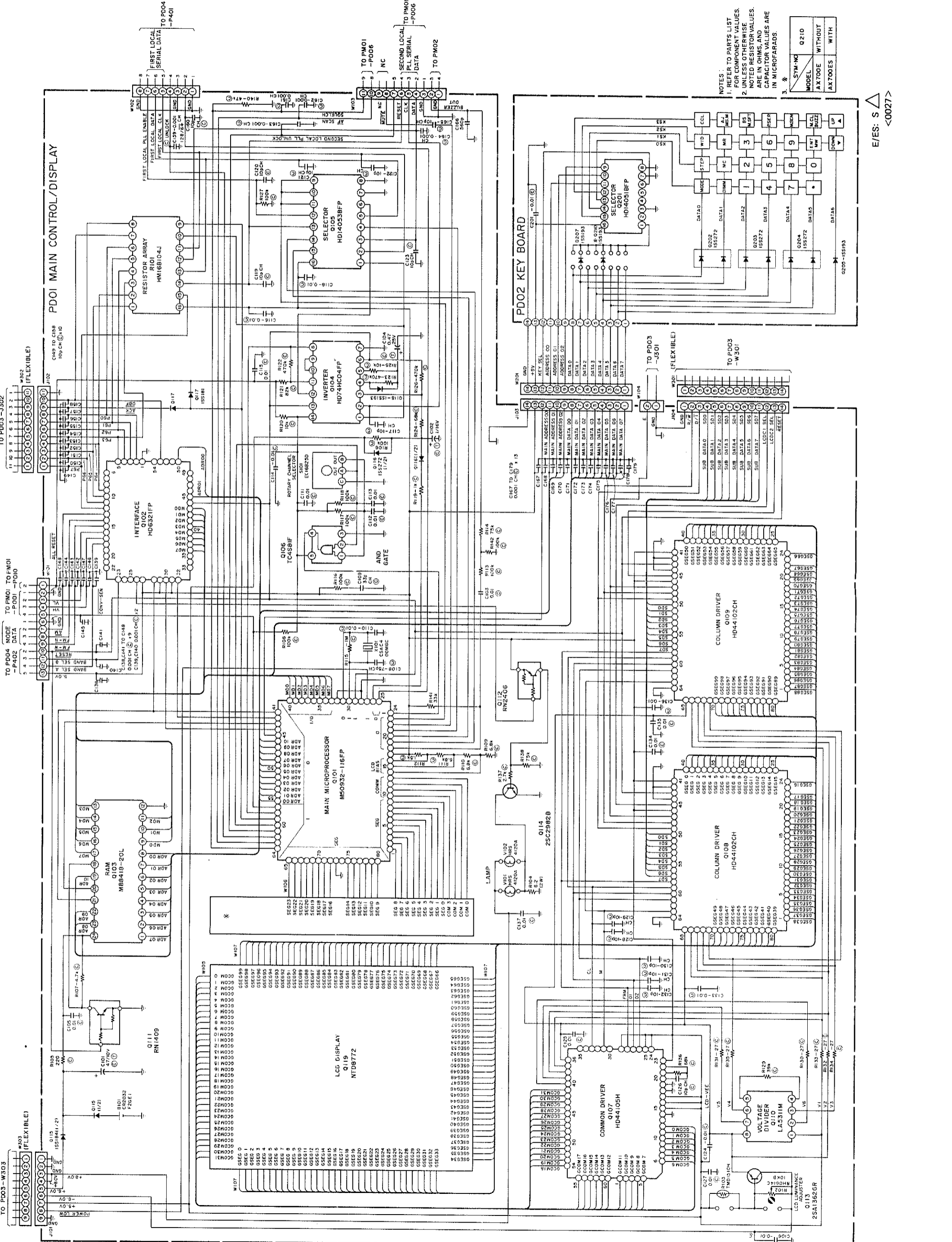
TO PD01 TO PD01

TO PD03 - W303

TO PD01 TO PD01

TO PD01 TO PD01

S 3/3 <0027>



- NOTES:
1. REFER TO PARTS LIST FOR COMPONENT VALUES.
 2. UNLESS OTHERWISE NOTED RESISTOR VALUES ARE IN OHMS, AND CAPACITOR VALUES ARE IN MICROFARADS.

| | |
|---------|---------|
| SYM-NO | Q 210 |
| MODEL | WITHOUT |
| AX TOOE | WITH |

E/ES: S Δ <0027>