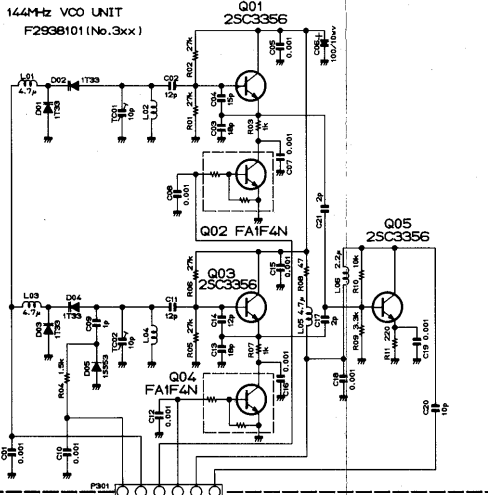


RESISTOR VALUES ARE IN Ω , $\frac{1}{10}$ W:
 CAPACITOR VALUES ARE IN μ F, 50V:
 UNLESS OTHERWISE NOTED.
 (T)CAPACITORS ARE TANTALUM.

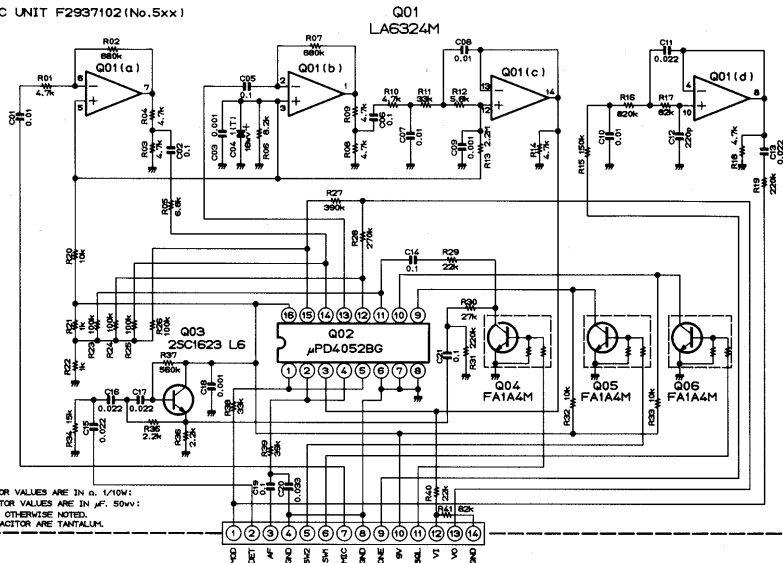
RS4, RS6, RB1, RS5, RB6: 22k Ω
 RS5-RS7 } 150k Ω
 RS9, R60 }
 RB2-RB4 }
 RB7-RB8 }
 R44: OUT OF USE

144MHz VCO UNIT
F2938101 (No.3xx)



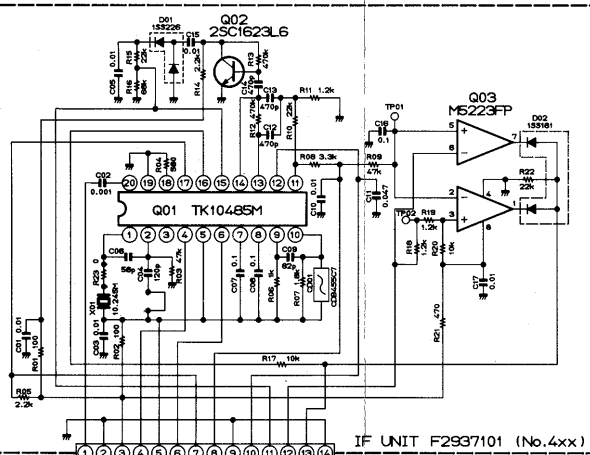
RESISTOR VALUES ARE IN Ω , 1/10W
CAPACITOR VALUES ARE IN μ F, 50V;
INDUCTOR VALUES ARE IN H; UNLESS OTHERWISE NOTED.

MIC UNIT F2937102 (No.5xx)



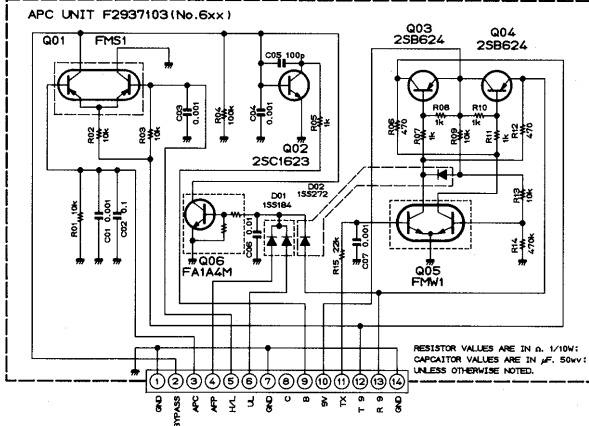
RESISTOR VALUES ARE IN Ω , 1/10W;
CAPACITOR VALUES ARE IN μ F, 50V;
UNLESS OTHERWISE NOTED.
(T) CAPACITOR ARE TANTALUM.

IF UNIT F2937101 (No.4xx)

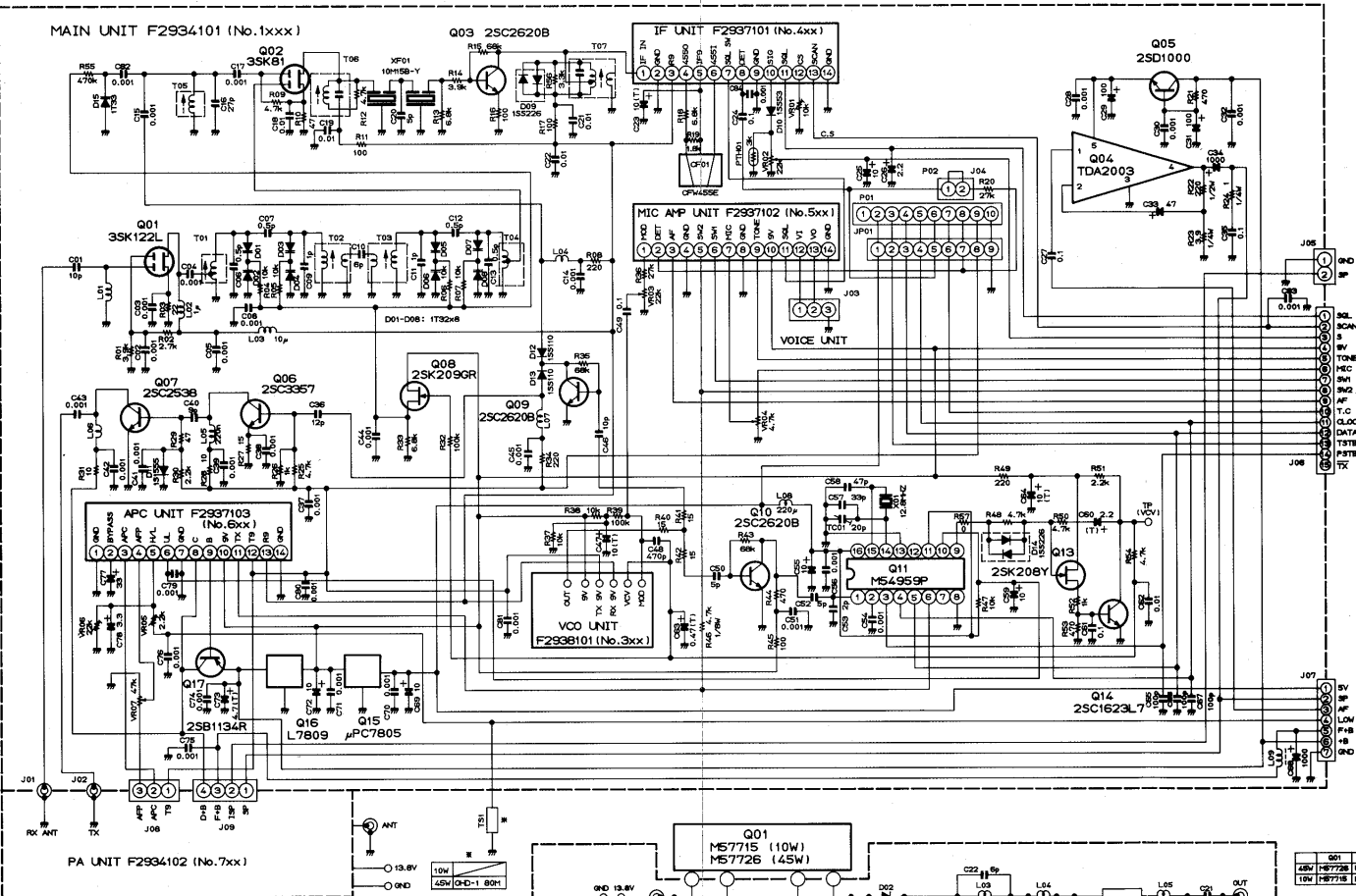


RESISTOR VALUES ARE IN Ω , 1/10W;
CAPACITOR VALUES ARE IN μ F, 50V;
INDUCTOR VALUES ARE IN H;
UNLESS OTHERWISE NOTED.

APC UNIT F2937103 (No.6xx)



RESISTOR VALUES ARE IN Ω , 1/10W;
CAPACITOR VALUES ARE IN μ F, 50V;
UNLESS OTHERWISE NOTED.



RESISTOR VALUES ARE IN Ω , 1/10W;
 CAPACITOR VALUES ARE IN μ F, 50V;
 INDUCTOR VALUES ARE IN H;
 ELECTROLYTIC CAPACITOR VALUES ARE IN μ F, 16V;
 UNLESS OTHERWISE NOTED.
 IT: CAPACITORS ARE TANTALUM.

RESISTOR VALUES ARE IN Ω , 1/10W;
 CAPACITOR VALUES ARE IN μ F, 50V;
 INDUCTOR VALUES ARE IN H;
 ELECTROLYTIC CAPACITOR VALUES ARE IN μ F, 16V;
 UNLESS OTHERWISE NOTED.

FT-212 Circuit Diagram

Downloaded by
 RadioAmateur.EU