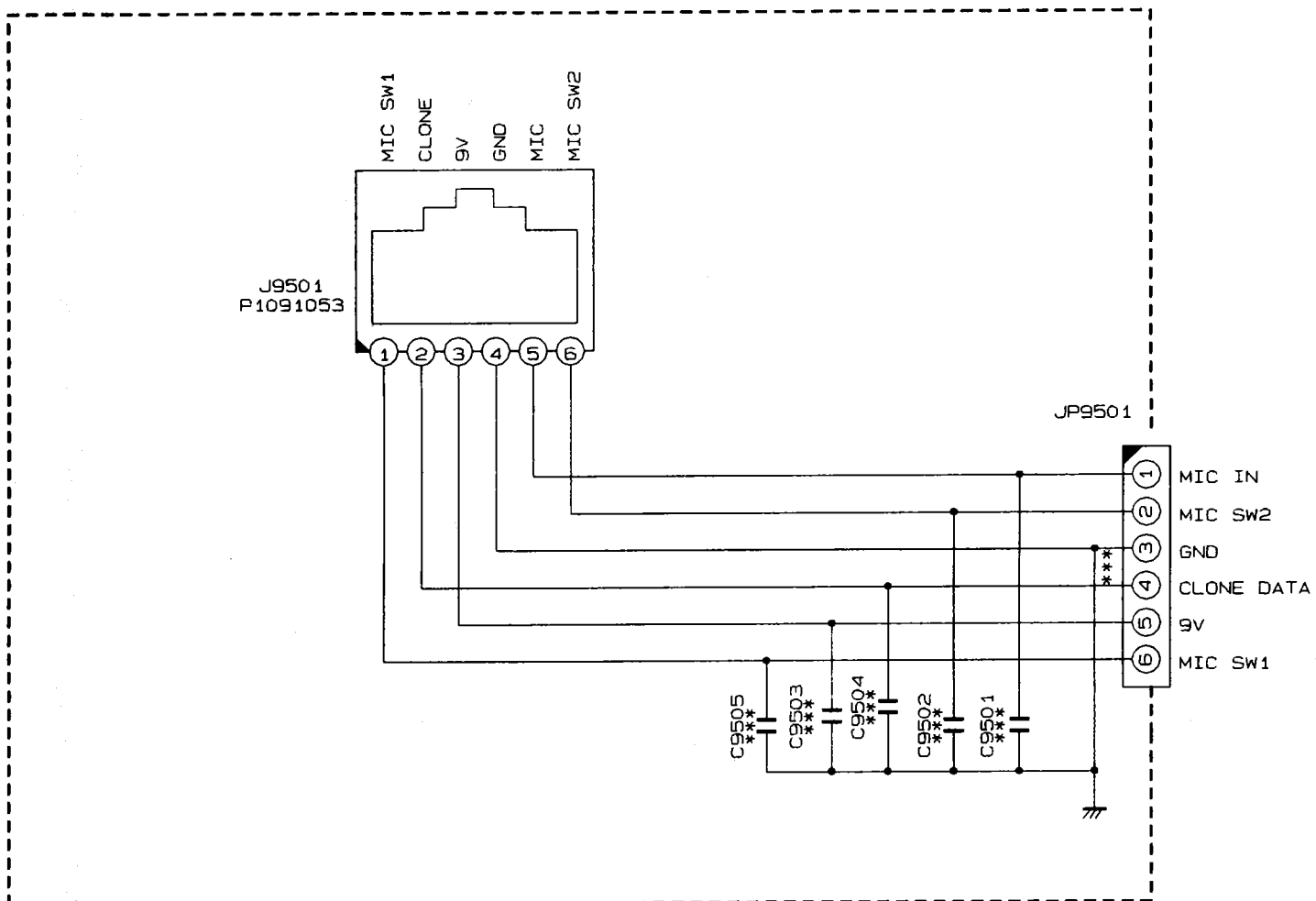
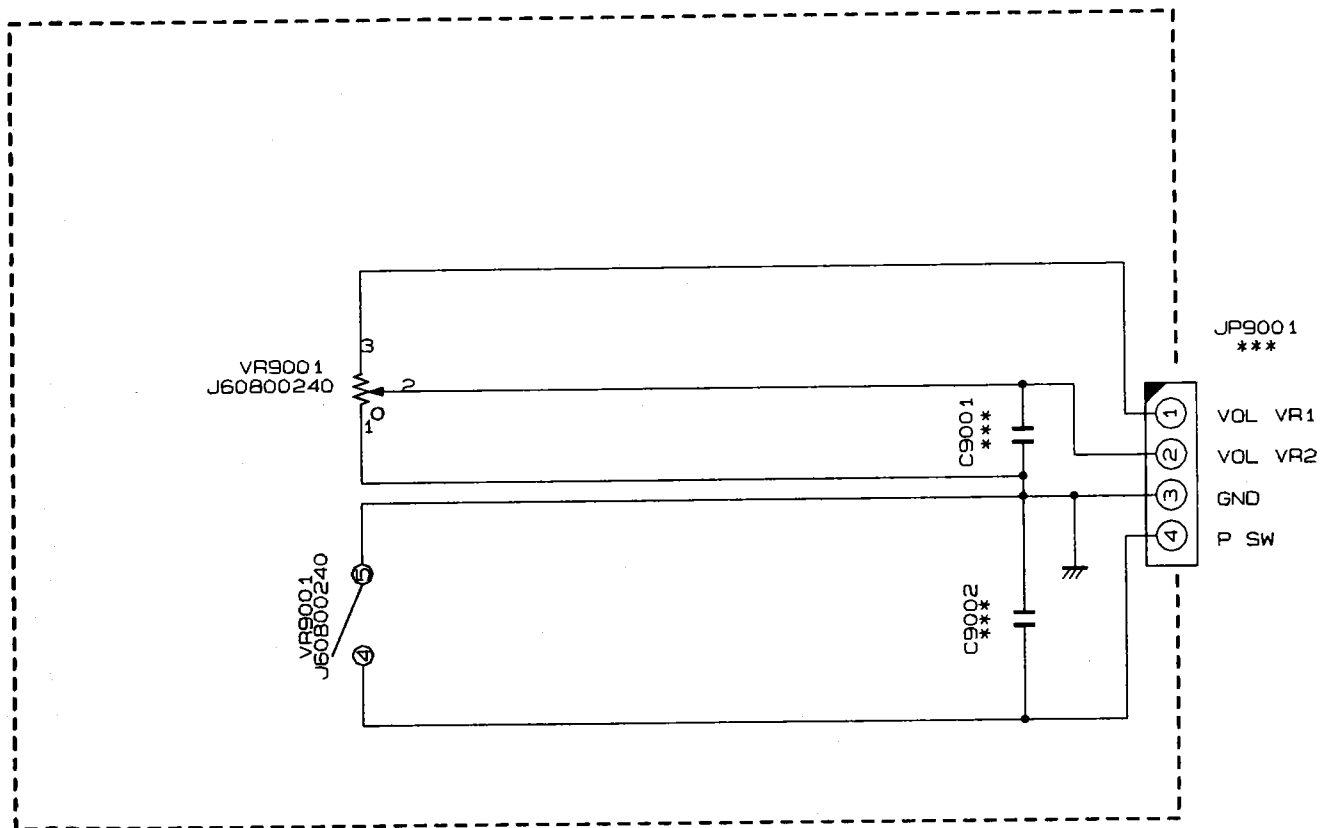
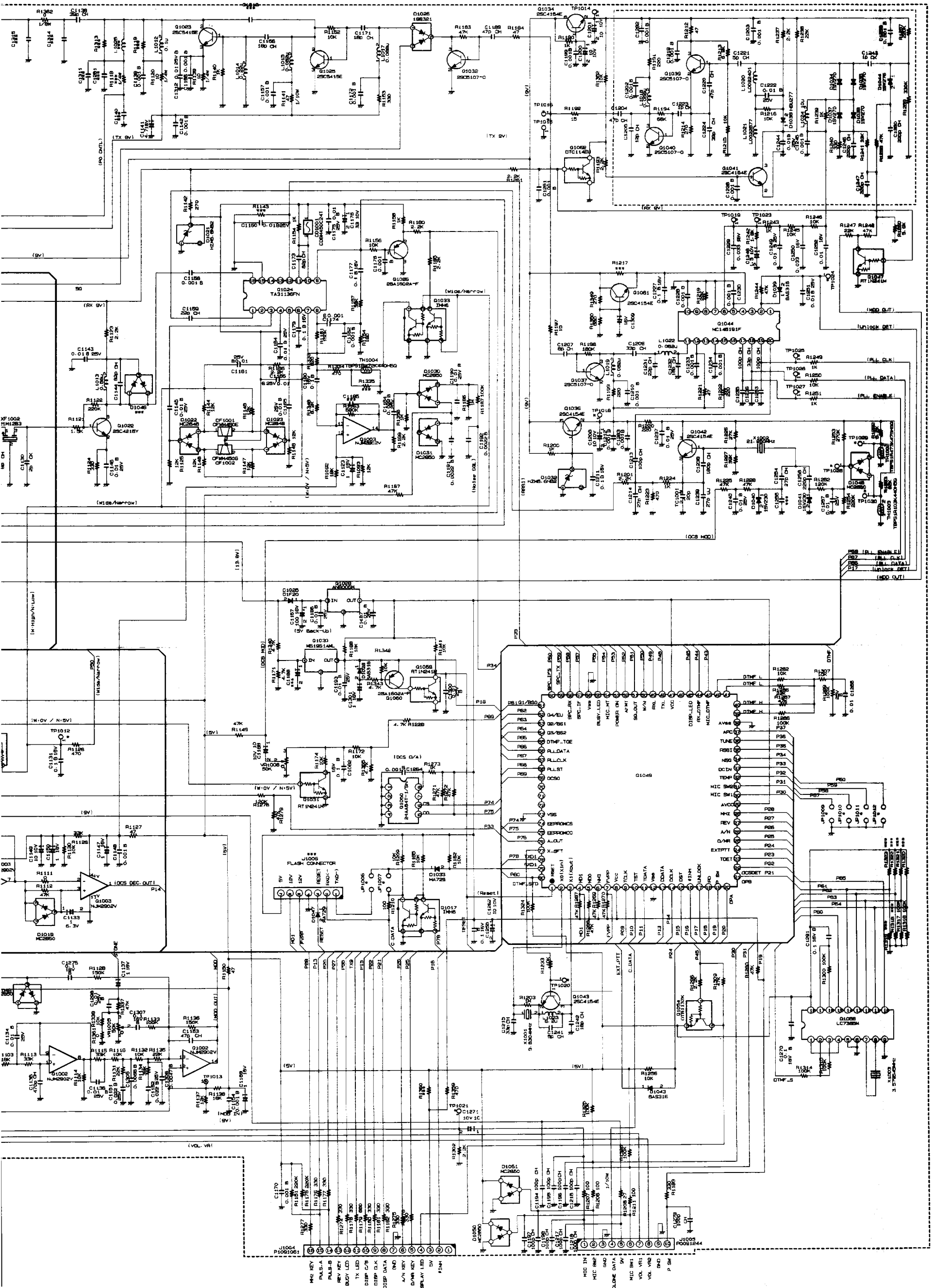
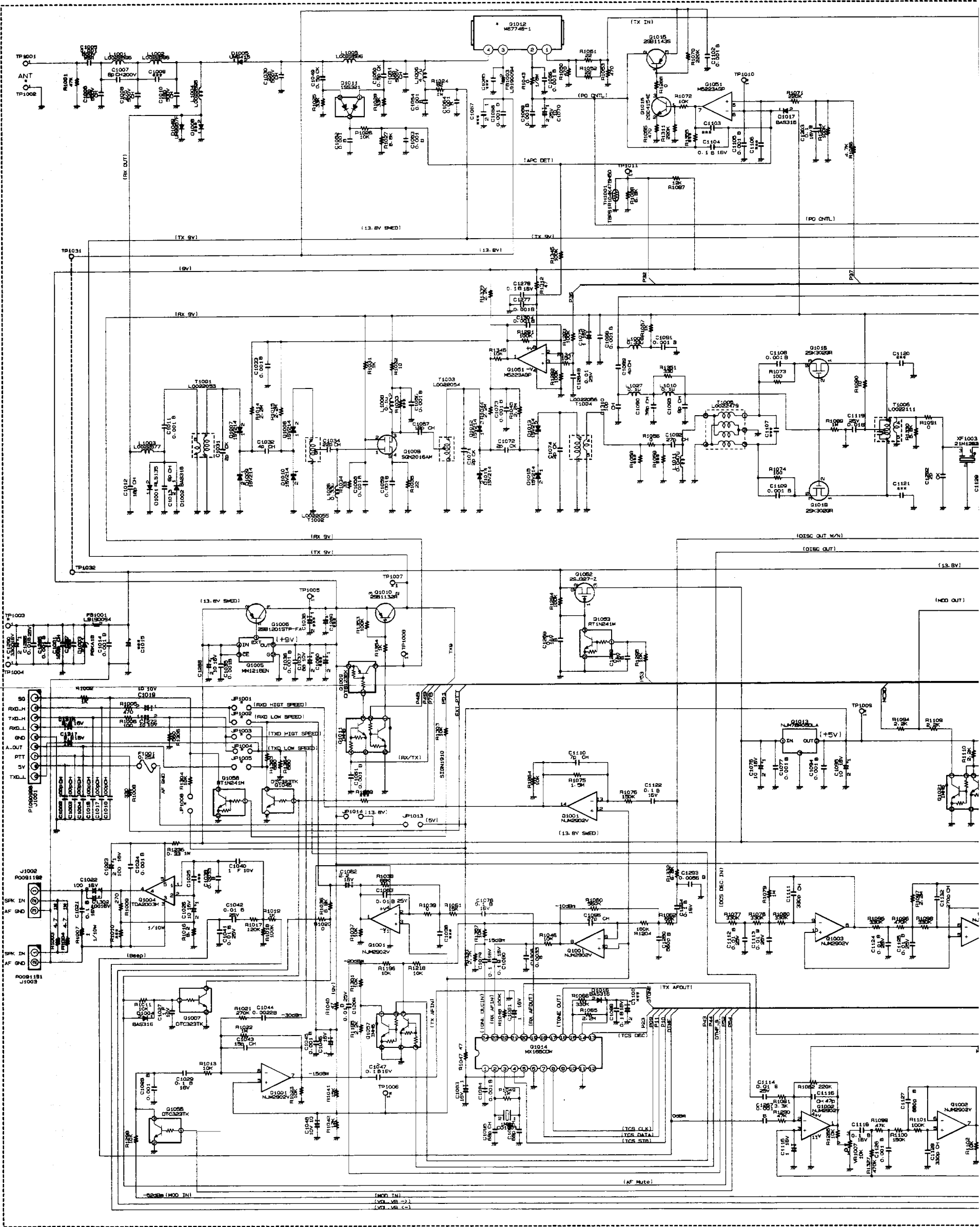


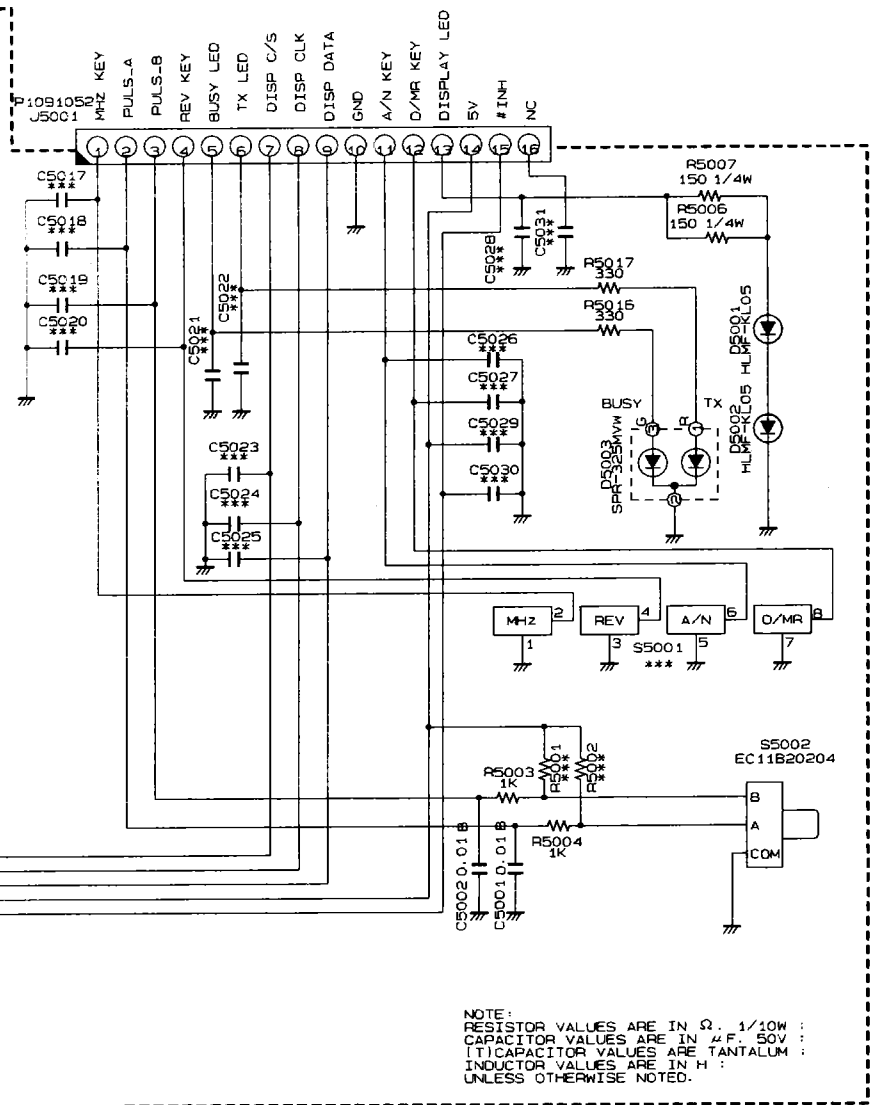
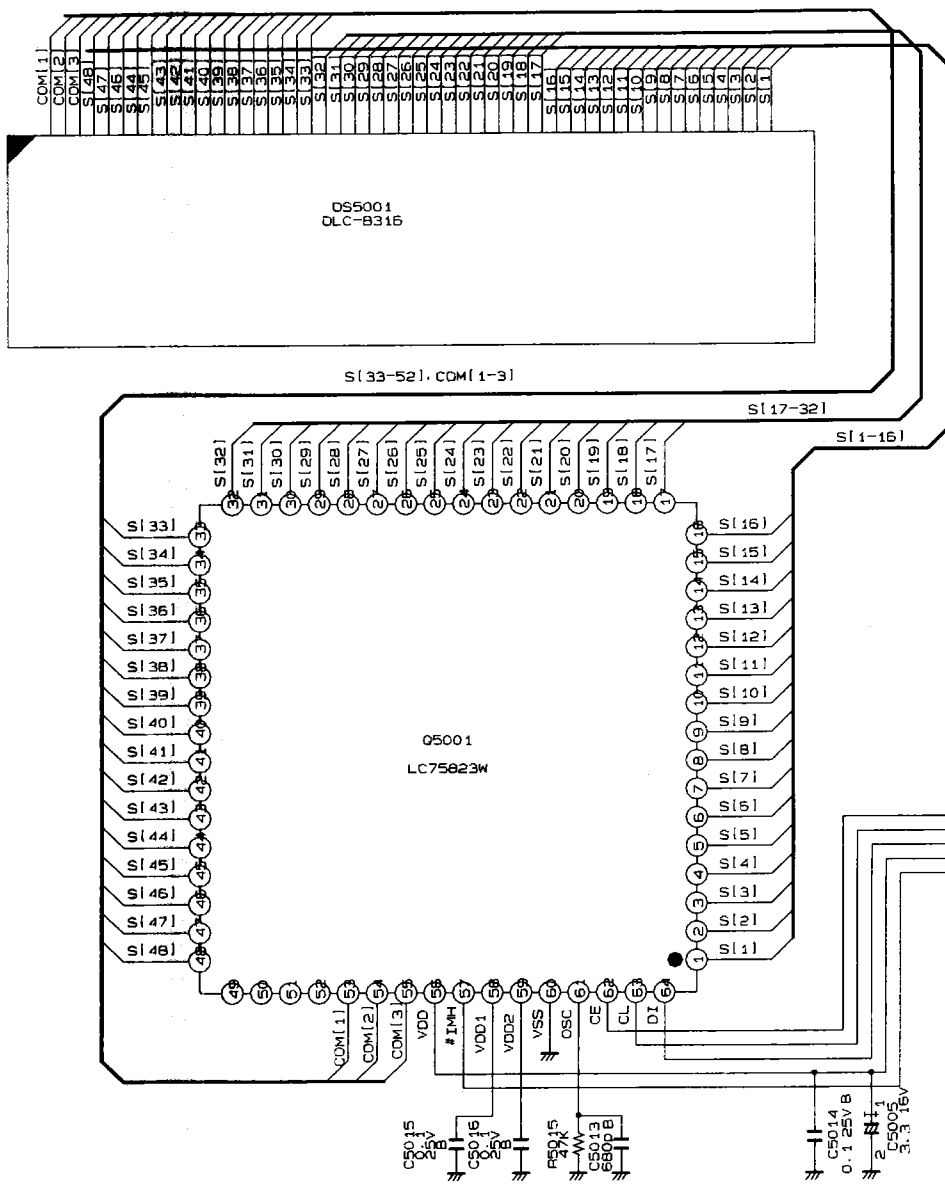
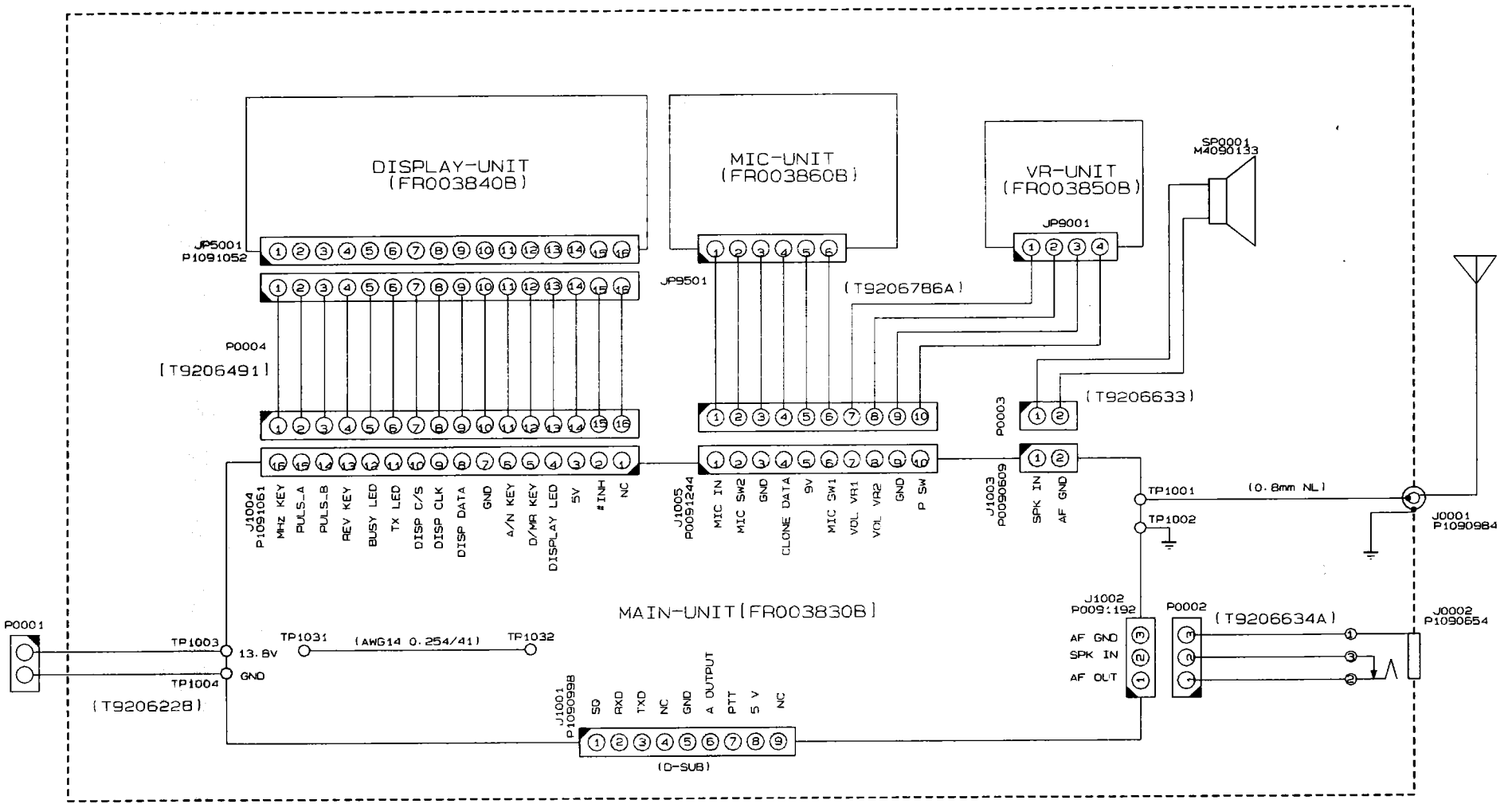
# FT-2600M Circuit Diagram





- MIC KEY
- PULS A
- PULS B
- REV KEY
- BUV LED
- TX LED
- DISP C/B
- DISP D.K
- DISP DATA
- END KEY
- A/N KEY
- DISPLAY LED
- 5V
- 5V
- 5V
- MIC IN
- MIC SW
- END
- SW
- MIC SW
- VOL VRI
- VOL VRI
- END
- END
- P SW





NOTE:  
 RESISTOR VALUES ARE IN Ω, 1/10W ;  
 CAPACITOR VALUES ARE IN μF, 50V ;  
 (\*) CAPACITOR VALUES ARE TANTALUM ;  
 INDUCTOR VALUES ARE IN H ;  
 UNLESS OTHERWISE NOTED.