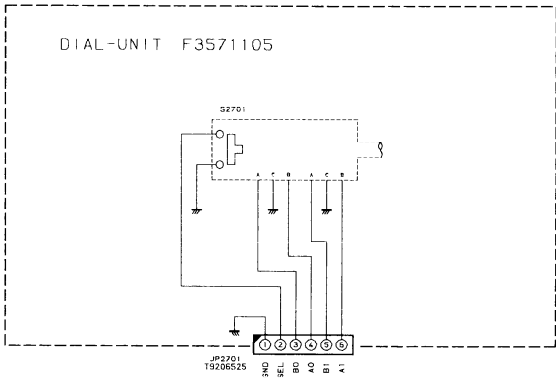
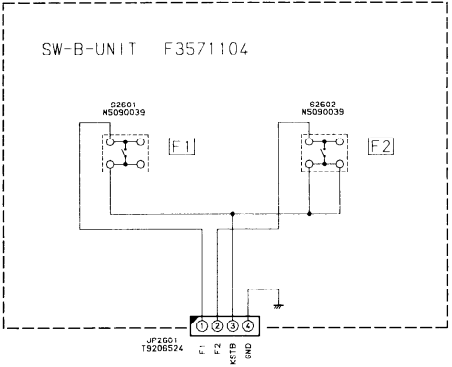
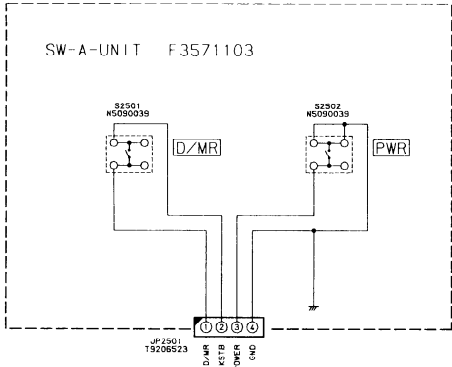


NOTE:
RESISTOR VALUES ARE IN 4.1/16W;
CAPACITOR VALUES ARE IN 4.1/50V;
TI CAPACITOR VALUES ARE TANTALUM;
UNLESS OTHERWISE NOTED.



FT-3000M CIRCUIT DIAGRAM

