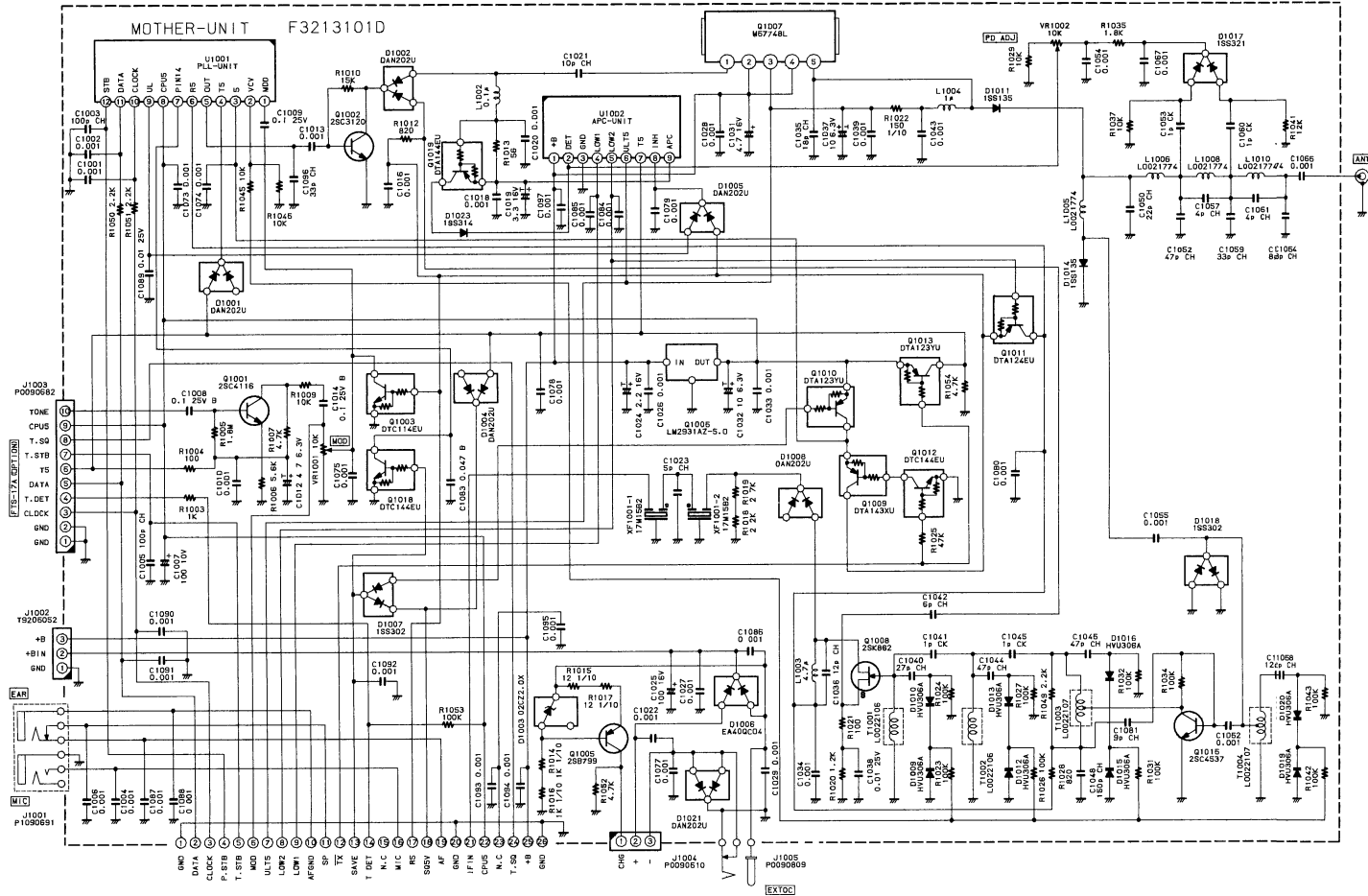
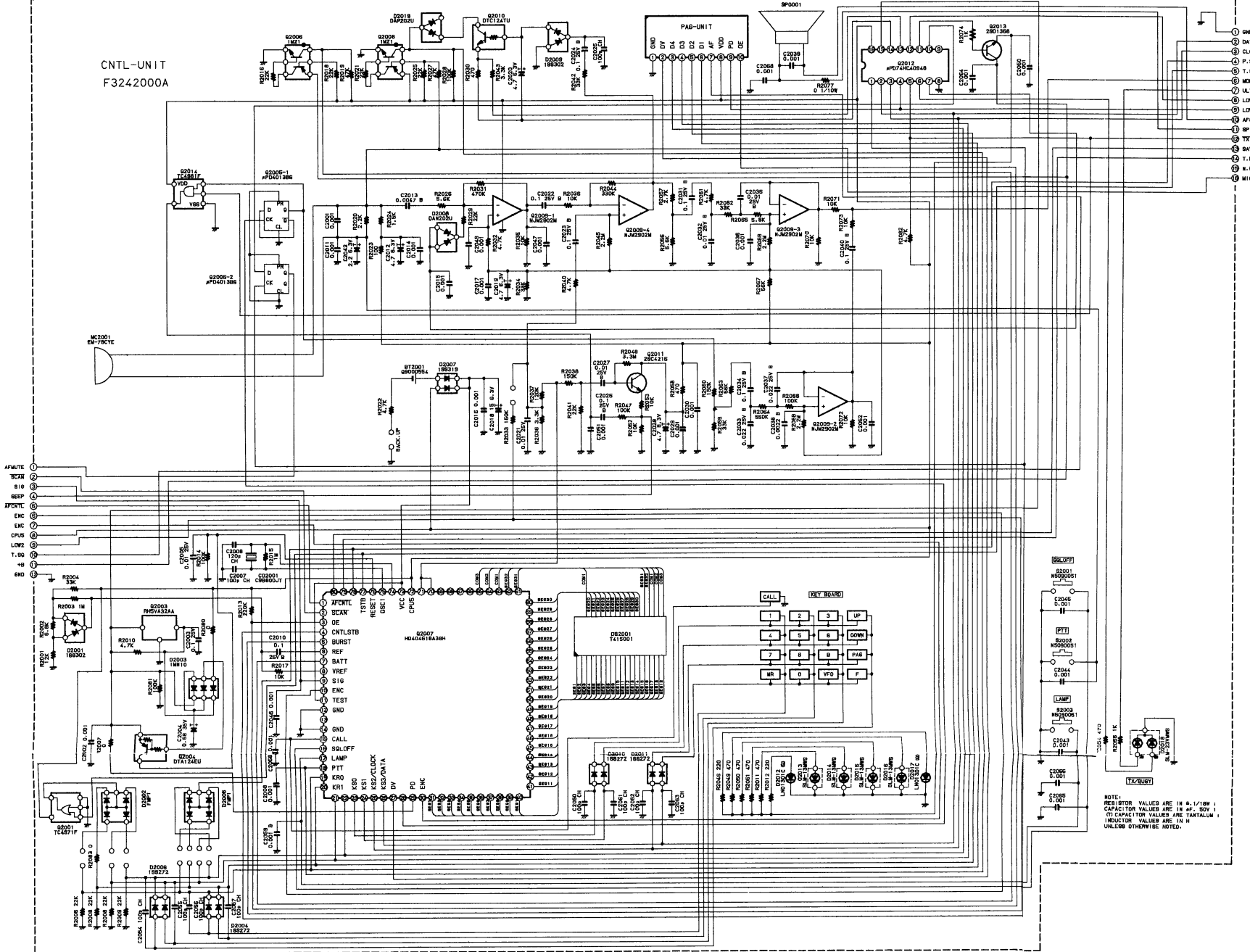


# FT-416 Circuit Diagram

Scanned by IW5DBZ  
Downloaded by Amateur Radio Directory  
www.hamdirectory.info



CNTL-UNIT  
F3242000A



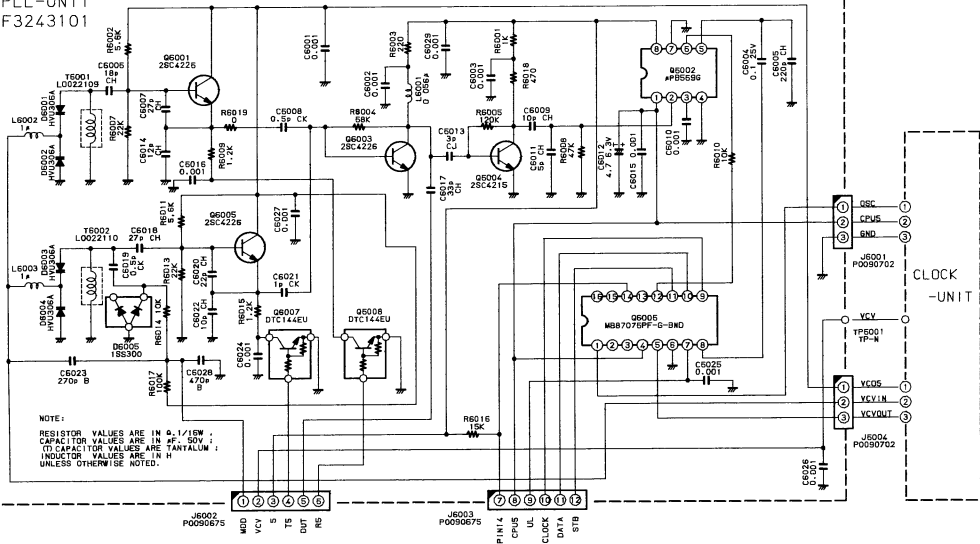
- ① GND
- ② DATA
- ③ CLOCK
- ④ P. STB
- ⑤ T. STB
- ⑥ MDI
- ⑦ ULTS
- ⑧ LOWZ
- ⑨ LNK
- ⑩ SP
- ⑪ TX
- ⑫ BAVE
- ⑬ T. DET
- ⑭ K. C
- ⑮ MIC

- AFMUTE
- SCAN
- B16
- REP
- AFMUTE
- ENC
- ENC
- CPLR
- LOWZ
- 48
- GND

NOTE:  
RESISTOR VALUES ARE 1% ± 1/10W ±  
CAPACITOR VALUES ARE 1% ± 50V ±  
(T) CAPACITOR VALUES ARE TANTALUM ±  
INDUCTOR VALUES ARE 1% H  
UNLESS OTHERWISE NOTED.



PLL-UNIT  
F3243101

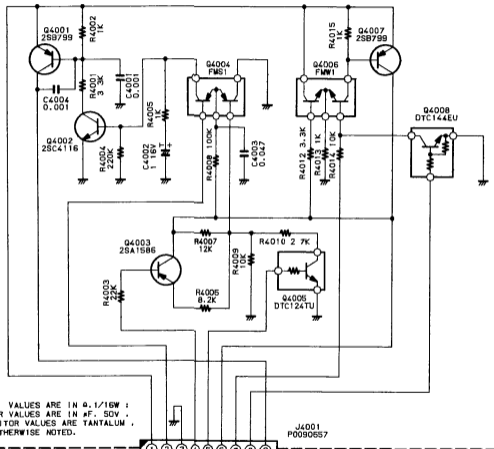


NOTE:

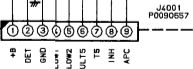
RESISTOR VALUES ARE IN Ω, 1/10W;  
CAPACITOR VALUES ARE IN PF, 50V;  
(T) CAPACITOR VALUES ARE TANTALUM;  
INDUCTOR VALUES ARE IN H  
UNLESS OTHERWISE NOTED.

CLOCK  
-UNIT

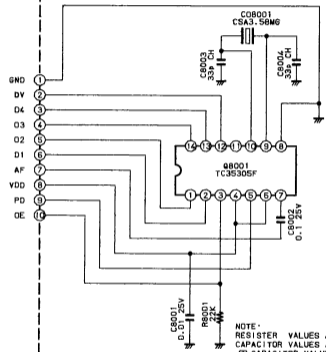
APC-UNIT F3243102



NOTE  
RESISTOR VALUES ARE IN Ω, 1/16W ;  
CAPACITOR VALUES ARE IN μF, SOV .  
(T) CAPACITOR VALUES ARE TANTALUM ;  
UNLESS OTHERWISE NOTED.



PAG-UNIT F3237101



NOTE  
RESISTOR VALUES ARE IN Ω, 1/16W ;  
CAPACITOR VALUES ARE IN μF, SOV ;  
(T) CAPACITOR VALUES ARE TANTALUM ;  
UNLESS OTHERWISE NOTED.

