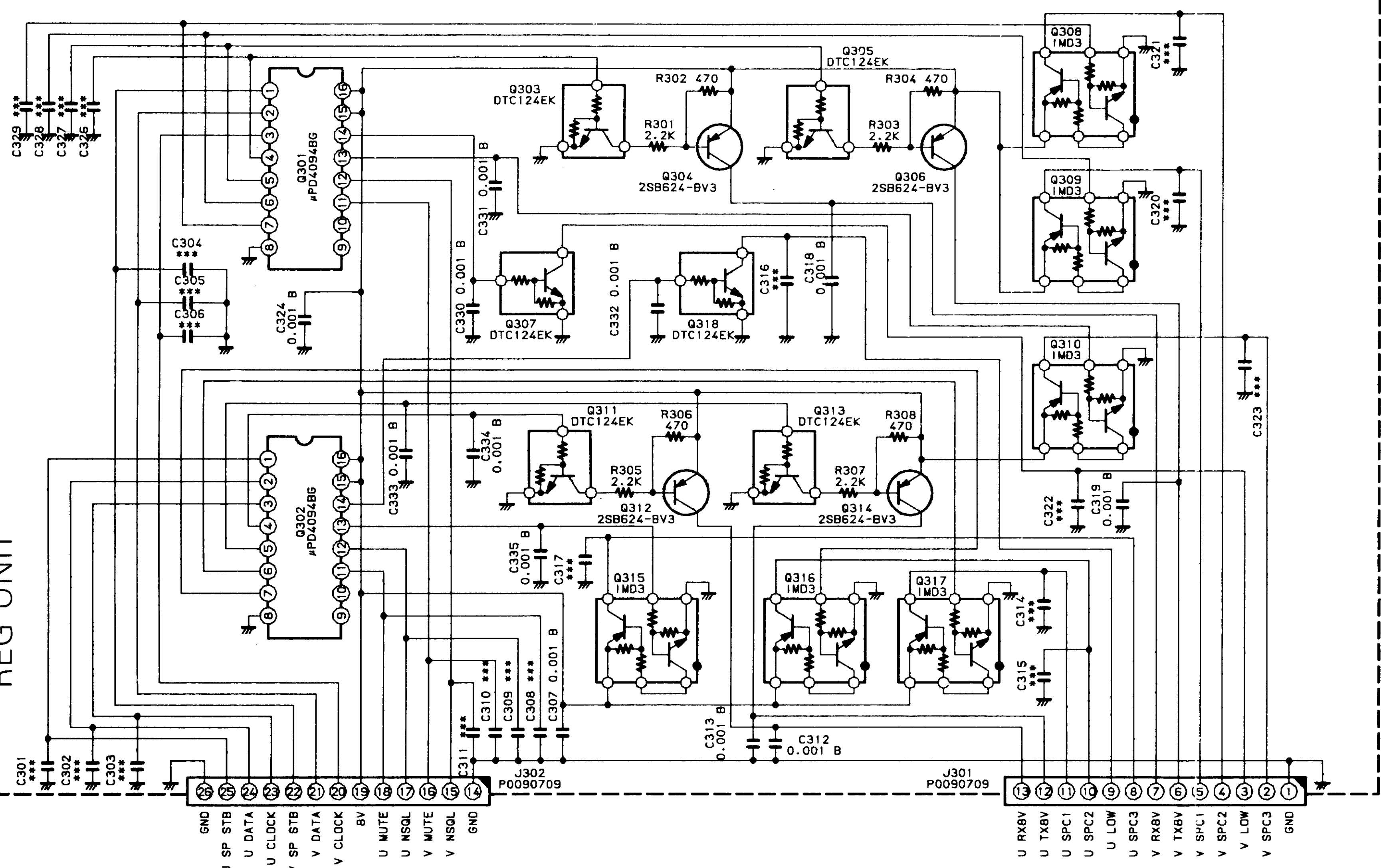
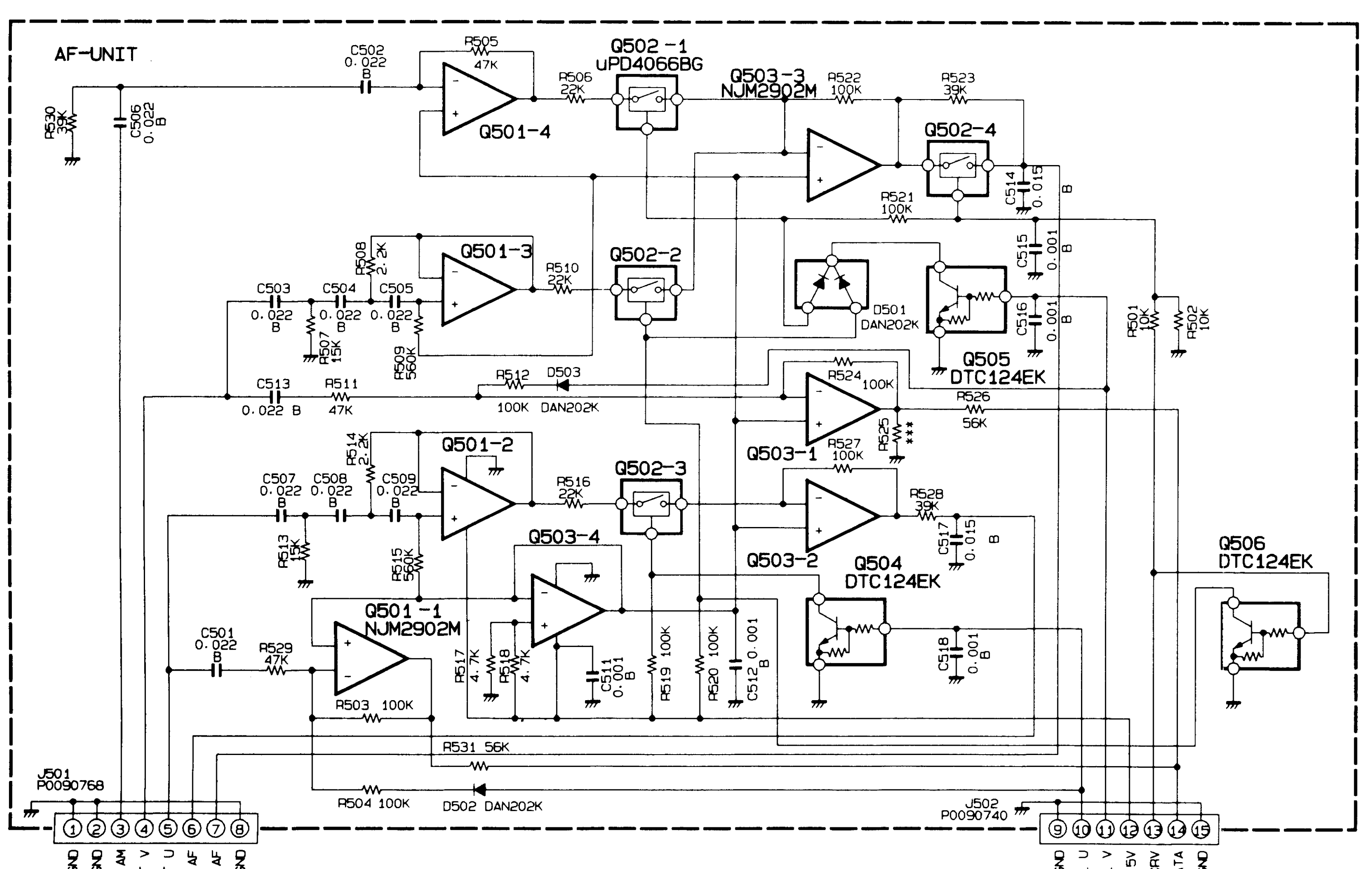
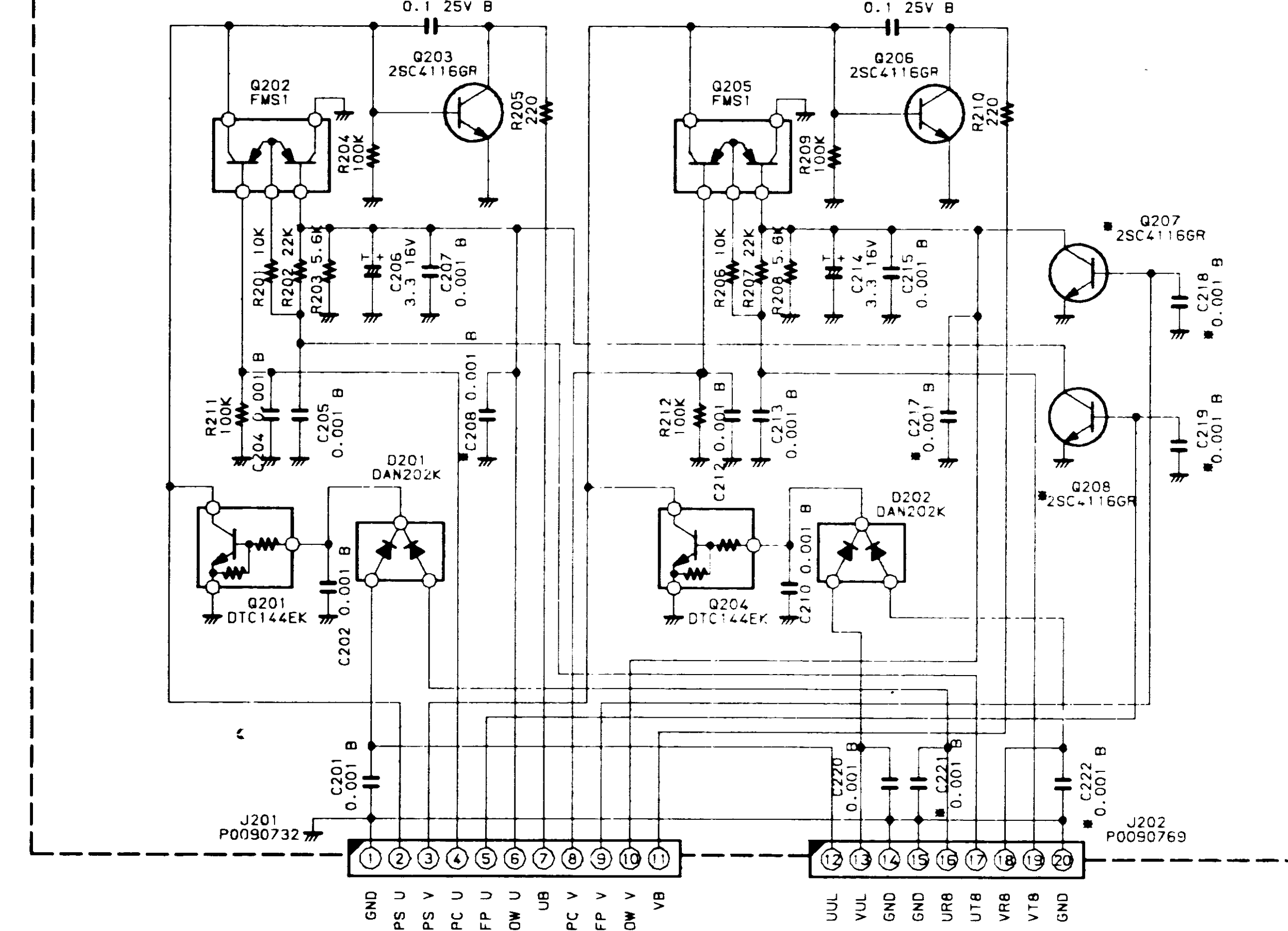


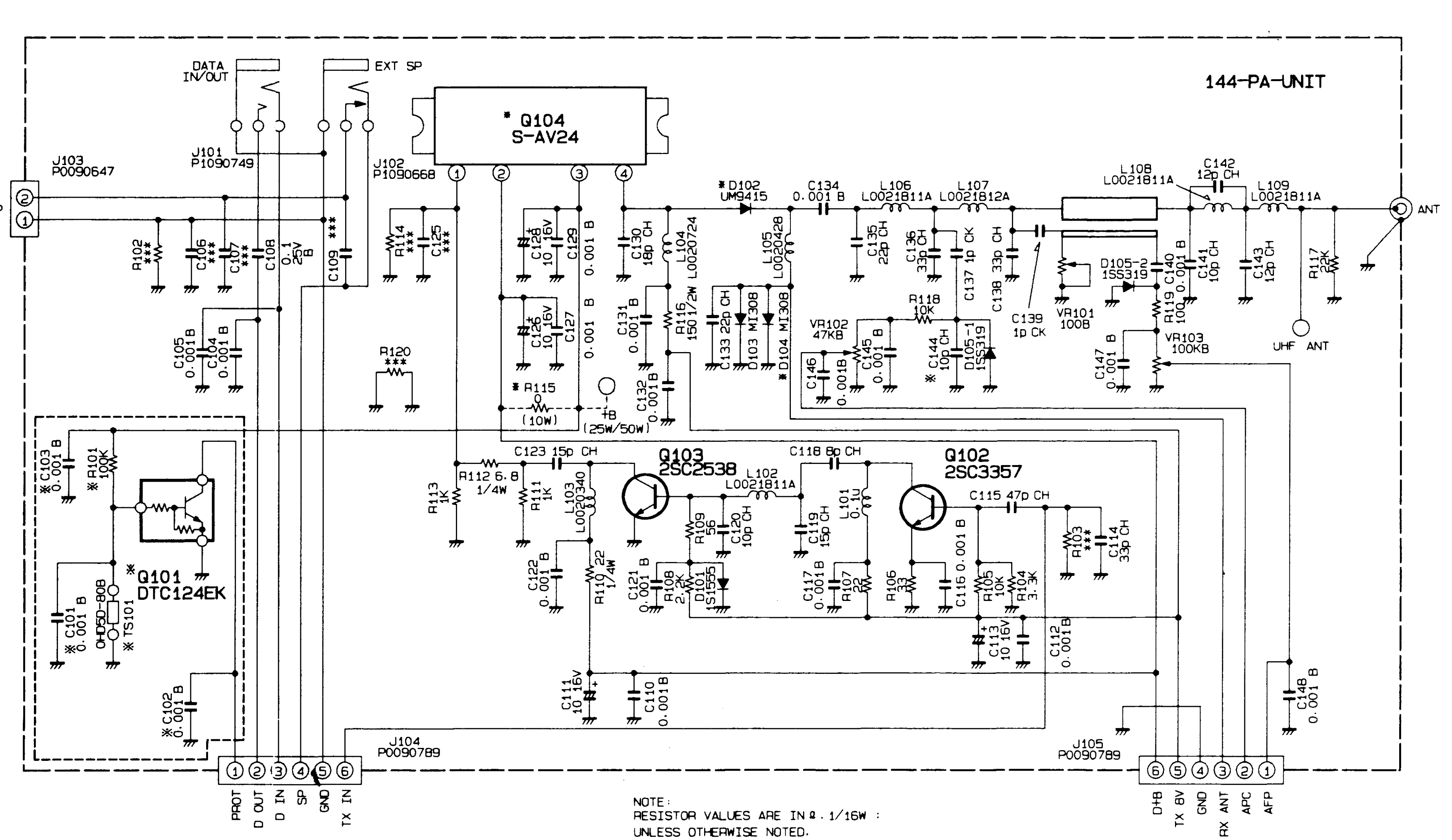
# REG UNIT



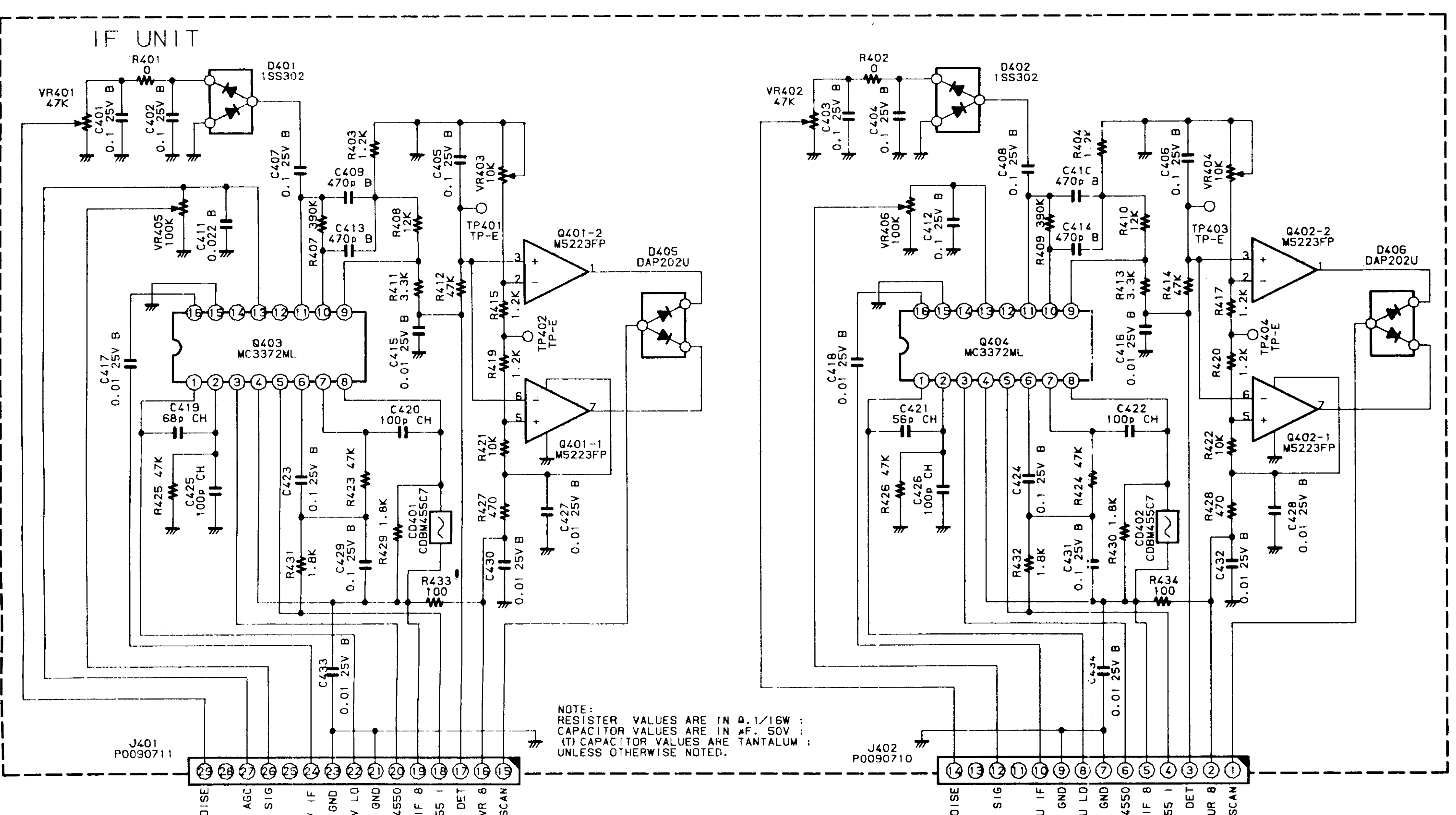
# APC UNIT



NOTE:  
RESISTOR VALUES ARE IN Ω, 1/16W ;  
CAPACITOR VALUES ARE IN μF, 50V ;  
UNLESS OTHERWISE NOTED.



NOTE:  
RESISTOR VALUES ARE IN Ω, 1/16W ;  
UNLESS OTHERWISE NOTED.



NOTE:  
RESISTOR VALUES ARE IN Ω, 1/16W ;  
CAPACITOR VALUES ARE IN μF, 50V ;  
CUT CAPACITOR VALUES ARE TANTALUM ;  
UNLESS OTHERWISE NOTED.

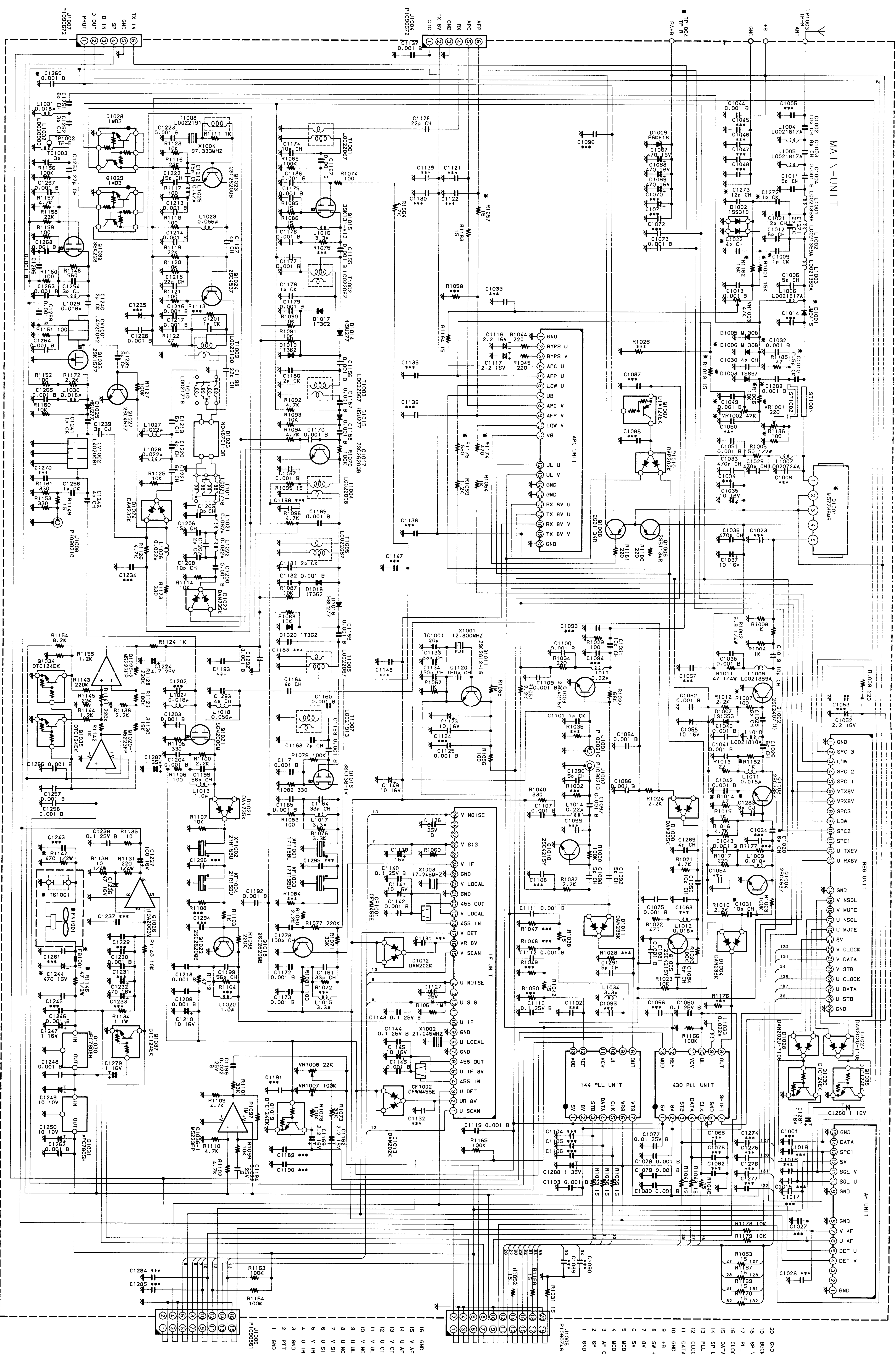
# FT-5100

## SCHEMATIC DIAGRAMS

Downloaded by  
**RadioAmateur.EU**



NOTE: CAPACITOR VALUES ARE IN P.F./10<sup>n</sup> UNLESS OTHERWISE NOTED.  
RESISTOR VALUES ARE IN P.F. UNLESS OTHERWISE NOTED.

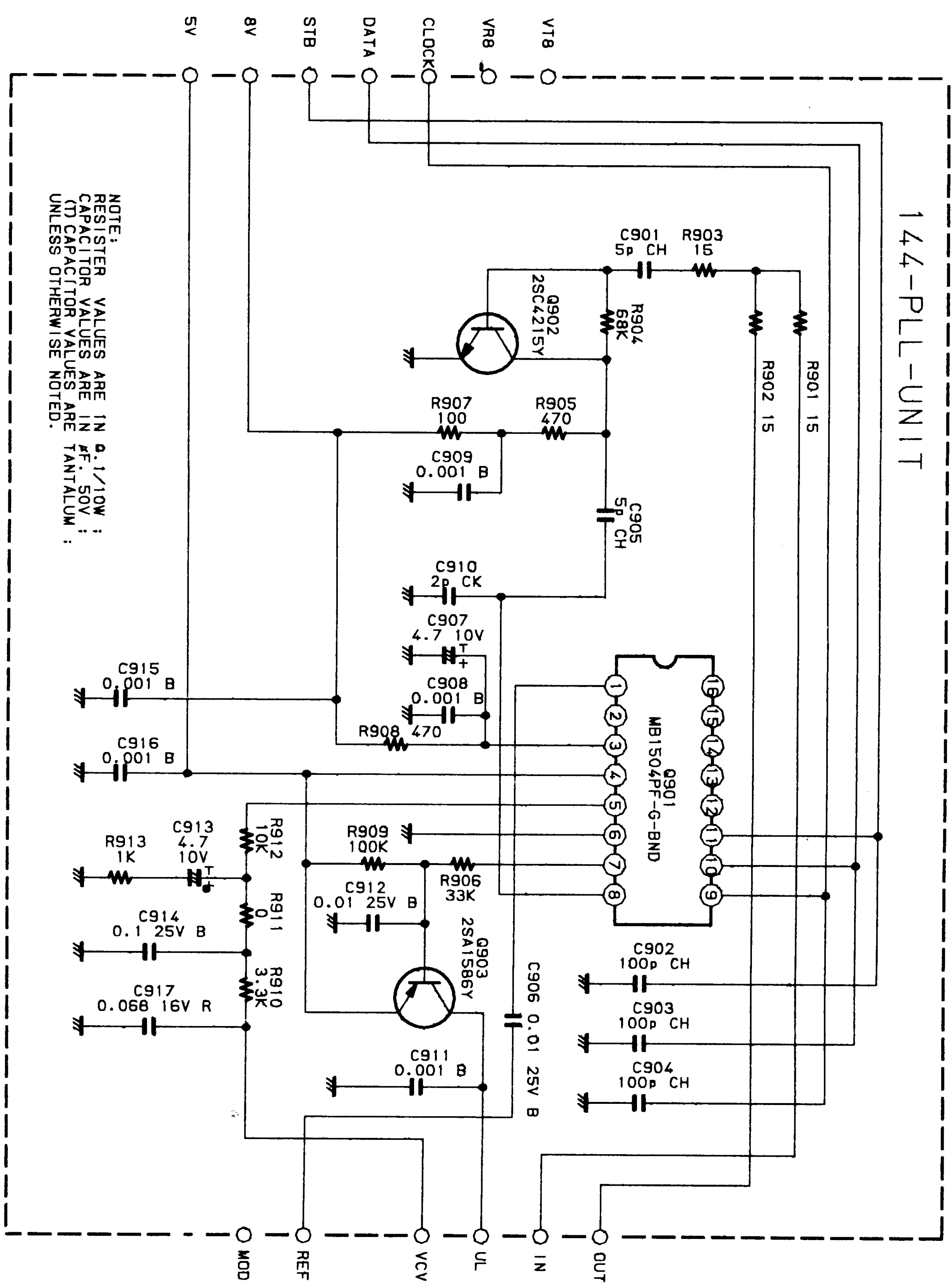


- 20 GND
- 19 BUCK UP
- 18 SP V STB
- 17 PLL V STB
- 16 CLOCK V
- 15 DATA V
- 14 SP U STB
- 13 PLL U STB
- 12 CLOCK U
- 11 DATA U
- 10 GND
- 9 +B
- 8 SW +B
- 7 SV
- 6 SV
- 5 MDO GND
- 4 AF OUT
- 3 AF OUT
- 2 SP
- 1 GND









Downloaded by  
RadioAmateur.EU

