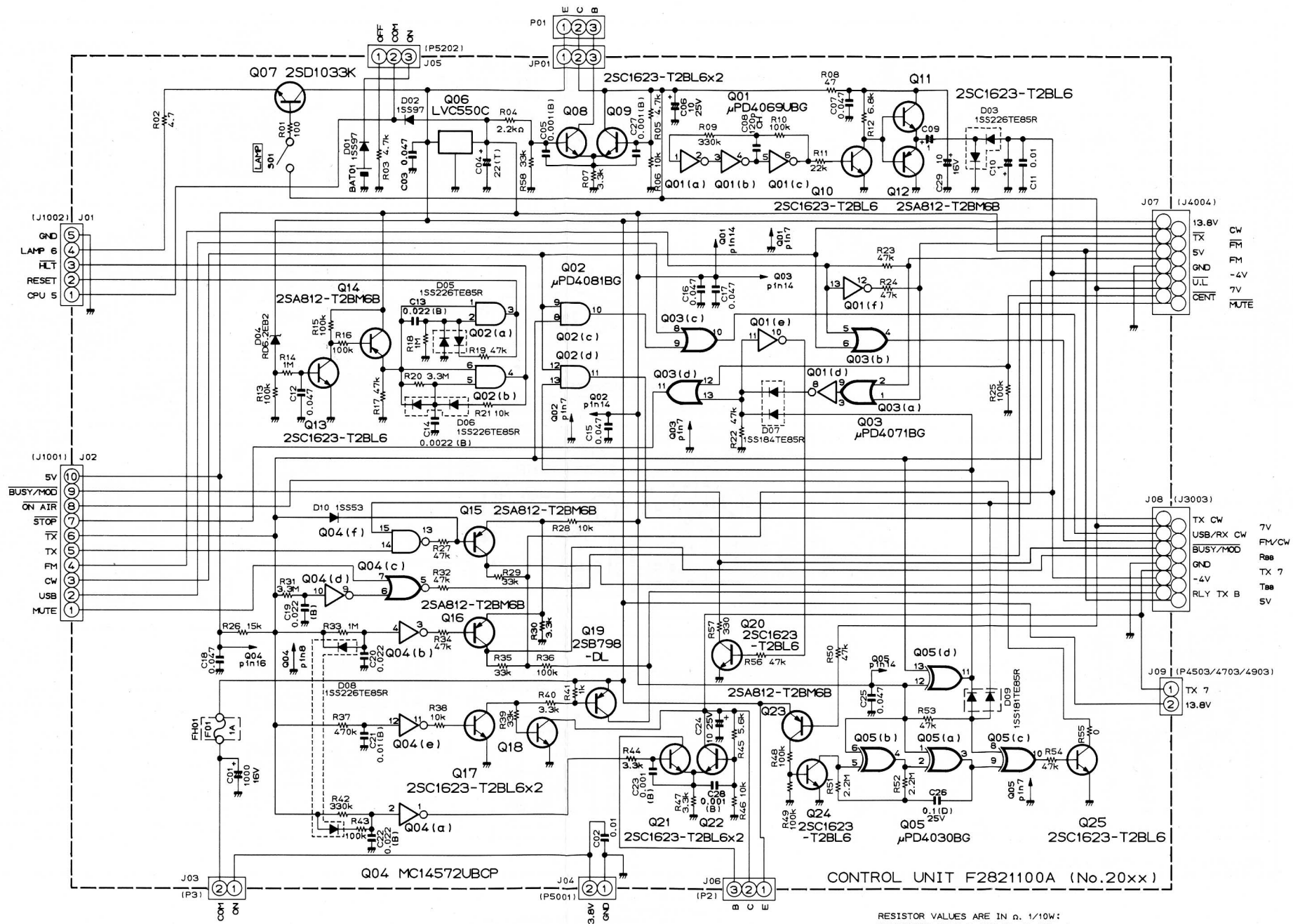


RESISTOR VALUES ARE IN Ω.

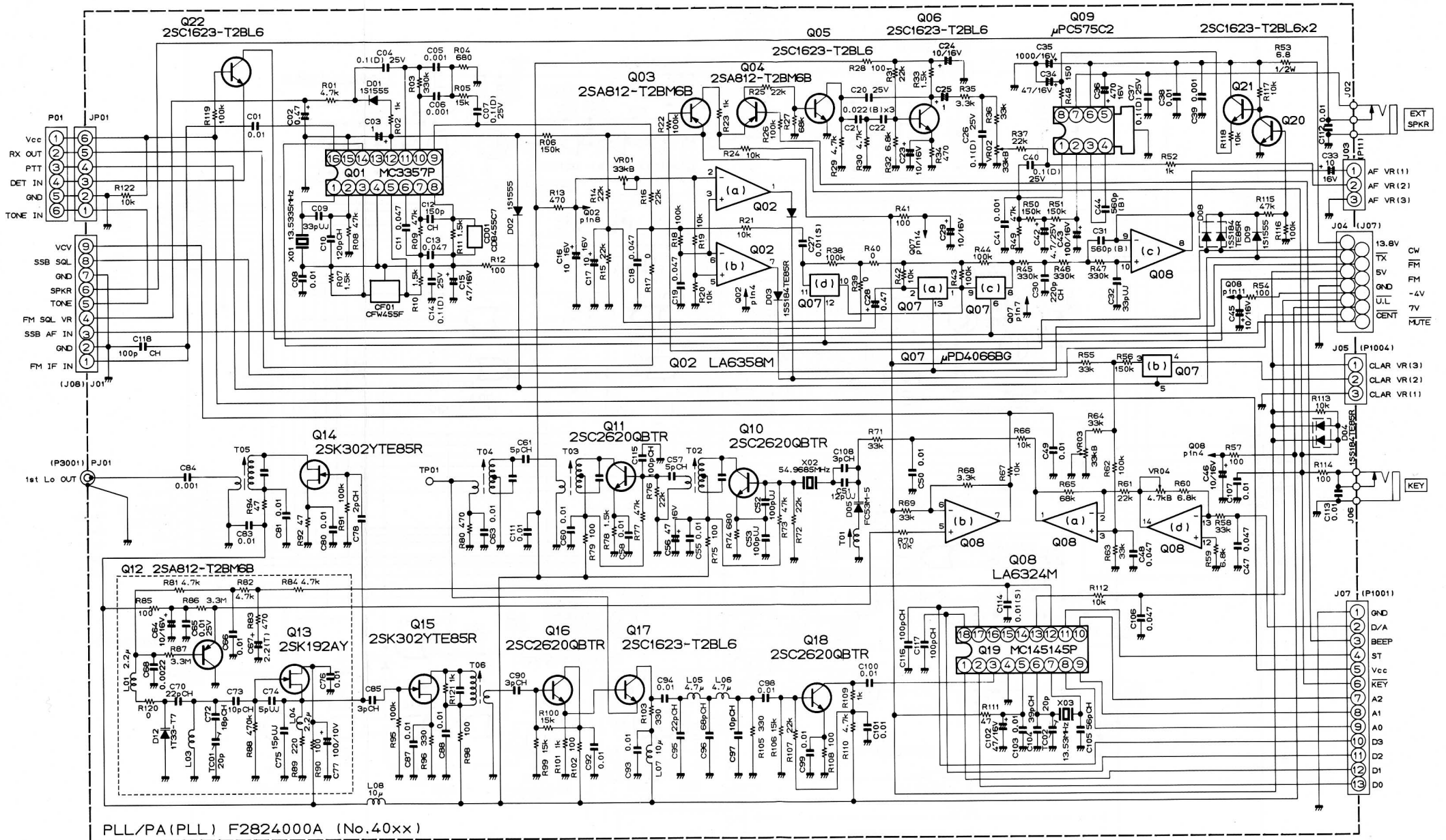
courtesy of IW2HEU

**FT-690mkII**  
CONNECTION DIAGRAM



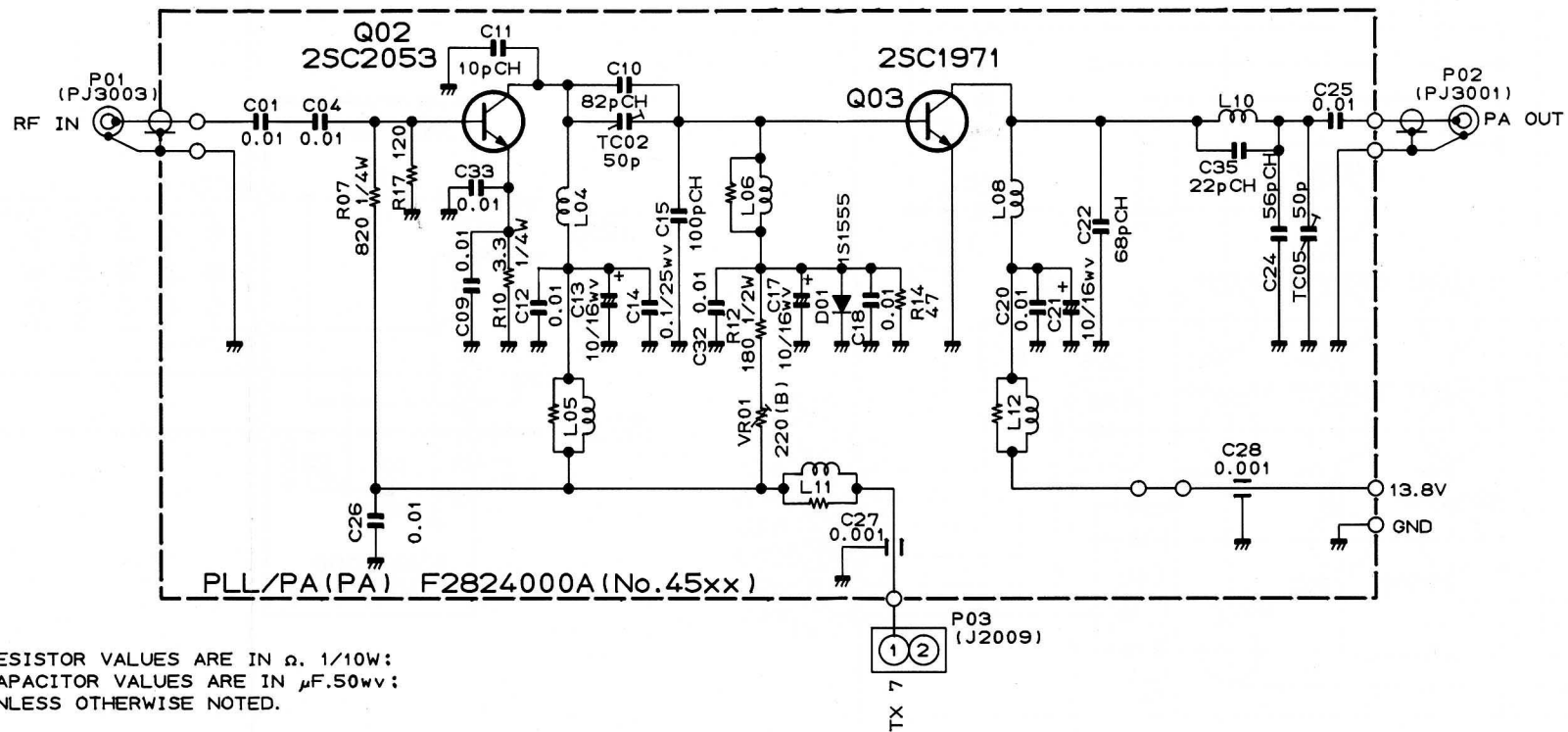


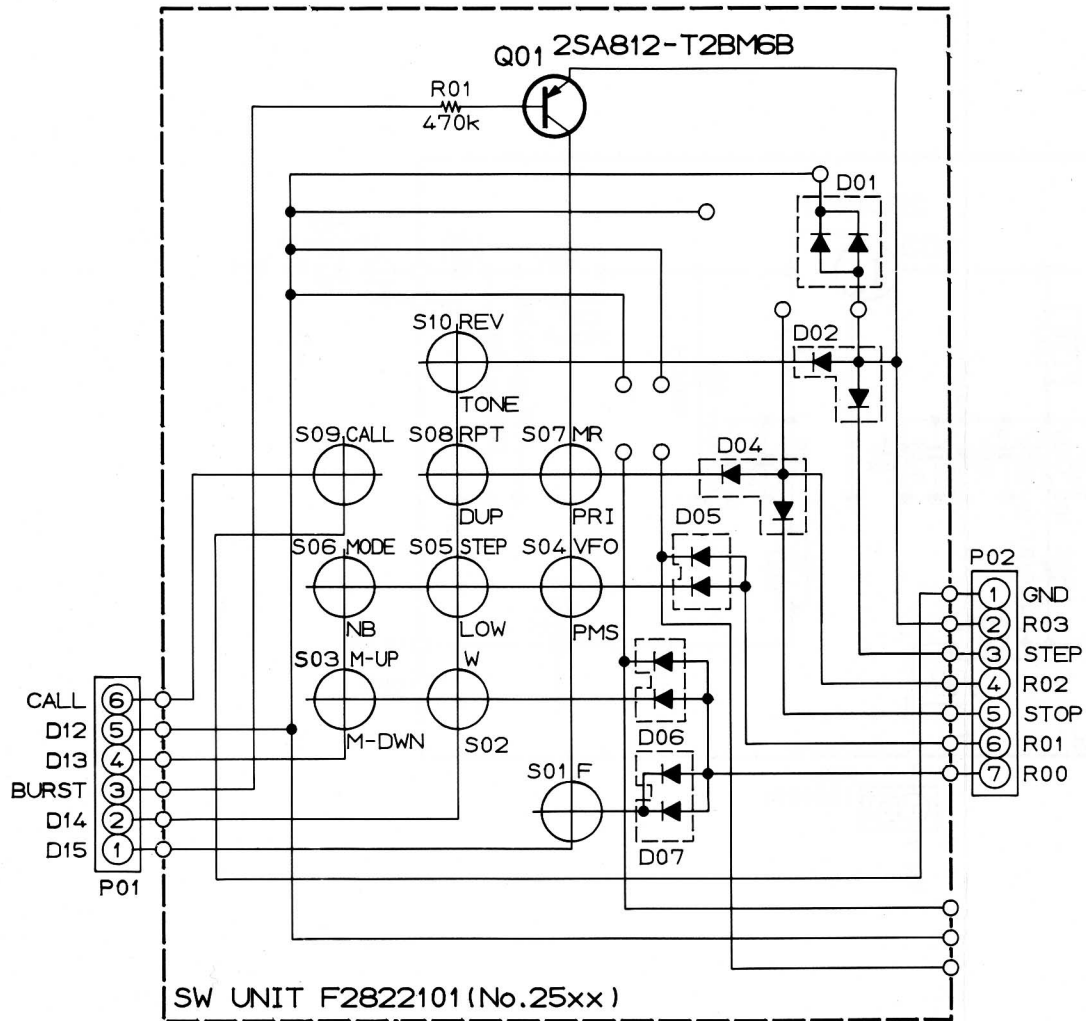
RESISTOR VALUES ARE IN Ω, 1/10W;  
 CAPACITOR VALUES ARE IN μF, 50V;  
 UNLESS OTHERWISE NOTED.  
 (T) CAPACITORS ARE TANTULUM, 10WV.



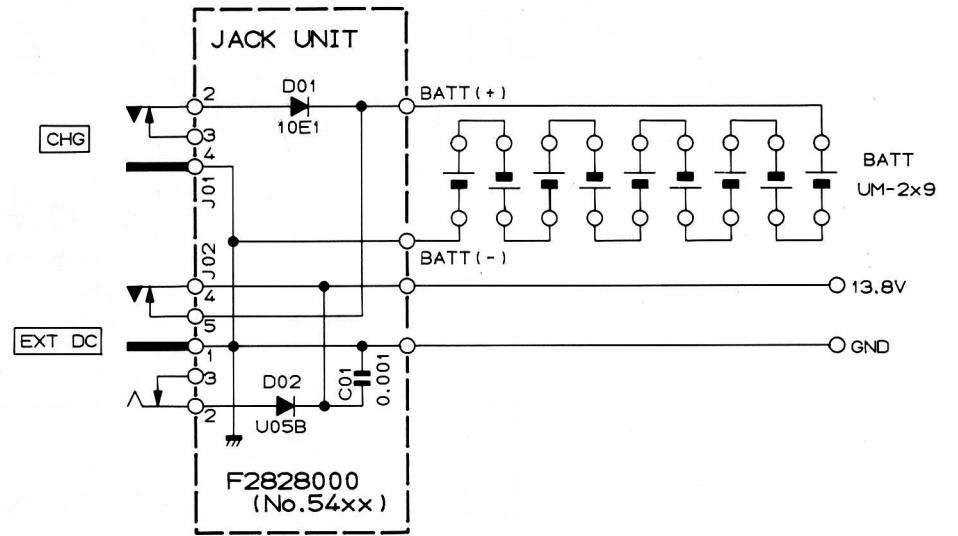
PLL/PA (PLL) F282400A (No.40xx)

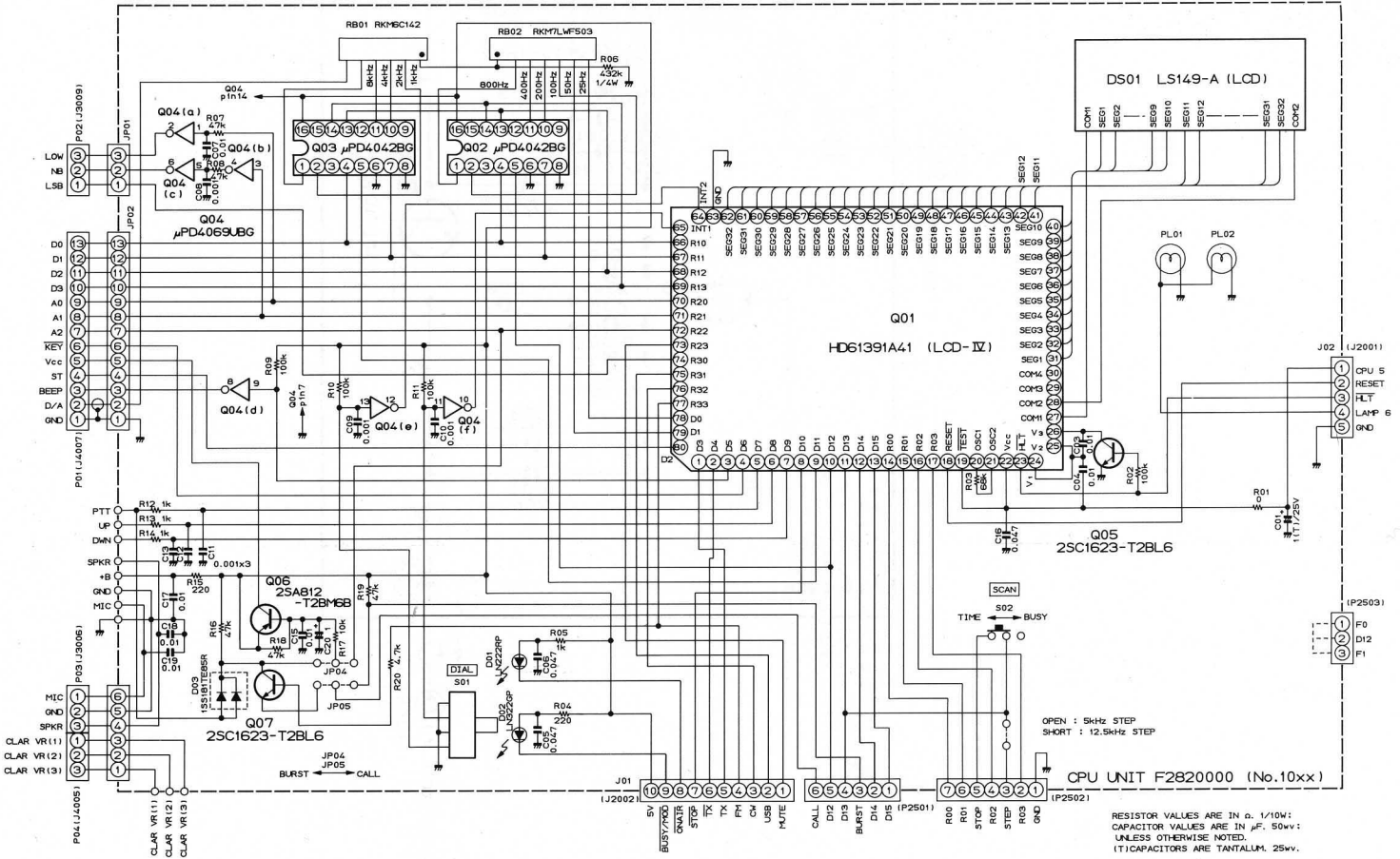
RESISTOR VALUES ARE IN Ω/10W;  
 CAPACITOR VALUES ARE IN μF, 50wv;  
 INDUCTOR VALUES ARE IN HENRIES, UNLESS OTHERWISE NOTED.  
 (T) CAPACITORS ARE TANTALUM, 16wv.  
 (S) CAPACITORS ARE SEMICONDUCTOR CERAMIC, 25wv.





RESISTOR VALUES ARE IN  $\Omega$ , 1/10w:  
 DIODES ARE TYPE 1SS181:  
 UNLESS OTHERWISE NOTED.





RESISTOR VALUES ARE IN  $\Omega$ , 1/10W:  
 CAPACITOR VALUES ARE IN  $\mu$ F, 50Vv:  
 UNLESS OTHERWISE NOTED.  
 (T) CAPACITORS ARE TANTALUM, 25Vv.

courtesy of IW2HEU