

YAESU

VHF/UFH FM TRANSCEIVER

FTM-10R/E

Technical Supplement

©2011 VERTEX STANDARD CO., LTD. EH027M70E

VERTEX STANDARD CO., LTD.
4-8-8 Nakameguro, Meguro-Ku, Tokyo 153-8644, Japan

VERTEX STANDARD U.S.A. Inc.
6125 Phyllis Drive, Cypress, California 90630, U.S.A.

YAESU UK LTD.
Unit 12, Sun Valley Business Park, Winnall Close
Winchester, Hampshire, SO23 0LB, U.K.

VERTEX STANDARD HK LTD.
Unit 1306-1308, 13F., Millennium City 2, 378 Kwun Tong Road,
Kwun Tong, Kowloon, Hong Kong

VERTEX STANDARD (AUSTRALIA) PTY., LTD.
Tally Ho Business Park, 10 Wesley Court, East Burwood, VIC, 3151

Introduction

This manual provides technical information necessary for servicing the FTM-10R/E VHF/UHF FM Transceiver.

Servicing this equipment requires expertise in handling surface-mount chip components. Attempts by non-qualified persons to service this equipment may result in permanent damage not covered by the warranty, and may be illegal in some countries.

Two PCB layout diagrams are provided for each double-sided circuit board in the Transceiver. Each side of is referred to by the type of the majority of components installed on that side (“leaded” or “chip-only”). In most cases one side has only chip components, and the other has either a mixture of both chip and leaded components (trimmers, coils, electrolytic capacitors, ICs, etc.), or leaded components only.

While we believe the technical information in this manual to be correct, VERTEX STANDARD assumes no liability for damage that may occur as a result of typographical or other errors that may be present. Your cooperation in pointing out any inconsistencies in the technical information would be appreciated.



Important Note

The transceiver was assembled using Pb (lead) free solder, based on the RoHS specification. Only lead-free solder (Alloy Composition: Sn-3.0Ag-0.5Cu) should be used for repairs performed on this apparatus. The solder stated above utilizes the alloy composition required for compliance with the lead-free specification, and any solder with the above alloy composition may be used.

Contents

| | |
|--|----|
| Specifications | 2 |
| Exploded View & Miscellaneous Parts | 3 |
| Block Diagram | 5 |
| Circuit Description | 7 |
| Alignment | 9 |
| Board Unit (Schematics, Layouts & Parts) | |
| MAIN-Unit | 17 |
| PANEL-Unit | 51 |
| CH-SW-Unit | 61 |
| CONNECTOR-Unit | 62 |

Specifications

General

| | | |
|--|---|--------------|
| Frequency Range: | RX: 0.5 - 1.8 MHz (AM BC) 76 - 108 MHz (FM BC) 108-137 MHz (Air Band) 137-174 MHz (144 MHz HAM) 174-222 MHz (GR1 VHF TV) 300-420 MHz (GR2) 420-470 MHz (430 MHz HAM) 470-800 MHz (GR1 UHF TV) 800-999 MHz (GR2 USA Cellular Blocked) | |
| | TX: 144.000 - 148.000 MHz or 144.000 - 146.000 MHz, 430.000 - 450.000 MHz or 430.000 - 440.000 MHz | |
| Channel Steps: | 5/6.25/8.33/(9)/10/12.5/15/20/25/50/100/200 kHz | (9): AM Only |
| Emission Type: | F3E, F2D | |
| Antenna Impedance: | 50 Ohms | |
| Frequency Stability: | ±5 ppm @ 14 °F ~ +140 °F (-10 °C ~ +60 °C) | |
| Operating Temperature Range: | -4 °F ~ +140 °F (-20 °C ~ +60 °C) | |
| Supply Voltage: | Nominal: 13.8 V DC, Negative Ground Operating: 11.7 ~ 15.8 V, Negative Ground | |
| Current Consumption: (Approx.) | RX: 0.5 A (Receive) 8.3 A / 6 A / 2A (TX, 144 MHz 50W / 20 W / 5 W) 8.5 A / 6 A / 2A (TX, 430 MHz 40W / 20 W / 5 W) | |
| Case Size (W x H x D): | 4.4" x 1.5" x 7" (112 x 37.6 x 178 mm) (w/o knobs & connectors) | |
| Weight (Approx.): | 2.9 lb. (1.3 kg) | |

Transmitter

| | |
|------------------------------|--|
| RF Power Output: | 50/20/5 W (144 MHz) 40/20/5 W (430 MHz) |
| Modulation Type: | Variable Reactance |
| Maximum Deviation: | ±5 kHz |
| Spurious Radiation: | At least -60 dB below |
| Microphone Impedance: | 2 k-Ohms |

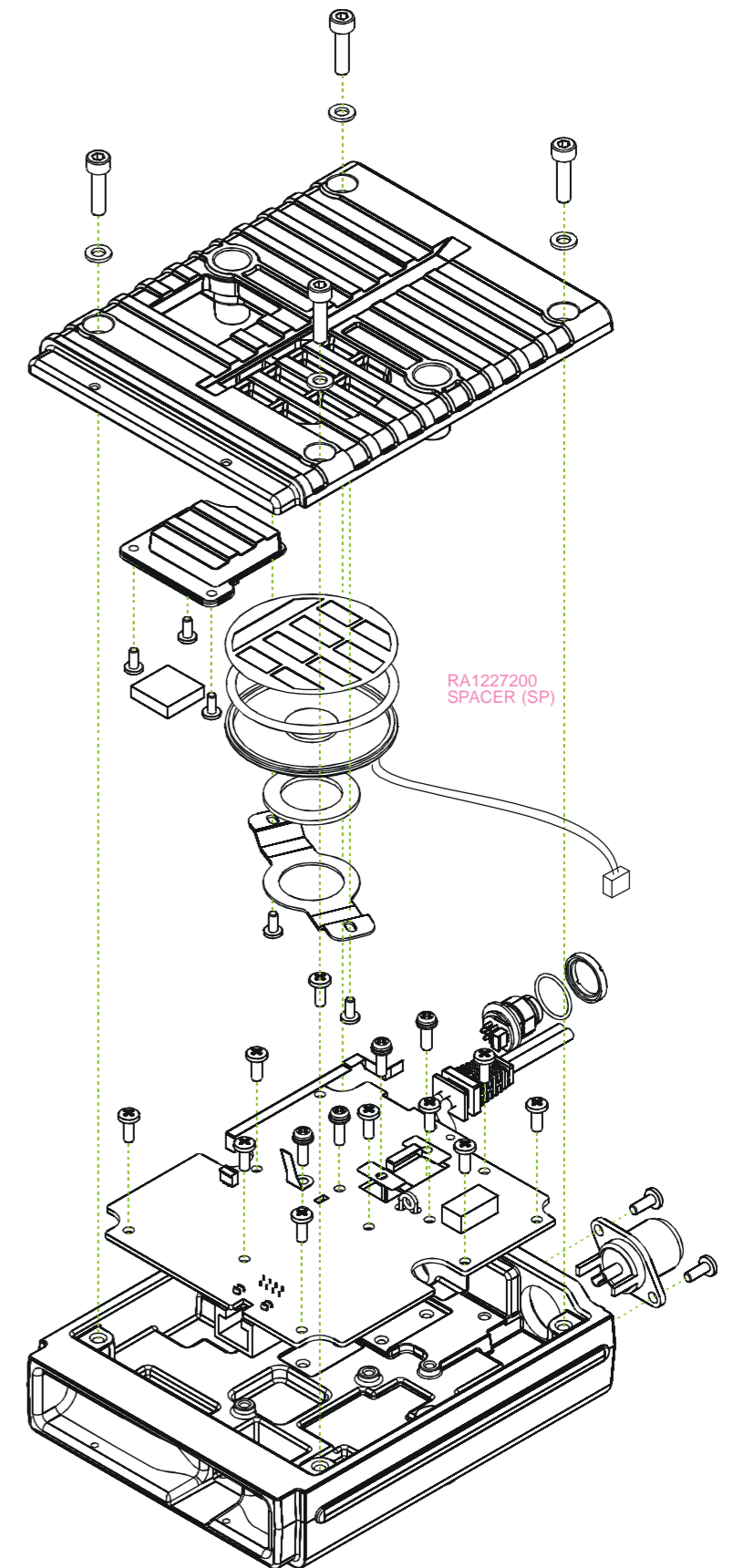
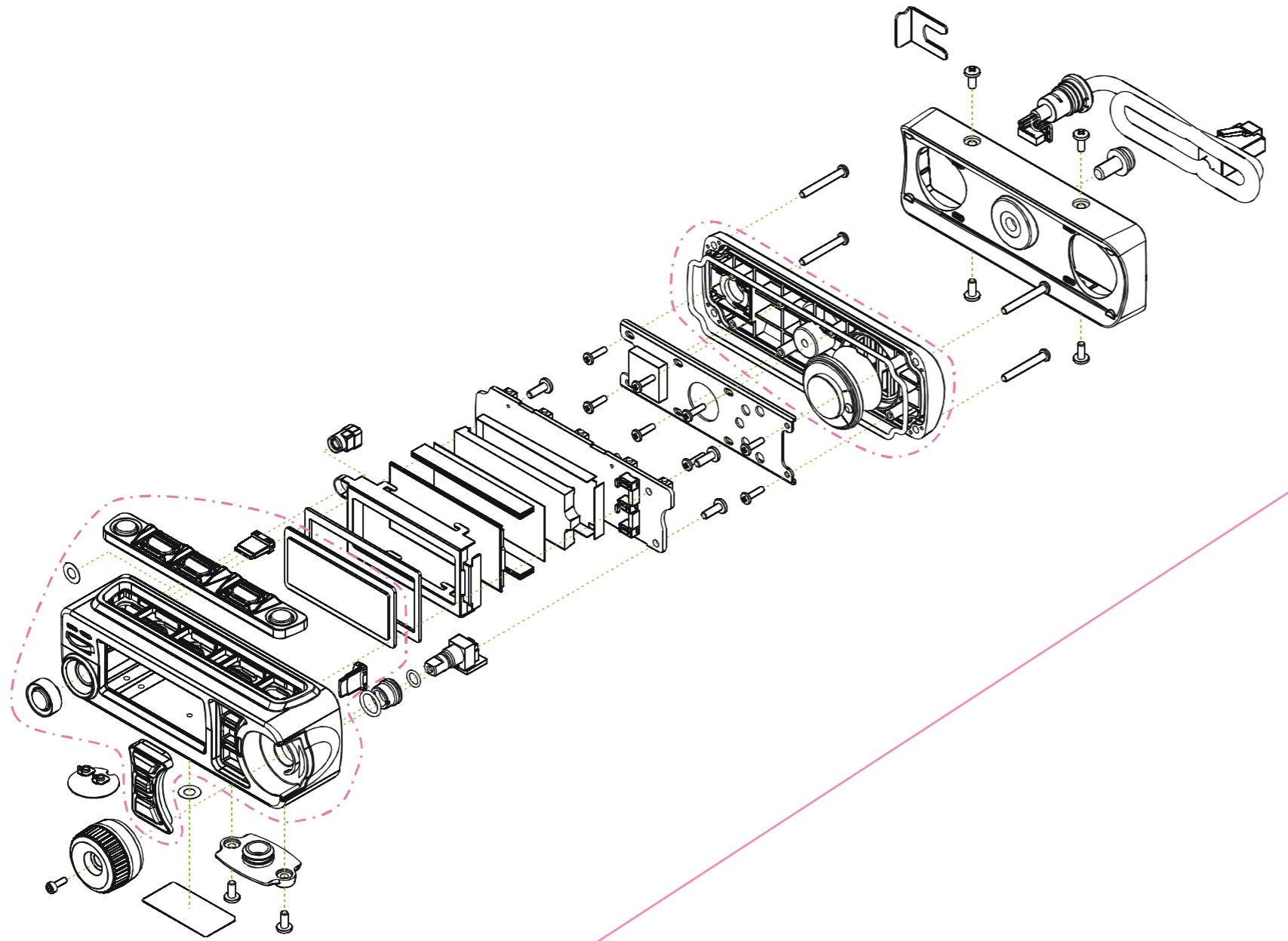
Receiver

| | |
|----------------------------------|--|
| Circuit Type: | FM / AM: Double-Conversion Super heterodyne WFM: Triple-Conversion Super heterodyne AM / FM Radio: Single-Conversion Super heterodyne |
| Intermediate Frequencies: | FM / AM: 1st: 47.25 MHz, 2nd: 450 kHz FM Radio: 130 kHz, AM Radio: 50 kHz |
| Sensitivity: | 5 µV TYP for 10 dB SN (0.5-1.7 MHz, AM) 2 µV TYP for 12 dB SINAD (76-108 MHz, WFM) 0.8 µV TYP for 10 dB SN (108-137 MHz, AM) 0.2 µV for 12 dB SINAD (137-140 MHz, FM) 0.2 µV for 12 dB SINAD (140-150 MHz, FM) 0.25 µV for 12 dB SINAD (150-174 MHz, FM) 1 µV TYP for 12 dB SINAD (174-222 MHz, WFM) 0.8 µV TYP for 10 dB SN (300-336 MHz, AM) 0.25 µV TYP for 12 dB SINAD (336-420 MHz, FM) 0.2 µV for 12 dB SINAD (420-470 MHz, FM) 5 µV TYP for 12 dB SINAD (470-540 MHz, WFM) 5 µV TYP for 12 dB SINAD (540-800 MHz, WFM) 0.4 µV TYP for 12 dB SINAD (800-899.99 MHz, FM) 0.8 µV TYP for 12 dB SINAD (900 - 999.99 MHz, FM) |

USA Version Cellular Blocked

| | |
|-----------------------------|--|
| Squelch Sensitivity: | Better than 0.16 µV (144 / 430 MHz Band) |
| Selectivity : | NFM, AM 12 kHz / 30 kHz (-6 dB / -60 dB) |
| AF Output: | 8 W @ 4 Ohm for 10 % THD (@ 13.8 V) BTL EXP SP 4 W @ 4 Ohm for 10 % THD (@ 13.8 V) Normal EXP SP/CH |
| AF Output Impedance: | 4-16 Ohms |

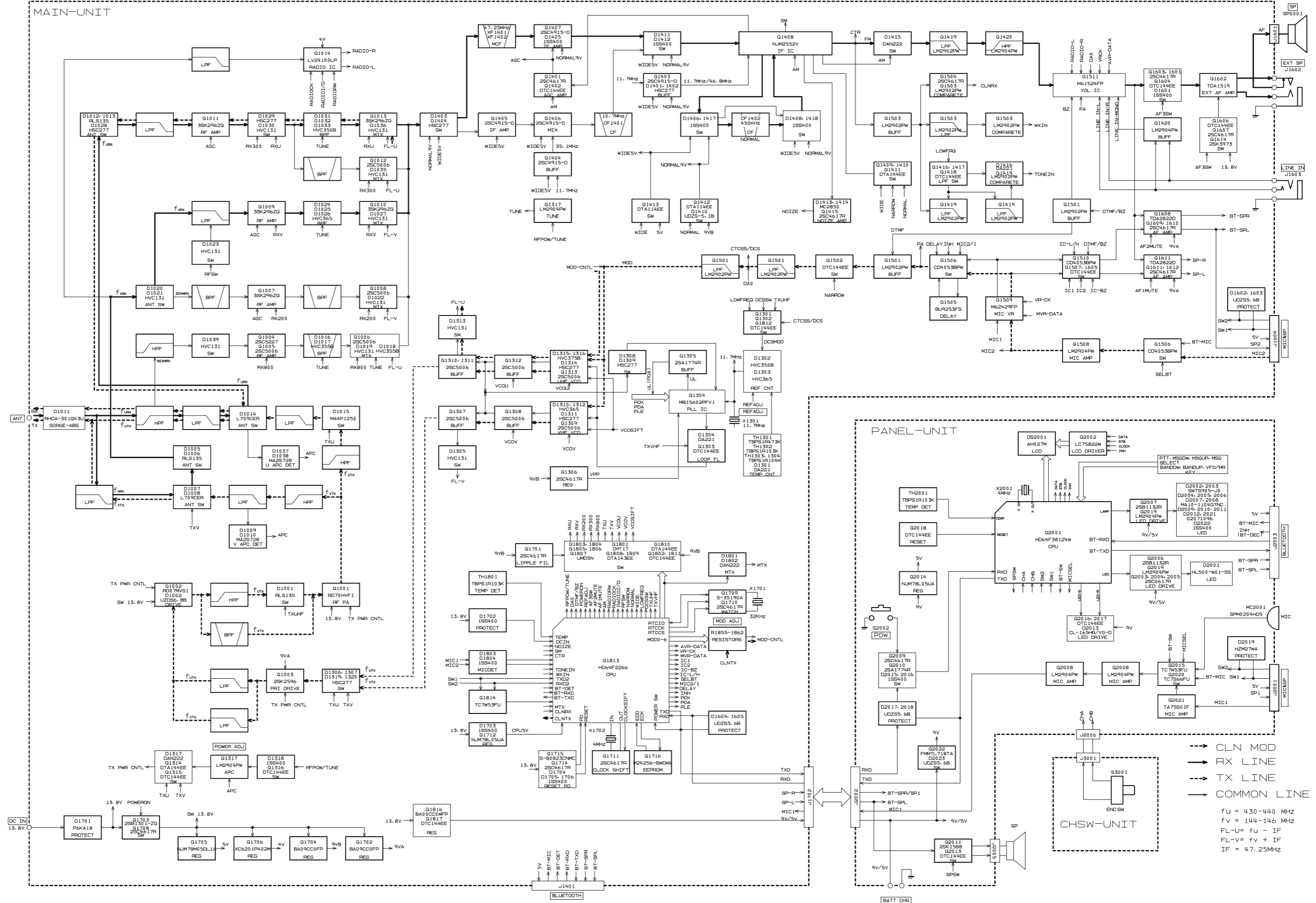
Specifications are subject to change without notice, and are guaranteed within the 144 and 430 MHz amateur bands only. Frequency ranges will vary according to transceiver version; check with your dealer.



Exploded View & Miscellaneous Parts

Note

Block Diagram



Block Diagram

Note:

RECEPTION

VHF Reception

The incoming VHF signal is passed through the low-pass filter network, antenna switching diodes and low-pass filter network to the RF amplifier Q1009 (**3SK296ZQ**). The amplified RF signal is passed through the band-pass filter again by varactor-tuned resonators L1024, L1025, and D1026 (**HVC365**) then applied to the 1st mixer Q1010 (**3SK296ZQ**) along with the first local oscillator signal from the PLL circuit.

The first local oscillator signal, between 191.25 MHz and 195.25 MHz, is generated by the VHF VCO, which consists of Q1309 (**2SC5006**) and varactor diodes D1310 (**HVC365**), D1311 (**HSC277TRF**), and D1312 (**HVC365**), according to the receiving frequency.

UHF Reception

The incoming UHF signal is passed through the low-pass filter network, antenna switching diodes and Low-pass filter network to the RF amplifier Q1011 (**3SK296ZQ**). The amplified RF signal is passed through the band-pass filter varactor-tuned resonators D1031 and D1032, and D1033 (all **HVC350B**) then applied to the 1st mixer Q1013 (**3SK296ZQ**) along with the first local signal from the PLL circuit.

The first local oscillator signal is generated between 382.75 MHz and 402.75 MHz by the UHF VCO, which consists of Q1313 (**3SK296ZQ**) and varactor diodes D1314 (**HSC277TRF**), D1315 and D1316 (both **HVC375B**), according to the receiving frequency.

IF and Audio Circuits

The 47.25 MHz first IF signal is applied to the monolithic crystal filters XF1401 and XF1402 which strip away unwanted mixer products, and the IF signal is applied to the first IF amplifier Q1407 (**2SC4915**). The amplified first IF signal is then delivered to the FM IF subsystem IC Q1408 (**NJM2552V-TE1**), which contains the second mixer, limiter amplifier, noise amplifier, and FM detector.

The second local oscillator signal is generated by the 46.8 MHz crystal X1301 and Q1403 (**2SC4915**), produces the 450 KHz second IF signal when mixed with the first IF signal within Q1408 (**NJM2552V-TE1**) it produces the 450 KHz second IF signal..

The 450 KHz second IF signal is applied to the ceramic filter CF1402, which strips away unwanted mixer products. The limiter amplifier within Q1408 (**NJM2552V-TE1**) removes the amplitude variations of the 450 KHz IF signal. Speech detection is within Q1408 and the ceramic discriminator CD1401.

The detected audio passes through the de-emphasis network, a low-pass filter consisting of Q1419 (**LM2902PWR**) and associated circuitry, and then a high-pass filter consisting of Q1420 (**LM2904PWR**) and associated circuitry. The filtered audio signal is passed through the audio volume control IC Q1511 (**M61524FP-DF0G**) that adjusts the audio sensitivity to compensate for audio level variations. When the internal speaker is selected, the audio signal is amplified by Q1602 (**TDA1519CTH**) then applied to the internal loudspeaker. When the external speaker is selected, the audio signal is amplified by Q1602 (**TDA1519CTH**), and then passed through the EXT SP jack to the external loudspeaker.

Transmit Signal Path

The speech signal from the microphone passes through the MIC jack J1604 to AF amplifier Q1508 (**LM2904PWR**) on the MAIN unit. The amplified speech signal amplitude is limited by Q1509 (**M62429FP 780C**). The speech signal passes through buffer amplifier Q1501 (**LM2902PWR**) and the low-pass filter network section of Q1501 (**LM2902PWR**).

VHF Transmit Signal Path

The adjusted speech signal from Q1501 (**LM2902PWR**) frequency modulates the VHF transmitting VCO, made up of Q1309 (**2SC5006**) and D1312 (**HVC350B**).

The modulated transmit signal passes through buffer amplifier Q1308, and Q1307 (both **HSC277TRF**).

The filtered transmit signal is applied to the Pre-Drive amplifier Q1003 (**2SK2596BXTL**) and Drive amplifier Q1002 (**RD07MVS1**), and then is finally amplified by Power amplifier Q1001 (**RD70HVF1**) up to 50 Watts. This three stage power amplifier's gain is controlled by the APC circuit.

The 50 Watt RF signal passes through the high-pass filter and low-pass filter networks, the antenna switch D1007 and D1008 (both **L709CER**), and another low-pass filter network, The signal is then delivered to the ANT jack.

UHF Transmit Signal Path

The adjusted speech signal from Q1501 (**LM2902PWR**) frequency modulates the UHF transmitting VFO, made up of Q1313 (**2SC5006-T1**) and D1316 (**HVC375B**).

The modulated transmit signal passes through buffer amplifier Q1312, Q1310 and Q1311 (all **2SC5006**).

The filtered transmit signal is applied to the Pre-Drive amplifier Q1003 (**2SK2596BXTL**) and Drive amplifier Q1002 (**RD07MVS1**), and then finally is amplified by Power amplifier Q1001 (**RD70HVF1**) up to 40 Watts. This three

Circuit Description

stage power amplifier's gain is controlled by the APC circuit.

The 40-Watts RF signal passes through the high-pass filter and low-pass filter networks, antenna switch D1014 (**L709CER**), another low-pass filter network, and then is delivered to the ANT jack.

Transmit APC Circuit

A portion of the Power amplifier output is rectified by D1009 and D1010 (UHF: D1037 and D1038) (both **MA2S72800L**), then delivered to APC Q1317 (**LM2904PWR**), as a DC voltage which is proportional to the output level of the power amplifier.

The APC Q1317 (**LM2904PWR**) is the rectified DC voltage from the power amplifier and the reference voltage from the main CPU Q1813 (**HD64F2266TF13**), to produce a control voltage, which regulates the supply voltage to the Pre-Drive amplifier Q1003 (**2SK2596BXTL**), Drive amplifier Q1002 (**RD07MVS1-T12**) and Power amplifier Q1001 (**RD70HVF1**), so as to maintain stable output power under varying antenna loading condition.

PLL

A portion of the output from the VCO Q1309 (**2SC5006-T1**), or Q1313 (**2SC5006-T1**) passes through the programmable divider section of the PLL IC Q1304 (**MB15A02PFV1-G-BND-EFE1**), which divides it according to the frequency data that is input from the main CPU Q1813 (**HD64F2266TF13**). It is then sent to the phase comparator.

The 11.7 MHz frequency of the reference oscillator circuit made up of X1301 is divided by the reference frequency divider section of Q1304 (**MB15A02PFV1-G-BND-EFE1**) into 4250 or 3400 parts to become the 5 kHz or 6.25 kHz comparative reference frequencies, which are utilized by the phase comparator.

The phase comparator section of Q1304 (**MB15A02PFV1-G-BND-EFE1**) compares the phase between the frequency-divided oscillation frequency of the VCO circuit, and the comparative frequency. The output is a pulse corresponding to the phase difference. This pulse is integrated by the charge pump and loop filter of Q1304 (**MB15A02PFV1-G-BND-EFE1**) into a control voltage (VCV) to control the oscillation frequency of the VCOs.

The **FTM-10R/E** has been carefully aligned at the factory for the specified performance across the 144 MHz and 430 MHz amateur bands. Realignment should therefore not be necessary except in the event of a component failure. All component replacement and service should be performed only by an authorized Yaesu representative, or the warranty policy may be void.

The following procedures cover adjustments that are not normally required once the transceiver has left the factory. However, if damage occurs and some parts are subsequently replaced, realignment may be required. If a sudden problem occurs during normal operation, it is likely due to component failure. Realignment should not be done until after the faulty component has been replaced.

We recommend that servicing be performed only by authorized Yaesu service technicians, who are experienced with the circuitry and fully equipped for repair and alignment. Therefore, if a fault is suspected, contact the dealer from whom the transceiver was purchased for instructions regarding repair. Authorized Yaesu service technicians realign all circuits and make complete performance checks to ensure compliance with factory specifications after replacing any faulty components. Those who do undertake any of the following alignments are cautioned to proceed at their own risk. Problems caused by unauthorized attempts at realignment are not covered by the warranty policy. Yaesu must reserve the right to change circuits and alignment procedures in the interest of improved performance, without notifying owners. Under no circumstances should any alignment be attempted unless the normal function and operation of the transceiver is clearly understood, the cause of the malfunction has been clearly pinpointed, any faulty components replaced, and the need for realignment is determined to be absolutely necessary.

Required Test Equipment

The following test equipment (and familiarity with its use) is necessary for complete realignment. Correction of problems caused by misalignment resulting from use of improper test equipment is not covered under the warranty policy. While most steps do not require all of the equipment listed, the interactions of some adjustments may require that additional adjustments be performed. Do not attempt to perform only a single step unless it is clearly isolated electrically from all other steps. Have all test equipment ready before beginning, and follow all of the steps in a section in the order presented.

- RF Signal Generator with calibrated output level at 500 MHz
- Deviation Meter (linear detector)
- AF Millivoltmeter
- SINAD Meter
- Inline Wattmeter with 5% accuracy at 500 MHz
- Regulated DC Power Supply: adjustable from 10 to 17 VDC, 15A
- 50-ohm non-reactive Dummy Load: 100 W at 500 MHz
- Frequency Counter: >0.1 ppm accuracy at 500 MHz
- AF Signal Generator
- DC Voltmeter: high impedance
- VHF/UHF Sampling Coupler
- AF Dummy Load: 4 W, 5 W
- Oscilloscope
- Spectrum Analyzer

Alignment Preparation & Precautions

Alignment Preparation & Precautions

A dummy load and inline wattmeter must be connected to the main antenna jack in all procedures that call for transmission, except where specified otherwise. Correct alignment is not possible with an antenna. After completing one step, read the following step to determine whether the same test equipment will be required. If not, remove the test equipment (except dummy load and wattmeter, if connected) before proceeding.

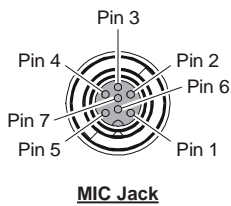
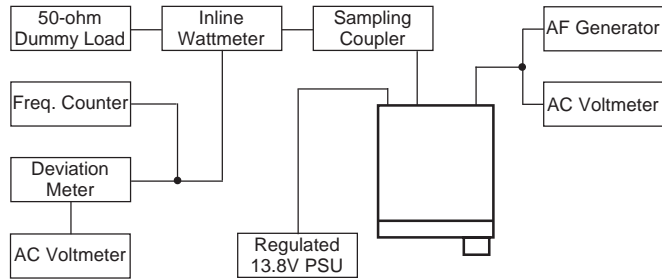
Correct alignment requires that the ambient temperature of the transceiver be the same as that of the test equipment, and that the temperature be held constant between 20° and 30° C (68° ~ 86° F). When the transceiver is brought into the shop from hot or cold air it should be allowed some time for thermal equalization with the environment before alignment. If possible, alignments should be made with oscillator shields and circuit boards firmly affixed in place. The test equipment must be thoroughly warmed up before beginning.

Note: Signal levels in dB referred to in this procedure are based on 0 dBμ = 0.5 μV(closed circuit).

Alignment

PLL & Transmitter

Set up the test equipment as shown for transmitter alignment. Maintain the supply voltage at 13.8V DC for all steps.



| Pin No. | WIRE COLOR | MIC JACK |
|---------|------------|-------------|
| 1 | Orange | MIC 2 |
| 2 | Gray | 5 V |
| 3 | Brown | SP OUT L-CH |
| 4 | Green | SW1 |
| 5 | Blue | SW2 |
| 6 | Red | GND |
| 7 | Black | SP OUT R-CH |

Internal System Alignment Routine

This simplifies many complex discrete component adjustments by providing digitally controlled settings via the front panel's buttons and LCD indications.

1. To enter the Alignment Mode, turn the transceiver off. Press and hold in the [VOL/SEL] and [▶] keys while turning the radio on. Once the radio is on, release the keys.
2. Press the keys on the top of the front panel in the following sequence.

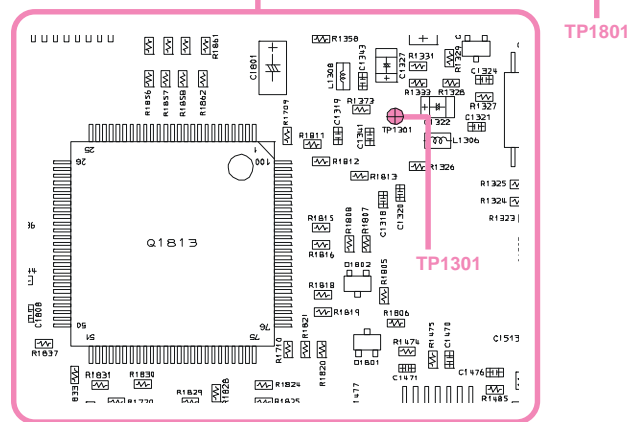
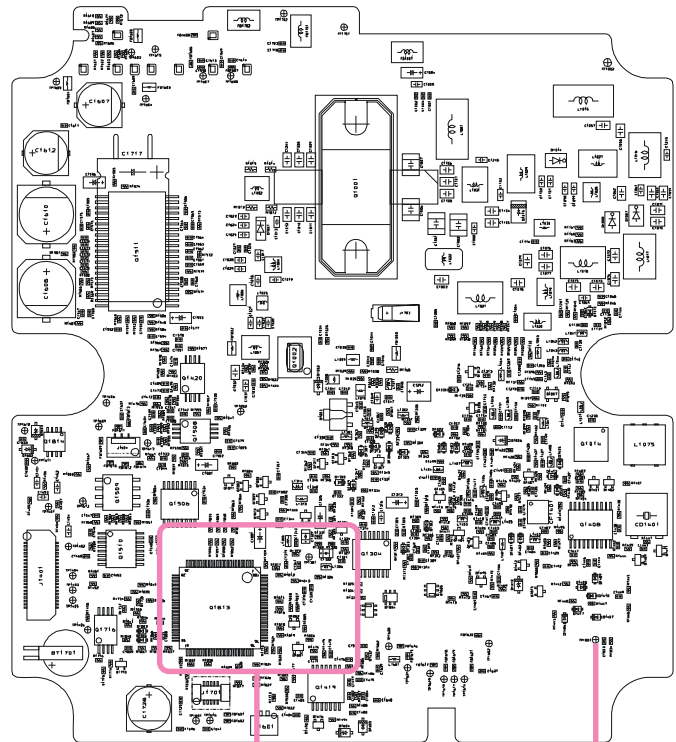
[▼] ⇨ [▼] ⇨ [▲] ⇨ [▲] ⇨ [F] ⇨ [F]

3. Press and hold the [VOL/SEL] key for one second to enter the Menu mode.
4. Rotate the **DIAL** knob to select Menu Item "F5 AF-VFO".
5. Press the [▶] key, then rotate the **DIAL** knob to select "TOGGLE".
6. Press the [▶] key, then rotate the **DIAL** knob to select Menu Item "F9 CLOCK".
7. Press the [▶] key, then rotate the **DIAL** knob to select "ON".
8. Press the [VOL/SEL] key to save the new setting and exit the Menu mode.
9. Press the [VOL/SEL] key repeatedly to display the Alignment Menu.
10. The transceiver is now in the "Alignment mode".

VCO VCV Adjustment

Connect the DC voltmeter to **TP1301**. Referring to the table below, tune the transceiver to each frequency listed. Confirm that the correct voltage is present, or adjust the listed setting for the required voltage.

| Tune to: | TX/RX | for |
|------------|-------|---------------|
| 440.05 MHz | RX | 2.6 ± 0.25 V |
| 440.05 MHz | TX | 1.9 ± 0.25 V |
| 144.05 MHz | RX | 2.45 ± 0.25 V |
| 144.05 MHz | TX | 1.65 ± 0.25 V |



PLL Reference Frequency

1. Press the [VOL/SEL] key repeatedly to display the frequency.
2. Set the transceiver frequency to 440.050 MHz.
3. Press and hold the [VOL/SEL] key for one second to enter the Menu mode.
4. Rotate the **DIAL** knob to select Menu Item "**F44 TX POWER**".
5. Press the [▶] key, then rotate the **DIAL** knob to select "LOW".
6. Press the [VOL/SEL] key to save the new setting and exit the Menu mode.
7. Press the [VOL/SEL] key repeatedly to display the Alignment Menu.
8. Press the [▶] key repeatedly to select Alignment Menu Item "**A-0 REF. xxx**".
9. Key the transmitter and adjust the **DIAL** knob, if necessary, so the counter frequency is within 100 Hz of 435.050 MHz.
10. Press the [VOL/SEL] key to save the new setting and exit the Alignment Menu mode.

RF Front-end Tuning

1. Connect the DC voltmeter to TP1801 on the MAIN unit, then inject a 439.050 MHz signal at a level of +10dB μ (with 1 kHz modulation \pm 3.5 kHz deviation) from the RF signal generator.
2. Press the [VOL/SEL] key repeatedly to display the frequency.
3. Set the transceiver frequency to 439.050 MHz.
4. Press the [VOL/SEL] key repeatedly to display the Alignment Menu.
5. Press the [▶] key repeatedly to select Alignment Menu Item "**A-1 TUN. xxx**".
6. Adjust the **DIAL** knob so that the DC voltmeter reading is lower than the maximum deflection.
7. Press the [VOL/SEL] key repeatedly to display the frequency.
8. Set the transceiver frequency to 145.050 MHz.
9. Press the [VOL/SEL] key repeatedly to display the Alignment Menu.
10. Press the [▶] key repeatedly to select Alignment Menu Item "**A-1 TUN. xxx**".
11. Adjust the **DIAL** knob so that the DC voltmeter, reading is lower than the maximum deflection.
12. Press the [VOL/SEL] key to save the new setting and exit the Alignment Menu mode.

VHF Transmitter Output

1. Press the [VOL/SEL] key repeatedly to display the frequency.
2. Set the transceiver frequency to 146.050 MHz.
3. Press and hold the [VOL/SEL] key for one second to enter the Menu mode.
4. Rotate the **DIAL** knob to select Menu Item "**F44 TX POWER**".
5. Press the [▶] key, then rotate the **DIAL** knob to select "LOW".
6. Press the [VOL/SEL] key to save the new setting and exit the Menu mode.
7. Press the [VOL/SEL] key repeatedly to display the Alignment Menu.
8. Press the [▶] key repeatedly to select Alignment Menu Item "**A-2 PWR. xxx**".
9. Key the transmitter and rotate the **DIAL** knob to adjust transmit power to 5 ± 0.3 Watts on the wattmeter.
10. Press the [VOL/SEL] key to save the new setting and exit the Alignment Menu mode.
11. To change the TX Power to "MID", just repeat steps 3 through 6 above, rotating the **DIAL** knob to select "MID" in step 5 above.
12. Press the [VOL/SEL] key repeatedly to display the Alignment Menu mode.
13. Press the [VOL/SEL] key repeatedly to select Alignment Menu Item "**A-2 PWR. xxx**".
14. Key the transmitter and rotate the **DIAL** knob to adjust transmit power to 20 ± 0.5 Watts on the wattmeter.
15. Press the [VOL/SEL] key to save the new setting and exit the Alignment Menu mode.
16. To change the TX Power to "HIGH", just repeat steps 3 through 6 above, rotating the **DIAL** knob to select "HIGH" in step 5 above.
17. Press the [VOL/SEL] key repeatedly to display the Alignment Menu mode.
18. Press the [VOL/SEL] key repeatedly to select Alignment Menu Item "**A-2 PWR. xxx**".
19. Key the transmitter and rotate the **DIAL** knob to adjust transmit power to 50 ± 0.5 Watts on the wattmeter.
20. Press the [VOL/SEL] key to save the new setting and exit the Alignment Menu mode.

Alignment

UHF Transmitter Output

1. Press the [VOL/SEL] key repeatedly to display the frequency.
2. Set the transceiver frequency to 440.050 MHz.
3. Press and hold the [VOL/SEL] key for one second to enter the Menu mode.
4. Rotate the **DIAL** knob to select Menu Item "**F44 TX POWER**".
5. Press the [▶] key, then rotate the **DIAL** knob to select "LOW".
6. Press the [VOL/SEL] key to save the new setting and exit the Menu mode.
7. Press the [VOL/SEL] key repeatedly to display the Alignment Menu.
8. Press the [▶] key repeatedly to select Alignment Menu Item "**A-2 PWR. xxx**".
9. Key the transmitter and rotate the **DIAL** knob to adjust transmit power to 5 ± 0.3 Watts on the wattmeter.
10. Press the [VOL/SEL] key to save the new setting and exit the Alignment Menu mode.
11. To change the TX Power to "MID", just repeat steps 3 through 6 above, rotating the **DIAL** knob to select "MID" in step 5 above.
12. Press the [VOL/SEL] key repeatedly to display the Alignment Menu mode.
13. Press the [▶] key repeatedly to select Alignment Menu Item "**A-2 PWR. xxx**".
14. Key the transmitter and rotate the **DIAL** knob to adjust transmit power to 20 ± 0.5 Watts on the wattmeter.
15. Press the [VOL/SEL] key to save the new setting and exit the Alignment Menu mode.
16. To change the TX Power to "HIGH", just repeat steps 3 through 6 above, rotating the **DIAL** knob to select "HIGH" in step 5 above.
17. Press the [VOL/SEL] key repeatedly to display the Alignment Menu mode.
18. Press the [▶] key repeatedly to select Alignment Menu Item "**A-2 PWR. xxx**".
19. Key the transmitter and rotate the **DIAL** knob to adjust transmit power to 40 ± 0.5 Watts on the wattmeter.
20. Press the [VOL/SEL] key to save the new setting and exit the Alignment Menu mode.

VHF Transmitter Deviation

1. Inject a 1 kHz audio tone at a level of 25 mV from the AF generator into the microphone jack (pin 1).
2. Press the [VOL/SEL] key repeatedly to display the frequency.
3. Set the transceiver frequency to 146.050 MHz.
4. Press and hold the [VOL/SEL] key for one second to enter the Menu mode.
5. Rotate the **DIAL** knob to select Menu Item "**F44 TX POWER**".
6. Press the [▶] key, then rotate the **DIAL** knob to select "LOW".
7. Press the [VOL/SEL] key to save the new setting and exit the Menu mode.
8. Press the [VOL/SEL] key repeatedly to display the Alignment Menu.
9. Press the [▶] key repeatedly to select Alignment Menu Item "**A-3 DEV. xxx**".
10. Key the transmitter, and rotate the **DIAL** knob to adjust transmit deviation to $4.5 \text{ kHz} \pm 0.2 \text{ kHz}$ on the deviation meter.
11. Press the [VOL/SEL] key to save the new setting and exit the Alignment Menu mode.

UHF Transmitter Deviation

1. Inject a 1 kHz audio tone at a level of 25 mV from the AF generator into the microphone jack (pin 1).
2. Press the [VOL/SEL] key repeatedly to display the frequency.
3. Set the transceiver frequency to 440.050 MHz.
4. Press and hold the [VOL/SEL] key for one second to enter the Menu mode.
5. Rotate the **DIAL** knob to select Menu Item "**F44 TX POWER**".
6. Press the [▶] key, then rotate the **DIAL** knob to select "LOW".
7. Press the [VOL/SEL] key to save the new setting and exit the Menu mode.
8. Press the [VOL/SEL] key repeatedly to display the Alignment Menu.
9. Press the [▶] key repeatedly to select Alignment Menu Item "**A-3 DEV. xxx**".
10. Key the transmitter, and rotate the **DIAL** knob to adjust transmit deviation to $4.5 \text{ kHz} \pm 0.2 \text{ kHz}$ on the deviation meter.
11. Press the [VOL/SEL] key to save the new setting and exit the Alignment Menu mode.

DCS TX Deviation

1. Press the [VOL/SEL] key repeatedly to display the frequency.
2. Set the transceiver frequency to 146.050 MHz.
3. Press and hold the [VOL/SEL] key for one second to enter the Menu mode.
4. Rotate the **DIAL** knob to select Menu Item "F44 TX POWER".
5. Press the [▶] key, then rotate the **DIAL** knob to select "LOW".
6. Press the [▶] key, then rotate the **DIAL** knob to select Menu Item "F40 SQL TYPE".
7. Press the [▶] key, then rotate the **DIAL** knob to select "DCS".
8. Press the [VOL/SEL] key to save the new setting and exit the Menu mode.
9. Press the [VOL/SEL] key repeatedly to display the Alignment Menu.
10. Press the [▶] key repeatedly to select Alignment Menu Item "A-4 DCS. xxx".
11. Key the transmitter (with no microphone input), rotate the **DIAL** knob to adjust the transmit DCS deviation to 0.7 kHz (± 0.05 kHz) on the deviation meter.
12. Press the [VOL/SEL] key repeatedly to display the frequency.
13. Set the transceiver frequency to 440.050 MHz.
14. Press the [VOL/SEL] key repeatedly to display the Alignment Menu.
15. Press the [▶] key repeatedly to select Alignment Menu Item "A-4 DCS. xxx".
16. Key the transmitter (with no microphone input), rotate the **DIAL** knob to adjust the transmit DCS deviation to 0.7 kHz (± 0.05 kHz) on the deviation meter.
17. Press the [VOL/SEL] key to save the new setting and exit the Alignment Menu mode.

CTCSS TX Deviation

1. Press the [VOL/SEL] key repeatedly to display the frequency.
2. Set the transceiver frequency to 146.050 MHz.
3. Press and hold the [VOL/SEL] key for one second to enter the Menu mode.
4. Rotate the **DIAL** knob to select Menu Item "F44 TX POWER".
5. Press the [▶] key, then rotate the **DIAL** knob to select "LOW".
6. Press the [▶] key, then rotate the **DIAL** knob to select Menu Item "F40 SQL TYPE".
7. Press the [▶] key, then rotate the **DIAL** knob to select "TONE ENC".
8. Press the [▶] key, then rotate the **DIAL** knob to select Menu Item "F39 SQL TSQLF".
9. Press the [▶] key, then rotate the **DIAL** knob to select "100.0 HZ".
10. Press the [VOL/SEL] key to save the new setting and exit the Menu mode.
11. Press the [VOL/SEL] key repeatedly to display the Alignment Menu.
12. Press the [▶] key repeatedly to select Alignment Menu Item "A-5 CTC. xxx".
13. Key the transmitter (with no microphone input), rotate the **DIAL** knob to adjust the transmit CTCSS deviation to 0.7 kHz (± 0.05 kHz) on the deviation meter.
14. Press the [VOL/SEL] key repeatedly to display the frequency.
15. Set the transceiver frequency to 440.050 MHz.
16. Press the [VOL/SEL] key repeatedly to display the Alignment Menu.
17. Press the [▶] key repeatedly to select Alignment Menu Item "A-5 CTC. xxx".
18. Key the transmitter (with no microphone input), rotate the **DIAL** knob to adjust the transmit CTCSS deviation to 0.7 kHz (± 0.05 kHz) on the deviation meter.
19. Press the [VOL/SEL] key to save the new setting and exit the Alignment Menu mode.

Alignment

Center Meter Adjustment

1. Set the RF signal generator to 440.050 MHz. Set the generator for ± 3.5 kHz deviation of a 1 kHz modulation tone, and set the RF output level from the signal generator to 10 dB μ V.
2. Press the [VOL/SEL] key repeatedly to display the frequency.
3. Set the transceiver frequency to 440.050 MHz.
4. Press and hold the [VOL/SEL] key for one second to enter the Menu mode.
5. Rotate the **DIAL** knob to select Menu Item "**F29 RX M MODE**".
6. Press the [▶] key, and then rotate the **DIAL** knob to select "FM".
7. Press the [VOL/SEL] key to save the new setting and exit the Menu mode.
8. Press the [VOL/SEL] key repeatedly to display the Alignment Menu.
9. Press the [▶] key repeatedly to select Alignment Menu Item "**A-6 CTR UP**".
10. Press the [▲] key to save the new setting.
11. Press the [VOL/SEL] key repeatedly to display the frequency.
12. Press and hold the [VOL/SEL] key for one second to enter the Menu mode.
13. Rotate the **DIAL** knob to select Menu Item "**F29 RX M MODE**".
14. Press the [▶] key, and then rotate the **DIAL** knob to select "NARR FM".
15. Press the [VOL/SEL] key to save the new setting and exit the Menu mode.
16. Press the [VOL/SEL] key repeatedly to display the Alignment Menu.
17. Press the [▶] key repeatedly to select Alignment Menu Item "**A-6 CTR UP**".
18. Press the [▲] key to save the new setting.
19. Press the [VOL/SEL] key repeatedly to display the frequency.
20. Press and hold the [VOL/SEL] key for one second to enter the Menu mode.
21. Rotate the **DIAL** knob to select Menu Item "**F29 RX M MODE**".
22. Press the [▶] key, and then rotate the **DIAL** knob to select "WIDE FM".
23. Press the [VOL/SEL] key to save the new setting and exit the Menu mode.
24. Press the [VOL/SEL] key repeatedly to display the Alignment Menu.
25. Press the [▶] key repeatedly to select Alignment Menu Item "**A-6 CTR UP**".

26. Press the [▲] key to save the new setting.
27. Press the [VOL/SEL] key to save the new setting and exit the Alignment Menu mode.

VHF S-Meter Calibration

1. Set the RF signal generator to 146.050 MHz. Set the generator for ± 3.5 kHz deviation of a 1 kHz modulation tone, and set the RF output level from the signal generator to -5 dB μ .
2. Press the [VOL/SEL] key repeatedly to display the frequency.
3. Set the transceiver frequency to 146.050 MHz.
4. Press and hold the [VOL/SEL] key for one second to enter the Menu mode.
5. Rotate the **DIAL** knob to select Menu Item "**F29 RX M MODE**".
6. Press the [▶] key, and then rotate the **DIAL** knob to select "FM".
7. Press the [VOL/SEL] key to save the new setting and exit the Menu mode.
8. Press the [VOL/SEL] key repeatedly to display the Alignment Menu.
9. Press the [▶] key repeatedly to select Alignment Menu Item "**A-7 SM U/D**".
10. Press the [▼] key to save the new setting.
11. Increase the output level of the signal generator up to +23dB μ .
12. Press the [▲] key to save the new setting.
13. Press the [VOL/SEL] key repeatedly to display the frequency.
14. Press and hold the [VOL/SEL] key for one second to enter the Menu mode.
15. Rotate the **DIAL** knob to select Menu Item "**F29 RX M MODE**".
16. Press the [▶] key, and then rotate the **DIAL** knob to select "WIDE FM".
17. Press the [VOL/SEL] key to save the new setting and exit the Menu mode.
18. Press the [VOL/SEL] key repeatedly to display the Alignment Menu.
19. Press the [▶] key repeatedly to select Alignment Menu Item "**A-7 SM U/D**".
20. Press the [▲] key to save the new setting.
21. Increase the output level of the signal generator up to 0 dB μ .
22. Press the [▼] key to save the new setting.

UHF S-Meter Calibration

1. Set the RF signal generator to 440.050 MHz. Set the generator for ± 3.5 kHz deviation of a 1 kHz modulation tone, and set the RF output level from the signal generator to -5 dB μ .
2. Press the [VOL/SEL] key repeatedly to display the frequency.
3. Set the transceiver frequency to 440.050 MHz.
4. Press and hold the [VOL/SEL] key for one second to enter the Menu mode.
5. Rotate the **DIAL** knob to select Menu Item "**F29 RX M MODE**".
6. Press the [▶] key, then rotate the **DIAL** knob to select "FM".
7. Press the [VOL/SEL] key to save the new setting and exit the Menu mode.
8. Press the [VOL/SEL] key repeatedly to display the Alignment Menu.
9. Press the [▶] key repeatedly to select Alignment Menu Item "**A-7 SM U/D**".
10. Press the [▼] key to save the new setting.
11. Increase the output level of the signal generator up to $+23$ dB μ .
12. Press the [▲] key to save the new setting.
13. Press the [VOL/SEL] key repeatedly to display the frequency.
14. Press and hold the [VOL/SEL] key for one second to enter the Menu mode.
15. Rotate the **DIAL** knob to select Menu Item "**F29 RX M MODE**".
16. Press the [▶] key, then rotate the **DIAL** knob to select "WIDE FM".
17. Press the [VOL/SEL] key to save the new setting and exit the Menu mode.
18. Press the [VOL/SEL] key repeatedly to display the Alignment Menu.
19. Press the [▶] key repeatedly to select Alignment Menu Item "**A-7 SM U/D**".
20. Press the [▲] key to save the new setting.
21. Increase the output level of the signal generator up to 0 dB μ .
22. Press the [▼] key to save the new setting.

Squelch Adjustment

1. Set the RF signal generator to 146.050 MHz. Set the generator for ± 3.5 kHz deviation of a 1 kHz modulation tone, and set the RF output level from the signal generator to -12 dB μ V.
2. Press the [VOL/SEL] key repeatedly to display the frequency.
3. Set the transceiver frequency to 146.050 MHz.
4. Press and hold the [VOL/SEL] key for one second to enter the Menu mode.
5. Rotate the **DIAL** knob to select Menu Item "**F29 RX M MODE**".
6. Press the [▶] key, then rotate the **DIAL** knob to select "FM".
7. Press the [VOL/SEL] key to save the new setting and exit the Menu mode.
8. Press the [VOL/SEL] key repeatedly to display the Alignment Menu.
9. Press the [▶] key repeatedly to select Alignment Menu Item "**A-8 SQL U/D**".
10. Press the [▼] key to save the new setting.
11. Increase the output level of the signal generator up to -4 dB μ V.
12. Press the [▲] key to save the new setting.
13. Press the [VOL/SEL] key repeatedly to display the frequency.
14. Press and hold the [VOL/SEL] key for one second to enter the Menu mode.
15. Rotate the **DIAL** knob to select Menu Item "**F29 RX M MODE**".
16. Press the [▶] key, then rotate the **DIAL** knob to select "WIDE FM".
17. Press the [VOL/SEL] key to save the new setting and exit the Menu mode.
18. Press the [VOL/SEL] key repeatedly to display the Alignment Menu.
19. Press the [▶] key repeatedly to select Alignment Menu Item "**A-8 SQL LEVEL**".
20. Increase the output level of the signal generator up to -1 dB μ V.
21. Press the [▼] key to save the new setting.
22. Increase the output level of the signal generator up to $+7$ dB μ V.
23. Press the [▲] key to save the new setting.
24. Press the [VOL/SEL] key to save the new setting and exit the Alignment Menu mode.

Alignment

DC Voltmeter

1. Set the power supply voltage to 13.8 V.
2. Press the **[VOL/SEL]** key repeatedly to display the Alignment Menu.
3. Press the **[▶]** key repeatedly to select Alignment Menu Item "**A-9 BAT UP**".
4. Press the **[▲]** key to save the new setting.
5. Press the **[VOL/SEL]** key to save the new setting and exit the Alignment Menu mode.

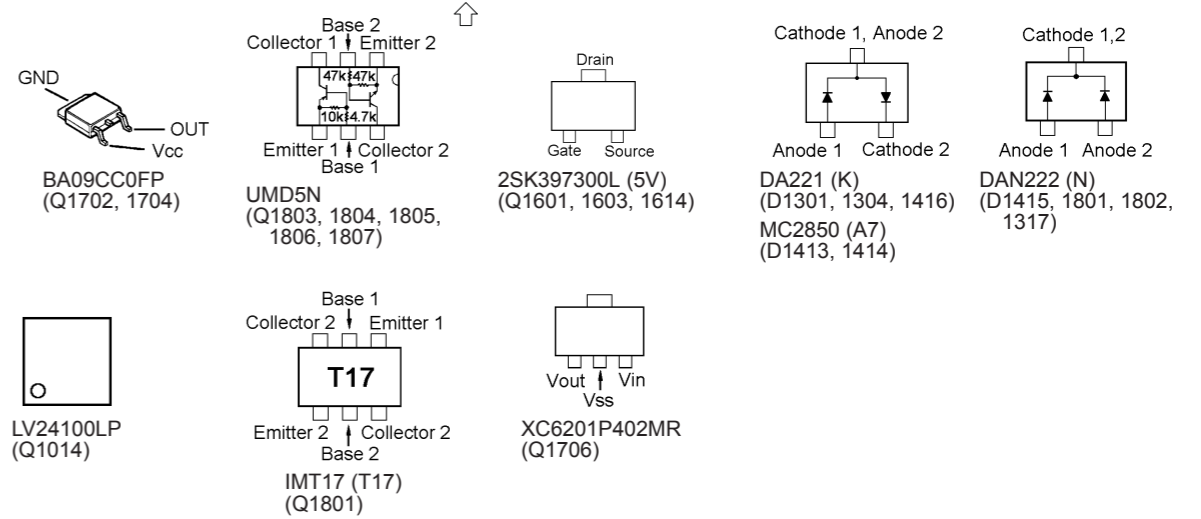
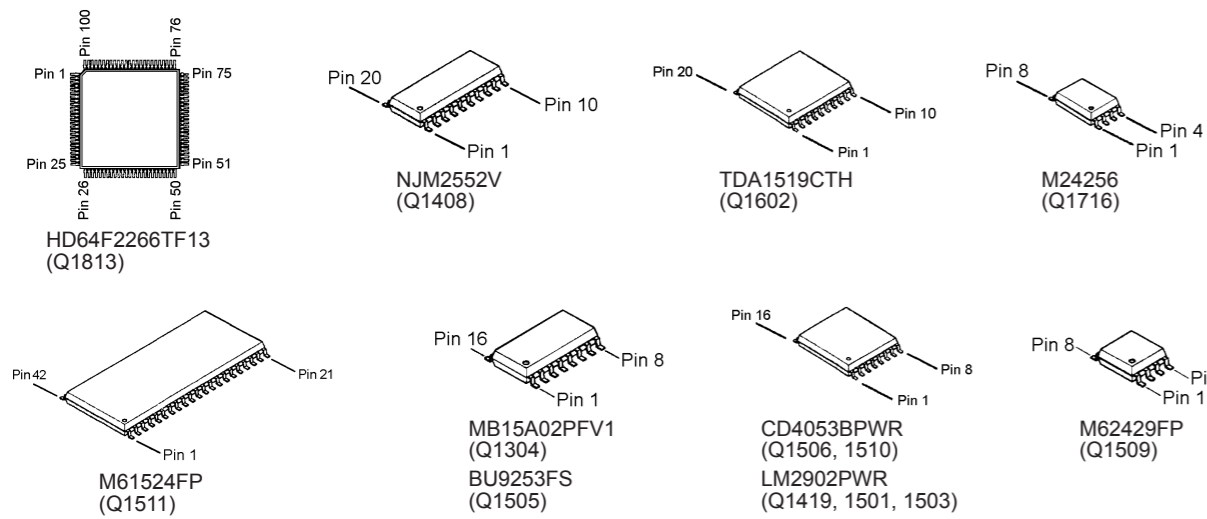
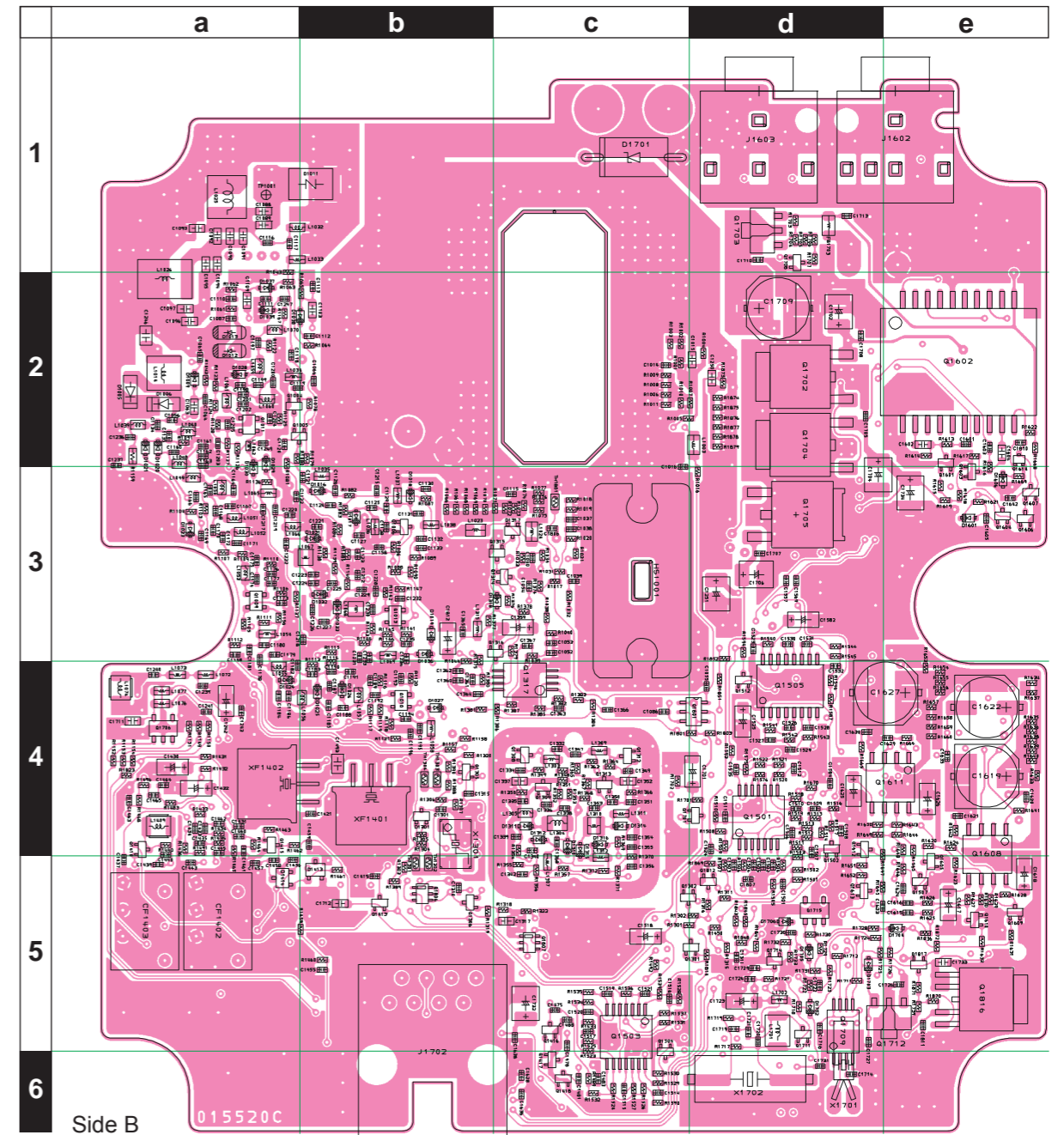
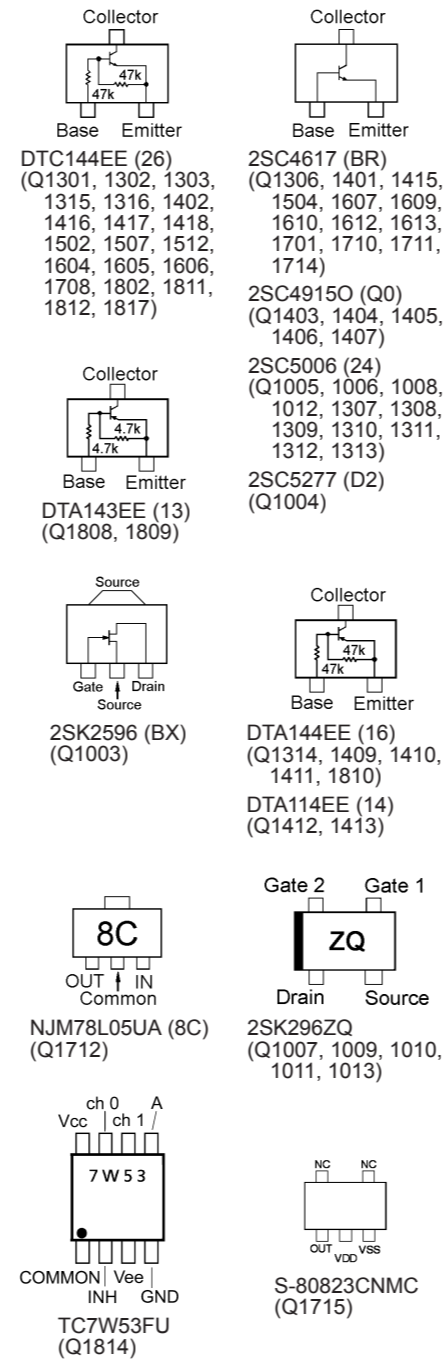
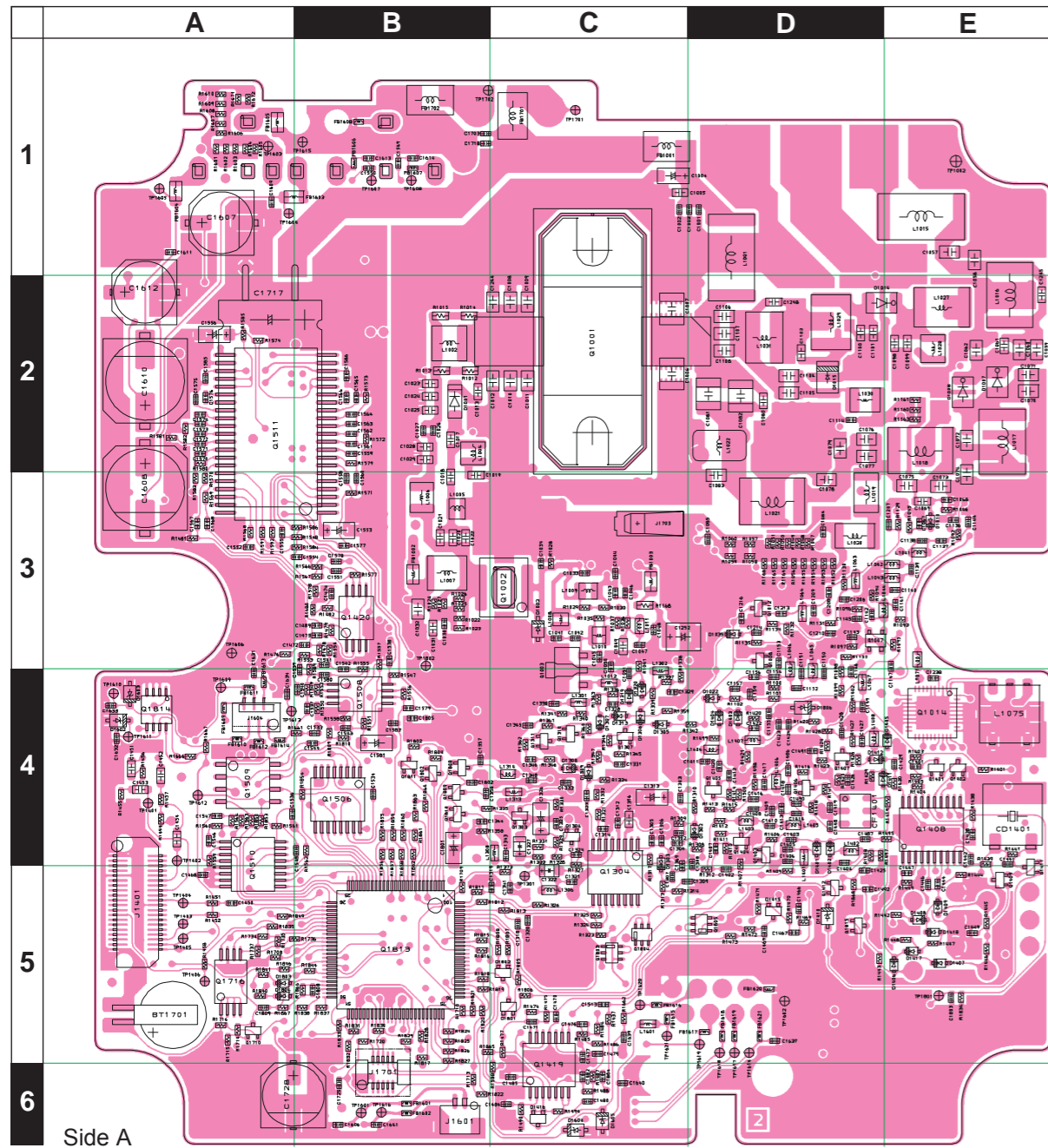
VOX Alignment

1. Press the **[VOL/SEL]** key repeatedly to display the Alignment Menu.
2. Press the **[▶]** key repeatedly to select Alignment Menu Item "**A-A VOX UP**".
3. Press the **[▲]** key to save the new setting.
4. Press the **[VOL/SEL]** key to save the new setting and exit the Alignment Menu mode.

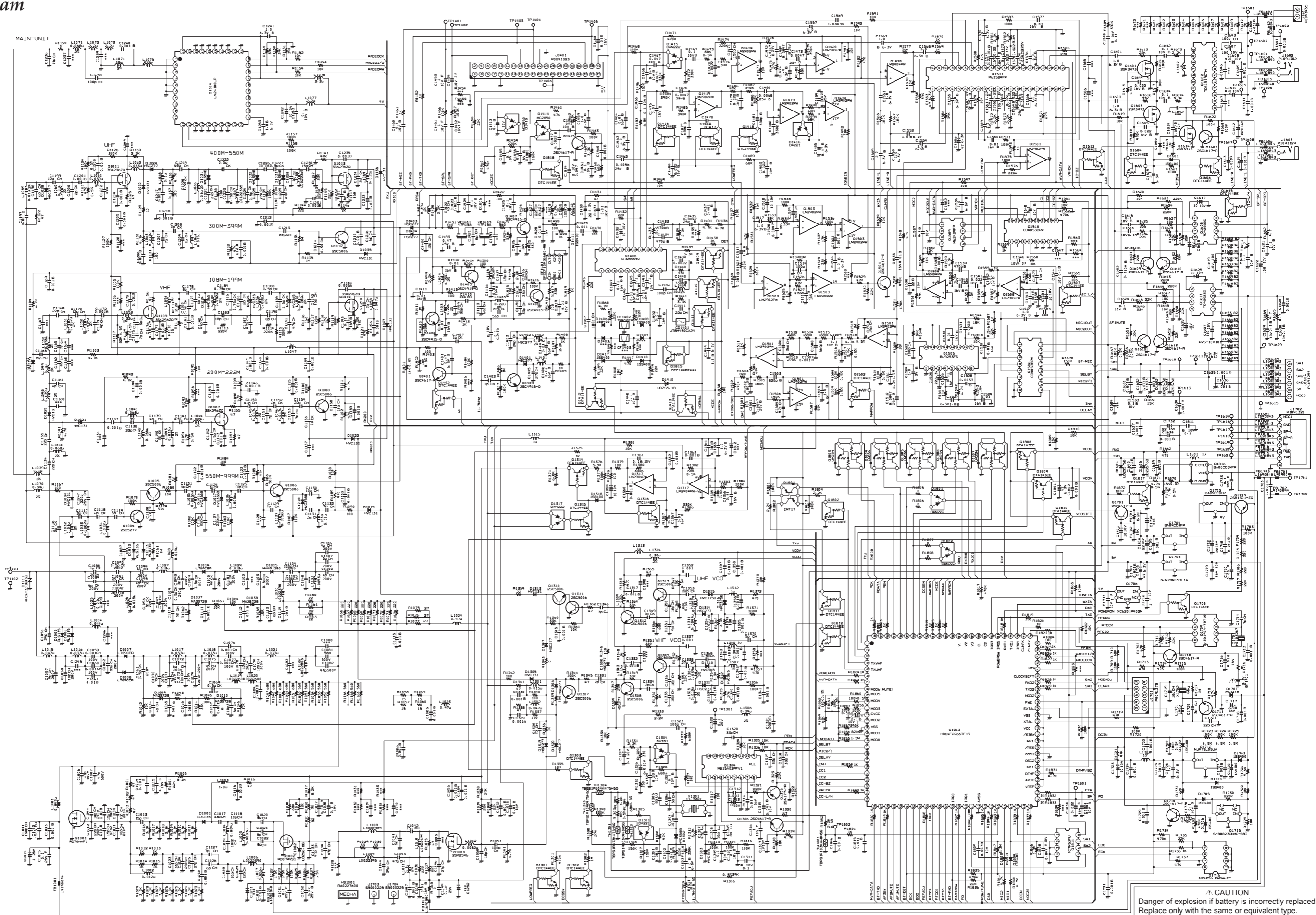
To close the alignment mode, just turn the power off by pressing and holding the **[PWR]** switch for two seconds. The next time the transceiver is turned on, normal operation will resume.

MAIN-Unit (Lot. 1~4)

Parts Layout

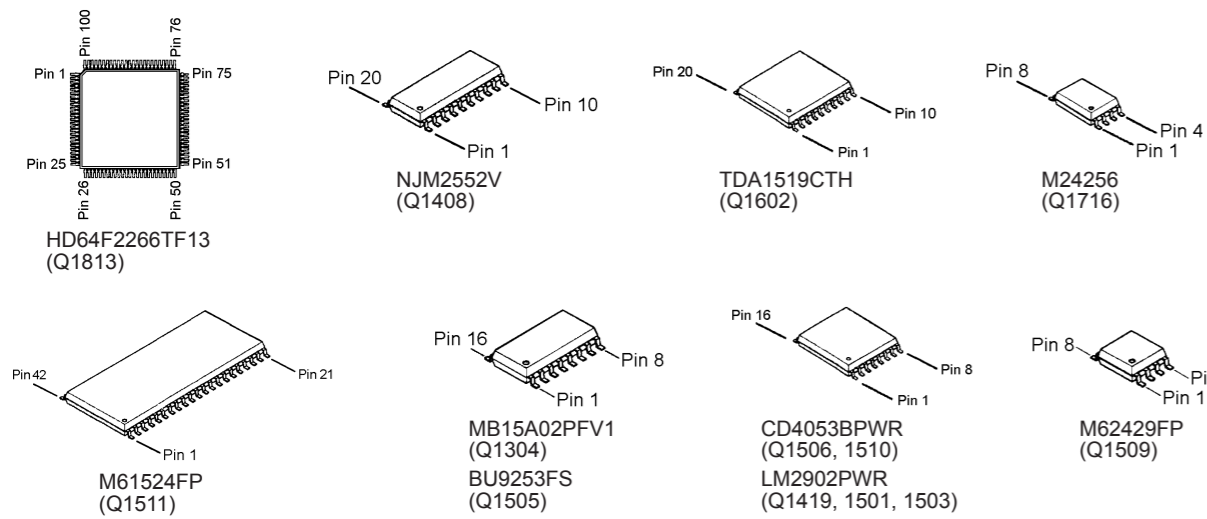
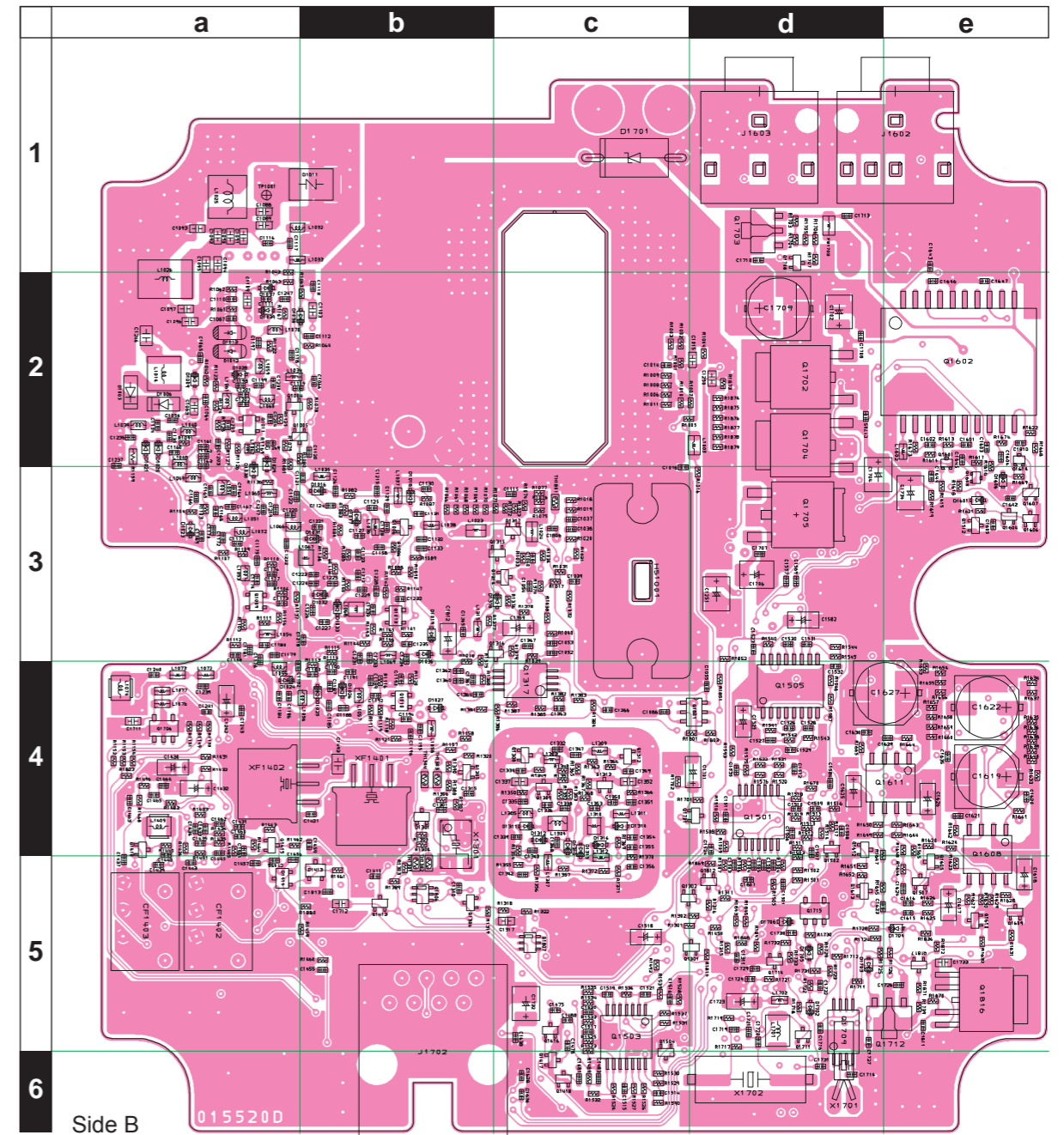
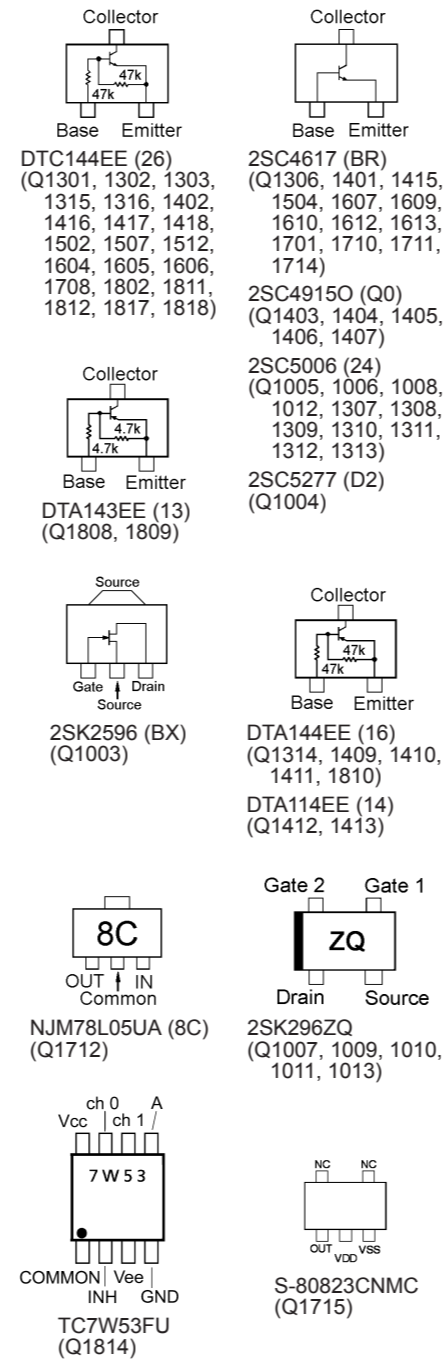
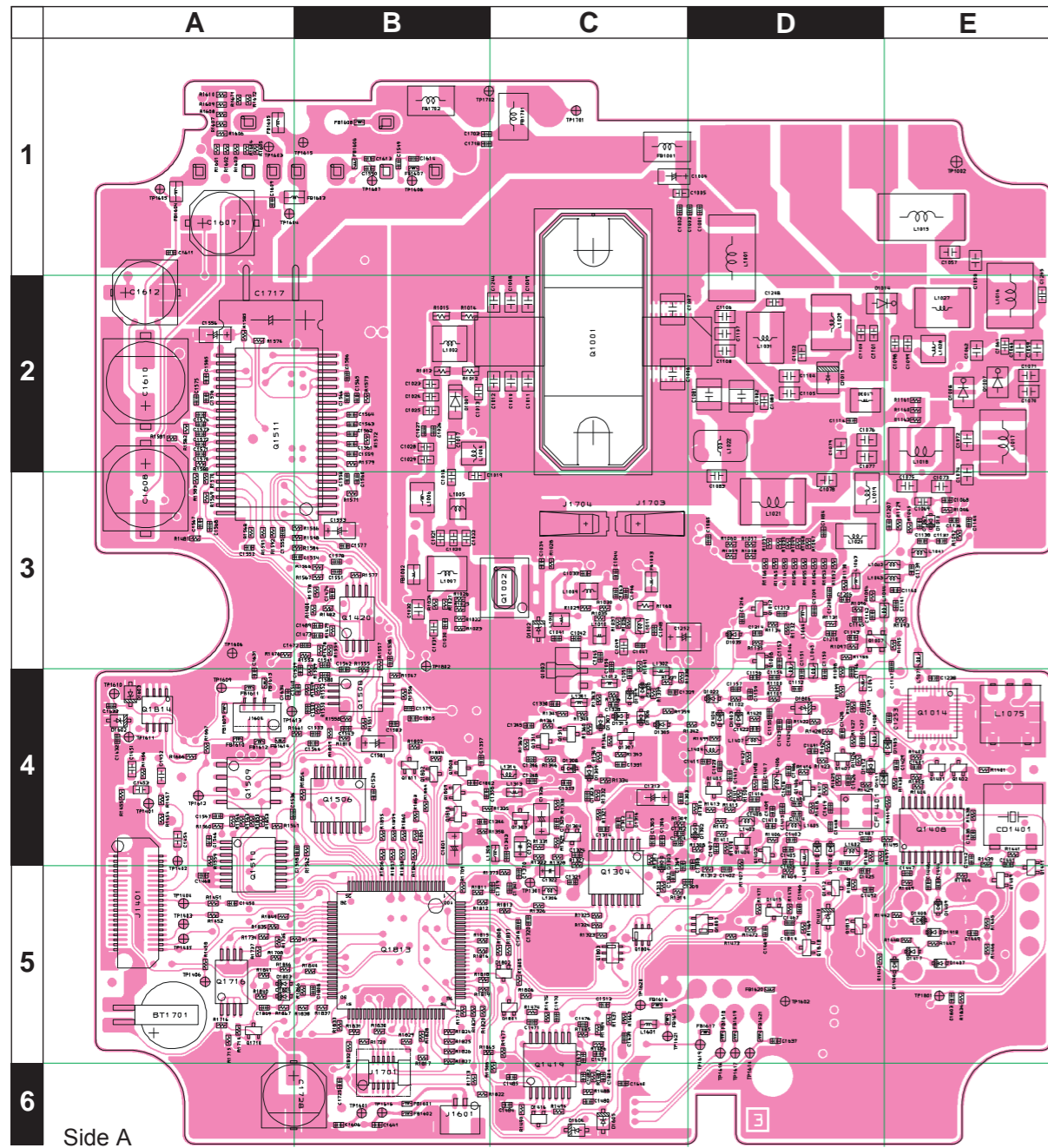


Circuit Diagram

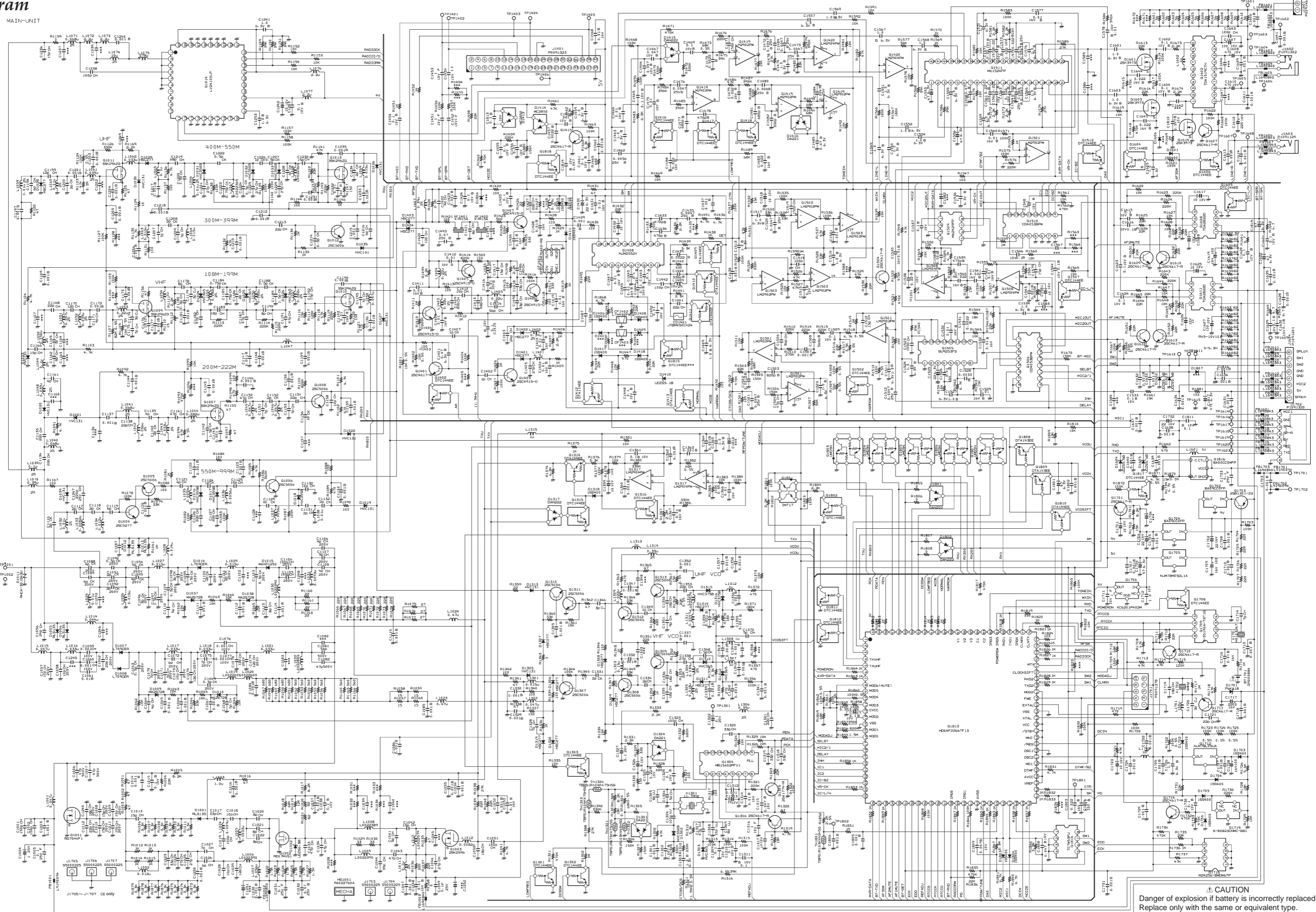


CAUTION
 Danger of explosion if battery is incorrectly replaced.
 Replace only with the same or equivalent type.

MAIN-Unit (Lot. 5~15) Parts Layout



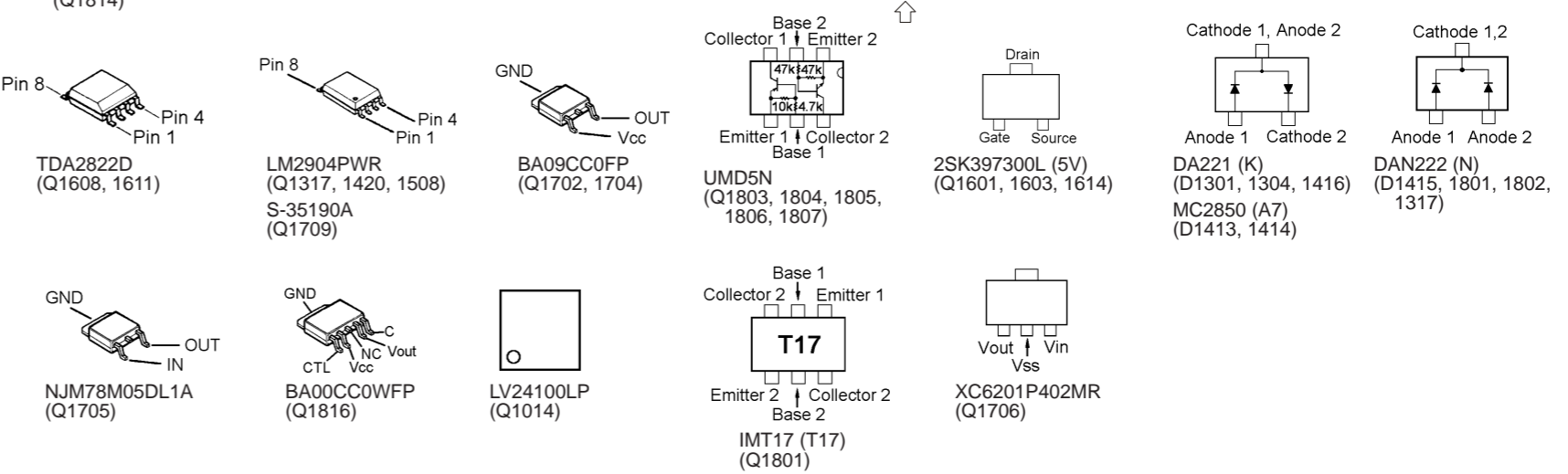
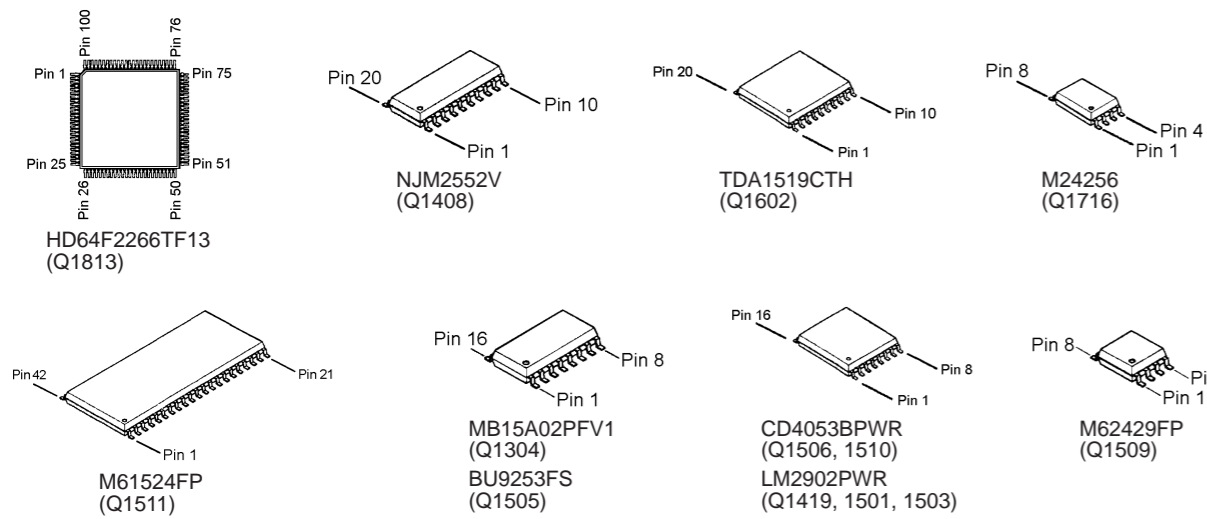
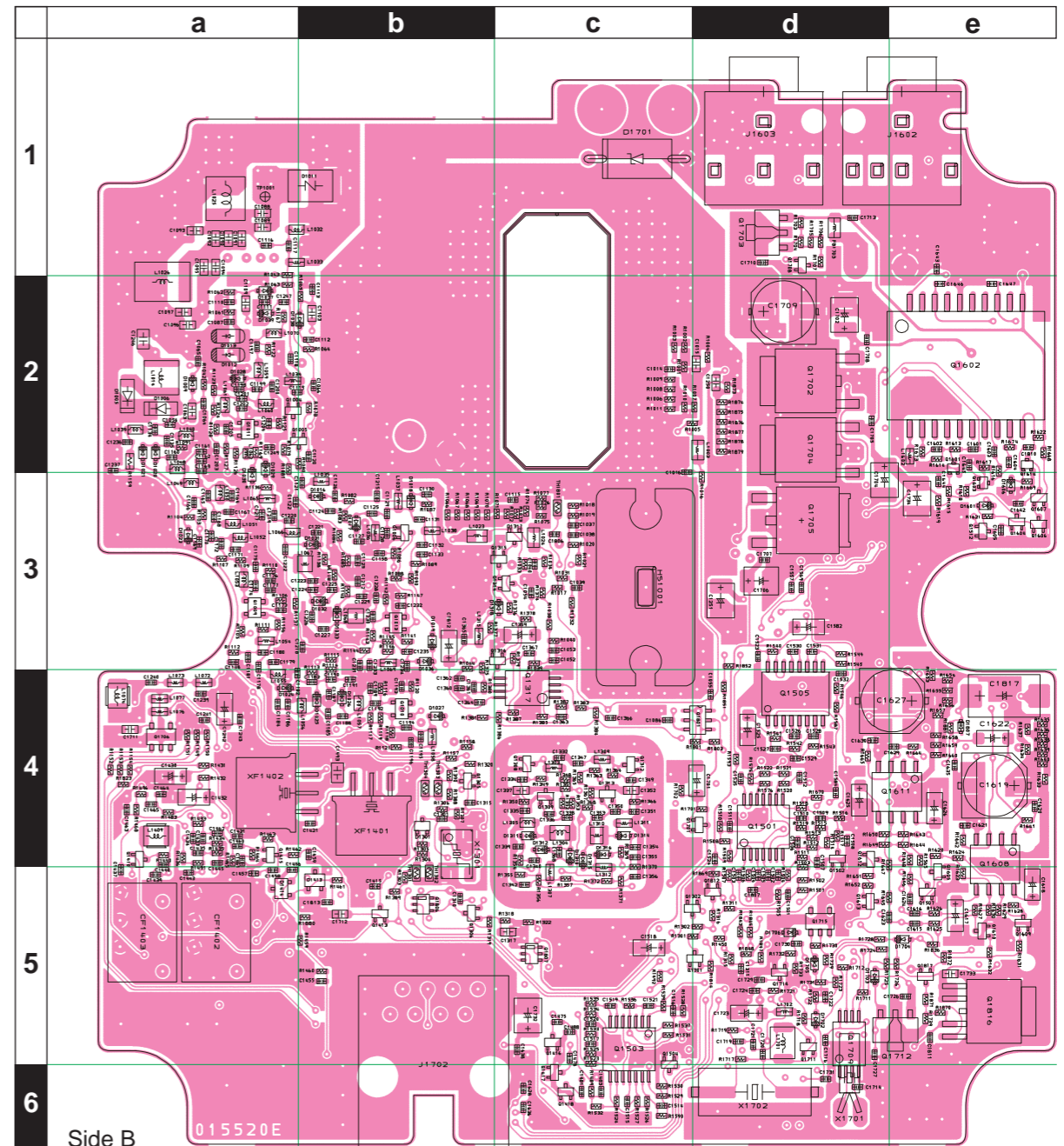
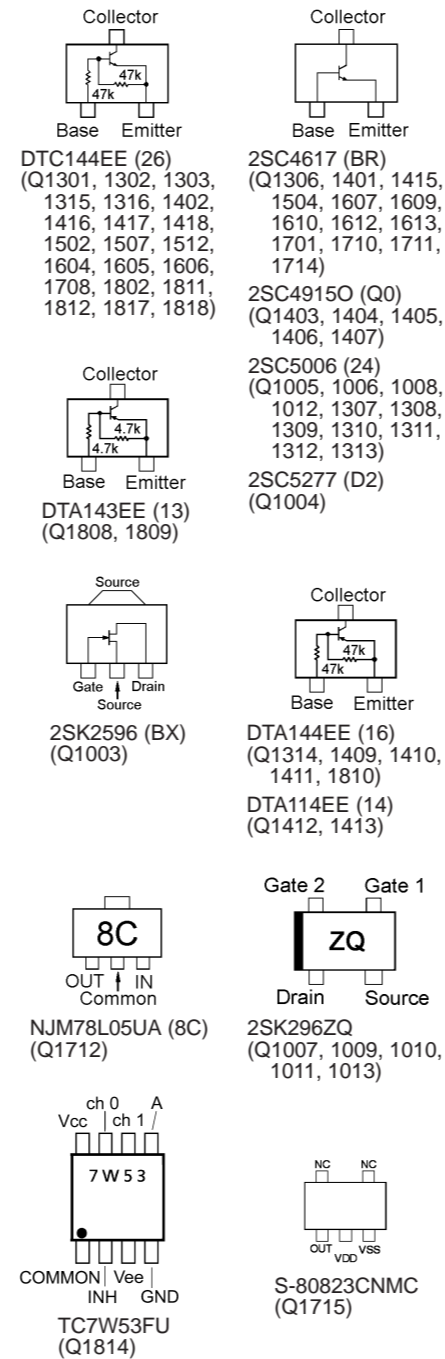
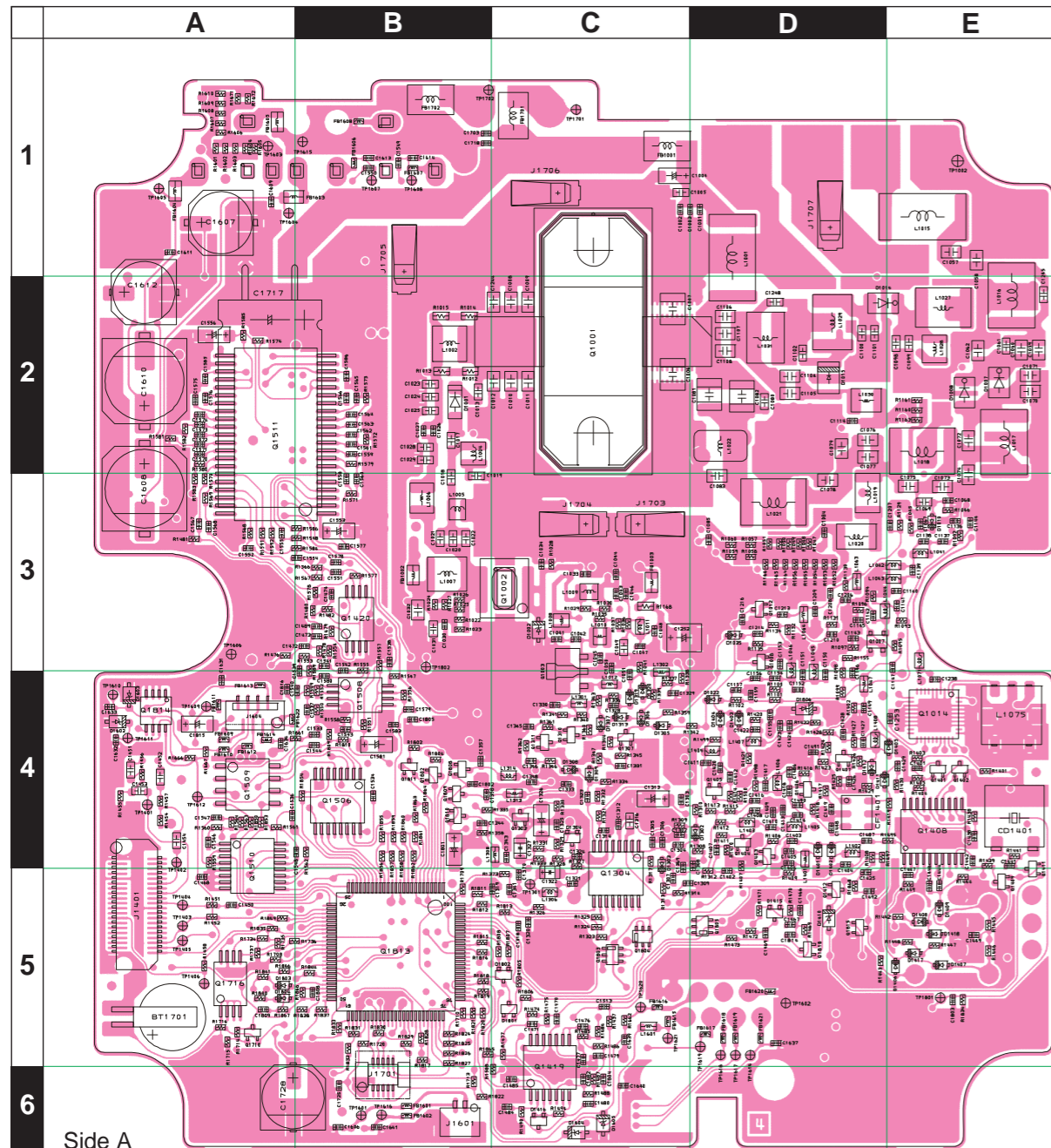
MAIN-UNIT

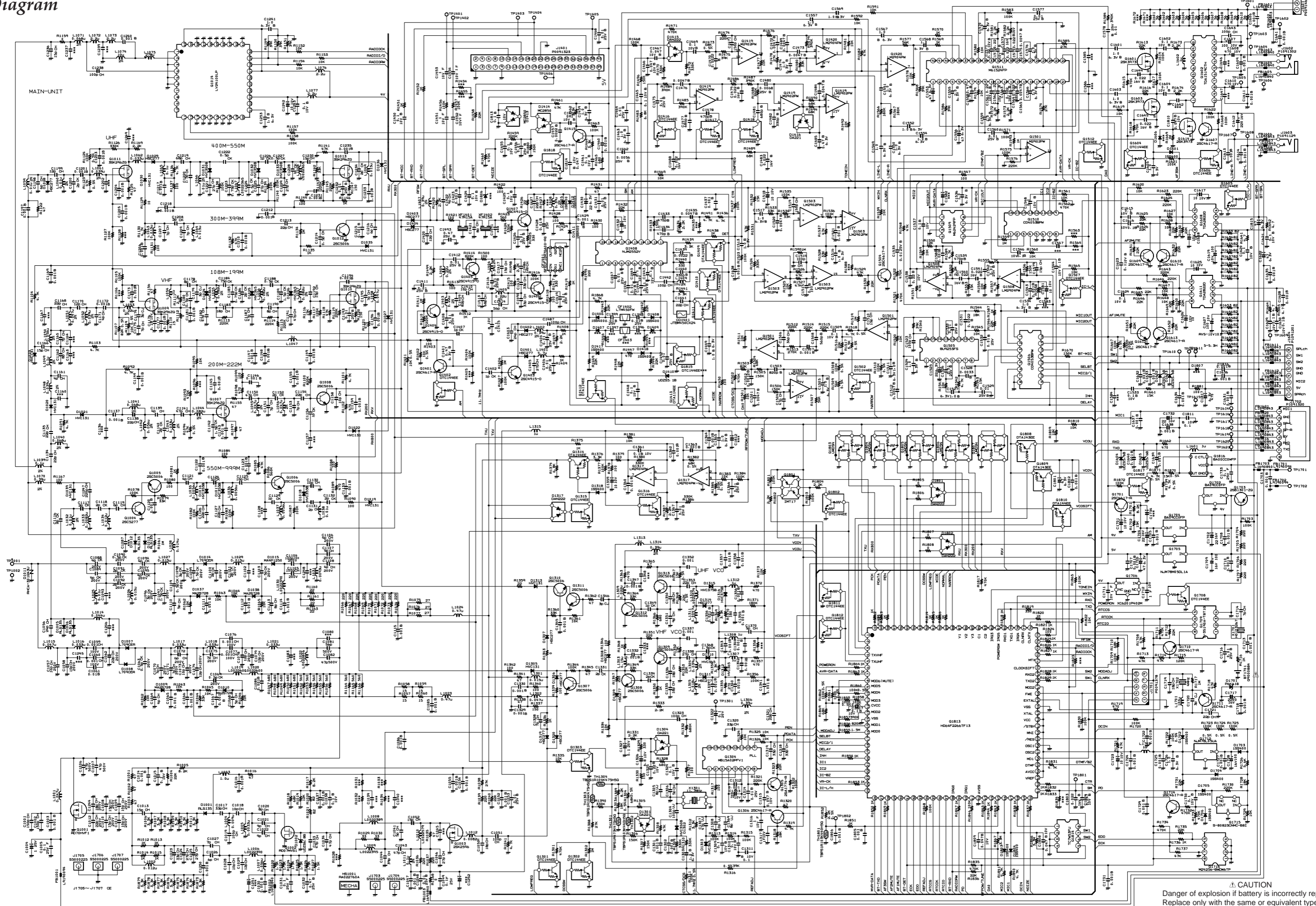


CAUTION
 Danger of explosion if battery is incorrectly replaced.
 Replace only with the same or equivalent type.

MAIN-Unit (Lot. 16~33)

Parts Layout

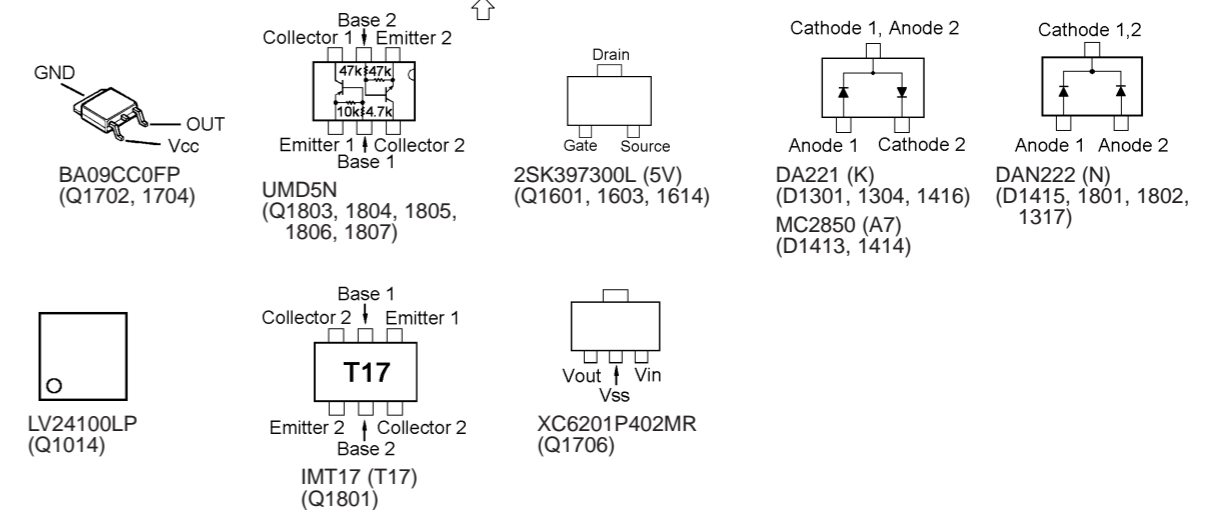
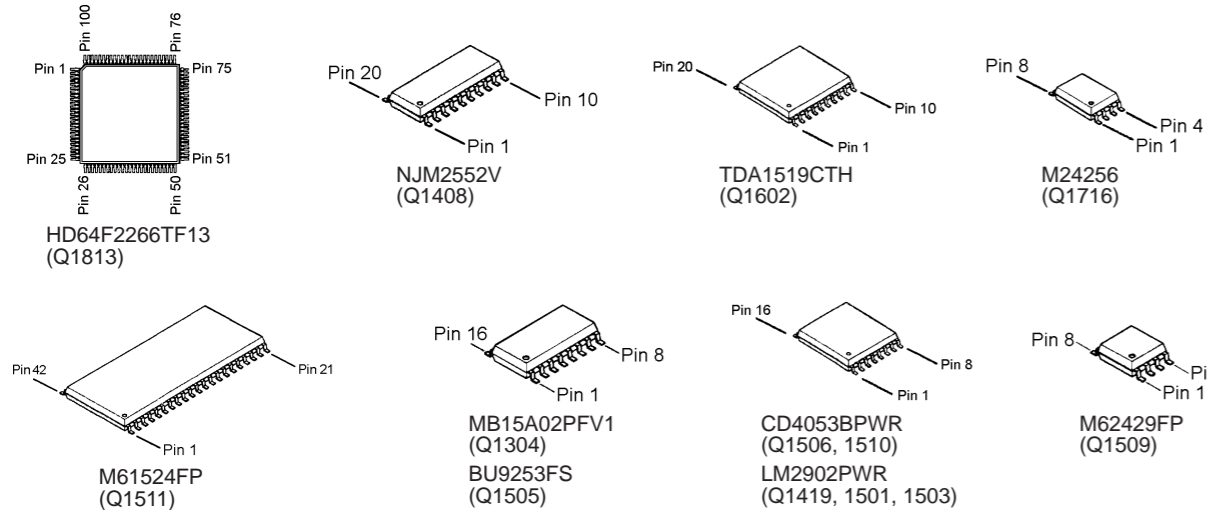
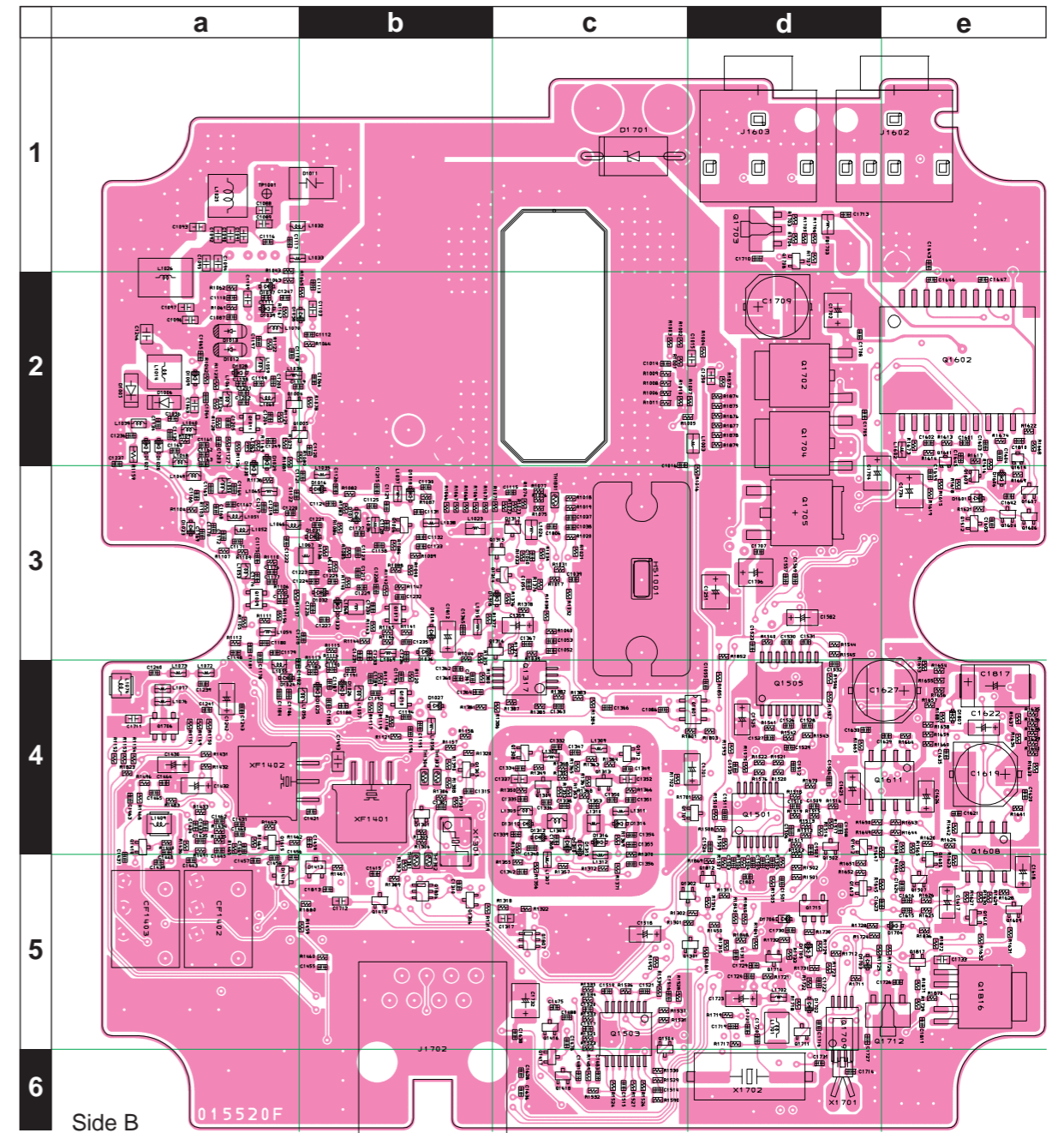
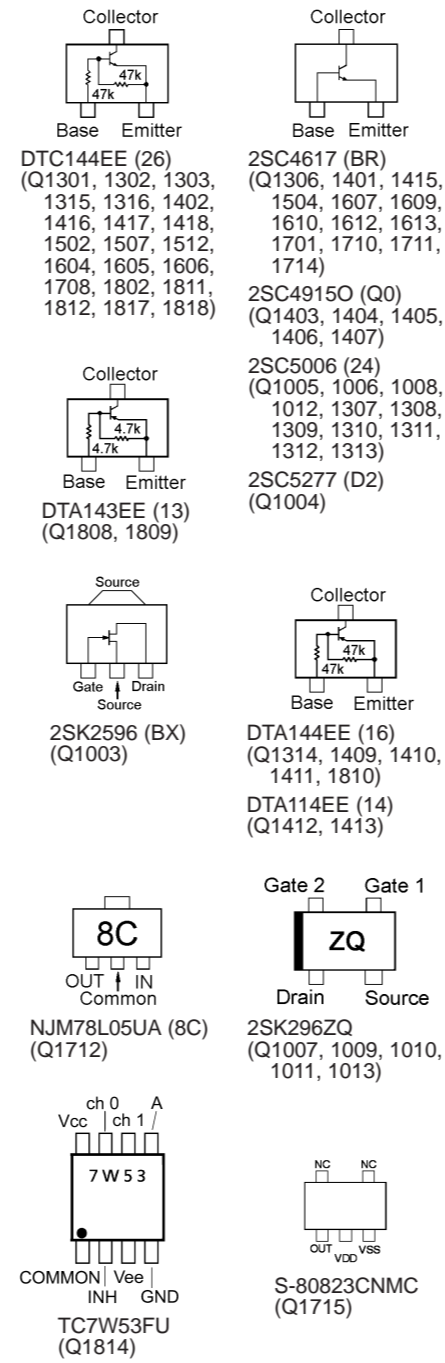
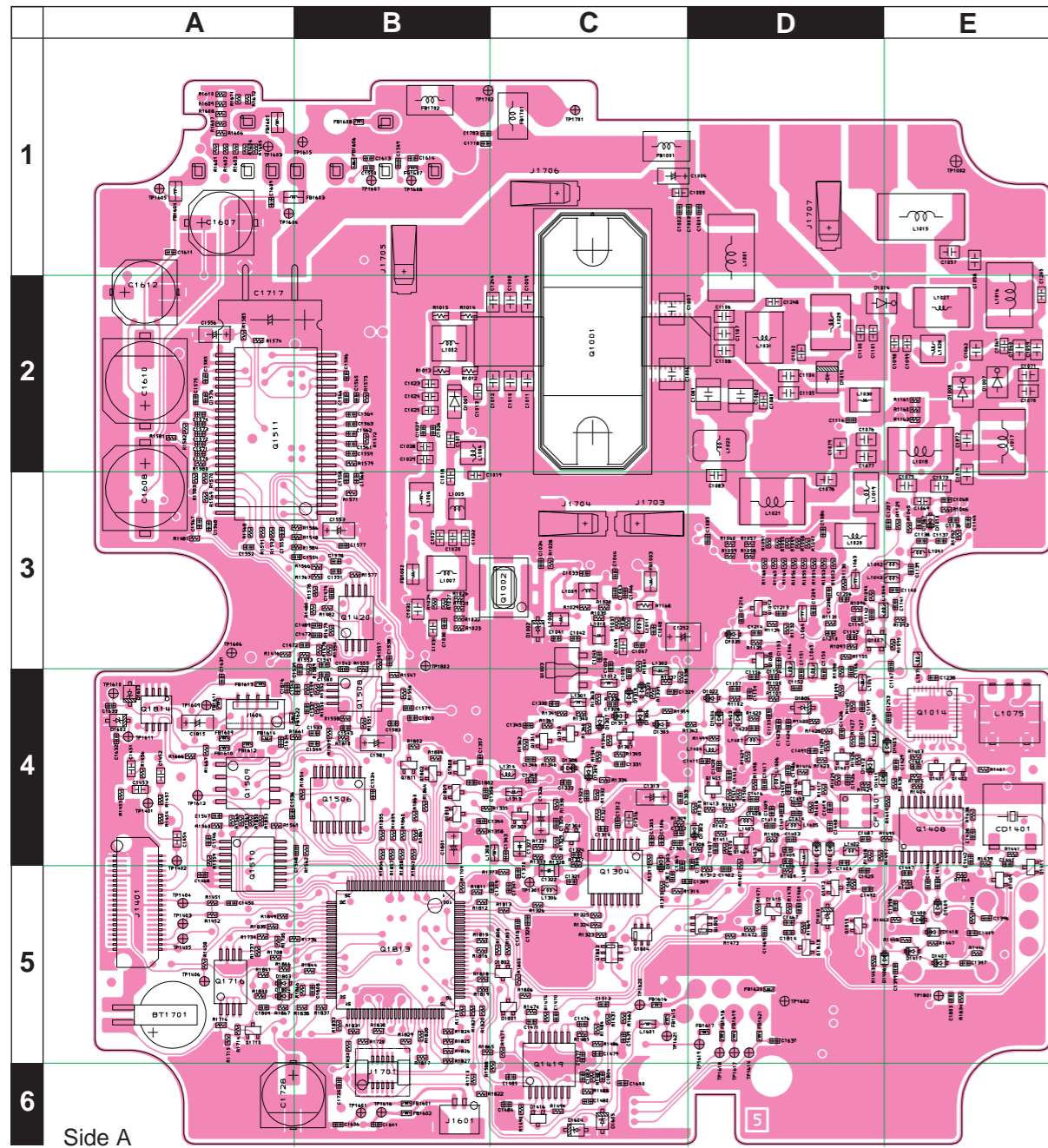




⚠ CAUTION
Danger of explosion if battery is incorrectly replaced.
Replace only with the same or equivalent type.

MAIN-Unit (Lot. 34~)

Parts Layout



MAIN-Unit

Parts List

| REF | DESCRIPTION | VALUE | V/W | TOL. | MFR'S DESIG | VXSTD P/N | VERS. | LOT | SIDE | LAY ADR |
|---------------------|----------------|---------|------|------|--------------------|-----------|------------------|-----|------|---------|
| PCB with Components | | | | | | CS1936003 | DST:USA, TYP:A2U | | | |
| | | | | | | CS1936004 | DST:EXP, TYP:A1 | | | |
| | | | | | | CS1936005 | DST:EXP, TYP:A2 | | | |
| | | | | | | CS1936006 | DST:EXP, TYP:A3 | | | |
| | | | | | | CS1936007 | DST:EU, TYP:B1 | | | |
| | | | | | | CS1936008 | DST:EU, TYP:B2 | | | |
| | | | | | | CS1936009 | DST:EXP, TYP:B3 | | | |
| | | | | | | CS1936010 | DST:EU, TYP:C1 | | | |
| | | | | | | CS1936011 | DST:EU, TYP:C2 | | | |
| | | | | | | CS1936012 | DST:EXP, TYP:C3 | | | |
| | | | | | | CS1936013 | DST:EU, TYP:D1 | | | |
| | | | | | | CS1936014 | DST:EU, TYP:D2 | | | |
| | | | | | | CS1936015 | DST:AUS, TYP:H1 | | | |
| | | | | | | CS1936016 | DST:AUS, TYP:H2 | | | |
| BT1701 | LI-ION BATTERY | | | | MS614-FL28E | Q9000783 | | 1 | A | A5 |
| BT1701 | LI-ION BATTERY | | | | ML614-TZ14 | Q9000872 | | 2- | A | A5 |
| BT1701 | LI-ION BATTERY | | | | MS614SE FL28E | Q9000884 | | 14- | A | A5 |
| C 1001 | CHIP CAP. | 150pF | 50V | CH | GRM1552C1H151JA01D | K22178240 | | 1- | A | D1 |
| C 1002 | CHIP CAP. | 150pF | 50V | CH | GRM1552C1H151JA01D | K22178240 | | 1- | A | C1 |
| C 1003 | CHIP CAP. | 0.001uF | 50V | B | GRM155B11H102KA01D | K22178809 | | 1- | A | D1 |
| C 1004 | CHIP TA.CAP. | 1uF | 25V | | TEESVA1E105M8R | K78140013 | | 1- | A | C1 |
| C 1005 | CHIP CAP. | 0.1uF | 25V | F | GRM188F11E104ZA01D | K22145001 | | 1- | A | C1 |
| C 1006 | FILM CAP. | 47pF | 500V | | UC232H0470J-T | K33279034 | | 1- | A | C2 |
| C 1007 | FILM CAP. | 47pF | 500V | | UC232H0470J-T | K33279034 | | 1- | A | C2 |
| C 1008 | CHIP CAP. | 15pF | 200V | CH | GRM2192C2D150JV01D | K22230218 | | 1- | A | C2 |
| C 1009 | CHIP CAP. | 10pF | 200V | CH | GRM2192C2D100JV01D | K22230216 | | 1- | A | C2 |
| C 1010 | CHIP CAP. | 15pF | 200V | CH | GRM2192C2D150JV01D | K22230218 | | 1- | A | C2 |
| C 1011 | CHIP CAP. | 10pF | 200V | CH | GRM2192C2D100JV01D | K22230216 | | 1- | A | C2 |
| C 1012 | CHIP CAP. | 22pF | 200V | CH | GRM2192C2D220JV01D | K22230220 | | 1- | A | C2 |
| C 1013 | CHIP CAP. | 15pF | 50V | CH | GRM1882C1H150JA01D | K22174215 | | 1- | A | B2 |
| C 1014 | CHIP CAP. | 0.001uF | 50V | B | GRM155B11H102KA01D | K22178809 | | 1- | B | c2 |
| C 1015 | CHIP CAP. | 0.1uF | 16V | B | GRM188B11C104KA01D | K22124805 | | 1- | B | d2 |
| C 1016 | CHIP CAP. | 0.001uF | 50V | B | GRM155B11H102KA01D | K22178809 | | 1- | B | c2 |
| C 1017 | CHIP CAP. | 33pF | 50V | CH | GRM1882C1H330JA01D | K22174223 | | 1- | A | B2 |
| C 1018 | CHIP CAP. | 10pF | 50V | CH | GRM1882C1H100JA01D | K22174211 | | 1- | A | B3 |
| C 1019 | CHIP CAP. | 100pF | 50V | CH | GRM1882C1H101JA01D | K22174235 | | 1- | A | B3 |
| C 1020 | CHIP CAP. | 8pF | 50V | CH | GRM1882C1H8R0CZ01D | K22174246 | | 1- | A | B3 |
| C 1021 | CHIP CAP. | 8pF | 50V | CH | GRM1882C1H8R0CZ01D | K22174246 | | 1- | A | B3 |
| C 1021 | CHIP CAP. | 9pF | 50V | CH | GRM1882C1H9R0CZ01D | K22174247 | | 17- | A | B3 |
| C 1022 | CHIP CAP. | 8pF | 50V | CH | GRM1882C1H8R0CZ01D | K22174246 | | 1- | A | B3 |
| C 1022 | CHIP CAP. | 9pF | 50V | CH | GRM1882C1H9R0CZ01D | K22174247 | | 17- | A | B3 |
| C 1023 | CHIP CAP. | 33pF | 50V | CH | GRM1882C1H330JA01D | K22174223 | | 1- | A | B2 |
| C 1024 | CHIP CAP. | 27pF | 50V | CH | GRM1882C1H270JA01D | K22174221 | | 1- | A | B2 |
| C 1025 | CHIP CAP. | 27pF | 50V | CH | GRM1882C1H270JA01D | K22174221 | | 1- | A | B2 |
| C 1026 | CHIP CAP. | 6pF | 50V | CH | GRM1552C1H6R0BZ01D | K22178293 | | 1- | A | B2 |
| C 1027 | CHIP CAP. | 7pF | 50V | CH | GRM1552C1H7R0BZ01D | K22178294 | | 1- | A | B2 |
| C 1028 | CHIP CAP. | 10pF | 50V | CH | GRM1882C1H100JA01D | K22174211 | | 1- | A | B2 |
| C 1029 | CHIP CAP. | 12pF | 50V | CH | GRM1882C1H120JA01D | K22174213 | | 1- | A | B2 |
| C 1030 | CHIP CAP. | 0.001uF | 50V | B | GRM155B11H102KA01D | K22178809 | | 1- | A | B3 |
| C 1031 | CHIP CAP. | 0.1uF | 25V | F | GRM188F11E104ZA01D | K22145001 | | 1- | A | B3 |
| C 1032 | CHIP CAP. | 0.47uF | 25V | B | GRM21BB11E474KC01L | K22140824 | | 1- | A | B3 |
| C 1033 | CHIP CAP. | 47pF | 50V | CH | GRM1552C1H470JZ01D | K22178228 | | 1- | A | C3 |
| C 1034 | CHIP CAP. | 47pF | 50V | CH | GRM1552C1H470JZ01D | K22178228 | | 1- | A | C3 |
| C 1037 | CHIP CAP. | 0.001uF | 50V | B | GRM155B11H102KA01D | K22178809 | | 1- | B | c3 |
| C 1038 | CHIP CAP. | 0.1uF | 10V | B | GRM155B11A104KA01D | K22108802 | | 1- | B | c3 |
| C 1041 | CHIP CAP. | 5pF | 50V | CH | GRM1552C1H5R0BZ01D | K22178292 | | 1- | A | C3 |
| C 1042 | CHIP CAP. | 15pF | 50V | CH | GRM1552C1H150JZ01D | K22178216 | | 1- | A | C3 |
| C 1043 | CHIP CAP. | 47pF | 50V | CH | GRM1552C1H470JZ01D | K22178228 | | 1- | A | C3 |
| C 1044 | CHIP CAP. | 39pF | 50V | CH | GRM1552C1H390JZ01D | K22178226 | | 1- | A | C3 |
| C 1046 | CHIP CAP. | 27pF | 50V | CH | GRM1552C1H270JZ01D | K22178222 | | 1- | A | C3 |
| C 1047 | CHIP CAP. | 0.001uF | 50V | B | GRM155B11H102KA01D | K22178809 | | 1- | A | C3 |
| C 1048 | CHIP CAP. | 0.01uF | 16V | B | GRM36B103K16PT | K22128804 | | 1- | A | C3 |
| C 1048 | CHIP CAP. | 0.01uF | 25V | B | GRM155B11E103KA01D | K22148834 | | 16- | A | C3 |
| C 1049 | CHIP CAP. | 0.1uF | 25V | F | GRM188F11E104ZA01D | K22145001 | | 1- | A | C3 |
| C 1050 | CHIP CAP. | 18pF | 50V | CH | GRM1552C1H180JZ01D | K22178218 | | 1- | A | C3 |
| C 1051 | CHIP CAP. | 100pF | 50V | CH | GRM1552C1H101JD01D | K22178236 | | 1- | A | C4 |
| C 1052 | CHIP CAP. | 0.001uF | 50V | B | GRM155B11H102KA01D | K22178809 | | 1- | B | c3 |
| C 1053 | CHIP CAP. | 0.01uF | 16V | B | GRM36B103K16PT | K22128804 | | 1- | B | c3 |
| C 1053 | CHIP CAP. | 0.01uF | 25V | B | GRM155B11E103KA01D | K22148834 | | 16- | B | c3 |
| C 1054 | CHIP CAP. | 0.001uF | 50V | B | GRM155B11H102KA01D | K22178809 | | 1- | B | c3 |

MAIN-Unit

Parts List

| REF | DESCRIPTION | VALUE | V/W | TOL. | MFR'S DESIG | VXSTD P/N | VERS. | LOT | SIDE | LAY ADR |
|--------|-------------|---------|------|------|--------------------|-----------|-----------|-----|------|---------|
| C 1055 | CHIP CAP. | 0.001uF | 50V | B | GRM155B11H102KA01D | K22178809 | | 1- | B | d4 |
| C 1056 | CHIP CAP. | 24pF | 50V | CH | GRM1552C1H240JZ01D | K22178221 | | 1 | B | a2 |
| C 1056 | CHIP CAP. | 24pF | 50V | CH | GRM1552C1H240JZ01D | K22178221 | AUSTRALIA | 2- | B | a2 |
| C 1056 | CHIP CAP. | 24pF | 50V | CH | GRM1552C1H240JZ01D | K22178221 | EUROPE | 2- | B | a2 |
| C 1056 | CHIP CAP. | 24pF | 50V | CH | GRM1552C1H240JZ01D | K22178221 | EXPORT | 2- | B | a2 |
| C 1056 | CHIP CAP. | 24pF | 50V | CH | GRM1552C1H240JZ01D | K22178221 | USA | 2- | B | a2 |
| C 1057 | CHIP CAP. | 10pF | 200V | CH | GRM2192C2D100JV01D | K22230216 | | 1- | A | E1 |
| C 1058 | CHIP CAP. | 10pF | 200V | CH | GRM2192C2D100JV01D | K22230216 | | 1- | A | E1 |
| C 1059 | CHIP CAP. | 0.001uF | 100V | CH | GRM2192C2A102JA01D | K22200203 | | 1- | A | E2 |
| C 1060 | CHIP CAP. | 0.001uF | 100V | CH | GRM2192C2A102JA01D | K22200203 | | 1- | A | E2 |
| C 1061 | CHIP CAP. | 0.01uF | 50V | B | GRM188B11H103KA01D | K22174823 | | 1- | A | E2 |
| C 1062 | CHIP CAP. | 22pF | 200V | CH | GRM2192C2D220JV01D | K22230220 | | 1- | A | E2 |
| C 1063 | CHIP CAP. | 0.5pF | 200V | CK | GRM1884C2DR50CY21D | K22234201 | | 1 | B | a2 |
| C 1064 | CHIP CAP. | 4pF | 50V | CH | GRM1552C1H4R0BZ01D | K22178291 | | 1- | B | a2 |
| C 1065 | CHIP CAP. | 0.001uF | 50V | B | GRM155B11H102KA01D | K22178809 | | 1- | B | a2 |
| C 1066 | CHIP CAP. | 0.001uF | 50V | B | GRM155B11H102KA01D | K22178809 | | 1- | B | b2 |
| C 1067 | CHIP CAP. | 0.001uF | 50V | B | GRM155B11H102KA01D | K22178809 | | 1- | A | E3 |
| C 1068 | CHIP CAP. | 5pF | 50V | CH | GRM1552C1H5R0BZ01D | K22178292 | | 1- | A | E3 |
| C 1069 | CHIP CAP. | 0.5pF | 200V | CK | GRM1884C2DR50CY21D | K22234201 | | 1 | A | E3 |
| C 1070 | CHIP CAP. | 7pF | 200V | CH | GRM2192C2D7R0DY21D | K22230213 | | 1- | A | E2 |
| C 1071 | CHIP CAP. | 7pF | 200V | CH | GRM2192C2D7R0DY21D | K22230213 | | 1- | A | E2 |
| C 1072 | CHIP CAP. | 6pF | 200V | CH | GRM2192C2D6R0DY21D | K22230212 | | 1- | A | E2 |
| C 1073 | CHIP CAP. | 10pF | 200V | CH | GRM2192C2D100JV01D | K22230216 | | 1- | A | E3 |
| C 1074 | CHIP CAP. | 12pF | 200V | CH | GRM2192C2D120JV01D | K22230217 | | 1- | A | E3 |
| C 1075 | CHIP CAP. | 7pF | 200V | CH | GRM2192C2D7R0DY21D | K22230213 | | 1- | A | E3 |
| C 1076 | CHIP CAP. | 0.001uF | 100V | CH | GRM2192C2A102JA01D | K22200203 | | 1- | A | D2 |
| C 1077 | CHIP CAP. | 0.001uF | 100V | CH | GRM2192C2A102JA01D | K22200203 | | 1- | A | D2 |
| C 1078 | CHIP CAP. | 12pF | 200V | CH | GRM2192C2D120JV01D | K22230217 | | 1- | A | D3 |
| C 1079 | CHIP CAP. | 12pF | 200V | CH | GRM2192C2D120JV01D | K22230217 | | 1- | A | D2 |
| C 1081 | FILM CAP. | 56pF | 500V | | UC232H0560J-T | K33279035 | | 1- | A | D2 |
| C 1082 | FILM CAP. | 47pF | 500V | | UC232H0470J-T | K33279034 | | 1- | A | D2 |
| C 1084 | CHIP CAP. | 0.001uF | 50V | B | GRM155B11H102KA01D | K22178809 | | 1- | A | D3 |
| C 1085 | CHIP CAP. | 0.001uF | 50V | B | GRM155B11H102KA01D | K22178809 | | 1- | A | D3 |
| C 1086 | CHIP CAP. | 0.001uF | 50V | B | GRM155B11H102KA01D | K22178809 | | 1- | B | c4 |
| C 1088 | CHIP CAP. | 4pF | 200V | CH | GRM1882C2D4R0CV01D | K22234206 | | 1- | B | a1 |
| C 1089 | CHIP CAP. | 4pF | 200V | CH | GRM1882C2D4R0CV01D | K22234206 | | 1- | B | a1 |
| C 1090 | CHIP CAP. | 0.5pF | 200V | CK | GRM1884C2DR50CY21D | K22234201 | | 1- | B | a1 |
| C 1091 | CHIP CAP. | 2pF | 200V | CK | GRM1884C2D2R0CV01D | K22234204 | | 1- | B | a1 |
| C 1092 | CHIP CAP. | 2pF | 200V | CK | GRM1884C2D2R0CV01D | K22234204 | | 1- | B | a1 |
| C 1094 | CHIP CAP. | 4pF | 200V | CH | GRM1882C2D4R0CV01D | K22234206 | | 1- | B | a1 |
| C 1095 | CHIP CAP. | 4pF | 200V | CH | GRM1882C2D4R0CV01D | K22234206 | | 1- | B | a1 |
| C 1096 | CHIP CAP. | 3pF | 200V | CJ | GRM1883C2D3R0CV01D | K22234205 | | 1- | B | a2 |
| C 1097 | CHIP CAP. | 1.5pF | 200V | CK | GRM1884C2D1R5CV01D | K22234213 | | 1- | B | a2 |
| C 1098 | CHIP CAP. | 3pF | 200V | CJ | GRM1883C2D3R0CV01D | K22234205 | | 1- | A | E2 |
| C 1099 | CHIP CAP. | 1.5pF | 200V | CK | GRM1884C2D1R5CV01D | K22234213 | | 1- | A | E2 |
| C 1100 | CHIP CAP. | 2pF | 200V | CK | GRM1884C2D2R0CV01D | K22234204 | | 1- | A | D2 |
| C 1101 | CHIP CAP. | 2pF | 200V | CK | GRM1884C2D2R0CV01D | K22234204 | | 1- | A | D2 |
| C 1103 | CHIP CAP. | 0.5pF | 200V | CK | GRM1884C2DR50CY21D | K22234201 | | 1 | B | b2 |
| C 1104 | CHIP CAP. | 100pF | 200V | CH | GRM21B2C2D101JV01L | K22230228 | | 1- | A | D2 |
| C 1105 | CHIP CAP. | 100pF | 200V | CH | GRM21B2C2D101JV01L | K22230228 | | 1- | A | D2 |
| C 1106 | CHIP CAP. | 4pF | 200V | CH | GRM2192C2D4R0CY21D | K22230211 | | 1- | A | D2 |
| C 1107 | CHIP CAP. | 5pF | 200V | CH | GRM2192C2D5R0CY21D | K22230207 | | 1- | A | D2 |
| C 1108 | CHIP CAP. | 4pF | 200V | CH | GRM2192C2D4R0CY21D | K22230211 | | 1- | A | D2 |
| C 1109 | CHIP CAP. | 0.5pF | 200V | CK | GRM1884C2DR50CY21D | K22234201 | | 1 | B | a2 |
| C 1110 | CHIP CAP. | 5pF | 50V | CH | GRM1552C1H5R0BZ01D | K22178292 | | 1- | B | a2 |
| C 1111 | CHIP CAP. | 0.001uF | 50V | B | GRM155B11H102KA01D | K22178809 | | 1- | B | a2 |
| C 1112 | CHIP CAP. | 0.001uF | 50V | B | GRM155B11H102KA01D | K22178809 | | 1- | B | b2 |
| C 1113 | CHIP CAP. | 8pF | 50V | CH | GRM1552C1H8R0BZ01D | K22178295 | | 1- | B | b2 |
| C 1114 | CHIP CAP. | 0.001uF | 50V | B | GRM155B11H102KA01D | K22178809 | | 1- | A | D2 |
| C 1115 | CHIP CAP. | 0.001uF | 50V | B | GRM155B11H102KA01D | K22178809 | | 1- | B | c3 |
| C 1116 | CHIP CAP. | 2pF | 50V | CK | GRM1554C1H2R0BZ01D | K22178289 | | 1- | B | a1 |
| C 1117 | CHIP CAP. | 2pF | 50V | CK | GRM1554C1H2R0BZ01D | K22178289 | | 1- | B | a1 |
| C 1118 | CHIP CAP. | 2pF | 50V | CK | GRM1554C1H2R0BZ01D | K22178289 | | 1- | B | a2 |
| C 1119 | CHIP CAP. | 6pF | 50V | CH | GRM1552C1H6R0BZ01D | K22178293 | | 1- | B | b2 |
| C 1120 | CHIP CAP. | 0.001uF | 50V | B | GRM155B11H102KA01D | K22178809 | | 1- | B | b2 |
| C 1121 | CHIP CAP. | 4pF | 50V | CH | GRM1552C1H4R0BZ01D | K22178291 | | 1- | B | b3 |
| C 1122 | CHIP CAP. | 0.001uF | 50V | B | GRM155B11H102KA01D | K22178809 | | 1- | B | b3 |
| C 1123 | CHIP CAP. | 0.001uF | 50V | B | GRM155B11H102KA01D | K22178809 | | 1- | B | b3 |
| C 1124 | CHIP CAP. | 1pF | 50V | CK | GRM1554C1H1R0BZ01D | K22178287 | | 1- | B | b3 |
| C 1125 | CHIP CAP. | 10pF | 50V | CH | GRM1552C1H100BZ01D | K22178297 | | 1- | B | b3 |

MAIN-Unit

Parts List

| REF | DESCRIPTION | VALUE | V/W | TOL. | MFR'S DESIG | VXSTD P/N | VERS. | LOT | SIDE | LAY ADR |
|--------|-------------|---------|-----|------|--------------------|-----------|-----------|-----|------|---------|
| C 1126 | CHIP CAP. | 22pF | 50V | CH | GRM1552C1H220JZ01D | K22178220 | | 1- | B | b3 |
| C 1127 | CHIP CAP. | 22pF | 50V | CH | GRM1552C1H220JZ01D | K22178220 | | 1- | B | b3 |
| C 1129 | CHIP CAP. | 1pF | 50V | CK | GRM1554C1H1R0BZ01D | K22178287 | | 1- | B | b3 |
| C 1130 | CHIP CAP. | 10pF | 50V | CH | GRM1552C1H100BZ01D | K22178297 | | 1- | B | b3 |
| C 1131 | CHIP CAP. | 2pF | 50V | CK | GRM1554C1H2R0BZ01D | K22178289 | | 1- | B | b3 |
| C 1132 | CHIP CAP. | 2pF | 50V | CK | GRM1554C1H2R0BZ01D | K22178289 | | 1- | B | b3 |
| C 1133 | CHIP CAP. | 0.001uF | 50V | B | GRM155B11H102KA01D | K22178809 | | 1- | B | b3 |
| C 1134 | CHIP CAP. | 22pF | 50V | CH | GRM1552C1H220JZ01D | K22178220 | | 1 | B | a2 |
| C 1134 | CHIP CAP. | 22pF | 50V | CH | GRM1552C1H220JZ01D | K22178220 | AUSTRALIA | 2- | B | a2 |
| C 1134 | CHIP CAP. | 22pF | 50V | CH | GRM1552C1H220JZ01D | K22178220 | EUROPE | 2- | B | a2 |
| C 1134 | CHIP CAP. | 22pF | 50V | CH | GRM1552C1H220JZ01D | K22178220 | EXPORT | 2- | B | a2 |
| C 1134 | CHIP CAP. | 22pF | 50V | CH | GRM1552C1H220JZ01D | K22178220 | USA | 2- | B | a2 |
| C 1135 | CHIP CAP. | 22pF | 50V | CH | GRM1552C1H220JZ01D | K22178220 | | 1 | B | a2 |
| C 1135 | CHIP CAP. | 22pF | 50V | CH | GRM1552C1H220JZ01D | K22178220 | AUSTRALIA | 2- | B | a2 |
| C 1135 | CHIP CAP. | 22pF | 50V | CH | GRM1552C1H220JZ01D | K22178220 | EUROPE | 2- | B | a2 |
| C 1135 | CHIP CAP. | 22pF | 50V | CH | GRM1552C1H220JZ01D | K22178220 | EXPORT | 2- | B | a2 |
| C 1135 | CHIP CAP. | 22pF | 50V | CH | GRM1552C1H220JZ01D | K22178220 | USA | 2- | B | a2 |
| C 1137 | CHIP CAP. | 0.001uF | 50V | B | GRM155B11H102KA01D | K22178809 | | 1- | A | E3 |
| C 1138 | CHIP CAP. | 22pF | 50V | CH | GRM1552C1H220JZ01D | K22178220 | | 1- | A | E3 |
| C 1139 | CHIP CAP. | 4pF | 50V | CH | GRM1552C1H4R0BZ01D | K22178291 | | 1- | A | E3 |
| C 1140 | CHIP CAP. | 2pF | 50V | CK | GRM1554C1H2R0BZ01D | K22178289 | | 1- | A | E3 |
| C 1141 | CHIP CAP. | 47pF | 50V | CH | GRM1552C1H470JZ01D | K22178228 | | 1- | A | E3 |
| C 1142 | CHIP CAP. | 1.5pF | 50V | CK | GRM1554C1H1R5BZ01D | K22178288 | | 1- | A | D3 |
| C 1143 | CHIP CAP. | 0.001uF | 50V | B | GRM155B11H102KA01D | K22178809 | | 1- | A | D3 |
| C 1144 | CHIP CAP. | 0.001uF | 50V | B | GRM155B11H102KA01D | K22178809 | | 1- | A | E3 |
| C 1145 | CHIP CAP. | 0.001uF | 50V | B | GRM155B11H102KA01D | K22178809 | | 1- | A | D3 |
| C 1146 | CHIP CAP. | 0.001uF | 50V | B | GRM155B11H102KA01D | K22178809 | | 1- | A | D4 |
| C 1147 | CHIP CAP. | 0.001uF | 50V | B | GRM155B11H102KA01D | K22178809 | | 1- | A | E3 |
| C 1148 | CHIP CAP. | 0.001uF | 50V | B | GRM155B11H102KA01D | K22178809 | | 1- | B | a3 |
| C 1149 | CHIP CAP. | 0.001uF | 50V | B | GRM155B11H102KA01D | K22178809 | | 1- | A | D4 |
| C 1150 | CHIP CAP. | 47pF | 50V | CH | GRM1552C1H470JZ01D | K22178228 | | 1- | A | D4 |
| C 1151 | CHIP CAP. | 7pF | 50V | CH | GRM1552C1H7R0BZ01D | K22178294 | | 1- | A | D4 |
| C 1152 | CHIP CAP. | 2pF | 50V | CK | GRM1554C1H2R0BZ01D | K22178289 | | 1- | A | D4 |
| C 1153 | CHIP CAP. | 7pF | 50V | CH | GRM1552C1H7R0BZ01D | K22178294 | | 1- | A | D3 |
| C 1154 | CHIP CAP. | 22pF | 50V | CH | GRM1552C1H220JZ01D | K22178220 | | 1- | A | D4 |
| C 1155 | CHIP CAP. | 0.001uF | 50V | B | GRM155B11H102KA01D | K22178809 | | 1- | A | D4 |
| C 1156 | CHIP CAP. | 1pF | 50V | CK | GRM1554C1H1R0BZ01D | K22178287 | | 1- | A | D4 |
| C 1158 | CHIP CAP. | 10pF | 50V | CH | GRM1552C1H100BZ01D | K22178297 | | 1- | B | b3 |
| C 1159 | CHIP CAP. | 0.001uF | 50V | B | GRM155B11H102KA01D | K22178809 | | 1- | A | D4 |
| C 1161 | CHIP CAP. | 4pF | 50V | CH | GRM1552C1H4R0BZ01D | K22178291 | | 1 | B | a2 |
| C 1161 | CHIP CAP. | 4pF | 50V | CH | GRM1552C1H4R0BZ01D | K22178291 | AUSTRALIA | 2- | B | a2 |
| C 1161 | CHIP CAP. | 4pF | 50V | CH | GRM1552C1H4R0BZ01D | K22178291 | EUROPE | 2- | B | a2 |
| C 1161 | CHIP CAP. | 4pF | 50V | CH | GRM1552C1H4R0BZ01D | K22178291 | EXPORT | 2- | B | a2 |
| C 1161 | CHIP CAP. | 4pF | 50V | CH | GRM1552C1H4R0BZ01D | K22178291 | USA | 2- | B | a2 |
| C 1162 | CHIP CAP. | 8pF | 50V | CH | GRM1552C1H8R0BZ01D | K22178295 | | 1- | B | a2 |
| C 1165 | CHIP CAP. | 7pF | 50V | CH | GRM1552C1H7R0BZ01D | K22178294 | | 1 | B | a3 |
| C 1165 | CHIP CAP. | 7pF | 50V | CH | GRM1552C1H7R0BZ01D | K22178294 | AUSTRALIA | 2- | B | a3 |
| C 1165 | CHIP CAP. | 7pF | 50V | CH | GRM1552C1H7R0BZ01D | K22178294 | EUROPE | 2- | B | a3 |
| C 1165 | CHIP CAP. | 7pF | 50V | CH | GRM1552C1H7R0BZ01D | K22178294 | EXPORT | 2- | B | a3 |
| C 1165 | CHIP CAP. | 7pF | 50V | CH | GRM1552C1H7R0BZ01D | K22178294 | USA | 2- | B | a3 |
| C 1166 | CHIP CAP. | 15pF | 50V | CH | GRM1552C1H150JZ01D | K22178216 | | 1 | B | a3 |
| C 1166 | CHIP CAP. | 15pF | 50V | CH | GRM1552C1H150JZ01D | K22178216 | AUSTRALIA | 2- | B | a3 |
| C 1166 | CHIP CAP. | 15pF | 50V | CH | GRM1552C1H150JZ01D | K22178216 | EUROPE | 2- | B | a3 |
| C 1166 | CHIP CAP. | 15pF | 50V | CH | GRM1552C1H150JZ01D | K22178216 | EXPORT | 2- | B | a3 |
| C 1166 | CHIP CAP. | 15pF | 50V | CH | GRM1552C1H150JZ01D | K22178216 | USA | 2- | B | a3 |
| C 1168 | CHIP CAP. | 22pF | 50V | CH | GRM1552C1H220JZ01D | K22178220 | | 1- | B | a3 |
| C 1169 | CHIP CAP. | 0.001uF | 50V | B | GRM155B11H102KA01D | K22178809 | | 1- | B | a3 |
| C 1170 | CHIP CAP. | 12pF | 50V | CH | GRM1552C1H120JZ01D | K22178214 | | 1- | B | a3 |
| C 1171 | CHIP CAP. | 4pF | 50V | CH | GRM1552C1H4R0BZ01D | K22178291 | | 1 | B | a3 |
| C 1171 | CHIP CAP. | 4pF | 50V | CH | GRM1552C1H4R0BZ01D | K22178291 | AUSTRALIA | 2- | B | a3 |
| C 1171 | CHIP CAP. | 4pF | 50V | CH | GRM1552C1H4R0BZ01D | K22178291 | EUROPE | 2- | B | a3 |
| C 1171 | CHIP CAP. | 4pF | 50V | CH | GRM1552C1H4R0BZ01D | K22178291 | EXPORT | 2- | B | a3 |
| C 1171 | CHIP CAP. | 4pF | 50V | CH | GRM1552C1H4R0BZ01D | K22178291 | USA | 2- | B | a3 |
| C 1172 | CHIP CAP. | 0.001uF | 50V | B | GRM155B11H102KA01D | K22178809 | | 1- | B | a3 |
| C 1173 | CHIP CAP. | 0.001uF | 50V | B | GRM155B11H102KA01D | K22178809 | | 1- | B | a3 |
| C 1174 | CHIP CAP. | 3pF | 50V | CJ | GRM1553C1H3R0BZ01D | K22178290 | | 1- | B | a3 |
| C 1175 | CHIP CAP. | 7pF | 50V | CH | GRM1552C1H7R0BZ01D | K22178294 | | 1 | B | a3 |
| C 1175 | CHIP CAP. | 7pF | 50V | CH | GRM1552C1H7R0BZ01D | K22178294 | AUSTRALIA | 2- | B | a3 |
| C 1175 | CHIP CAP. | 7pF | 50V | CH | GRM1552C1H7R0BZ01D | K22178294 | EUROPE | 2- | B | a3 |
| C 1175 | CHIP CAP. | 7pF | 50V | CH | GRM1552C1H7R0BZ01D | K22178294 | EXPORT | 2- | B | a3 |

MAIN-Unit

Parts List

| REF | DESCRIPTION | VALUE | V/W | TOL. | MFR'S DESIG | VXSTD P/N | VERS. | LOT | SIDE | LAY ADR |
|--------|-------------|---------|-----|------|--------------------|-----------|-----------|-----|------|---------|
| C 1175 | CHIP CAP. | 7pF | 50V | CH | GRM1552C1H7R0BZ01D | K22178294 | USA | 2- | B | a3 |
| C 1176 | CHIP CAP. | 0.1uF | 10V | B | GRM155B11A104KA01D | K22108802 | | 1- | B | a3 |
| C 1177 | CHIP CAP. | 0.001uF | 50V | B | GRM155B11H102KA01D | K22178809 | | 1- | B | a3 |
| C 1178 | CHIP CAP. | 8pF | 50V | CH | GRM1552C1H8R0BZ01D | K22178295 | | 1- | B | a3 |
| C 1179 | CHIP CAP. | 3pF | 50V | CJ | GRM1553C1H3R0BZ01D | K22178290 | | 1- | B | a3 |
| C 1180 | CHIP CAP. | 0.5pF | 50V | CK | GRM1554C1HR50BZ01D | K22178285 | | 1- | B | a3 |
| C 1181 | CHIP CAP. | 0.001uF | 50V | B | GRM155B11H102KA01D | K22178809 | | 1- | B | a3 |
| C 1182 | CHIP CAP. | 47pF | 50V | CH | GRM1552C1H470JZ01D | K22178228 | | 1- | B | b4 |
| C 1183 | CHIP CAP. | 18pF | 50V | CH | GRM1552C1H180JZ01D | K22178218 | | 1- | B | b4 |
| C 1184 | CHIP CAP. | 0.75pF | 50V | CK | GRM1554C1HR75BZ01D | K22178286 | | 1- | B | a4 |
| C 1185 | CHIP CAP. | 0.75pF | 50V | CK | GRM1554C1HR75BZ01D | K22178286 | | 1- | B | b4 |
| C 1186 | CHIP CAP. | 2pF | 50V | CK | GRM1554C1H2R0BZ01D | K22178289 | | 1- | B | a4 |
| C 1187 | CHIP CAP. | 47pF | 50V | CH | GRM1552C1H470JZ01D | K22178228 | | 1- | B | b4 |
| C 1188 | CHIP CAP. | 0.5pF | 50V | CK | GRM1554C1HR50BZ01D | K22178285 | | 1- | B | b4 |
| C 1189 | CHIP CAP. | 1.5pF | 50V | CK | GRM1554C1H1R5BZ01D | K22178288 | | 1 | B | b4 |
| C 1189 | CHIP CAP. | 1.5pF | 50V | CK | GRM1554C1H1R5BZ01D | K22178288 | AUSTRALIA | 2- | B | b4 |
| C 1189 | CHIP CAP. | 1.5pF | 50V | CK | GRM1554C1H1R5BZ01D | K22178288 | EUROPE | 2- | B | b4 |
| C 1189 | CHIP CAP. | 1.5pF | 50V | CK | GRM1554C1H1R5BZ01D | K22178288 | EXPORT | 2- | B | b4 |
| C 1189 | CHIP CAP. | 1.5pF | 50V | CK | GRM1554C1H1R5BZ01D | K22178288 | USA | 2- | B | b4 |
| C 1190 | CHIP CAP. | 8pF | 50V | CH | GRM1552C1H8R0BZ01D | K22178295 | | 1- | B | b4 |
| C 1191 | CHIP CAP. | 47pF | 50V | CH | GRM1552C1H470JZ01D | K22178228 | | 1- | B | b4 |
| C 1192 | CHIP CAP. | 15pF | 50V | CH | GRM1552C1H150JZ01D | K22178216 | | 1 | B | b4 |
| C 1192 | CHIP CAP. | 15pF | 50V | CH | GRM1552C1H150JZ01D | K22178216 | AUSTRALIA | 2- | B | b4 |
| C 1192 | CHIP CAP. | 15pF | 50V | CH | GRM1552C1H150JZ01D | K22178216 | EUROPE | 2- | B | b4 |
| C 1192 | CHIP CAP. | 15pF | 50V | CH | GRM1552C1H150JZ01D | K22178216 | EXPORT | 2- | B | b4 |
| C 1192 | CHIP CAP. | 15pF | 50V | CH | GRM1552C1H150JZ01D | K22178216 | USA | 2- | B | b4 |
| C 1193 | CHIP CAP. | 0.01uF | 16V | B | GRM36B103K16PT | K22128804 | | 1- | B | b4 |
| C 1193 | CHIP CAP. | 0.01uF | 25V | B | GRM155B11E103KA01D | K22148834 | | 16- | B | b4 |
| C 1194 | CHIP CAP. | 0.001uF | 50V | B | GRM155B11H102KA01D | K22178809 | | 1- | B | b4 |
| C 1195 | CHIP CAP. | 7pF | 50V | CH | GRM1552C1H7R0BZ01D | K22178294 | | 1- | B | b4 |
| C 1196 | CHIP CAP. | 0.001uF | 50V | B | GRM155B11H102KA01D | K22178809 | | 1- | B | b4 |
| C 1197 | CHIP CAP. | 0.001uF | 50V | B | GRM155B11H102KA01D | K22178809 | | 1- | B | a2 |
| C 1198 | CHIP CAP. | 6pF | 50V | CH | GRM1552C1H6R0BZ01D | K22178293 | | 1- | B | a2 |
| C 1199 | CHIP CAP. | 12pF | 50V | CH | GRM1552C1H120JZ01D | K22178214 | | 1- | B | a2 |
| C 1200 | CHIP CAP. | 2pF | 50V | CK | GRM1554C1H2R0BZ01D | K22178289 | | 1- | B | a2 |
| C 1201 | CHIP CAP. | 0.001uF | 50V | B | GRM155B11H102KA01D | K22178809 | | 1- | B | a2 |
| C 1203 | CHIP CAP. | 0.001uF | 50V | B | GRM155B11H102KA01D | K22178809 | | 1- | B | a2 |
| C 1204 | CHIP CAP. | 0.001uF | 50V | B | GRM155B11H102KA01D | K22178809 | | 1- | B | a2 |
| C 1205 | CHIP CAP. | 0.001uF | 50V | B | GRM155B11H102KA01D | K22178809 | | 1- | B | a2 |
| C 1206 | CHIP CAP. | 0.001uF | 50V | B | GRM155B11H102KA01D | K22178809 | | 1- | A | D3 |
| C 1207 | CHIP CAP. | 7pF | 50V | CH | GRM1552C1H7R0BZ01D | K22178294 | | 1- | A | E3 |
| C 1208 | CHIP CAP. | 2pF | 50V | CK | GRM1554C1H2R0BZ01D | K22178289 | | 1- | A | D3 |
| C 1209 | CHIP CAP. | 7pF | 50V | CH | GRM1552C1H7R0BZ01D | K22178294 | | 1- | A | D3 |
| C 1210 | CHIP CAP. | 0.001uF | 50V | B | GRM155B11H102KA01D | K22178809 | | 1- | A | D3 |
| C 1212 | CHIP CAP. | 0.001uF | 50V | B | GRM155B11H102KA01D | K22178809 | | 1- | B | b3 |
| C 1213 | CHIP CAP. | 22pF | 50V | CH | GRM1552C1H220JZ01D | K22178220 | | 1- | A | D3 |
| C 1214 | CHIP CAP. | 0.5pF | 50V | CK | GRM1554C1HR50BZ01D | K22178285 | | 1- | A | D3 |
| C 1215 | CHIP CAP. | 0.001uF | 50V | B | GRM155B11H102KA01D | K22178809 | | 1- | B | b3 |
| C 1216 | CHIP CAP. | 6pF | 50V | CH | GRM1552C1H6R0BZ01D | K22178293 | | 1- | A | D3 |
| C 1217 | CHIP CAP. | 0.001uF | 50V | B | GRM155B11H102KA01D | K22178809 | | 1- | B | a3 |
| C 1218 | CHIP CAP. | 0.001uF | 50V | B | GRM155B11H102KA01D | K22178809 | | 1- | B | b3 |
| C 1219 | CHIP CAP. | 68pF | 50V | CH | GRM1552C1H680JZ01D | K22178232 | | 1- | B | a3 |
| C 1220 | CHIP CAP. | 1.5pF | 50V | CK | GRM1554C1H1R5BZ01D | K22178288 | | 1- | B | a3 |
| C 1221 | CHIP CAP. | 27pF | 50V | CH | GRM1552C1H270JZ01D | K22178222 | | 1- | B | b3 |
| C 1222 | CHIP CAP. | 0.5pF | 50V | CK | GRM1554C1HR50BZ01D | K22178285 | | 1- | B | a3 |
| C 1223 | CHIP CAP. | 0.75pF | 50V | CK | GRM1554C1HR75BZ01D | K22178286 | | 1- | B | b3 |
| C 1224 | CHIP CAP. | 0.5pF | 50V | CK | GRM1554C1HR50BZ01D | K22178285 | | 1- | B | b3 |
| C 1225 | CHIP CAP. | 27pF | 50V | CH | GRM1552C1H270JZ01D | K22178222 | | 1- | B | b3 |
| C 1226 | CHIP CAP. | 1pF | 50V | CK | GRM1554C1H1R0BZ01D | K22178287 | | 1- | B | b3 |
| C 1227 | CHIP CAP. | 0.5pF | 50V | CK | GRM1554C1HR50BZ01D | K22178285 | | 1- | B | b3 |
| C 1228 | CHIP CAP. | 1pF | 50V | CK | GRM1554C1H1R0BZ01D | K22178287 | | 1- | B | b3 |
| C 1229 | CHIP CAP. | 27pF | 50V | CH | GRM1552C1H270JZ01D | K22178222 | | 1- | B | b3 |
| C 1230 | CHIP CAP. | 15pF | 50V | CH | GRM1552C1H150JZ01D | K22178216 | | 1- | B | b3 |
| C 1231 | CHIP CAP. | 0.001uF | 50V | B | GRM155B11H102KA01D | K22178809 | | 1- | B | b3 |
| C 1232 | CHIP CAP. | 0.01uF | 16V | B | GRM36B103K16PT | K22128804 | | 1- | B | b3 |
| C 1232 | CHIP CAP. | 0.01uF | 25V | B | GRM155B11E103KA01D | K22148834 | | 16- | B | b3 |
| C 1233 | CHIP CAP. | 0.001uF | 50V | B | GRM155B11H102KA01D | K22178809 | | 1- | B | b3 |
| C 1234 | CHIP CAP. | 2pF | 50V | CK | GRM1554C1H2R0BZ01D | K22178289 | | 1- | B | b3 |
| C 1235 | CHIP CAP. | 0.001uF | 50V | B | GRM155B11H102KA01D | K22178809 | | 1- | B | b3 |
| C 1236 | CHIP CAP. | 15pF | 50V | CH | GRM1552C1H150JZ01D | K22178216 | | 1- | B | a2 |

MAIN-Unit

Parts List

| REF | DESCRIPTION | VALUE | V/W | TOL. | MFR'S DESIG | VXSTD P/N | VERS. | LOT | SIDE | LAY ADR |
|--------|--------------|---------|------|------|--------------------|-----------|-------|-----|------|---------|
| C 1238 | CHIP CAP. | 100pF | 50V | CH | GRM1552C1H101JD01D | K22178236 | | 1- | A | E4 |
| C 1240 | CHIP CAP. | 0.001uF | 50V | B | GRM155B11H102KA01D | K22178809 | | 1- | B | a4 |
| C 1241 | CHIP CAP. | 1uF | 6.3V | B | GRM155B30J105KE18D | K22088803 | | 1- | B | a4 |
| C 1242 | CHIP TA.CAP. | 10uF | 10V | | TEESVA1A106M8R | K78100028 | | 1- | B | a4 |
| C 1243 | CHIP CAP. | 0.1uF | 10V | B | GRM155B11A104KA01D | K22108802 | | 1- | B | a4 |
| C 1244 | CHIP CAP. | 18pF | 200V | CH | GRM2192C2D180JV01D | K22230219 | | 1- | A | C2 |
| C 1247 | CHIP CAP. | 220pF | 25V | CH | GRM36CH221J25PT | K22148203 | | 1- | B | a2 |
| C 1247 | CHIP CAP. | 220pF | 50V | CH | GRM1552C1H221JA01D | K22179713 | | 16- | B | a2 |
| C 1250 | CHIP CAP. | 0.001uF | 50V | B | GRM188B11H102KA01D | K22174821 | | 1- | B | d2 |
| C 1253 | CHIP CAP. | 1uF | 6.3V | B | GRM155B30J105KE18D | K22088803 | | 5- | A | E4 |
| C 1301 | CHIP CAP. | 0.001uF | 50V | B | GRM155B11H102KA01D | K22178809 | | 1- | B | b4 |
| C 1302 | CHIP CAP. | 0.001uF | 50V | B | GRM155B11H102KA01D | K22178809 | | 1- | A | C4 |
| C 1303 | CHIP CAP. | 1uF | 6.3V | B | GRM155B30J105KE18D | K22088803 | | 1- | A | C4 |
| C 1304 | CHIP CAP. | 100pF | 50V | UJ | GRM1553U1H101JZ01D | K22178323 | | 1- | A | C4 |
| C 1305 | CHIP CAP. | 8pF | 50V | UJ | GRM1553U1H8R0DZ01D | K22178309 | | 1- | A | C4 |
| C 1306 | CHIP CAP. | 5pF | 50V | CH | GRM1552C1H5R0BZ01D | K22178292 | | 1- | A | C4 |
| C 1307 | CHIP CAP. | 47pF | 50V | UJ | GRM1553U1H470JZ01D | K22178319 | | 1- | A | C5 |
| C 1308 | CHIP CAP. | 10pF | 50V | UJ | GRP1553U1H100JZ01E | K22178311 | | 1- | A | D4 |
| C 1309 | CHIP CAP. | 0.1uF | 10V | B | GRM155B11A104KA01D | K22108802 | | 1- | A | D5 |
| C 1310 | CHIP CAP. | 0.1uF | 10V | B | GRM155B11A104KA01D | K22108802 | | 1- | B | b5 |
| C 1311 | CHIP CAP. | 0.1uF | 10V | B | GRM155B11A104KA01D | K22108802 | | 1- | B | d5 |
| C 1312 | CHIP CAP. | 0.001uF | 50V | B | GRM155B11H102KA01D | K22178809 | | 1- | A | C4 |
| C 1313 | CHIP TA.CAP. | 10uF | 10V | | TEESVA1A106M8R | K78100028 | | 1- | A | C4 |
| C 1314 | CHIP CAP. | 0.01uF | 16V | B | GRM36B103K16PT | K22128804 | | 1- | A | C4 |
| C 1314 | CHIP CAP. | 0.01uF | 25V | B | GRM155B11E103KA01D | K22148834 | | 16- | A | C4 |
| C 1315 | CHIP CAP. | 0.047uF | 10V | B | GRM155B11A473KA01D | K22108801 | | 1- | B | b4 |
| C 1316 | CHIP CAP. | 1uF | 10V | F | GRM188F11A105ZA01D | K22105001 | | 1- | A | C4 |
| C 1317 | CHIP CAP. | 1uF | 10V | F | GRM188F11A105ZA01D | K22105001 | | 1- | B | c5 |
| C 1318 | CHIP CAP. | 33pF | 50V | CH | GRM1552C1H330JZ01D | K22178224 | | 1- | A | C5 |
| C 1319 | CHIP CAP. | 33pF | 50V | CH | GRM1552C1H330JZ01D | K22178224 | | 1- | A | C5 |
| C 1320 | CHIP CAP. | 33pF | 50V | CH | GRM1552C1H330JZ01D | K22178224 | | 1- | A | C5 |
| C 1321 | CHIP CAP. | 22pF | 50V | CH | GRM1552C1H220JZ01D | K22178220 | | 1- | A | C5 |
| C 1322 | CHIP TA.CAP. | 0.1uF | 20V | | SKF-1D104M-RP | K78130049 | | 1- | A | C5 |
| C 1323 | CHIP CAP. | 100pF | 50V | CH | GRM1552C1H101JD01D | K22178236 | | 1- | A | C4 |
| C 1324 | CHIP CAP. | 0.1uF | 10V | B | GRM155B11A104KA01D | K22108802 | | 1- | A | C4 |
| C 1325 | CHIP CAP. | 0.22uF | 10V | B | GRM155B31A224KE18D | K22108808 | | 1- | A | C4 |
| C 1326 | CHIP TA.CAP. | 6.8uF | 10V | | TEESVA1A685M8R | K78100027 | | 1- | A | C4 |
| C 1327 | CHIP TA.CAP. | 0.1uF | 20V | | SKF-1D104M-RP | K78130049 | | 1- | A | C4 |
| C 1328 | CHIP CAP. | 7pF | 50V | CH | GRM1552C1H7R0BZ01D | K22178294 | | 1- | A | C4 |
| C 1329 | CHIP CAP. | 0.001uF | 50V | B | GRM155B11H102KA01D | K22178809 | | 1- | A | C4 |
| C 1330 | CHIP CAP. | 0.001uF | 50V | B | GRM155B11H102KA01D | K22178809 | | 1- | A | C4 |
| C 1331 | CHIP CAP. | 2pF | 50V | CK | GRM1554C1H2R0BZ01D | K22178289 | | 1- | A | C4 |
| C 1332 | CHIP CAP. | 0.001uF | 50V | B | GRM155B11H102KA01D | K22178809 | | 1- | B | c4 |
| C 1334 | CHIP CAP. | 2pF | 50V | CK | GRM1554C1H2R0BZ01D | K22178289 | | 1- | B | c4 |
| C 1335 | CHIP CAP. | 18pF | 50V | CH | GRM1552C1H180JZ01D | K22178218 | | 1- | B | c4 |
| C 1336 | CHIP CAP. | 18pF | 50V | CH | GRM1552C1H180JZ01D | K22178218 | | 1- | B | c4 |
| C 1337 | CHIP CAP. | 0.001uF | 50V | B | GRM188B11H102KA01D | K22174821 | | 1- | B | c4 |
| C 1338 | CHIP CAP. | 27pF | 50V | CH | GRM1552C1H270JZ01D | K22178222 | | 1- | B | c4 |
| C 1339 | CHIP CAP. | 0.001uF | 50V | B | GRM155B11H102KA01D | K22178809 | | 1- | B | c4 |
| C 1340 | CHIP CAP. | 0.001uF | 50V | B | GRM155B11H102KA01D | K22178809 | | 1- | B | c4 |
| C 1341 | CHIP CAP. | 0.001uF | 50V | B | GRM155B11H102KA01D | K22178809 | | 1- | A | C5 |
| C 1342 | CHIP CAP. | 0.001uF | 50V | B | GRM155B11H102KA01D | K22178809 | | 1- | B | c5 |
| C 1343 | CHIP CAP. | 0.001uF | 50V | B | GRM155B11H102KA01D | K22178809 | | 1- | A | C4 |
| C 1344 | CHIP CAP. | 0.001uF | 50V | B | GRM155B11H102KA01D | K22178809 | | 1- | A | B4 |
| C 1345 | CHIP CAP. | 0.001uF | 50V | B | GRM155B11H102KA01D | K22178809 | | 1- | A | C4 |
| C 1346 | CHIP CAP. | 3pF | 50V | CJ | GRM1553C1H3R0BZ01D | K22178290 | | 1- | A | C4 |
| C 1347 | CHIP CAP. | 0.001uF | 50V | B | GRM155B11H102KA01D | K22178809 | | 1- | B | c4 |
| C 1349 | CHIP CAP. | 1pF | 50V | CK | GRM1554C1H1R0BZ01D | K22178287 | | 1- | B | c4 |
| C 1350 | CHIP CAP. | 18pF | 50V | CH | GRM1552C1H180JZ01D | K22178218 | | 1- | B | c4 |
| C 1351 | CHIP CAP. | 9pF | 50V | CH | GRM1552C1H9R0BZ01D | K22178296 | | 1- | B | c4 |
| C 1352 | CHIP CAP. | 0.001uF | 50V | B | GRM188B11H102KA01D | K22174821 | | 1- | B | c4 |
| C 1353 | CHIP CAP. | 22pF | 50V | CH | GRM1552C1H220JZ01D | K22178220 | | 1- | B | c4 |
| C 1354 | CHIP CAP. | 0.001uF | 50V | B | GRM155B11H102KA01D | K22178809 | | 1- | B | c4 |
| C 1355 | CHIP CAP. | 0.001uF | 50V | B | GRM155B11H102KA01D | K22178809 | | 1- | B | c4 |
| C 1356 | CHIP CAP. | 0.001uF | 50V | B | GRM155B11H102KA01D | K22178809 | | 1- | B | c5 |
| C 1357 | CHIP CAP. | 0.001uF | 50V | B | GRM155B11H102KA01D | K22178809 | | 1- | A | B4 |
| C 1358 | CHIP CAP. | 0.001uF | 50V | B | GRM155B11H102KA01D | K22178809 | | 1- | A | B4 |
| C 1359 | CHIP TA.CAP. | 10uF | 10V | | TEESVA1A106M8R | K78100028 | | 1- | B | C3 |
| C 1360 | CHIP CAP. | 0.001uF | 50V | B | GRM155B11H102KA01D | K22178809 | | 1- | B | b4 |
| C 1361 | CHIP CAP. | 0.1uF | 10V | B | GRM155B11A104KA01D | K22108802 | | 1- | B | b4 |

MAIN-Unit

Parts List

| REF | DESCRIPTION | VALUE | V/W | TOL. | MFR'S DESIG | VXSTD P/N | VERS. | LOT | SIDE | LAY ADR |
|--------|--------------|----------|------|------|--------------------|-----------|-------|-----|------|---------|
| C 1362 | CHIP CAP. | 0.001uF | 50V | B | GRM155B11H102KA01D | K22178809 | | 1- | B | b4 |
| C 1363 | CHIP CAP. | 0.001uF | 50V | B | GRM155B11H102KA01D | K22178809 | | 1- | B | c4 |
| C 1364 | CHIP CAP. | 0.001uF | 50V | B | GRM155B11H102KA01D | K22178809 | | 1- | B | b4 |
| C 1365 | CHIP CAP. | 1uF | 6.3V | B | GRM155B30J105KE18D | K22088803 | | 1- | B | b3 |
| C 1366 | CHIP CAP. | 0.01uF | 16V | B | GRM36B103K16PT | K22128804 | | 1- | B | c4 |
| C 1366 | CHIP CAP. | 0.01uF | 25V | B | GRM155B11E103KA01D | K22148834 | | 16- | B | c4 |
| C 1367 | CHIP CAP. | 0.01uF | 16V | B | GRM36B103K16PT | K22128804 | | 1- | B | c3 |
| C 1367 | CHIP CAP. | 0.01uF | 25V | B | GRM155B11E103KA01D | K22148834 | | 16- | B | c3 |
| C 1368 | CHIP CAP. | 1.5pF | 50V | CK | GRM1554C1H1R5BZ01D | K22178288 | | 1- | B | c4 |
| C 1369 | CHIP CAP. | 8pF | 50V | UJ | GRM1553U1H8R0DZ01D | K22178309 | | 1- | A | C4 |
| C 1370 | CHIP CAP. | 5pF | 50V | CH | GRM1552C1H5R0BZ01D | K22178292 | | 1- | A | C5 |
| C 1398 | CHIP CAP. | 0.01uF | 25V | B | GRM155B11E103KA01D | K22148834 | | 34- | A | E5 |
| C 1399 | CHIP CAP. | 0.01uF | 25V | B | GRM155B11E103KA01D | K22148834 | | 34- | A | E5 |
| C 1401 | CHIP CAP. | 0.47uF | 6.3V | B | GRM155B30J474KE18D | K22088802 | | 1- | A | E4 |
| C 1402 | CHIP CAP. | 1pF | 50V | CK | GRM1554C1H1R0BZ01D | K22178287 | | 1- | A | D5 |
| C 1403 | CHIP CAP. | 24pF | 50V | CH | GRM1552C1H240JZ01D | K22178221 | | 1- | A | D4 |
| C 1404 | CHIP CAP. | 0.01uF | 16V | B | GRM36B103K16PT | K22128804 | | 1- | A | D4 |
| C 1404 | CHIP CAP. | 0.01uF | 25V | B | GRM155B11E103KA01D | K22148834 | | 16- | A | D4 |
| C 1405 | CHIP CAP. | 27pF | 50V | CH | GRM1552C1H270JZ01D | K22178222 | | 1- | A | D4 |
| C 1406 | CHIP CAP. | 0.01uF | 16V | B | GRM36B103K16PT | K22128804 | | 1- | A | D4 |
| C 1406 | CHIP CAP. | 0.01uF | 25V | B | GRM155B11E103KA01D | K22148834 | | 16- | A | D4 |
| C 1407 | CHIP CAP. | 1pF | 50V | CK | GRM1554C1H1R0BZ01D | K22178287 | | 1- | A | D4 |
| C 1408 | CHIP CAP. | 0.01uF | 16V | B | GRM36B103K16PT | K22128804 | | 1- | A | D4 |
| C 1408 | CHIP CAP. | 0.01uF | 25V | B | GRM155B11E103KA01D | K22148834 | | 16- | A | D4 |
| C 1409 | CHIP CAP. | 82pF | 50V | CH | GRM1552C1H820JD01D | K22178234 | | 1- | A | D4 |
| C 1410 | CHIP CAP. | 10pF | 50V | CH | GRM1552C1H100BZ01D | K22178297 | | 1- | A | D4 |
| C 1411 | CHIP CAP. | 0.01uF | 16V | B | GRM36B103K16PT | K22128804 | | 1- | A | D4 |
| C 1411 | CHIP CAP. | 0.01uF | 25V | B | GRM155B11E103KA01D | K22148834 | | 16- | A | D4 |
| C 1412 | CHIP CAP. | 0.01uF | 16V | B | GRM36B103K16PT | K22128804 | | 1- | A | D4 |
| C 1412 | CHIP CAP. | 0.01uF | 25V | B | GRM155B11E103KA01D | K22148834 | | 16- | A | D4 |
| C 1413 | CHIP CAP. | 68pF | 50V | CH | GRM1552C1H680JZ01D | K22178232 | | 1- | A | D4 |
| C 1414 | CHIP CAP. | 56pF | 50V | CH | GRM1552C1H560JD01D | K22178230 | | 1- | A | D4 |
| C 1415 | CHIP CAP. | 0.1uF | 10V | B | GRM155B11A104KA01D | K22108802 | | 1- | B | b5 |
| C 1416 | CHIP CAP. | 0.01uF | 16V | B | GRM36B103K16PT | K22128804 | | 1- | A | D4 |
| C 1416 | CHIP CAP. | 0.01uF | 25V | B | GRM155B11E103KA01D | K22148834 | | 16- | A | D4 |
| C 1417 | CHIP CAP. | 15pF | 50V | CH | GRM1552C1H150JZ01D | K22178216 | | 1- | A | D4 |
| C 1418 | CHIP CAP. | 33pF | 50V | CH | GRM1552C1H330JZ01D | K22178224 | | 1- | A | D4 |
| C 1419 | CHIP CAP. | 0.01uF | 16V | B | GRM36B103K16PT | K22128804 | | 1- | A | D4 |
| C 1419 | CHIP CAP. | 0.01uF | 25V | B | GRM155B11E103KA01D | K22148834 | | 16- | A | D4 |
| C 1420 | CHIP CAP. | 12pF | 50V | CH | GRM1552C1H120JZ01D | K22178214 | | 1- | A | D4 |
| C 1421 | CHIP CAP. | 8pF | 50V | CH | GRM1552C1H8R0BZ01D | K22178295 | | 1- | B | b4 |
| C 1422 | CHIP CAP. | 4pF | 50V | CH | GRM1552C1H4R0BZ01D | K22178291 | | 1- | A | D4 |
| C 1423 | CHIP CAP. | 0.001uF | 50V | B | GRM155B11H102KA01D | K22178809 | | 1- | A | D4 |
| C 1424 | CHIP CAP. | 0.1uF | 10V | B | GRM155B11A104KA01D | K22108802 | | 1- | A | D4 |
| C 1425 | CHIP CAP. | 0.1uF | 10V | B | GRM155B11A104KA01D | K22108802 | | 1- | A | D5 |
| C 1426 | CHIP CAP. | 0.01uF | 16V | B | GRM36B103K16PT | K22128804 | | 1- | A | D4 |
| C 1426 | CHIP CAP. | 0.01uF | 25V | B | GRM155B11E103KA01D | K22148834 | | 16- | A | D4 |
| C 1427 | CHIP CAP. | 22pF | 50V | CH | GRM1552C1H220JZ01D | K22178220 | | 1- | A | D4 |
| C 1428 | CHIP CAP. | 0.01uF | 16V | B | GRM36B103K16PT | K22128804 | | 1- | A | D4 |
| C 1428 | CHIP CAP. | 0.01uF | 25V | B | GRM155B11E103KA01D | K22148834 | | 16- | A | D4 |
| C 1429 | CHIP CAP. | 0.001uF | 50V | B | GRM155B11H102KA01D | K22178809 | | 1- | A | E4 |
| C 1430 | CHIP TA.CAP. | 22uF | 6.3V | | TEESVA0J226M8R | K78080047 | | 1- | B | a4 |
| C 1431 | CHIP CAP. | 0.01uF | 16V | B | GRM36B103K16PT | K22128804 | | 1- | B | a4 |
| C 1431 | CHIP CAP. | 0.01uF | 25V | B | GRM155B11E103KA01D | K22148834 | | 16- | B | a4 |
| C 1432 | CHIP TA.CAP. | 10uF | 10V | | TAJA106M010Y | K78100072 | | 1- | B | a4 |
| C 1433 | CHIP CAP. | 470pF | 50V | B | GRM155B11H471KA01D | K22178805 | | 1- | B | a4 |
| C 1434 | CHIP CAP. | 470pF | 50V | B | GRM155B11H471KA01D | K22178805 | | 1- | B | a4 |
| C 1435 | CHIP CAP. | 0.0047uF | 25V | B | GRM36B472K25PT | K22148830 | | 1- | B | a4 |
| C 1435 | CHIP CAP. | 0.0047uF | 50V | B | GRM155B11H472KA01D | K22178838 | | 16- | B | a4 |
| C 1437 | CHIP CAP. | 0.001uF | 50V | B | GRM155B11H102KA01D | K22178809 | | 1- | B | a5 |
| C 1438 | CHIP CAP. | 0.001uF | 50V | B | GRM155B11H102KA01D | K22178809 | | 1- | A | E4 |
| C 1439 | CHIP CAP. | 0.0022uF | 50V | B | GRM155B11H222KA01D | K22178813 | | 1- | B | a5 |
| C 1440 | CHIP CAP. | 330pF | 50V | B | GRM155B11H331KA01D | K22178803 | | 1- | B | a4 |
| C 1441 | CHIP CAP. | 22pF | 50V | CH | GRM1552C1H220JZ01D | K22178220 | | 1- | A | E4 |
| C 1442 | CHIP CAP. | 100pF | 50V | CH | GRM1552C1H101JD01D | K22178236 | | 1- | A | E4 |
| C 1443 | CHIP CAP. | 0.1uF | 10V | B | GRM155B11A104KA01D | K22108802 | | 1- | B | a5 |
| C 1444 | CHIP CAP. | 0.01uF | 16V | B | GRM36B103K16PT | K22128804 | | 1- | A | E5 |
| C 1444 | CHIP CAP. | 0.01uF | 25V | B | GRM155B11E103KA01D | K22148834 | | 16- | A | E5 |
| C 1445 | CHIP CAP. | 0.1uF | 10V | B | GRM155B11A104KA01D | K22108802 | | 1- | B | a4 |
| C 1446 | CHIP CAP. | 0.01uF | 16V | B | GRM36B103K16PT | K22128804 | | 1- | A | E5 |

MAIN-Unit

Parts List

| REF | DESCRIPTION | VALUE | V/W | TOL. | MFR'S DESIG | VXSTD P/N | VERS. | LOT | SIDE | LAY ADR |
|--------|-------------|----------|------|------|--------------------|-----------|-------|-----|------|---------|
| C 1446 | CHIP CAP. | 0.01uF | 25V | B | GRM155B11E103KA01D | K22148834 | | 16- | A | E5 |
| C 1447 | CHIP CAP. | 0.01uF | 16V | B | GRM36B103K16PT | K22128804 | | 1- | A | E5 |
| C 1447 | CHIP CAP. | 0.01uF | 25V | B | GRM155B11E103KA01D | K22148834 | | 16- | A | E5 |
| C 1448 | CHIP CAP. | 0.1uF | 10V | B | GRM155B11A104KA01D | K22108802 | | 1- | A | D4 |
| C 1449 | CHIP CAP. | 1uF | 6.3V | B | GRM155B30J105KE18D | K22088803 | | 1- | A | E5 |
| C 1450 | CHIP CAP. | 0.1uF | 10V | B | GRM155B11A104KA01D | K22108802 | | 1- | A | A5 |
| C 1451 | CHIP CAP. | 1uF | 10V | F | GRM188F11A105ZA01D | K22105001 | | 1- | A | A4 |
| C 1452 | CHIP CAP. | 1uF | 10V | F | GRM188F11A105ZA01D | K22105001 | | 1- | A | A4 |
| C 1453 | CHIP CAP. | 1uF | 10V | F | GRM188F11A105ZA01D | K22105001 | | 1- | A | A4 |
| C 1454 | CHIP CAP. | 1uF | 10V | F | GRM188F11A105ZA01D | K22105001 | | 1- | A | A4 |
| C 1455 | CHIP CAP. | 0.1uF | 10V | B | GRM155B11A104KA01D | K22108802 | | 1- | B | b5 |
| C 1456 | CHIP CAP. | 0.01uF | 16V | B | GRM36B103K16PT | K22128804 | | 1- | B | a5 |
| C 1456 | CHIP CAP. | 0.01uF | 25V | B | GRM155B11E103KA01D | K22148834 | | 16- | B | a5 |
| C 1457 | CHIP CAP. | 0.0022uF | 50V | B | GRM155B11H222KA01D | K22178813 | | 1- | B | a5 |
| C 1458 | CHIP CAP. | 0.1uF | 10V | B | GRM155B11A104KA01D | K22108802 | | 1- | B | a5 |
| C 1459 | CHIP CAP. | 1uF | 6.3V | B | GRM155B30J105KE18D | K22088803 | | 1- | B | b4 |
| C 1460 | CHIP CAP. | 0.001uF | 50V | B | GRM155B11H102KA01D | K22178809 | | 1- | B | a4 |
| C 1461 | CHIP CAP. | 0.1uF | 10V | B | GRM155B11A104KA01D | K22108802 | | 1- | B | a4 |
| C 1462 | CHIP CAP. | 0.0056uF | 25V | B | GRM155B11E562KA01D | K22148802 | | 1- | B | a4 |
| C 1463 | CHIP CAP. | 1uF | 6.3V | B | GRM155B30J105KE18D | K22088803 | | 1- | B | a4 |
| C 1464 | CHIP CAP. | 0.01uF | 16V | B | GRM36B103K16PT | K22128804 | | 1- | B | a4 |
| C 1464 | CHIP CAP. | 0.01uF | 25V | B | GRM155B11E103KA01D | K22148834 | | 16- | B | a4 |
| C 1465 | CHIP CAP. | 0.1uF | 10V | B | GRM155B11A104KA01D | K22108802 | | 1- | B | a4 |
| C 1466 | CHIP CAP. | 0.1uF | 10V | B | GRM155B11A104KA01D | K22108802 | | 1- | A | D5 |
| C 1466 | CHIP CAP. | 0.047uF | 10V | B | GRM155B11A473KA01D | K22108801 | | 5- | A | D5 |
| C 1467 | CHIP CAP. | 0.047uF | 10V | B | GRM155B11A473KA01D | K22108801 | | 1- | A | D5 |
| C 1468 | CHIP CAP. | 0.01uF | 16V | B | GRM36B103K16PT | K22128804 | | 1- | A | A5 |
| C 1468 | CHIP CAP. | 0.01uF | 25V | B | GRM155B11E103KA01D | K22148834 | | 16- | A | A5 |
| C 1469 | CHIP CAP. | 0.1uF | 10V | B | GRM155B11A104KA01D | K22108802 | | 1- | A | D5 |
| C 1470 | CHIP CAP. | 0.0022uF | 50V | B | GRM155B11H222KA01D | K22178813 | | 1- | A | C5 |
| C 1471 | CHIP CAP. | 150pF | 50V | CH | GRM1552C1H151JA01D | K22178240 | | 1- | A | C5 |
| C 1472 | CHIP CAP. | 0.0047uF | 25V | B | GRM36B472K25PT | K22148830 | | 1- | A | B3 |
| C 1472 | CHIP CAP. | 0.0047uF | 50V | B | GRM155B11H472KA01D | K22178838 | | 16- | A | B3 |
| C 1473 | CHIP CAP. | 0.0047uF | 25V | B | GRM36B472K25PT | K22148830 | | 1- | A | B3 |
| C 1473 | CHIP CAP. | 0.0047uF | 50V | B | GRM155B11H472KA01D | K22178838 | | 16- | A | B3 |
| C 1474 | CHIP CAP. | 1uF | 6.3V | B | GRM155B30J105KE18D | K22088803 | | 1- | A | B3 |
| C 1475 | CHIP CAP. | 0.01uF | 16V | B | GRM36B103K16PT | K22128804 | | 1- | B | c5 |
| C 1475 | CHIP CAP. | 0.01uF | 25V | B | GRM155B11E103KA01D | K22148834 | | 16- | B | c5 |
| C 1476 | CHIP CAP. | 0.0047uF | 25V | B | GRM36B472K25PT | K22148830 | | 1- | A | C5 |
| C 1476 | CHIP CAP. | 0.0047uF | 50V | B | GRM155B11H472KA01D | K22178838 | | 16- | A | C5 |
| C 1477 | CHIP CAP. | 680pF | 50V | B | GRM155B11H681KA01D | K22178807 | | 1- | A | C5 |
| C 1478 | CHIP CAP. | 470pF | 50V | B | GRM155B11H471KA01D | K22178805 | | 1- | B | c5 |
| C 1479 | CHIP CAP. | 0.022uF | 16V | B | GRM155B11C223KA01D | K22128806 | | 1- | A | C5 |
| C 1480 | CHIP CAP. | 0.0068uF | 25V | B | GRM155B11E682KA01D | K22148803 | | 1- | A | C6 |
| C 1481 | CHIP CAP. | 680pF | 50V | B | GRM155B11H681KA01D | K22178807 | | 1- | B | c6 |
| C 1482 | CHIP CAP. | 330pF | 50V | B | GRM155B11H331KA01D | K22178803 | | 1- | A | C6 |
| C 1483 | CHIP CAP. | 0.022uF | 16V | B | GRM155B11C223KA01D | K22128806 | | 1- | B | c6 |
| C 1484 | CHIP CAP. | 0.0047uF | 25V | B | GRM36B472K25PT | K22148830 | | 1- | A | C6 |
| C 1484 | CHIP CAP. | 0.0047uF | 50V | B | GRM155B11H472KA01D | K22178838 | | 16- | A | C6 |
| C 1485 | CHIP CAP. | 0.47uF | 6.3V | B | GRM155B30J474KE18D | K22088802 | | 1- | A | C6 |
| C 1486 | CHIP CAP. | 12pF | 50V | CH | GRM1552C1H120JZ01D | K22178214 | | 1- | A | D4 |
| C 1487 | CHIP CAP. | 100pF | 50V | CH | GRM1552C1H101JD01D | K22178236 | | 1- | A | D4 |
| C 1488 | CHIP CAP. | 0.022uF | 16V | B | GRM155B11C223KA01D | K22128806 | | 1- | B | c5 |
| C 1489 | CHIP CAP. | 0.0047uF | 25V | B | GRM36B472K25PT | K22148830 | | 1- | A | B3 |
| C 1489 | CHIP CAP. | 0.0047uF | 50V | B | GRM155B11H472KA01D | K22178838 | | 16- | A | B3 |
| C 1490 | CHIP CAP. | 33pF | 50V | CH | GRM1552C1H330JZ01D | K22178224 | | 1- | A | D4 |
| C 1492 | CHIP CAP. | 0.01uF | 16V | B | GRM36B103K16PT | K22128804 | | 1- | A | D5 |
| C 1492 | CHIP CAP. | 0.01uF | 25V | B | GRM155B11E103KA01D | K22148834 | | 16- | A | D5 |
| C 1493 | CHIP CAP. | 0.47uF | 25V | B | GRM21BB11E474KC01L | K22140824 | | 1- | B | b4 |
| C 1501 | CHIP CAP. | 0.0047uF | 25V | B | GRM36B472K25PT | K22148830 | | 1- | B | d5 |
| C 1501 | CHIP CAP. | 0.0047uF | 50V | B | GRM155B11H472KA01D | K22178838 | | 16- | B | d5 |
| C 1502 | CHIP CAP. | 0.0012uF | 50V | B | GRM155B11H122KA01 | K22178810 | | 1- | B | d5 |
| C 1503 | CHIP CAP. | 820pF | 50V | B | GRM155B11H821KA01D | K22178808 | | 1- | B | d5 |
| C 1504 | CHIP CAP. | 47pF | 50V | CH | GRM1552C1H470JZ01D | K22178228 | | 1- | B | d5 |
| C 1505 | CHIP CAP. | 1uF | 6.3V | B | GRM155B30J105KE18D | K22088803 | | 1- | B | d5 |
| C 1506 | CHIP CAP. | 36pF | 50V | CH | GRM1552C1H360JZ01D | K22178225 | | 1- | B | d4 |
| C 1507 | CHIP CAP. | 0.001uF | 50V | B | GRM155B11H102KA01D | K22178809 | | 1- | B | d4 |
| C 1508 | CHIP CAP. | 560pF | 50V | B | GRM155B11H561KD01 | K22178806 | | 1- | B | d4 |
| C 1509 | CHIP CAP. | 0.1uF | 10V | B | GRM155B11A104KA01D | K22108802 | | 1- | B | d4 |
| C 1510 | CHIP CAP. | 15pF | 50V | CH | GRM1552C1H150GZ01 | K22178300 | | 1- | B | d4 |

MAIN-Unit

Parts List

| REF | DESCRIPTION | VALUE | V/W | TOL. | MFR'S DESIG | VXSTD P/N | VERS. | LOT | SIDE | LAY ADR |
|--------|--------------|----------|------|------|--------------------|-----------|-------|-----|------|---------|
| C 1511 | CHIP CAP. | 1uF | 6.3V | B | GRM155B30J105KE18D | K22088803 | | 1- | B | d4 |
| C 1512 | CHIP CAP. | 0.0047uF | 25V | B | GRM36B472K25PT | K22148830 | | 1- | B | d4 |
| C 1512 | CHIP CAP. | 0.0047uF | 50V | B | GRM155B11H472KA01D | K22178838 | | 16- | B | d4 |
| C 1513 | CHIP CAP. | 1uF | 6.3V | B | GRM155B30J105KE18D | K22088803 | | 1- | A | C5 |
| C 1514 | CHIP CAP. | 100pF | 50V | CH | GRM1552C1H101JD01D | K22178236 | | 1- | B | c6 |
| C 1515 | CHIP CAP. | 0.1uF | 10V | B | GRM155B11A104KA01D | K22108802 | | 1- | B | c6 |
| C 1516 | CHIP CAP. | 1uF | 6.3V | B | GRM155B30J105KE18D | K22088803 | | 1- | B | c5 |
| C 1517 | CHIP CAP. | 1uF | 6.3V | B | GRM155B30J105KE18D | K22088803 | | 1- | B | c5 |
| C 1518 | CHIP TA.CAP. | 10uF | 10V | | TEESVA1A106M8R | K78100028 | | 1- | B | c5 |
| C 1519 | CHIP CAP. | 150pF | 50V | CH | GRM1552C1H151JA01D | K22178240 | | 1- | B | c5 |
| C 1520 | CHIP CAP. | 0.0047uF | 25V | B | GRM36B472K25PT | K22148830 | | 1- | B | c5 |
| C 1520 | CHIP CAP. | 0.0047uF | 50V | B | GRM155B11H472KA01D | K22178838 | | 16- | B | c5 |
| C 1521 | CHIP CAP. | 0.001uF | 50V | B | GRM155B11H102KA01D | K22178809 | | 1- | B | c5 |
| C 1523 | CHIP CAP. | 100pF | 50V | CH | GRM1552C1H101JD01D | K22178236 | | 1- | B | d3 |
| C 1524 | CHIP CAP. | 1uF | 6.3V | B | GRM155B30J105KE18D | K22088803 | | 1- | B | d4 |
| C 1525 | CHIP TA.CAP. | 22uF | 6.3V | | TEESVA0J226M8R | K78080047 | | 1- | B | d4 |
| C 1526 | CHIP CAP. | 0.01uF | 16V | B | GRM36B103K16PT | K22128804 | | 1- | B | d4 |
| C 1526 | CHIP CAP. | 0.01uF | 25V | B | GRM155B11E103KA01D | K22148834 | | 16- | B | d4 |
| C 1527 | CHIP CAP. | 1uF | 6.3V | B | GRM155B30J105KE18D | K22088803 | | 1- | B | d4 |
| C 1528 | CHIP CAP. | 0.0033uF | 50V | B | GRM155B11H332KA01D | K22178815 | | 1- | B | d4 |
| C 1529 | CHIP CAP. | 0.01uF | 16V | B | GRM36B103K16PT | K22128804 | | 1- | B | d4 |
| C 1529 | CHIP CAP. | 0.01uF | 25V | B | GRM155B11E103KA01D | K22148834 | | 16- | B | d4 |
| C 1530 | CHIP CAP. | 0.01uF | 16V | B | GRM36B103K16PT | K22128804 | | 1- | B | d3 |
| C 1530 | CHIP CAP. | 0.01uF | 25V | B | GRM155B11E103KA01D | K22148834 | | 16- | B | d3 |
| C 1531 | CHIP CAP. | 0.0022uF | 50V | B | GRM155B11H222KA01D | K22178813 | | 1- | B | d3 |
| C 1532 | CHIP CAP. | 0.01uF | 16V | B | GRM36B103K16PT | K22128804 | | 1- | B | d4 |
| C 1532 | CHIP CAP. | 0.01uF | 25V | B | GRM155B11E103KA01D | K22148834 | | 16- | B | d4 |
| C 1533 | CHIP CAP. | 0.1uF | 10V | B | GRM155B11A104KA01D | K22108802 | | 1- | A | B4 |
| C 1534 | CHIP CAP. | 1uF | 6.3V | B | GRM155B30J105KE18D | K22088803 | | 1- | A | B4 |
| C 1535 | CHIP CAP. | 0.01uF | 16V | B | GRM36B103K16PT | K22128804 | | 1- | B | d4 |
| C 1535 | CHIP CAP. | 0.01uF | 25V | B | GRM155B11E103KA01D | K22148834 | | 16- | B | d4 |
| C 1536 | CHIP CAP. | 1uF | 6.3V | B | GRM155B30J105KE18D | K22088803 | | 1- | A | B4 |
| C 1537 | CHIP CAP. | 0.1uF | 10V | B | GRM155B11A104KA01D | K22108802 | | 1- | A | B4 |
| C 1538 | CHIP CAP. | 0.22uF | 10V | B | GRM155B31A224KE18D | K22108808 | | 1- | A | B3 |
| C 1539 | CHIP CAP. | 470pF | 50V | B | GRM155B11H471KA01D | K22178805 | | 1- | A | B3 |
| C 1540 | CHIP CAP. | 0.022uF | 16V | B | GRM155B11C223KA01D | K22128806 | | 1- | A | B4 |
| C 1541 | CHIP CAP. | 0.022uF | 16V | B | GRM155B11C223KA01D | K22128806 | | 1- | A | B3 |
| C 1542 | CHIP CAP. | 0.01uF | 16V | B | GRM36B103K16PT | K22128804 | | 1- | A | B3 |
| C 1542 | CHIP CAP. | 0.01uF | 25V | B | GRM155B11E103KA01D | K22148834 | | 16- | A | B3 |
| C 1543 | CHIP CAP. | 0.001uF | 50V | B | GRM155B11H102KA01D | K22178809 | | 1- | A | B4 |
| C 1544 | CHIP CAP. | 0.1uF | 10V | B | GRM155B11A104KA01D | K22108802 | | 1- | A | B4 |
| C 1546 | CHIP CAP. | 0.1uF | 10V | B | GRM155B11A104KA01D | K22108802 | | 1- | A | A4 |
| C 1548 | CHIP CAP. | 0.1uF | 10V | B | GRM155B11A104KA01D | K22108802 | | 1- | A | B4 |
| C 1549 | CHIP CAP. | 1uF | 6.3V | B | GRM155B30J105KE18D | K22088803 | | 1- | A | B1 |
| C 1550 | CHIP CAP. | 1uF | 6.3V | B | GRM155B30J105KE18D | K22088803 | | 1- | A | B1 |
| C 1551 | CHIP CAP. | 1uF | 6.3V | B | GRM155B30J105KE18D | K22088803 | | 1- | A | B3 |
| C 1552 | CHIP CAP. | 1uF | 6.3V | B | GRM155B30J105KE18D | K22088803 | | 1- | A | A3 |
| C 1553 | CHIP TA.CAP. | 47uF | 6.3V | | TEESVA0J476M8R | K78080085 | | 1- | A | B3 |
| C 1554 | CHIP CAP. | 1uF | 6.3V | B | GRM155B30J105KE18D | K22088803 | | 1- | A | B3 |
| C 1555 | CHIP CAP. | 1uF | 6.3V | B | GRM155B30J105KE18D | K22088803 | | 1- | A | A3 |
| C 1556 | CHIP TA.CAP. | 47uF | 6.3V | | TEESVA0J476M8R | K78080085 | | 1- | A | A2 |
| C 1557 | CHIP CAP. | 1uF | 6.3V | B | GRM155B30J105KE18D | K22088803 | | 1- | B | d3 |
| C 1558 | CHIP CAP. | 0.47uF | 6.3V | B | GRM155B30J474KE18D | K22088802 | | 1- | A | B3 |
| C 1559 | CHIP CAP. | 1uF | 6.3V | B | GRM155B30J105KE18D | K22088803 | | 1- | A | B2 |
| C 1560 | CHIP CAP. | 0.01uF | 16V | B | GRM36B103K16PT | K22128804 | | 1- | A | B3 |
| C 1560 | CHIP CAP. | 0.01uF | 25V | B | GRM155B11E103KA01D | K22148834 | | 16- | A | B3 |
| C 1561 | CHIP CAP. | 0.22uF | 10V | B | GRM155B31A224KE18D | K22108808 | | 1- | A | B2 |
| C 1562 | CHIP CAP. | 0.22uF | 10V | B | GRM155B31A224KE18D | K22108808 | | 1- | A | B2 |
| C 1563 | CHIP CAP. | 0.022uF | 16V | B | GRM155B11C223KA01D | K22128806 | | 1- | A | B2 |
| C 1564 | CHIP CAP. | 0.022uF | 16V | B | GRM155B11C223KA01D | K22128806 | | 1- | A | B2 |
| C 1565 | CHIP CAP. | 0.0047uF | 25V | B | GRM36B472K25PT | K22148830 | | 1- | A | B2 |
| C 1565 | CHIP CAP. | 0.0047uF | 50V | B | GRM155B11H472KA01D | K22178838 | | 16- | A | B2 |
| C 1566 | CHIP CAP. | 1uF | 6.3V | B | GRM155B30J105KE18D | K22088803 | | 1- | A | B2 |
| C 1567 | CHIP CAP. | 1uF | 6.3V | B | GRM155B30J105KE18D | K22088803 | | 1- | A | A3 |
| C 1568 | CHIP CAP. | 1uF | 6.3V | B | GRM155B30J105KE18D | K22088803 | | 1- | A | A3 |
| C 1569 | CHIP CAP. | 1uF | 6.3V | B | GRM155B30J105KE18D | K22088803 | | 1- | B | d3 |
| C 1570 | CHIP CAP. | 1uF | 6.3V | B | GRM155B30J105KE18D | K22088803 | | 1- | A | A2 |
| C 1571 | CHIP CAP. | 0.22uF | 10V | B | GRM155B31A224KE18D | K22108808 | | 1- | A | A2 |
| C 1572 | CHIP CAP. | 0.22uF | 10V | B | GRM155B31A224KE18D | K22108808 | | 1- | A | A2 |
| C 1573 | CHIP CAP. | 0.022uF | 16V | B | GRM155B11C223KA01D | K22128806 | | 1- | A | A2 |

MAIN-Unit

Parts List

| REF | DESCRIPTION | VALUE | V/W | TOL. | MFR'S DESIG | VXSTD P/N | VERS. | LOT | SIDE | LAY ADR |
|--------|-----------------|----------|------|------|--------------------|-----------|-------|-----|------|---------|
| C 1574 | CHIP CAP. | 0.022uF | 16V | B | GRM155B11C223KA01D | K22128806 | | 1- | A | A2 |
| C 1575 | CHIP CAP. | 0.0047uF | 25V | B | GRM36B472K25PT | K22148830 | | 1- | A | A2 |
| C 1575 | CHIP CAP. | 0.0047uF | 50V | B | GRM155B11H472KA01D | K22178838 | | 16- | A | A2 |
| C 1576 | CHIP CAP. | 1uF | 6.3V | B | GRM155B30J105KE18D | K22088803 | | 1- | A | A2 |
| C 1577 | CHIP CAP. | 0.01uF | 16V | B | GRM36B103K16PT | K22128804 | | 1- | A | B3 |
| C 1577 | CHIP CAP. | 0.01uF | 25V | B | GRM155B11E103KA01D | K22148834 | | 16- | A | B3 |
| C 1578 | CHIP CAP. | 0.01uF | 16V | B | GRM36B103K16PT | K22128804 | | 1- | A | B3 |
| C 1578 | CHIP CAP. | 0.01uF | 25V | B | GRM155B11E103KA01D | K22148834 | | 16- | A | B3 |
| C 1579 | CHIP CAP. | 15pF | 50V | CH | GRM1552C1H150GZ01 | K22178300 | | 1- | A | B4 |
| C 1580 | CHIP CAP. | 0.001uF | 50V | B | GRM155B11H102KA01D | K22178809 | | 1- | A | B4 |
| C 1581 | CHIP TA.CAP. | 10uF | 10V | | TEESVA1A106M8R | K78100028 | | 1- | A | B4 |
| C 1601 | CHIP CAP. | 1uF | 6.3V | B | GRM155B30J105KE18D | K22088803 | | 1- | B | e2 |
| C 1602 | CHIP CAP. | 0.1uF | 10V | B | GRM155B11A104KA01D | K22108802 | | 1- | B | e2 |
| C 1603 | CHIP CAP. | 1uF | 6.3V | B | GRM155B30J105KE18D | K22088803 | | 1- | B | e2 |
| C 1604 | CHIP CAP. | 0.1uF | 16V | B | GRM188B11C104KA01D | K22124805 | | 1- | B | e2 |
| C 1604 | CHIP CAP. | 0.1uF | 10V | B | GRM155B11A104KA01D | K22108802 | | 5- | B | e2 |
| C 1605 | CHIP CAP. | 1uF | 6.3V | B | GRM155B30J105KE18D | K22088803 | | 1- | B | e3 |
| C 1606 | CHIP CAP. | 0.001uF | 50V | B | GRM155B11H102KA01D | K22178809 | | 1- | A | B6 |
| C 1607 | AL.ELECTRO.CAP. | 100uF | 10V | | RVZ-10V101MF55U-R2 | K48100008 | | 1- | A | A1 |
| C 1608 | AL.ELECTRO.CAP. | 470uF | 10V | | RVZ-10V471M | K48100010 | | 1- | A | A3 |
| C 1609 | CHIP CAP. | 0.001uF | 50V | B | GRM155B11H102KA01D | K22178809 | | 1- | A | A1 |
| C 1610 | AL.ELECTRO.CAP. | 470uF | 10V | | RVZ-10V471M | K48100010 | | 1- | A | A2 |
| C 1611 | CHIP CAP. | 0.001uF | 50V | B | GRM155B11H102KA01D | K22178809 | | 1- | A | A1 |
| C 1612 | AL.ELECTRO.CAP. | 220uF | 16V | | EMVA160ADA221MF80G | K48120021 | | 1- | A | A2 |
| C 1613 | CHIP CAP. | 0.001uF | 50V | B | GRM155B11H102KA01D | K22178809 | | 1- | A | B1 |
| C 1614 | CHIP CAP. | 0.001uF | 50V | B | GRM155B11H102KA01D | K22178809 | | 1- | A | B1 |
| C 1615 | CHIP CAP. | 0.1uF | 10V | B | GRM155B11A104KA01D | K22108802 | | 1- | B | e5 |
| C 1616 | CHIP CAP. | 0.1uF | 10V | B | GRM155B11A104KA01D | K22108802 | | 1- | B | e5 |
| C 1617 | CHIP TA.CAP. | 10uF | 10V | | TAJA106M010Y | K78100072 | | 1- | B | e5 |
| C 1618 | CHIP TA.CAP. | 10uF | 10V | | TAJA106M010Y | K78100072 | | 1- | B | e5 |
| C 1619 | AL.ELECTRO.CAP. | 100uF | 10V | | RVZ-10V101MF55U-R2 | K48100008 | | 1- | B | e4 |
| C 1620 | CHIP CAP. | 0.1uF | 10V | B | GRM155B11A104KA01D | K22108802 | | 1- | B | e4 |
| C 1621 | CHIP CAP. | 0.1uF | 10V | B | GRM155B11A104KA01D | K22108802 | | 1- | B | e4 |
| C 1622 | AL.ELECTRO.CAP. | 100uF | 10V | | RVZ-10V101MF55U-R2 | K48100008 | | 1- | B | e4 |
| C 1622 | CHIP TA.CAP. | 47uF | 6.3V | | TEESVA0J476M8R | K78080085 | | 16- | B | e4 |
| C 1623 | CHIP CAP. | 0.1uF | 10V | B | GRM155B11A104KA01D | K22108802 | | 1- | B | e5 |
| C 1624 | CHIP CAP. | 0.1uF | 10V | B | GRM155B11A104KA01D | K22108802 | | 1- | B | e5 |
| C 1625 | CHIP TA.CAP. | 10uF | 10V | | TAJA106M010Y | K78100072 | | 1- | B | d4 |
| C 1626 | CHIP TA.CAP. | 10uF | 10V | | TAJA106M010Y | K78100072 | | 1- | B | e4 |
| C 1627 | AL.ELECTRO.CAP. | 100uF | 10V | | RVZ-10V101MF55U-R2 | K48100008 | | 1- | B | e4 |
| C 1628 | CHIP CAP. | 0.001uF | 50V | B | GRM155B11H102KA01D | K22178809 | | 1- | B | c6 |
| C 1629 | CHIP CAP. | 0.1uF | 10V | B | GRM155B11A104KA01D | K22108802 | | 1- | B | e4 |
| C 1630 | CHIP CAP. | 0.1uF | 10V | B | GRM155B11A104KA01D | K22108802 | | 1- | B | d4 |
| C 1631 | CHIP CAP. | 0.001uF | 50V | B | GRM155B11H102KA01D | K22178809 | | 1- | A | A4 |
| C 1632 | CHIP CAP. | 0.001uF | 50V | B | GRM155B11H102KA01D | K22178809 | | 1- | A | A4 |
| C 1633 | CHIP CAP. | 0.001uF | 50V | B | GRM155B11H102KA01D | K22178809 | | 1- | A | A4 |
| C 1634 | CHIP CAP. | 0.001uF | 50V | B | GRM155B11H102KA01D | K22178809 | | 1- | A | A4 |
| C 1635 | CHIP CAP. | 0.001uF | 50V | B | GRM155B11H102KA01D | K22178809 | | 1- | B | e4 |
| C 1636 | CHIP CAP. | 0.001uF | 50V | B | GRM155B11H102KA01D | K22178809 | | 1- | B | c6 |
| C 1637 | CHIP CAP. | 0.001uF | 50V | B | GRM155B11H102KA01D | K22178809 | | 1- | A | D5 |
| C 1638 | CHIP CAP. | 0.001uF | 50V | B | GRM155B11H102KA01D | K22178809 | | 1- | B | c5 |
| C 1639 | CHIP CAP. | 0.001uF | 50V | B | GRM155B11H102KA01D | K22178809 | | 1- | A | C5 |
| C 1640 | CHIP CAP. | 0.001uF | 50V | B | GRM155B11H102KA01D | K22178809 | | 1- | A | C6 |
| C 1641 | CHIP CAP. | 0.001uF | 50V | B | GRM155B11H102KA01D | K22178809 | | 1- | A | B6 |
| C 1643 | CHIP CAP. | 100pF | 50V | CH | GRM1882C1H101JA01D | K22174235 | | 1- | B | e1 |
| C 1643 | CHIP CAP. | 100pF | 50V | CH | GRM1552C1H101JD01D | K22178236 | | 5- | B | e1 |
| C 1644 | CHIP CAP. | 0.022uF | 16V | B | GRM155B11C223KA01D | K22128806 | | 1- | B | e3 |
| C 1645 | CHIP CAP. | 0.022uF | 16V | B | GRM155B11C223KA01D | K22128806 | | 1- | B | e2 |
| C 1701 | CHIP TA.CAP. | 10uF | 10V | | TEESVA1A106M8R | K78100028 | | 1- | B | d4 |
| C 1702 | CHIP TA.CAP. | 22uF | 16V | | TEESVB21C226M8R | K78120028 | | 1- | B | d2 |
| C 1703 | CHIP CAP. | 0.001uF | 50V | B | GRM155B11H102KA01D | K22178809 | | 1- | A | B1 |
| C 1704 | CHIP TA.CAP. | 22uF | 16V | | TEESVB21C226M8R | K78120028 | | 1- | B | d3 |
| C 1705 | CHIP CAP. | 0.001uF | 50V | B | GRM155B11H102KA01D | K22178809 | | 1- | B | d2 |
| C 1706 | CHIP TA.CAP. | 47uF | 6.3V | | TEESVB20J476M8R | K78080048 | | 1- | B | d3 |
| C 1707 | CHIP CAP. | 0.001uF | 50V | B | GRM155B11H102KA01D | K22178809 | | 1- | B | d3 |
| C 1708 | CHIP CAP. | 0.001uF | 50V | B | GRM155B11H102KA01D | K22178809 | | 1- | B | d2 |
| C 1709 | AL.ELECTRO.CAP. | 100uF | 16V | | EEE1CA101WP | K48120012 | | 1- | B | d2 |
| C 1710 | CHIP CAP. | 0.001uF | 50V | B | GRM155B11H102KA01D | K22178809 | | 1- | B | d1 |
| C 1711 | CHIP CAP. | 1uF | 10V | F | GRM188F11A105ZA01D | K22105001 | | 1- | B | a4 |
| C 1712 | CHIP CAP. | 1uF | 10V | F | GRM188F11A105ZA01D | K22105001 | | 1- | B | b5 |

MAIN-Unit

Parts List

| REF | DESCRIPTION | VALUE | V/W | TOL. | MFR'S DESIG | VXSTD P/N | VERS. | LOT | SIDE | LAY ADR |
|--------|-----------------|---------|------|------|--------------------|-----------|-------|-----|------|---------|
| C 1713 | CHIP CAP. | 0.001uF | 50V | B | GRM155B11H102KA01D | K22178809 | | 1- | B | d1 |
| C 1714 | CHIP CAP. | 7pF | 50V | CH | GRM1552C1H7R0BZ01D | K22178294 | | 1- | B | d6 |
| C 1716 | CHIP CAP. | 0.01uF | 16V | B | GRM36B103K16PT | K22128804 | | 1- | B | d5 |
| C 1716 | CHIP CAP. | 0.01uF | 25V | B | GRM155B11E103KA01D | K22148834 | | 16- | B | d5 |
| C 1717 | AL.ELECTRO.CAP. | 2200uF | 16V | | RJ5-16V222M | K40129101 | | 1- | A | B1 |
| C 1718 | CHIP CAP. | 0.001uF | 50V | B | GRM155B11H102KA01D | K22178809 | | 1- | A | B1 |
| C 1719 | CHIP CAP. | 18pF | 50V | CH | GRM1552C1H180JZ01D | K22178218 | | 1- | B | d5 |
| C 1720 | CHIP CAP. | 3pF | 50V | CJ | GRM1553C1H3R0BZ01D | K22178290 | | 1- | B | d5 |
| C 1721 | CHIP CAP. | 22pF | 50V | CH | GRM1552C1H220JZ01D | K22178220 | | 1- | B | d5 |
| C 1722 | CHIP CAP. | 0.001uF | 50V | B | GRM155B11H102KA01D | K22178809 | | 1- | B | d5 |
| C 1723 | CHIP TA.CAP. | 10uF | 10V | | TEESVA1A106M8R | K78100028 | | 1- | B | d5 |
| C 1724 | CHIP CAP. | 0.001uF | 50V | B | GRM155B11H102KA01D | K22178809 | | 1- | B | d5 |
| C 1725 | CHIP CAP. | 0.001uF | 50V | B | GRM155B11H102KA01D | K22178809 | | 1- | A | B6 |
| C 1726 | CHIP CAP. | 1uF | 6.3V | B | GRM155B30J105KE18D | K22088803 | | 1- | B | e5 |
| C 1727 | CHIP CAP. | 0.001uF | 50V | B | GRM155B11H102KA01D | K22178809 | | 1- | B | d5 |
| C 1728 | AL.ELECTRO.CAP. | 100uF | 16V | | EEE1CA101WP | K48120012 | | 1- | A | B6 |
| C 1729 | CHIP CAP. | 0.001uF | 50V | B | GRM155B11H102KA01D | K22178809 | | 1- | B | d5 |
| C 1730 | CHIP CAP. | 0.1uF | 10V | B | GRM155B11A104KA01D | K22108802 | | 1- | B | d5 |
| C 1731 | CHIP CAP. | 0.001uF | 50V | B | GRM155B11H102KA01D | K22178809 | | 1- | B | d6 |
| C 1732 | CHIP TA.CAP. | 22uF | 16V | | TEESVB21C226M8R | K78120028 | | 1- | B | c5 |
| C 1733 | CHIP CAP. | 0.1uF | 25V | F | GRM188F11E104ZA01D | K22145001 | | 1- | B | e5 |
| C 1801 | CHIP TA.CAP. | 47uF | 6.3V | | TEESVA0J476M8R | K78080085 | | 1- | A | B4 |
| C 1802 | CHIP CAP. | 0.001uF | 50V | B | GRM155B11H102KA01D | K22178809 | | 1- | A | B4 |
| C 1803 | CHIP CAP. | 0.022uF | 16V | B | GRM155B11C223KA01D | K22128806 | | 1- | A | E5 |
| C 1804 | CHIP CAP. | 0.047uF | 10V | B | GRM155B11A473KA01D | K22108801 | | 1- | A | C6 |
| C 1805 | CHIP CAP. | 0.001uF | 50V | B | GRM155B11H102KA01D | K22178809 | | 1- | A | B4 |
| C 1806 | CHIP CAP. | 0.001uF | 50V | B | GRM155B11H102KA01D | K22178809 | | 1- | B | c3 |
| C 1807 | CHIP CAP. | 0.1uF | 10V | B | GRM155B11A104KA01D | K22108802 | | 1- | B | d5 |
| C 1808 | CHIP CAP. | 0.047uF | 10V | B | GRM155B11A473KA01D | K22108801 | | 1- | A | B5 |
| C 1809 | CHIP CAP. | 0.047uF | 10V | B | GRM155B11A473KA01D | K22108801 | | 1- | A | A5 |
| C 1810 | CHIP CAP. | 0.047uF | 10V | B | GRM155B11A473KA01D | K22108801 | | 1- | B | e2 |
| C 1811 | CHIP CAP. | 0.1uF | 10V | B | GRM155B11A104KA01D | K22108802 | | 1- | B | e5 |
| C 1813 | CHIP CAP. | 0.1uF | 10V | B | GRM155B11A104KA01D | K22108802 | | 1- | B | b5 |
| C 1814 | CHIP CAP. | 0.047uF | 10V | B | GRM155B11A473KA01D | K22108801 | | 5- | A | D5 |
| C 1815 | AL.ELECTRO.CAP. | 47uF | 6.3V | | RC2-6V470ME1#-T58 | K46080004 | | 1- | A | A4 |
| C 1815 | CHIP TA.CAP. | 47uF | 6.3V | | TEESVA0J476M8R | K78080085 | | 16- | A | A4 |
| C 1816 | CHIP CAP. | 0.001uF | 50V | B | GRM155B11H102KA01D | K22178809 | | 16- | A | A4 |
| C 1817 | CHIP TA.CAP. | 470uF | 6.3V | | TEESVD0J477M12R | K78080095 | | 16- | B | e4 |
| CD1401 | CERAMIC DISC | | | | JTBM450CX24 | H7901530 | | 1- | A | E4 |
| CF1401 | CERAMIC FILTER | | | | SFECF10M7GA00-R0 | H3900577 | | 1- | A | D4 |
| CF1402 | CERAMIC FILTER | | | | LTM450FW | H3900572 | | 1- | B | a5 |
| D 1001 | DIODE | | | | RLS135 TE-11 | G2070128 | | 1- | A | B2 |
| D 1002 | DIODE | | | | UDZS TE-17 6.8B | G2070888 | | 1- | A | C3 |
| D 1005 | DIODE | | | | RLS135 TE-11 | G2070128 | | 1- | B | a2 |
| D 1006 | DIODE | | | | RLS135 TE-11 | G2070128 | | 1- | B | a2 |
| D 1007 | DIODE | | | | L709CER | G2071124 | | 1- | A | E2 |
| D 1008 | DIODE | | | | L709CER | G2071124 | | 1- | A | E2 |
| D 1009 | DIODE | | | | MA2S72800L | G2070858 | | 1- | B | a2 |
| D 1010 | DIODE | | | | MA2S72800L | G2070858 | | 1- | A | E3 |
| D 1011 | SURGE ABSORBER | | | | RHCA-301Q43U | Q9000827 | | 1- | B | b1 |
| D 1012 | DIODE | | | | RLS135 TE-11 | G2070128 | | 1- | B | a2 |
| D 1013 | DIODE | | | | RLS135 TE-11 | G2070128 | | 1- | B | a2 |
| D 1014 | DIODE | | | | L709CER | G2071124 | | 1- | A | D2 |
| D 1015 | DIODE | | | | MA4P1250 | G2070974 | | 1- | A | D2 |
| D 1016 | DIODE | | | | HVC355B TRF-E | G2070588 | | 1- | B | b3 |
| D 1017 | DIODE | | | | HVC355B TRF-E | G2070588 | | 1- | B | b3 |
| D 1018 | DIODE | | | | HVC355B TRF-E | G2070588 | | 1- | B | b3 |
| D 1019 | DIODE | | | | HVC131TRF-E | G2070676 | | 1- | B | b3 |
| D 1020 | DIODE | | | | HVC131TRF-E | G2070676 | | 1- | B | a2 |
| D 1021 | DIODE | | | | HVC131TRF-E | G2070676 | | 1- | B | a2 |
| D 1022 | DIODE | | | | HVC131TRF-E | G2070676 | | 1- | A | D4 |
| D 1023 | DIODE | | | | HVC131TRF-E | G2070676 | | 1- | B | a3 |
| D 1024 | DIODE | | | | HVC365 TRF-E | G2070902 | | 1- | B | a4 |
| D 1025 | DIODE | | | | HVC365 TRF-E | G2070902 | | 1- | B | b4 |
| D 1026 | DIODE | | | | HVC365 TRF-E | G2070902 | | 1- | B | b4 |
| D 1027 | DIODE | | | | HVC131TRF-E | G2070676 | | 1- | B | b4 |
| D 1028 | DIODE | | | | HSC277TRF-E | G2070584 | | 1- | B | a2 |
| D 1029 | DIODE | | | | HSC277TRF-E | G2070584 | | 1- | B | a2 |
| D 1030 | DIODE | | | | HVC131TRF-E | G2070676 | | 1- | B | a3 |
| D 1031 | DIODE | | | | HVC350B-TRF-E | G2070596 | | 1- | B | b3 |

MAIN-Unit

Parts List

| REF | DESCRIPTION | VALUE | V/W | TOL. | MFR'S DESIG | VXSTD P/N | VERS. | LOT | SIDE | LAY ADR |
|--------|----------------|-------|-----|------|-----------------|-----------|-------|-----|------|---------|
| D 1032 | DIODE | | | | HVC350B-TRF-E | G2070596 | | 1- | B | b3 |
| D 1033 | DIODE | | | | HVC350B-TRF-E | G2070596 | | 1- | B | b3 |
| D 1035 | DIODE | | | | HVC131TRF-E | G2070676 | | 1- | A | D3 |
| D 1036 | DIODE | | | | HVC131TRF-E | G2070676 | | 1- | B | b3 |
| D 1037 | DIODE | | | | MA2S72800L | G2070858 | | 1- | B | a2 |
| D 1038 | DIODE | | | | MA2S72800L | G2070858 | | 1- | B | b2 |
| D 1039 | DIODE | | | | HVC131TRF-E | G2070676 | | 1- | B | a2 |
| D 1301 | DIODE | | | | DA221 TL | G2070178 | | 1- | B | b4 |
| D 1302 | DIODE | | | | HVC350B-TRF-E | G2070596 | | 1- | A | D4 |
| D 1303 | DIODE | | | | HVC365 TRF-E | G2070902 | | 1- | A | C4 |
| D 1304 | DIODE | | | | DA221 TL | G2070178 | | 1- | A | C4 |
| D 1305 | DIODE | | | | HVC131TRF-E | G2070676 | | 1- | A | C4 |
| D 1306 | DIODE | | | | HSC277TRF-E | G2070584 | | 1- | A | C4 |
| D 1307 | DIODE | | | | HSC277TRF-E | G2070584 | | 1- | A | C4 |
| D 1308 | DIODE | | | | HSC277TRF-E | G2070584 | | 1- | A | C4 |
| D 1309 | DIODE | | | | HSC277TRF-E | G2070584 | | 1- | A | C4 |
| D 1310 | DIODE | | | | HVC365 TRF-E | G2070902 | | 1- | B | c4 |
| D 1311 | DIODE | | | | HSC277TRF-E | G2070584 | | 1- | B | c4 |
| D 1312 | DIODE | | | | HVC365 TRF-E | G2070902 | | 1- | B | c4 |
| D 1313 | DIODE | | | | HVC131TRF-E | G2070676 | | 1- | A | C4 |
| D 1314 | DIODE | | | | HSC277TRF-E | G2070584 | | 1- | B | c4 |
| D 1315 | DIODE | | | | HVC375B-TRF-E | G2070856 | | 1- | B | c4 |
| D 1316 | DIODE | | | | HVC375B-TRF-E | G2070856 | | 1- | B | c4 |
| D 1317 | DIODE | | | | DAN222 TL | G2070174 | | 1- | B | c3 |
| D 1318 | DIODE | | | | 1SS400 TE61 | G2070634 | | 1- | B | c3 |
| D 1319 | DIODE | | | | HSC277TRF-E | G2070584 | | 1- | A | C4 |
| D 1320 | DIODE | | | | HSC277TRF-E | G2070584 | | 1- | A | C4 |
| D 1401 | DIODE | | | | HSC277TRF-E | G2070584 | | 1- | A | D4 |
| D 1402 | DIODE | | | | HSC277TRF-E | G2070584 | | 1- | A | D4 |
| D 1403 | DIODE | | | | HSC277TRF-E | G2070584 | | 1- | A | D4 |
| D 1404 | DIODE | | | | HSC277TRF-E | G2070584 | | 1- | A | D4 |
| D 1405 | DIODE | | | | 1SS400 TE61 | G2070634 | | 1- | A | E4 |
| D 1406 | DIODE | | | | 1SS400 TE61 | G2070634 | | 1- | A | E5 |
| D 1408 | DIODE | | | | 1SS400 TE61 | G2070634 | | 1- | A | E5 |
| D 1410 | DIODE | | | | UDZS TE-17 5.1B | G2070908 | | 1- | A | D5 |
| D 1411 | DIODE | | | | 1SS400 TE61 | G2070634 | | 1- | A | E4 |
| D 1412 | DIODE | | | | 1SS400 TE61 | G2070634 | | 1- | A | D4 |
| D 1413 | DIODE | | | | MC2850-T111-1 | G2070704 | | 1- | B | b5 |
| D 1414 | DIODE | | | | MC2850-T111-1 | G2070704 | | 1- | B | a5 |
| D 1415 | DIODE | | | | DAN222 TL | G2070174 | | 1- | A | D5 |
| D 1416 | DIODE | | | | DA221 TL | G2070178 | | 1- | A | C6 |
| D 1417 | DIODE | | | | 1SS400 TE61 | G2070634 | | 1- | A | E5 |
| D 1418 | DIODE | | | | 1SS400 TE61 | G2070634 | | 1- | A | E5 |
| D 1601 | DIODE | | | | 1SS400 TE61 | G2070634 | | 1- | B | e3 |
| D 1602 | DIODE | | | | UDZS TE-17 5.6B | G2070910 | | 1- | A | A4 |
| D 1603 | DIODE | | | | UDZS TE-17 5.6B | G2070910 | | 1- | A | A4 |
| D 1604 | DIODE | | | | UDZS TE-17 5.6B | G2070910 | | 1- | A | C6 |
| D 1605 | DIODE | | | | UDZS TE-17 5.6B | G2070910 | | 1- | A | C6 |
| D 1701 | SURGE ABSORBER | | | | P6KA18A-E3 | Q9000721 | | 1- | B | c1 |
| D 1702 | DIODE | | | | 1SS400 TE61 | G2070634 | | 1- | B | d5 |
| D 1703 | DIODE | | | | 1SS400 TE61 | G2070634 | | 1- | B | d5 |
| D 1704 | DIODE | | | | 1SS400 TE61 | G2070634 | | 1- | B | e5 |
| D 1705 | DIODE | | | | 1SS400 TE61 | G2070634 | | 1- | B | d5 |
| D 1706 | DIODE | | | | 1SS400 TE61 | G2070634 | | 1- | B | d5 |
| D 1801 | DIODE | | | | DAN222 TL | G2070174 | | 1- | A | C5 |
| D 1802 | DIODE | | | | DAN222 TL | G2070174 | | 1- | A | C5 |
| D 1803 | DIODE | | | | 1SS400 TE61 | G2070634 | | 1- | A | A5 |
| D 1804 | DIODE | | | | 1SS400 TE61 | G2070634 | | 1- | A | A5 |
| FB1001 | FERRITE BEADS | | | | SMB304729 | L9190094 | | 1- | A | C1 |
| FB1002 | CHIP COIL | | | | BLM21PG300SN1D | L1690840 | | 1- | A | B3 |
| FB1003 | CHIP COIL | | | | BLM21PG300SN1D | L1690840 | | 1- | A | C3 |
| FB1601 | FERRITE BEADS | | | | BLM15AG121SN1D | L1690843 | | 1- | A | B6 |
| FB1602 | FERRITE BEADS | | | | BLM15AG121SN1D | L1690843 | | 1- | A | B6 |
| FB1603 | CHIP COIL | | | | BLM21PG300SN1D | L1690840 | | 1- | A | B1 |
| FB1604 | CHIP COIL | | | | BLM21PG300SN1D | L1690840 | | 1- | A | A1 |
| FB1605 | CHIP COIL | | | | BLM21PG300SN1D | L1690840 | | 1- | A | A1 |
| FB1606 | FERRITE BEADS | | | | BLM15AG121SN1D | L1690843 | | 1- | A | B1 |
| FB1607 | FERRITE BEADS | | | | BLM15AG121SN1D | L1690843 | | 1- | A | B1 |
| FB1608 | FERRITE BEADS | | | | BLM15AG121SN1D | L1690843 | | 1- | A | B1 |
| FB1609 | FERRITE BEADS | | | | BLM15AG121SN1D | L1690843 | | 1- | A | A4 |

MAIN-Unit

Parts List

| REF | DESCRIPTION | VALUE | V/W | TOL. | MFR'S DESIG | VXSTD P/N | VERS. | LOT | SIDE | LAY ADR |
|--------|----------------|----------|-----|------|------------------------|-----------|---------------|-----|------|---------|
| FB1610 | FERRITE BEADS | | | | BLM15AG121SN1D | L1690843 | | 1- | A | A4 |
| FB1611 | FERRITE BEADS | | | | BLM15AG121SN1D | L1690843 | | 1- | A | A4 |
| FB1612 | FERRITE BEADS | | | | BLM15AG121SN1D | L1690843 | | 1- | A | A4 |
| FB1613 | FERRITE BEADS | | | | BLM15AG121SN1D | L1690843 | | 1- | A | A4 |
| FB1614 | FERRITE BEADS | | | | BLM15AG121SN1D | L1690843 | | 1- | A | A4 |
| FB1615 | FERRITE BEADS | | | | BLM15AG121SN1D | L1690843 | | 1- | A | C5 |
| FB1616 | FERRITE BEADS | | | | BLM15AG121SN1D | L1690843 | | 1- | A | C5 |
| FB1617 | FERRITE BEADS | | | | BLM15AG121SN1D | L1690843 | | 1- | A | D5 |
| FB1618 | FERRITE BEADS | | | | BLM15AG121SN1D | L1690843 | | 1- | A | D5 |
| FB1619 | FERRITE BEADS | | | | BLM15AG121SN1D | L1690843 | | 1- | A | D5 |
| FB1620 | FERRITE BEADS | | | | BLM15AG121SN1D | L1690843 | | 1- | A | D5 |
| FB1621 | FERRITE BEADS | | | | BLM15AG121SN1D | L1690843 | | 1- | A | D5 |
| FB1622 | FERRITE BEADS | | | | BLM15AG121SN1D | L1690843 | | 16- | A | B4 |
| FB1701 | FERRITE BEADS | | | | SMB304729 | L9190094 | | 1- | A | C1 |
| FB1702 | FERRITE BEADS | | | | SMB304729 | L9190094 | | 1- | A | B1 |
| FB1703 | CHIP COIL | | | | BLM21PG300SN1D | L1690840 | | 1- | B | d1 |
| HS1001 | HEATSINK PLATE | | | | | RA0227600 | | 1- | B | c3 |
| HS1001 | HEATSINK PLATE | | | | | RA022760A | | 16- | B | c3 |
| J 1401 | CONNECTOR | | | | AXK6S40635P | P0091323 | | 1- | A | A5 |
| J 1601 | CONNECTOR | | | | BM02B-SRSS-TBT(LF)(SN) | P0091465 | | 1- | A | B6 |
| J 1602 | CONNECTOR | | | | HSJ0912-01-020 | P1091302 | | 1- | B | e1 |
| J 1603 | CONNECTOR | | | | HSJ0912-01-040 | P1091129 | | 1- | B | d1 |
| J 1604 | CONNECTOR | | | | 06FLT-SM2-TB(LF)(SN) | P1091255 | | 1- | A | A4 |
| J 1604 | CONNECTOR | | | | 08FLT-SM2-TB(LF)(SN) | P1091201 | | 16- | A | A4 |
| J 1701 | CONNECTOR | | | | AXK6F10345YP | P0091378 | | 1- | A | B6 |
| J 1702 | CONNECTOR | | | | 95001-2881 | P1091320 | | 1- | B | b6 |
| J 1703 | SHIELD FINGER | | | | 4025 3100089 | S5000225 | | 1- | A | C3 |
| J 1704 | SHIELD FINGER | | | | 4025 3100089 | S5000225 | | 1- | A | C3 |
| J 1705 | SHIELD FINGER | | | | 4025 3100089 | S5000225 | W/ CE LABEL5- | 1- | A | B1 |
| J 1706 | SHIELD FINGER | | | | 4025 3100089 | S5000225 | W/ CE LABEL5- | 1- | A | C1 |
| J 1707 | SHIELD FINGER | | | | 4025 3100089 | S5000225 | W/ CE LABEL5- | 1- | A | D1 |
| L 1001 | COIL | 0.047uH | | | AS1007-47NK | L0022548 | | 1- | A | D1 |
| L 1002 | COIL | 0.012uH | | | AS080336-12N | L0022810 | | 1- | A | B2 |
| L 1003 | M.RFC | 1uH | | | ELJ-ND1R0JF | L1690977 | | 1- | B | d2 |
| L 1004 | COIL | 0.009uH | | | AS050325-9R0NJ | L0022826 | | 1- | A | B2 |
| L 1005 | COIL | 0.0033uH | | | AS050221-3R3NJ | L0022825 | | 1- | A | B3 |
| L 1006 | COIL | | | | E2 0.35-1.6-7T-L | L0022390 | | 1- | A | B3 |
| L 1007 | COIL | 0.056uH | | | AS050635-56N | L0022813 | | 1- | A | B3 |
| L 1008 | COIL | | | | E2 0.3-0.9-3T-R | L0022389 | | 1- | A | C3 |
| L 1009 | COIL | | | | E2 0.28-1.0-4.5T-R | L0022395 | | 1- | A | C3 |
| L 1010 | COIL | | | | E2 0.3-1.1-3T-R | L0022579 | | 1- | A | C3 |
| L 1011 | M.RFC | 0.1uH | | 2% | C1608CB-R10G-RF | L1691045 | | 1- | A | C3 |
| L 1012 | M.RFC | 0.0082uH | | | TFL0816-8N2 | L1690490 | | 1- | A | C4 |
| L 1014 | COIL | 0.044uH | | | AS050535-44N | L0022812 | | 1- | B | a2 |
| L 1015 | COIL | 0.047uH | | | AS1007-47NK | L0022548 | | 1- | A | E1 |
| L 1016 | COIL | 0.033uH | | | AS1005-33NK | L0022546 | | 1- | A | E2 |
| L 1017 | COIL | 0.033uH | | | AS1005-33NK | L0022546 | | 1- | A | E2 |
| L 1018 | COIL | 0.033uH | | | AS1005-33NK | L0022546 | | 1- | A | E2 |
| L 1019 | COIL | | | | E2 0.25-1.9-12.5T-L | L0022600 | | 1- | A | D3 |
| L 1020 | COIL | | | | E2 0.25-1.9-12.5T-L | L0022600 | | 1- | A | D3 |
| L 1021 | COIL | 0.033uH | | | AS1005-33NK | L0022546 | | 1- | A | D3 |
| L 1022 | COIL A1 | | | | 1.5T3.0D1.2UEW R | L0022806 | | 1- | A | D2 |
| L 1023 | M.RFC | 0.47uH | | | LK2125 R47K-T | L1690315 | | 1- | B | b3 |
| L 1024 | M.RFC | 0.47uH | | | LK2125 R47K-T | L1690315 | | 1- | B | c3 |
| L 1025 | COIL | 0.01uH | | | AS1003-10NK | L0022544 | | 1- | B | a1 |
| L 1026 | COIL | 0.015uH | | | AS100440-15N | L0022811 | | 1- | B | a2 |
| L 1027 | COIL | 0.015uH | | | AS100440-15N | L0022811 | | 1- | A | E2 |
| L 1028 | COIL | 0.014uH | | | AS050425-14NK | L0022583 | | 1- | A | E2 |
| L 1029 | COIL | 0.015uH | | | AS100440-15N | L0022811 | | 1- | A | D2 |
| L 1030 | COIL | | | | E2 0.35-1.6-7T-L | L0022390 | | 1- | A | D2 |
| L 1031 | COIL | 0.0093uH | | | AS120252-9R3N | L0022853 | | 1- | A | D2 |
| L 1032 | M.RFC | 0.01uH | | 2% | C1608CB-10NG-RF | L1691032 | | 1- | B | b1 |
| L 1033 | M.RFC | 0.0082uH | | | TFL0816-8N2 | L1690490 | | 1- | B | b1 |
| L 1034 | M.RFC | 0.012uH | | | TFL0816-12 | L1690492 | | 1- | B | a2 |
| L 1035 | M.RFC | 0.0056uH | | | TFL0816-5N6 | L1690488 | | 1- | B | b3 |
| L 1036 | M.RFC | 0.0056uH | | | TFL0816-5N6 | L1690488 | | 1- | B | b3 |
| L 1037 | M.RFC | 0.0056uH | | | TFL0816-5N6 | L1690488 | | 1- | B | b3 |
| L 1038 | M.RFC | 0.01uH | | | TFL0816-10 | L1690491 | | 1- | B | b3 |
| L 1039 | M.RFC | 0.1uH | | 2% | C1608CB-R10G-RF | L1691045 | | 1- | B | a2 |
| L 1040 | M.RFC | 0.068uH | | 2% | C1608CB-68NG-RF | L1691042 | | 1 | B | a2 |

MAIN-Unit

Parts List

| REF | DESCRIPTION | VALUE | V/W | TOL. | MFR'S DESIG | VXSTD P/N | VERS. | LOT | SIDE | LAY ADR |
|--------|-------------|---------|-----|------|------------------|-----------|-----------|-----|------|---------|
| L 1040 | M.RFC | 0.068uH | | 2% | C1608CB-68NG-RF | L1691042 | AUSTRALIA | 2- | B | a2 |
| L 1040 | M.RFC | 0.068uH | | 2% | C1608CB-68NG-RF | L1691042 | EUROPE | 2- | B | a2 |
| L 1040 | M.RFC | 0.068uH | | 2% | C1608CB-68NG-RF | L1691042 | EXPORT | 2- | B | a2 |
| L 1040 | M.RFC | 0.068uH | | 2% | C1608CB-68NG-RF | L1691042 | USA | 2- | B | a2 |
| L 1041 | M.RFC | 0.068uH | | 2% | C1608CB-68NG-RF | L1691042 | | 1- | A | E3 |
| L 1042 | M.RFC | 0.056uH | | 2% | C1608CB-56NG-RF | L1691041 | | 1- | A | E3 |
| L 1043 | M.RFC | 0.033uH | | 2% | C1608CB-33NG-RF | L1691038 | | 1- | A | E3 |
| L 1044 | M.RFC | 0.082uH | | 2% | C1608CB-82NG-RF | L1691044 | | 1- | A | E3 |
| L 1045 | M.RFC | 0.047uH | | 2% | C1608CB-47NG-RF | L1691040 | | 1- | A | D3 |
| L 1046 | M.RFC | 0.047uH | | 2% | C1608CB-47NG-RF | L1691040 | | 1- | A | D3 |
| L 1047 | M.RFC | 1uH | | | LK1608 1R0K-T | L1690687 | | 1- | A | D4 |
| L 1048 | M.RFC | 0.039uH | | 2% | C1608CB-39NG-RF | L1691039 | | 1 | B | a2 |
| L 1048 | M.RFC | 0.039uH | | 2% | C1608CB-39NG-RF | L1691039 | AUSTRALIA | 2- | B | a2 |
| L 1048 | M.RFC | 0.039uH | | 2% | C1608CB-39NG-RF | L1691039 | EUROPE | 2- | B | a2 |
| L 1048 | M.RFC | 0.039uH | | 2% | C1608CB-39NG-RF | L1691039 | EXPORT | 2- | B | a2 |
| L 1048 | M.RFC | 0.039uH | | 2% | C1608CB-39NG-RF | L1691039 | USA | 2- | B | a2 |
| L 1049 | M.RFC | 0.1uH | | 2% | C1608CB-R10G-RF | L1691045 | | 1 | B | a3 |
| L 1049 | M.RFC | 0.1uH | | 2% | C1608CB-R10G-RF | L1691045 | AUSTRALIA | 2- | B | a3 |
| L 1049 | M.RFC | 0.1uH | | 2% | C1608CB-R10G-RF | L1691045 | EUROPE | 2- | B | a3 |
| L 1049 | M.RFC | 0.1uH | | 2% | C1608CB-R10G-RF | L1691045 | EXPORT | 2- | B | a3 |
| L 1049 | M.RFC | 0.1uH | | 2% | C1608CB-R10G-RF | L1691045 | USA | 2- | B | a3 |
| L 1050 | M.RFC | 0.056uH | | 2% | C1608CB-56NG-RF | L1691041 | | 1 | B | a3 |
| L 1050 | M.RFC | 0.056uH | | 2% | C1608CB-56NG-RF | L1691041 | AUSTRALIA | 2- | B | a3 |
| L 1050 | M.RFC | 0.056uH | | 2% | C1608CB-56NG-RF | L1691041 | EUROPE | 2- | B | a3 |
| L 1050 | M.RFC | 0.056uH | | 2% | C1608CB-56NG-RF | L1691041 | EXPORT | 2- | B | a3 |
| L 1050 | M.RFC | 0.056uH | | 2% | C1608CB-56NG-RF | L1691041 | USA | 2- | B | a3 |
| L 1051 | M.RFC | 0.047uH | | 2% | C1608CB-47NG-RF | L1691040 | | 1 | B | a3 |
| L 1051 | M.RFC | 0.047uH | | 2% | C1608CB-47NG-RF | L1691040 | AUSTRALIA | 2- | B | a3 |
| L 1051 | M.RFC | 0.047uH | | 2% | C1608CB-47NG-RF | L1691040 | EUROPE | 2- | B | a3 |
| L 1051 | M.RFC | 0.047uH | | 2% | C1608CB-47NG-RF | L1691040 | EXPORT | 2- | B | a3 |
| L 1051 | M.RFC | 0.047uH | | 2% | C1608CB-47NG-RF | L1691040 | USA | 2- | B | a3 |
| L 1052 | M.RFC | 0.039uH | | 2% | C1608CB-39NG-RF | L1691039 | | 1 | B | a3 |
| L 1052 | M.RFC | 0.039uH | | 2% | C1608CB-39NG-RF | L1691039 | AUSTRALIA | 2- | B | a3 |
| L 1052 | M.RFC | 0.039uH | | 2% | C1608CB-39NG-RF | L1691039 | EUROPE | 2- | B | a3 |
| L 1052 | M.RFC | 0.039uH | | 2% | C1608CB-39NG-RF | L1691039 | EXPORT | 2- | B | a3 |
| L 1052 | M.RFC | 0.039uH | | 2% | C1608CB-39NG-RF | L1691039 | USA | 2- | B | a3 |
| L 1053 | M.RFC | 0.22uH | | 2% | C1608CB-R22G-RF | L1691103 | | 1- | B | a3 |
| L 1054 | M.RFC | 1uH | | | LK1608 1R0K-T | L1690687 | | 1- | B | a3 |
| L 1055 | M.RFC | 0.082uH | | 2% | C1608CB-82NG-RF | L1691044 | | 1- | B | a4 |
| L 1056 | M.RFC | 0.082uH | | 2% | C1608CB-82NG-RF | L1691044 | | 1- | B | b4 |
| L 1057 | M.RFC | 0.082uH | | 2% | C1608CB-82NG-RF | L1691044 | | 1- | B | b4 |
| L 1058 | M.RFC | 0.047uH | | | TFL0816-47 | L1690499 | | 1- | B | b4 |
| L 1059 | M.RFC | 0.01uH | | 2% | C1608CB-10NG-RF | L1691032 | | 1- | B | a2 |
| L 1060 | M.RFC | 0.01uH | | 2% | C1608CB-10NG-RF | L1691032 | | 1- | B | a2 |
| L 1061 | M.RFC | 0.039uH | | 2% | C1608CB-39NG-RF | L1691039 | | 1- | B | a2 |
| L 1062 | M.RFC | 0.033uH | | | TFL0510-33N | L1690817 | | 1- | B | a2 |
| L 1063 | M.RFC | 0.015uH | | | TFL0816-15 | L1690493 | | 1- | A | D3 |
| L 1064 | M.RFC | 0.015uH | | | TFL0816-15 | L1690493 | | 1- | A | D3 |
| L 1065 | M.RFC | 0.1uH | | | TFL0816-100N | L1690981 | | 1- | B | a3 |
| L 1066 | M.RFC | 0.01uH | | 2% | C1608CB-10NG-RF | L1691032 | | 1- | B | a3 |
| L 1067 | COIL | | | | E2 0.28-1.0-4T-R | L0022365 | | 1- | B | b3 |
| L 1068 | COIL | | | | E2 0.28-1.0-4T-R | L0022365 | | 1- | B | b3 |
| L 1069 | M.RFC | 0.015uH | | | TFL0816-15 | L1690493 | | 1- | B | b3 |
| L 1070 | M.RFC | 0.39uH | | 2% | C1608CB-R39G-RF | L1691107 | | 1- | B | a2 |
| L 1071 | M.RFC | 0.068uH | | 2% | C1608CB-68NG-RF | L1691042 | | 1- | A | E3 |
| L 1072 | M.RFC | 2.2uH | | | LK1608 2R2K-T | L1690634 | | 1- | B | a4 |
| L 1073 | M.RFC | 2.2uH | | | LK1608 2R2K-T | L1690634 | | 1- | B | a4 |
| L 1074 | M.RFC | 10uH | | 2% | KQ1008TE100G | L1691216 | | 1- | B | a4 |
| L 1075 | COIL RF | 278uH | | | #P613AN-0557Z=P3 | L0022998 | | 1- | A | E4 |
| L 1076 | M.RFC | 2.2uH | | | LK1608 2R2K-T | L1690634 | | 1- | B | a4 |
| L 1077 | M.RFC | 2.2uH | | | LK1608 2R2K-T | L1690634 | | 1- | B | a4 |
| L 1301 | M.RFC | 0.015uH | | | TFL0816-15 | L1690493 | | 1- | A | C4 |
| L 1302 | M.RFC | 0.047uH | | | TFL0816-47 | L1690499 | | 1- | A | C3 |
| L 1303 | M.RFC | 0.15uH | | | LK1608 R15K-T | L1690409 | | 1- | B | c4 |
| L 1304 | CHIP COIL | 0.039uH | | 2% | LQW2BHN39NG03L | L1690798 | | 1- | B | c4 |
| L 1305 | M.RFC | 0.018uH | | 2% | C1608CB-18NG-RF | L1691035 | | 1- | B | c4 |
| L 1306 | M.RFC | 0.39uH | | 2% | C1608CB-R39G-RF | L1691107 | | 1- | A | C5 |
| L 1307 | M.RFC | 1uH | | | LK1608 1R0K-T | L1690687 | | 1- | B | c5 |
| L 1308 | M.RFC | 1uH | | | LK1608 1R0K-T | L1690687 | | 1- | A | C4 |
| L 1309 | M.RFC | 0.022uH | | | TFL0816-22 | L1690495 | | 1- | B | c4 |

MAIN-Unit

Parts List

| REF | DESCRIPTION | VALUE | V/W | TOL. | MFR'S DESIG | VXSTD P/N | VERS. | LOT | SIDE | LAY ADR |
|--------|-------------|----------|-----|------|------------------------|-----------|-------|-----|------|---------|
| L 1310 | COIL | | | | E2 0.3-1.1-3T-R | L0022579 | | 1- | B | c4 |
| L 1311 | M.RFC | 0.0047uH | | | TFL0816-4N7 | L1690487 | | 1- | B | c4 |
| L 1312 | M.RFC | 1uH | | | LK1608 1R0K-T | L1690687 | | 1- | B | c4 |
| L 1313 | M.RFC | 1uH | | | LK1608 1R0K-T | L1690687 | | 1- | A | C4 |
| L 1314 | M.RFC | 0.39uH | | 2% | C1608CB-R39G-RF | L1691107 | | 1- | A | C4 |
| L 1315 | M.RFC | 1uH | | | LK1608 1R0K-T | L1690687 | | 1- | B | b3 |
| L 1401 | M.RFC | 4.7uH | | | LK1608 4R7K-T | L1690688 | | 1- | A | D4 |
| L 1402 | M.RFC | 0.39uH | | 2% | C1608CB-R39G-RF | L1691107 | | 1- | A | D4 |
| L 1403 | M.RFC | 0.22uH | | 2% | C1608CB-R22G-RF | L1691103 | | 1- | A | D4 |
| L 1404 | M.RFC | 0.22uH | | 2% | C1608CB-R22G-RF | L1691103 | | 1- | A | D4 |
| L 1405 | M.RFC | 0.22uH | | 2% | C1608CB-R22G-RF | L1691103 | | 1- | A | D4 |
| L 1406 | M.RFC | 0.39uH | | 2% | C1608CB-R39G-RF | L1691107 | | 1- | A | D4 |
| L 1407 | M.RFC | 0.39uH | | 2% | C1608CB-R39G-RF | L1691107 | | 1- | A | D4 |
| L 1408 | M.RFC | 0.39uH | | 2% | C1608CB-R39G-RF | L1691107 | | 1- | A | D4 |
| L 1409 | M.RFC | 10uH | | 2% | KQ1008TE100G | L1691216 | | 1- | B | a4 |
| L 1601 | M.RFC | 1uH | | | LK1608 1R0K-T | L1690687 | | 1- | A | C5 |
| L 1602 | M.RFC | 1uH | | | LK1608 1R0K-T | L1690687 | | 1- | B | e2 |
| L 1701 | M.RFC | 100uH | | | LLM3225-101J | L1691145 | | 1- | B | d5 |
| L 1702 | M.RFC | 1uH | | | LK1608 1R0K-T | L1690687 | | 1- | B | d5 |
| Q 1001 | FET | | | | RD70HVF1-101 | G3090140 | | 1- | A | C2 |
| Q 1002 | FET | | | | RD07MVS1-T12 | G3070320 | | 1- | A | C3 |
| Q 1003 | FET | | | | 2SK2596BXTL-E | G3825967 | | 1- | A | C3 |
| Q 1004 | TRANSISTOR | | | | 2SC5277-D2-TL | G3352778B | | 1- | B | a2 |
| Q 1005 | TRANSISTOR | | | | 2SC5006-T1 | G3350068 | | 1- | B | b2 |
| Q 1006 | TRANSISTOR | | | | 2SC5006-T1 | G3350068 | | 1- | B | b3 |
| Q 1007 | FET | | | | 3SK296ZQ-TL-E | G4802968 | | 1- | A | D3 |
| Q 1008 | TRANSISTOR | | | | 2SC5006-T1 | G3350068 | | 1- | A | D3 |
| Q 1009 | FET | | | | 3SK296ZQ-TL-E | G4802968 | | 1- | B | a3 |
| Q 1010 | FET | | | | 3SK296ZQ-TL-E | G4802968 | | 1- | B | b4 |
| Q 1011 | FET | | | | 3SK296ZQ-TL-E | G4802968 | | 1- | B | a2 |
| Q 1012 | TRANSISTOR | | | | 2SC5006-T1 | G3350068 | | 1- | A | D3 |
| Q 1013 | FET | | | | 3SK296ZQ-TL-E | G4802968 | | 1- | B | b3 |
| Q 1014 | IC | | | | LV24100LP-TLM-E | G1094371 | | 1- | A | E4 |
| Q 1301 | TRANSISTOR | | | | DTC144EE TL | G3070075 | | 1- | B | d5 |
| Q 1302 | TRANSISTOR | | | | DTC144EE TL | G3070075 | | 1- | B | d5 |
| Q 1303 | TRANSISTOR | | | | DTC144EE TL | G3070075 | | 1- | A | C4 |
| Q 1304 | IC | | | | MB15A02PFV1-G-BND-EFE1 | G1092541 | | 1- | A | C5 |
| Q 1305 | TRANSISTOR | | | | 2SA1774 TL R | G3117748R | | 1- | B | b4 |
| Q 1306 | TRANSISTOR | | | | 2SC4617 TL R | G3346178R | | 1- | B | b5 |
| Q 1307 | TRANSISTOR | | | | 2SC5006-T1 | G3350068 | | 1- | A | C4 |
| Q 1308 | TRANSISTOR | | | | 2SC5006-T1 | G3350068 | | 1- | B | c4 |
| Q 1309 | TRANSISTOR | | | | 2SC5006-T1 | G3350068 | | 1- | B | c4 |
| Q 1310 | TRANSISTOR | | | | 2SC5006-T1 | G3350068 | | 1- | A | C4 |
| Q 1311 | TRANSISTOR | | | | 2SC5006-T1 | G3350068 | | 1- | A | C4 |
| Q 1312 | TRANSISTOR | | | | 2SC5006-T1 | G3350068 | | 1- | B | c4 |
| Q 1313 | TRANSISTOR | | | | 2SC5006-T1 | G3350068 | | 1- | B | c4 |
| Q 1314 | TRANSISTOR | | | | DTA144EE TL | G3070074 | | 1- | B | c3 |
| Q 1315 | TRANSISTOR | | | | DTC144EE TL | G3070075 | | 1- | B | c3 |
| Q 1316 | TRANSISTOR | | | | DTC144EE TL | G3070075 | | 1- | B | c3 |
| Q 1317 | IC | | | | LM2904PWR | G1094010 | | 1- | B | c4 |
| Q 1401 | TRANSISTOR | | | | 2SC4617 TL R | G3346178R | | 1- | A | E4 |
| Q 1402 | TRANSISTOR | | | | DTC144EE TL | G3070075 | | 1- | A | E4 |
| Q 1403 | TRANSISTOR | | | | 2SC4915-O(TE85L.F) | G3349158O | | 1- | A | D4 |
| Q 1404 | TRANSISTOR | | | | 2SC4915-O(TE85L.F) | G3349158O | | 1- | A | D4 |
| Q 1405 | TRANSISTOR | | | | 2SC4915-O(TE85L.F) | G3349158O | | 1- | A | D4 |
| Q 1406 | TRANSISTOR | | | | 2SC4915-O(TE85L.F) | G3349158O | | 1- | A | D4 |
| Q 1407 | TRANSISTOR | | | | 2SC4915-O(TE85L.F) | G3349158O | | 1- | A | D4 |
| Q 1408 | IC | | | | NJM2552V-TE1 | G1094382 | | 1- | A | E4 |
| Q 1409 | TRANSISTOR | | | | DTA144EE TL | G3070074 | | 1- | A | E5 |
| Q 1410 | TRANSISTOR | | | | DTA144EE TL | G3070074 | | 1- | B | a4 |
| Q 1411 | TRANSISTOR | | | | DTA144EE TL | G3070074 | | 1- | A | E4 |
| Q 1412 | TRANSISTOR | | | | DTA114EE TL | G3070263 | | 1- | A | D5 |
| Q 1413 | TRANSISTOR | | | | DTA114EE TL | G3070263 | | 1- | B | b5 |
| Q 1415 | TRANSISTOR | | | | 2SC4617 TL R | G3346178R | | 1- | B | a4 |
| Q 1416 | TRANSISTOR | | | | DTC144EE TL | G3070075 | | 1- | B | c5 |
| Q 1417 | TRANSISTOR | | | | DTC144EE TL | G3070075 | | 1- | B | c6 |
| Q 1418 | TRANSISTOR | | | | DTC144EE TL | G3070075 | | 1- | B | c6 |
| Q 1419 | IC | | | | LM2902PWR | G1094009 | | 1- | A | C6 |
| Q 1420 | IC | | | | LM2904PWR | G1094010 | | 1- | A | B3 |
| Q 1501 | IC | | | | LM2902PWR | G1094009 | | 1- | B | d4 |

MAIN-Unit

Parts List

| REF | DESCRIPTION | VALUE | V/W | TOL. | MFR'S DESIG | VXSTD P/N | VERS. | LOT | SIDE | LAY ADR |
|--------|-------------|-------|-------|------|-----------------------|-----------|-------|-----|------|---------|
| Q 1502 | TRANSISTOR | | | | DTC144EE TL | G3070075 | | 1- | B | d4 |
| Q 1503 | IC | | | | LM2902PWR | G1094009 | | 1- | B | c5 |
| Q 1504 | TRANSISTOR | | | | 2SC4617 TL R | G3346178R | | 1- | B | c5 |
| Q 1505 | IC | | | | BU9253FS-E2 | G1094359 | | 1- | B | d4 |
| Q 1506 | IC | | | | CD4053BPWR | G1093864 | | 1- | A | B4 |
| Q 1507 | TRANSISTOR | | | | DTC144EE TL | G3070075 | | 1- | B | e5 |
| Q 1508 | IC | | | | LM2904PWR | G1094010 | | 1- | A | B4 |
| Q 1509 | IC | | | | M62429FP-CF0R | G1093655 | | 1- | A | A4 |
| Q 1510 | IC | | | | CD4053BPWR | G1093864 | | 1- | A | A4 |
| Q 1511 | IC | | | | M61524FP-DF0G | G1094357 | | 1- | A | A2 |
| Q 1512 | TRANSISTOR | | | | DTC144EE TL | G3070075 | | 1- | B | e3 |
| Q 1601 | FET | | | | 2SK397300L | G3839738 | | 1- | B | e2 |
| Q 1602 | IC | | | | TDA1519CTH | G1093778 | | 1- | B | e2 |
| Q 1603 | FET | | | | 2SK397300L | G3839738 | | 1- | B | e3 |
| Q 1604 | TRANSISTOR | | | | DTC144EE TL | G3070075 | | 1- | B | e3 |
| Q 1605 | TRANSISTOR | | | | DTC144EE TL | G3070075 | | 1- | B | e5 |
| Q 1606 | TRANSISTOR | | | | DTC144EE TL | G3070075 | | 1- | B | e3 |
| Q 1607 | TRANSISTOR | | | | 2SC4617 TL R | G3346178R | | 1- | B | e3 |
| Q 1608 | IC | | | | TDA2822D013TR | G1091542 | | 1- | B | e4 |
| Q 1609 | TRANSISTOR | | | | 2SC4617 TL R | G3346178R | | 1- | B | e5 |
| Q 1610 | TRANSISTOR | | | | 2SC4617 TL R | G3346178R | | 1- | B | e5 |
| Q 1611 | IC | | | | TDA2822D013TR | G1091542 | | 1- | B | e4 |
| Q 1612 | TRANSISTOR | | | | 2SC4617 TL R | G3346178R | | 1- | B | d4 |
| Q 1613 | TRANSISTOR | | | | 2SC4617 TL R | G3346178R | | 1- | B | d5 |
| Q 1614 | FET | | | | 2SK397300L | G3839738 | | 1- | B | e2 |
| Q 1701 | TRANSISTOR | | | | 2SC4617 TL R | G3346178R | | 1- | B | d4 |
| Q 1702 | IC | | | | BA09CC0FP(TAPE) | G1094432 | | 1- | B | d2 |
| Q 1703 | TRANSISTOR | | | | 2SB1301-T2 ZQ/ZP | G3213017Q | | 1- | B | d1 |
| Q 1704 | IC | | | | BA09CC0FP(TAPE) | G1094432 | | 1- | B | d2 |
| Q 1705 | IC | | | | NJM78M05DL1A-TE1 | G1093660 | | 1- | B | d3 |
| Q 1706 | IC | | | | XC6201P402MR | G1094380 | | 1- | B | a4 |
| Q 1708 | TRANSISTOR | | | | DTC144EE TL | G3070075 | | 1- | B | d1 |
| Q 1709 | IC | | | | S-35190A-T8T1G | G1094356 | | 1- | B | d5 |
| Q 1710 | TRANSISTOR | | | | 2SC4617 TL R | G3346178R | | 1- | A | A5 |
| Q 1711 | TRANSISTOR | | | | 2SC4617 TL R | G3346178R | | 1- | B | d5 |
| Q 1712 | IC | | | | NJM78L05UA-TE1 | G1091325 | | 1- | B | e5 |
| Q 1714 | TRANSISTOR | | | | 2SC4617 TL R | G3346178R | | 1- | B | d5 |
| Q 1715 | IC | | | | S-80823CNMC-B8I-T2G | G1093635 | | 1- | B | d5 |
| Q 1716 | IC | | | | M24256-BWDW6TP | G1094409 | | 1- | A | A5 |
| Q 1801 | TRANSISTOR | | | | IMT17 T110 | G3070295 | | 1- | B | d4 |
| Q 1802 | TRANSISTOR | | | | DTC144EE TL | G3070075 | | 1- | A | B4 |
| Q 1803 | TRANSISTOR | | | | UMD5N TR | G3070343 | | 1- | A | C5 |
| Q 1804 | TRANSISTOR | | | | UMD5N TR | G3070343 | | 1- | A | C5 |
| Q 1805 | TRANSISTOR | | | | UMD5N TR | G3070343 | | 1- | A | D5 |
| Q 1806 | TRANSISTOR | | | | UMD5N TR | G3070343 | | 1- | B | b5 |
| Q 1807 | TRANSISTOR | | | | UMD5N TR | G3070343 | | 1- | B | c5 |
| Q 1808 | TRANSISTOR | | | | DTA143EE TL | G3070252 | | 1- | A | B4 |
| Q 1809 | TRANSISTOR | | | | DTA143EE TL | G3070252 | | 1- | A | B4 |
| Q 1810 | TRANSISTOR | | | | DTA144EE TL | G3070074 | | 1- | A | B4 |
| Q 1811 | TRANSISTOR | | | | DTC144EE TL | G3070075 | | 1- | A | B4 |
| Q 1812 | TRANSISTOR | | | | DTC144EE TL | G3070075 | | 1- | B | d5 |
| Q 1813 | IC | | | | HD64F2266TF13V(FLASH) | G1093813 | | 1- | A | B5 |
| Q 1814 | IC | | | | TC7W53FU(TE12L_F) | G1094158 | | 1- | A | A4 |
| Q 1816 | IC | | | | BA00CC0WFP-E2 | G1094424 | | 1- | B | e5 |
| Q 1817 | TRANSISTOR | | | | DTC144EE TL | G3070075 | | 1- | B | e5 |
| Q 1818 | TRANSISTOR | | | | DTC144EE TL | G3070075 | | 5- | A | D5 |
| R 1001 | CHIP RES. | 47 | 1/16W | 5% | RMC1/16S 470JTH | J24189009 | | 1- | B | c2 |
| R 1002 | CHIP RES. | 47 | 1/16W | 5% | RMC1/16S 470JTH | J24189009 | | 1- | B | c2 |
| R 1003 | CHIP RES. | 47 | 1/16W | 5% | RMC1/16S 470JTH | J24189009 | | 1- | B | c2 |
| R 1004 | CHIP RES. | 22k | 1/16W | 5% | RMC1/16S 223JTH | J24189041 | | 1- | B | d2 |
| R 1005 | CHIP RES. | 8.2k | 1/16W | 5% | RMC1/16S 822JTH | J24189036 | | 1- | B | d2 |
| R 1006 | CHIP RES. | 3.3k | 1/16W | 5% | RMC1/16S 332JTH | J24189031 | | 1- | B | c2 |
| R 1007 | CHIP RES. | 3.3k | 1/16W | 5% | RMC1/16S 332JTH | J24189031 | | 1- | B | d2 |
| R 1008 | CHIP RES. | 3.3k | 1/16W | 5% | RMC1/16S 332JTH | J24189031 | | 1- | B | c2 |
| R 1009 | CHIP RES. | 3.3k | 1/16W | 5% | RMC1/16S 332JTH | J24189031 | | 1- | B | c2 |
| R 1010 | CHIP RES. | 3.3k | 1/16W | 5% | RMC1/16S 332JTH | J24189031 | | 1- | B | c2 |
| R 1011 | CHIP RES. | 3.3k | 1/16W | 5% | RMC1/16S 332JTH | J24189031 | | 1- | B | c2 |
| R 1012 | CHIP RES. | 1k | 1/16W | 5% | RMC1/16 102JATP | J24185102 | | 1- | A | B2 |
| R 1013 | CHIP RES. | 1k | 1/16W | 5% | RMC1/16 102JATP | J24185102 | | 1- | A | B2 |
| R 1014 | CHIP RES. | 1k | 1/16W | 5% | RMC1/16 102JATP | J24185102 | | 1- | A | B2 |

MAIN-Unit

Parts List

| REF | DESCRIPTION | VALUE | V/W | TOL. | MFR'S DESIG | VXSTD P/N | VERS. | LOT | SIDE | LAY ADR |
|--------|-------------|-------|-------|------|-----------------|-----------|-------|-----|------|---------|
| R 1015 | CHIP RES. | 1k | 1/16W | 5% | RMC1/16 102JATP | J24185102 | | 1- | A | B2 |
| R 1016 | CHIP RES. | 47 | 1/16W | 5% | RMC1/16S 470JTH | J24189009 | | 1- | B | d3 |
| R 1017 | CHIP RES. | 8.2k | 1/16W | 5% | RMC1/16S 822JTH | J24189036 | | 1- | B | c3 |
| R 1018 | CHIP RES. | 68k | 1/16W | 5% | RMC1/16S 683JTH | J24189047 | | 1- | B | c3 |
| R 1019 | CHIP RES. | 12k | 1/16W | 5% | RMC1/16S 123JTH | J24189038 | | 1- | B | c3 |
| R 1020 | CHIP RES. | 82 | 1/16W | 5% | RMC1/16S 820JTH | J24189012 | | 1- | B | c3 |
| R 1021 | CHIP RES. | 82 | 1/16W | 5% | RMC1/16S 820JTH | J24189012 | | 1- | B | c3 |
| R 1022 | CHIP RES. | 1.5k | 1/16W | 5% | RMC1/16S 152JTH | J24189027 | | 1- | A | B3 |
| R 1023 | CHIP RES. | 1.5k | 1/16W | 5% | RMC1/16S 152JTH | J24189027 | | 1- | A | B3 |
| R 1024 | CHIP RES. | 1.5k | 1/16W | 5% | RMC1/16S 152JTH | J24189027 | | 1- | A | B3 |
| R 1025 | CHIP RES. | 1.5k | 1/16W | 5% | RMC1/16S 152JTH | J24189027 | | 1- | A | B3 |
| R 1026 | CHIP RES. | 1.5k | 1/16W | 5% | RMC1/16S 152JTH | J24189027 | | 1- | A | B3 |
| R 1027 | CHIP RES. | 1.5k | 1/16W | 5% | RMC1/16S 152JTH | J24189027 | | 1- | A | B3 |
| R 1029 | CHIP RES. | 33 | 1/16W | 5% | RMC1/16S 330JTH | J24189007 | | 1 | A | C3 |
| R 1030 | CHIP RES. | 33 | 1/16W | 5% | RMC1/16S 330JTH | J24189007 | | 1 | A | C3 |
| R 1035 | CHIP RES. | 47 | 1/16W | 5% | RMC1/16S 470JTH | J24189009 | | 1- | A | C3 |
| R 1036 | CHIP RES. | 220 | 1/16W | 5% | RMC1/16S 221JTH | J24189017 | | 1 | A | C3 |
| R 1037 | CHIP RES. | 220 | 1/16W | 5% | RMC1/16S 221JTH | J24189017 | | 1 | A | C3 |
| R 1038 | CHIP RES. | 27k | 1/16W | 5% | RMC1/16S 273JTH | J24189042 | | 1- | B | c3 |
| R 1039 | CHIP RES. | 220 | 1/16W | 5% | RMC1/16S 221JTH | J24189017 | | 1- | B | c3 |
| R 1040 | CHIP RES. | 22k | 1/16W | 5% | RMC1/16S 223JTH | J24189041 | | 1- | B | c3 |
| R 1041 | CHIP RES. | 4.7k | 1/16W | 5% | RMC1/16S 472JTH | J24189033 | | 1- | A | C3 |
| R 1042 | CHIP RES. | 10k | 1/16W | 5% | RMC1/16S 103JTH | J24189037 | | 1- | B | a2 |
| R 1043 | CHIP RES. | 10k | 1/16W | 5% | RMC1/16S 103JTH | J24189037 | | 1- | B | a1 |
| R 1044 | CHIP RES. | 33k | 1/16W | 5% | RMC1/16S 333JTH | J24189043 | | 1- | B | b3 |
| R 1045 | CHIP RES. | 10k | 1/16W | 5% | RMC1/16S 103JTH | J24189037 | | 1- | A | E3 |
| R 1046 | CHIP RES. | 10k | 1/16W | 5% | RMC1/16S 103JTH | J24189037 | | 1- | A | E3 |
| R 1047 | CHIP RES. | 680 | 1/16W | 5% | RMC1/16S 681JTH | J24189023 | | 1- | A | D3 |
| R 1048 | CHIP RES. | 680 | 1/16W | 5% | RMC1/16S 681JTH | J24189023 | | 1- | A | D3 |
| R 1049 | CHIP RES. | 680 | 1/16W | 5% | RMC1/16S 681JTH | J24189023 | | 1- | A | D3 |
| R 1050 | CHIP RES. | 680 | 1/16W | 5% | RMC1/16S 681JTH | J24189023 | | 1- | A | D3 |
| R 1051 | CHIP RES. | 680 | 1/16W | 5% | RMC1/16S 681JTH | J24189023 | | 1- | A | D3 |
| R 1052 | CHIP RES. | 560 | 1/16W | 5% | RMC1/16S 561JTH | J24189022 | | 1- | A | D3 |
| R 1053 | CHIP RES. | 560 | 1/16W | 5% | RMC1/16S 561JTH | J24189022 | | 1- | A | D3 |
| R 1054 | CHIP RES. | 560 | 1/16W | 5% | RMC1/16S 561JTH | J24189022 | | 1- | A | D3 |
| R 1055 | CHIP RES. | 560 | 1/16W | 5% | RMC1/16S 561JTH | J24189022 | | 1- | A | D3 |
| R 1056 | CHIP RES. | 560 | 1/16W | 5% | RMC1/16S 561JTH | J24189022 | | 1- | A | D3 |
| R 1057 | CHIP RES. | 15 | 1/16W | 5% | RMC1/16S 150JTH | J24189003 | | 1- | A | D3 |
| R 1058 | CHIP RES. | 15 | 1/16W | 5% | RMC1/16S 150JTH | J24189003 | | 1- | A | D3 |
| R 1059 | CHIP RES. | 15 | 1/16W | 5% | RMC1/16S 150JTH | J24189003 | | 1- | A | D3 |
| R 1060 | CHIP RES. | 15 | 1/16W | 5% | RMC1/16S 150JTH | J24189003 | | 1- | A | D3 |
| R 1061 | CHIP RES. | 1M | 1/16W | 5% | RMC1/16S 105JTH | J24189061 | | 1- | B | a2 |
| R 1062 | CHIP RES. | 10k | 1/16W | 5% | RMC1/16S 103JTH | J24189037 | | 1- | B | a2 |
| R 1063 | CHIP RES. | 10k | 1/16W | 5% | RMC1/16S 103JTH | J24189037 | | 1- | B | a2 |
| R 1064 | CHIP RES. | 10k | 1/16W | 5% | RMC1/16S 103JTH | J24189037 | | 1- | B | b2 |
| R 1065 | CHIP RES. | 10k | 1/16W | 5% | RMC1/16S 103JTH | J24189037 | | 1- | B | b2 |
| R 1066 | CHIP RES. | 220 | 1/16W | 5% | RMC1/16S 221JTH | J24189017 | | 1- | B | b3 |
| R 1067 | CHIP RES. | 220 | 1/16W | 5% | RMC1/16S 221JTH | J24189017 | | 1- | B | b3 |
| R 1068 | CHIP RES. | 220 | 1/16W | 5% | RMC1/16S 221JTH | J24189017 | | 1- | B | b3 |
| R 1069 | CHIP RES. | 220 | 1/16W | 5% | RMC1/16S 221JTH | J24189017 | | 1- | B | b3 |
| R 1070 | CHIP RES. | 220 | 1/16W | 5% | RMC1/16S 221JTH | J24189017 | | 1- | B | b3 |
| R 1071 | CHIP RES. | 220 | 1/16W | 5% | RMC1/16S 221JTH | J24189017 | | 1- | B | c3 |
| R 1072 | CHIP RES. | 220 | 1/16W | 5% | RMC1/16S 221JTH | J24189017 | | 1- | B | c3 |
| R 1073 | CHIP RES. | 220 | 1/16W | 5% | RMC1/16S 221JTH | J24189017 | | 1- | B | c3 |
| R 1074 | CHIP RES. | 220 | 1/16W | 5% | RMC1/16S 221JTH | J24189017 | | 1- | B | c3 |
| R 1075 | CHIP RES. | 27 | 1/16W | 5% | RMC1/16S 270JTH | J24189006 | | 1- | B | c3 |
| R 1076 | CHIP RES. | 27 | 1/16W | 5% | RMC1/16S 270JTH | J24189006 | | 1- | B | c3 |
| R 1077 | CHIP RES. | 27 | 1/16W | 5% | RMC1/16S 270JTH | J24189006 | | 1- | B | c3 |
| R 1078 | CHIP RES. | 100k | 1/16W | 5% | RMC1/16S 104JTH | J24189049 | | 1- | B | b2 |
| R 1079 | CHIP RES. | 33k | 1/16W | 5% | RMC1/16S 333JTH | J24189043 | | 1- | B | a2 |
| R 1080 | CHIP RES. | 100 | 1/16W | 5% | RMC1/16S 101JTH | J24189013 | | 1- | B | b2 |
| R 1081 | CHIP RES. | 1k | 1/16W | 5% | RMC1/16S 102JTH | J24189025 | | 1- | B | a2 |
| R 1082 | CHIP RES. | 100k | 1/16W | 5% | RMC1/16S 104JTH | J24189049 | | 1- | B | b3 |
| R 1083 | CHIP RES. | 100k | 1/16W | 5% | RMC1/16S 104JTH | J24189049 | | 1- | B | b3 |
| R 1084 | CHIP RES. | 100 | 1/16W | 5% | RMC1/16S 101JTH | J24189013 | | 1- | B | b3 |
| R 1085 | CHIP RES. | 47k | 1/16W | 5% | RMC1/16S 473JTH | J24189045 | | 1- | B | b3 |
| R 1086 | CHIP RES. | 560k | 1/16W | 5% | RMC1/16S 564JTH | J24189058 | | 1- | B | b3 |
| R 1087 | CHIP RES. | 100k | 1/16W | 5% | RMC1/16S 104JTH | J24189049 | | 1- | B | b3 |
| R 1088 | CHIP RES. | 100 | 1/16W | 5% | RMC1/16S 101JTH | J24189013 | | 1- | B | b3 |
| R 1089 | CHIP RES. | 470 | 1/16W | 5% | RMC1/16S 471JTH | J24189021 | | 1- | B | b3 |

MAIN-Unit

Parts List

| REF | DESCRIPTION | VALUE | V/W | TOL. | MFR'S DESIG | VXSTD P/N | VERS. | LOT | SIDE | LAY ADR |
|--------|-------------|-------|-------|------|-----------------|-----------|--------------|-----|------|---------|
| R 1090 | CHIP RES. | 100 | 1/16W | 5% | RMC1/16S 101JTH | J24189013 | | 1-4 | B | b3 |
| R 1090 | CHIP RES. | 22 | 1/16W | 5% | RMC1/16S 220JTH | J24189005 | W/ CE LABEL | 5- | B | b3 |
| R 1090 | CHIP RES. | 100 | 1/16W | 5% | RMC1/16S 101JTH | J24189013 | W/O CE LABEL | 5- | B | b3 |
| R 1091 | CHIP RES. | 4.7k | 1/16W | 5% | RMC1/16S 472JTH | J24189033 | | 1- | B | a2 |
| R 1092 | CHIP RES. | 4.7k | 1/16W | 5% | RMC1/16S 472JTH | J24189033 | | 1- | A | E3 |
| R 1093 | CHIP RES. | 470k | 1/16W | 5% | RMC1/16S 474JTH | J24189057 | | 1- | A | E3 |
| R 1094 | CHIP RES. | 47k | 1/16W | 0.5% | RR0510R-473-D | J24189159 | | 1- | A | D3 |
| R 1095 | CHIP RES. | 10k | 1/16W | 5% | RMC1/16S 103JTH | J24189037 | | 1- | A | E3 |
| R 1097 | CHIP RES. | 47 | 1/16W | 5% | RMC1/16S 470JTH | J24189009 | | 1- | A | D3 |
| R 1098 | CHIP RES. | 470 | 1/16W | 5% | RMC1/16S 471JTH | J24189021 | | 1- | A | D4 |
| R 1099 | CHIP RES. | 100 | 1/16W | 5% | RMC1/16S 101JTH | J24189013 | | 1- | A | D4 |
| R 1100 | CHIP RES. | 820k | 1/16W | 5% | RMC1/16S 824JTH | J24189060 | | 1- | A | D4 |
| R 1101 | CHIP RES. | 4.7k | 1/16W | 5% | RMC1/16S 472JTH | J24189033 | | 1- | A | D4 |
| R 1102 | CHIP RES. | 470 | 1/16W | 5% | RMC1/16S 471JTH | J24189021 | | 1- | A | D4 |
| R 1103 | CHIP RES. | 4.7k | 1/16W | 5% | RMC1/16S 472JTH | J24189033 | | 1- | B | a3 |
| R 1104 | CHIP RES. | 4.7k | 1/16W | 5% | RMC1/16S 472JTH | J24189033 | | 1- | B | a3 |
| R 1105 | CHIP RES. | 100k | 1/16W | 5% | RMC1/16S 104JTH | J24189049 | | 1- | B | a3 |
| R 1107 | CHIP RES. | 82k | 1/16W | 0.5% | RR0510R-823-D | J24189165 | | 1- | B | a3 |
| R 1109 | CHIP RES. | 10k | 1/16W | 0.5% | RR0510P-103-D | J24189143 | | 1- | B | a3 |
| R 1110 | CHIP RES. | 15 | 1/16W | 5% | RMC1/16S 150JTH | J24189003 | | 1- | B | a3 |
| R 1111 | CHIP RES. | 2.2k | 1/16W | 5% | RMC1/16S 222JTH | J24189029 | | 1- | B | a3 |
| R 1112 | CHIP RES. | 0 | 1/16W | 5% | RMC1/16S JPTH | J24189070 | | 1- | B | a3 |
| R 1113 | CHIP RES. | 220k | 1/16W | 5% | RMC1/16S 224JTH | J24189053 | | 1- | B | b4 |
| R 1114 | CHIP RES. | 220k | 1/16W | 5% | RMC1/16S 224JTH | J24189053 | | 1- | B | b3 |
| R 1115 | CHIP RES. | 220k | 1/16W | 5% | RMC1/16S 224JTH | J24189053 | | 1- | B | b3 |
| R 1116 | CHIP RES. | 15k | 1/16W | 5% | RMC1/16S 153JTH | J24189039 | | 1- | B | b4 |
| R 1117 | CHIP RES. | 120k | 1/16W | 5% | RMC1/16S 124JTH | J24189050 | | 1- | B | b4 |
| R 1118 | CHIP RES. | 47k | 1/16W | 5% | RMC1/16S 473JTH | J24189045 | | 1- | B | b4 |
| R 1119 | CHIP RES. | 220k | 1/16W | 5% | RMC1/16S 224JTH | J24189053 | | 1- | B | b4 |
| R 1120 | CHIP RES. | 150 | 1/16W | 5% | RMC1/16S 151JTH | J24189015 | | 1- | B | b4 |
| R 1121 | CHIP RES. | 470 | 1/16W | 5% | RMC1/16S 471JTH | J24189021 | | 1- | B | b4 |
| R 1122 | CHIP RES. | 47 | 1/16W | 5% | RMC1/16S 470JTH | J24189009 | | 1- | B | a2 |
| R 1123 | CHIP RES. | 47k | 1/16W | 0.5% | RR0510R-473-D | J24189159 | | 1- | B | a2 |
| R 1124 | CHIP RES. | 100k | 1/16W | 0.5% | RR0510R-104-D | J24189167 | | 1- | B | a2 |
| R 1125 | CHIP RES. | 47 | 1/16W | 5% | RMC1/16S 470JTH | J24189009 | | 1- | B | a2 |
| R 1126 | CHIP RES. | 330k | 1/16W | 5% | RMC1/16S 334JTH | J24189055 | | 1- | B | a2 |
| R 1127 | CHIP RES. | 100k | 1/16W | 5% | RMC1/16S 104JTH | J24189049 | | 1- | B | a2 |
| R 1129 | CHIP RES. | 10 | 1/16W | 5% | RMC1/16S 100JTH | J24189001 | | 1- | A | E3 |
| R 1130 | CHIP RES. | 4.7k | 1/16W | 5% | RMC1/16S 472JTH | J24189033 | | 1- | A | D3 |
| R 1131 | CHIP RES. | 100 | 1/16W | 5% | RMC1/16S 101JTH | J24189013 | | 1- | A | D3 |
| R 1132 | CHIP RES. | 47k | 1/16W | 5% | RMC1/16S 473JTH | J24189045 | | 1- | A | D3 |
| R 1134 | CHIP RES. | 1M | 1/16W | 5% | RMC1/16S 105JTH | J24189061 | | 1- | A | D3 |
| R 1135 | CHIP RES. | 1k | 1/16W | 5% | RMC1/16S 102JTH | J24189025 | | 1- | A | D3 |
| R 1136 | CHIP RES. | 4.7k | 1/16W | 5% | RMC1/16S 472JTH | J24189033 | | 1- | B | a3 |
| R 1137 | CHIP RES. | 100 | 1/16W | 5% | RMC1/16S 101JTH | J24189013 | | 1- | B | b3 |
| R 1138 | CHIP RES. | 100k | 1/16W | 5% | RMC1/16S 104JTH | J24189049 | | 1- | B | b3 |
| R 1139 | CHIP RES. | 100k | 1/16W | 5% | RMC1/16S 104JTH | J24189049 | | 1- | B | b3 |
| R 1140 | CHIP RES. | 100k | 1/16W | 5% | RMC1/16S 104JTH | J24189049 | | 1- | B | b3 |
| R 1141 | CHIP RES. | 47k | 1/16W | 5% | RMC1/16S 473JTH | J24189045 | | 1- | B | b3 |
| R 1142 | CHIP RES. | 33k | 1/16W | 5% | RMC1/16S 333JTH | J24189043 | | 1- | B | b3 |
| R 1143 | CHIP RES. | 220k | 1/16W | 5% | RMC1/16S 224JTH | J24189053 | | 1- | B | b3 |
| R 1144 | CHIP RES. | 100 | 1/16W | 5% | RMC1/16S 101JTH | J24189013 | | 1- | B | b3 |
| R 1145 | CHIP RES. | 220k | 1/16W | 5% | RMC1/16S 224JTH | J24189053 | | 1- | B | b3 |
| R 1146 | CHIP RES. | 1k | 1/16W | 5% | RMC1/16S 102JTH | J24189025 | | 1- | B | b3 |
| R 1147 | CHIP RES. | 150 | 1/16W | 5% | RMC1/16S 151JTH | J24189015 | | 1- | B | b3 |
| R 1149 | CHIP RES. | 39k | 1/16W | 5% | RMC1/16S 393JTH | J24189044 | | 1- | B | a4 |
| R 1150 | CHIP RES. | 39k | 1/16W | 5% | RMC1/16S 393JTH | J24189044 | | 1- | B | a4 |
| R 1151 | CHIP RES. | 39k | 1/16W | 5% | RMC1/16S 393JTH | J24189044 | | 1- | B | a4 |
| R 1152 | CHIP RES. | 10k | 1/16W | 5% | RMC1/16S 103JTH | J24189037 | | 1- | B | a4 |
| R 1153 | CHIP RES. | 10k | 1/16W | 5% | RMC1/16S 103JTH | J24189037 | | 1- | B | a4 |
| R 1154 | CHIP RES. | 10k | 1/16W | 5% | RMC1/16S 103JTH | J24189037 | | 1- | B | a4 |
| R 1155 | CHIP RES. | 47 | 1/16W | 5% | RMC1/16S 470JTH | J24189009 | | 1- | A | D3 |
| R 1156 | CHIP RES. | 47 | 1/16W | 5% | RMC1/16S 470JTH | J24189009 | | 1- | B | a3 |
| R 1157 | CHIP RES. | 100k | 1/16W | 5% | RMC1/16S 104JTH | J24189049 | | 1- | B | b4 |
| R 1158 | CHIP RES. | 100k | 1/16W | 5% | RMC1/16S 104JTH | J24189049 | | 1- | B | b4 |
| R 1159 | CHIP RES. | 0 | 1/16W | 5% | RMC1/16 000JATP | J24185000 | | 1- | B | a2 |
| R 1160 | CHIP RES. | 22 | 1/16W | 5% | RMC1/16S 220JTH | J24189005 | | 1- | A | E2 |
| R 1161 | CHIP RES. | 22 | 1/16W | 5% | RMC1/16S 220JTH | J24189005 | | 1- | A | E2 |
| R 1163 | CHIP RES. | 22 | 1/16W | 5% | RMC1/16S 220JTH | J24189005 | | 1- | A | E2 |
| R 1164 | CHIP RES. | 560 | 1/16W | 5% | RMC1/16S 561JTH | J24189022 | | 1- | A | D3 |

MAIN-Unit

Parts List

| REF | DESCRIPTION | VALUE | V/W | TOL. | MFR'S DESIG | VXSTD P/N | VERS. | LOT | SIDE | LAY ADR |
|--------|-------------|-------|-------|------|-----------------|-----------|--------------|-----|------|---------|
| R 1165 | CHIP RES. | 560 | 1/16W | 5% | RMC1/16S 561JTH | J24189022 | | 1- | A | D3 |
| R 1166 | CHIP RES. | 560 | 1/16W | 5% | RMC1/16S 561JTH | J24189022 | | 1- | A | D3 |
| R 1167 | CHIP RES. | 100 | 1/16W | 5% | RMC1/16S 101JTH | J24189013 | | 1- | B | a2 |
| R 1168 | CHIP RES. | 0 | 1/16W | 5% | RMC1/16 000JATP | J24185000 | | 1- | A | C3 |
| R 1169 | CHIP RES. | 2.2k | 1/16W | 5% | RMC1/16S 222JTH | J24189029 | | 1- | B | a2 |
| R 1301 | CHIP RES. | 470k | 1/16W | 5% | RMC1/16S 474JTH | J24189057 | | 1- | B | d5 |
| R 1302 | CHIP RES. | 1M | 1/16W | 5% | RMC1/16S 105JTH | J24189061 | | 1- | B | d5 |
| R 1303 | CHIP RES. | 18k | 1/16W | 0.5% | RR0510R-183-D | J24189149 | | 1- | B | b5 |
| R 1304 | CHIP RES. | 68k | 1/16W | 0.5% | RR0510R-683-D | J24189163 | | 1- | B | b4 |
| R 1305 | CHIP RES. | 0 | 1/16W | 5% | RMC1/16S JPTH | J24189070 | | 1- | B | b4 |
| R 1306 | CHIP RES. | 150k | 1/16W | 5% | RMC1/16S 154JTH | J24189051 | | 1- | B | b4 |
| R 1307 | CHIP RES. | 150k | 1/16W | 5% | RMC1/16S 154JTH | J24189051 | | 1- | B | b4 |
| R 1308 | CHIP RES. | 47k | 1/16W | 5% | RMC1/16S 473JTH | J24189045 | | 1- | A | D4 |
| R 1309 | CHIP RES. | 330k | 1/16W | 5% | RMC1/16S 334JTH | J24189055 | | 1- | A | C4 |
| R 1310 | CHIP RES. | 330k | 1/16W | 5% | RMC1/16S 334JTH | J24189055 | | 1- | A | D4 |
| R 1311 | CHIP RES. | 100k | 1/16W | 0.5% | RR0510R-104-D | J24189167 | | 1- | B | d5 |
| R 1312 | CHIP RES. | 3.3k | 1/16W | 5% | RMC1/16S 332JTH | J24189031 | | 1- | A | D5 |
| R 1313 | CHIP RES. | 100k | 1/16W | 5% | RMC1/16S 104JTH | J24189049 | | 1- | A | C5 |
| R 1314 | CHIP RES. | 100k | 1/16W | 5% | RMC1/16S 104JTH | J24189049 | | 1- | A | C5 |
| R 1315 | CHIP RES. | 100k | 1/16W | 5% | RMC1/16S 104JTH | J24189049 | | 1- | B | d5 |
| R 1316 | CHIP RES. | 39k | 1/16W | 0.5% | RR0510R-393-D | J24189157 | | 1- | B | d5 |
| R 1317 | CHIP RES. | 100 | 1/16W | 5% | RMC1/16S 101JTH | J24189013 | | 1- | A | C4 |
| R 1318 | CHIP RES. | 18k | 1/16W | 5% | RMC1/16S 183JTH | J24189040 | | 1- | B | c5 |
| R 1319 | CHIP RES. | 4.7k | 1/16W | 5% | RMC1/16S 472JTH | J24189033 | | 1- | B | b5 |
| R 1320 | CHIP RES. | 47 | 1/16W | 5% | RMC1/16S 470JTH | J24189009 | | 1- | B | b4 |
| R 1321 | CHIP RES. | 220k | 1/16W | 5% | RMC1/16S 224JTH | J24189053 | | 1- | A | C4 |
| R 1322 | CHIP RES. | 100k | 1/16W | 5% | RMC1/16S 104JTH | J24189049 | | 1- | B | c5 |
| R 1323 | CHIP RES. | 22k | 1/16W | 5% | RMC1/16S 223JTH | J24189041 | | 1- | A | C5 |
| R 1324 | CHIP RES. | 10k | 1/16W | 5% | RMC1/16S 103JTH | J24189037 | | 1- | A | C5 |
| R 1325 | CHIP RES. | 10k | 1/16W | 5% | RMC1/16S 103JTH | J24189037 | | 1- | A | C5 |
| R 1326 | CHIP RES. | 10k | 1/16W | 5% | RMC1/16S 103JTH | J24189037 | | 1- | A | C5 |
| R 1327 | CHIP RES. | 100 | 1/16W | 5% | RMC1/16S 101JTH | J24189013 | | 1- | A | C4 |
| R 1328 | CHIP RES. | 680 | 1/16W | 5% | RMC1/16S 681JTH | J24189023 | | 1- | A | C4 |
| R 1329 | CHIP RES. | 330 | 1/16W | 5% | RMC1/16S 331JTH | J24189019 | | 1- | A | C4 |
| R 1330 | CHIP RES. | 150 | 1/16W | 5% | RMC1/16S 151JTH | J24189015 | | 1- | A | C4 |
| R 1331 | CHIP RES. | 2.2k | 1/16W | 5% | RMC1/16S 222JTH | J24189029 | | 1- | A | C4 |
| R 1332 | CHIP RES. | 680k | 1/16W | 5% | RMC1/16S 684JTH | J24189059 | | 1- | A | C4 |
| R 1333 | CHIP RES. | 2.2k | 1/16W | 5% | RMC1/16S 222JTH | J24189029 | | 1- | A | C4 |
| R 1334 | CHIP RES. | 10k | 1/16W | 5% | RMC1/16S 103JTH | J24189037 | | 1- | A | C4 |
| R 1335 | CHIP RES. | 10k | 1/16W | 5% | RMC1/16S 103JTH | J24189037 | | 1- | A | B4 |
| R 1336 | CHIP RES. | 1k | 1/16W | 5% | RMC1/16S 102JTH | J24189025 | | 1 | A | C4 |
| R 1337 | CHIP RES. | 150 | 1/16W | 5% | RMC1/16S 151JTH | J24189015 | | 1 | A | C4 |
| R 1338 | CHIP RES. | 47 | 1/16W | 5% | RMC1/16S 470JTH | J24189009 | | 1- | A | C4 |
| R 1339 | CHIP RES. | 100 | 1/16W | 5% | RMC1/16S 101JTH | J24189013 | | 1- | A | C4 |
| R 1340 | CHIP RES. | 100 | 1/16W | 5% | RMC1/16S 101JTH | J24189013 | | 1- | A | C4 |
| R 1341 | CHIP RES. | 47 | 1/16W | 5% | RMC1/16S 470JTH | J24189009 | | 1- | A | C4 |
| R 1342 | CHIP RES. | 100 | 1/16W | 5% | RMC1/16S 101JTH | J24189013 | | 1- | A | D4 |
| R 1343 | CHIP RES. | 0 | 1/16W | 5% | RMC1/16S JPTH | J24189070 | | 1- | A | C4 |
| R 1344 | CHIP RES. | 100k | 1/16W | 5% | RMC1/16S 104JTH | J24189049 | | 1- | A | C4 |
| R 1345 | CHIP RES. | 47 | 1/16W | 5% | RMC1/16S 470JTH | J24189009 | | 1- | A | C4 |
| R 1346 | CHIP RES. | 100 | 1/16W | 5% | RMC1/16S 101JTH | J24189013 | | 1- | A | C4 |
| R 1347 | CHIP RES. | 220 | 1/16W | 5% | RMC1/16S 221JTH | J24189017 | | 1- | A | C4 |
| R 1348 | CHIP RES. | 1k | 1/16W | 5% | RMC1/16S 102JTH | J24189025 | | 1- | B | c4 |
| R 1349 | CHIP RES. | 33k | 1/16W | 5% | RMC1/16S 333JTH | J24189043 | | 1- | B | c4 |
| R 1350 | CHIP RES. | 1k | 1/16W | 5% | RMC1/16S 102JTH | J24189025 | | 1- | B | c4 |
| R 1351 | CHIP RES. | 220 | 1/16W | 5% | RMC1/16S 221JTH | J24189017 | | 1- | B | c4 |
| R 1352 | CHIP RES. | 15k | 1/16W | 5% | RMC1/16S 153JTH | J24189039 | | 1- | B | c4 |
| R 1353 | CHIP RES. | 22k | 1/16W | 5% | RMC1/16S 223JTH | J24189041 | | 1- | B | c4 |
| R 1354 | CHIP RES. | 3.3k | 1/16W | 5% | RMC1/16S 332JTH | J24189031 | | 1- | B | c4 |
| R 1355 | CHIP RES. | 270 | 1/16W | 5% | RMC1/16S 271JTH | J24189018 | | 1- | B | c5 |
| R 1356 | CHIP RES. | 100k | 1/16W | 5% | RMC1/16S 104JTH | J24189049 | | 1- | B | c5 |
| R 1357 | CHIP RES. | 470 | 1/16W | 5% | RMC1/16S 471JTH | J24189021 | | 1- | B | c5 |
| R 1359 | CHIP RES. | 22 | 1/16W | 5% | RMC1/16S 220JTH | J24189005 | | 1-4 | A | C4 |
| R 1359 | CHIP RES. | 100 | 1/16W | 5% | RMC1/16S 101JTH | J24189013 | W/ CE LABEL | 5- | A | C4 |
| R 1359 | CHIP RES. | 22 | 1/16W | 5% | RMC1/16S 220JTH | J24189005 | W/O CE LABEL | 5- | A | C4 |
| R 1360 | CHIP RES. | 33k | 1/16W | 5% | RMC1/16S 333JTH | J24189043 | | 1- | A | C4 |
| R 1361 | CHIP RES. | 10k | 1/16W | 5% | RMC1/16S 103JTH | J24189037 | | 1- | A | C4 |
| R 1362 | CHIP RES. | 47 | 1/16W | 5% | RMC1/16S 470JTH | J24189009 | | 1- | A | C4 |
| R 1363 | CHIP RES. | 470 | 1/16W | 5% | RMC1/16S 471JTH | J24189021 | | 1- | B | c4 |
| R 1364 | CHIP RES. | 33k | 1/16W | 5% | RMC1/16S 333JTH | J24189043 | | 1- | B | c4 |

MAIN-Unit

Parts List

| REF | DESCRIPTION | VALUE | V/W | TOL. | MFR'S DESIG | VXSTD P/N | VERS. | LOT | SIDE | LAY ADR |
|--------|-------------|-------|-------|------|-----------------|-----------|-------|-----|------|---------|
| R 1365 | CHIP RES. | 47 | 1/16W | 5% | RMC1/16S 470JTH | J24189009 | | 1- | B | c4 |
| R 1366 | CHIP RES. | 680 | 1/16W | 5% | RMC1/16S 681JTH | J24189023 | | 1- | B | c4 |
| R 1367 | CHIP RES. | 15k | 1/16W | 0.5% | RR0510R-153-D | J24189147 | | 1- | B | c4 |
| R 1368 | CHIP RES. | 22k | 1/16W | 0.5% | RR0510R-223-D | J24189151 | | 1- | B | c4 |
| R 1369 | CHIP RES. | 3.3k | 1/16W | 5% | RMC1/16S 332JTH | J24189031 | | 1- | B | c4 |
| R 1370 | CHIP RES. | 180 | 1/16W | 5% | RMC1/16S 181JTH | J24189016 | | 1- | B | c4 |
| R 1371 | CHIP RES. | 180k | 1/16W | 5% | RMC1/16S 184JTH | J24189052 | | 1- | B | c5 |
| R 1372 | CHIP RES. | 470 | 1/16W | 5% | RMC1/16S 471JTH | J24189021 | | 1- | B | c5 |
| R 1373 | CHIP RES. | 10k | 1/16W | 5% | RMC1/16S 103JTH | J24189037 | | 1- | A | C5 |
| R 1374 | CHIP RES. | 6.8k | 1/16W | 5% | RMC1/16S 682JTH | J24189035 | | 1- | B | c3 |
| R 1375 | CHIP RES. | 1k | 1/16W | 5% | RMC1/16S 102JTH | J24189025 | | 1- | B | b3 |
| R 1376 | CHIP RES. | 3.3k | 1/16W | 5% | RMC1/16S 332JTH | J24189031 | | 1- | B | c3 |
| R 1377 | CHIP RES. | 100k | 1/16W | 5% | RMC1/16S 104JTH | J24189049 | | 1- | B | b3 |
| R 1378 | CHIP RES. | 100 | 1/16W | 5% | RMC1/16S 101JTH | J24189013 | | 1- | B | c3 |
| R 1379 | CHIP RES. | 100 | 1/16W | 5% | RMC1/16S 101JTH | J24189013 | | 1- | B | c3 |
| R 1380 | CHIP RES. | 330k | 1/16W | 5% | RMC1/16S 334JTH | J24189055 | | 1- | B | b4 |
| R 1381 | CHIP RES. | 10k | 1/16W | 5% | RMC1/16S 103JTH | J24189037 | | 1- | B | b4 |
| R 1382 | CHIP RES. | 68k | 1/16W | 0.5% | RR0510R-683-D | J24189163 | | 1- | B | c4 |
| R 1383 | CHIP RES. | 10k | 1/16W | 5% | RMC1/16S 103JTH | J24189037 | | 1- | B | c4 |
| R 1384 | CHIP RES. | 100k | 1/16W | 5% | RMC1/16S 104JTH | J24189049 | | 1- | B | c4 |
| R 1385 | CHIP RES. | 100k | 1/16W | 0.5% | RR0510R-104-D | J24189167 | | 1- | B | c4 |
| R 1386 | CHIP RES. | 330k | 1/16W | 5% | RMC1/16S 334JTH | J24189055 | | 1- | B | c4 |
| R 1387 | CHIP RES. | 2.2M | 1/16W | 5% | RMC1/16S 225JTH | J24189065 | | 1- | B | c4 |
| R 1388 | CHIP RES. | 27k | 1/16W | 5% | RMC1/16S 273JTH | J24189042 | | 1- | B | b4 |
| R 1389 | CHIP RES. | 8.2k | 1/16W | 5% | RMC1/16S 822JTH | J24189036 | | 1- | B | b5 |
| R 1390 | CHIP RES. | 330k | 1/16W | 5% | RMC1/16S 334JTH | J24189055 | | 1- | B | b4 |
| R 1401 | CHIP RES. | 10k | 1/16W | 0.5% | RR0510P-103-D | J24189143 | | 1- | A | E4 |
| R 1402 | CHIP RES. | 10k | 1/16W | 0.5% | RR0510P-103-D | J24189143 | | 1- | A | D4 |
| R 1403 | CHIP RES. | 100 | 1/16W | 5% | RMC1/16S 101JTH | J24189013 | | 1- | A | E4 |
| R 1404 | CHIP RES. | 100k | 1/16W | 5% | RMC1/16S 104JTH | J24189049 | | 1- | A | E4 |
| R 1406 | CHIP RES. | 1M | 1/16W | 5% | RMC1/16S 105JTH | J24189061 | | 1- | A | D4 |
| R 1407 | CHIP RES. | 100k | 1/16W | 5% | RMC1/16S 104JTH | J24189049 | | 1- | A | D4 |
| R 1408 | CHIP RES. | 1k | 1/16W | 5% | RMC1/16S 102JTH | J24189025 | | 1- | A | D4 |
| R 1409 | CHIP RES. | 1k | 1/16W | 5% | RMC1/16S 102JTH | J24189025 | | 1- | A | D5 |
| R 1410 | CHIP RES. | 220k | 1/16W | 5% | RMC1/16S 224JTH | J24189053 | | 1- | A | D4 |
| R 1411 | CHIP RES. | 1M | 1/16W | 5% | RMC1/16S 105JTH | J24189061 | | 1- | A | D4 |
| R 1412 | CHIP RES. | 1k | 1/16W | 5% | RMC1/16S 102JTH | J24189025 | | 1- | A | D4 |
| R 1413 | CHIP RES. | 100 | 1/16W | 5% | RMC1/16S 101JTH | J24189013 | | 1- | A | D4 |
| R 1414 | CHIP RES. | 820k | 1/16W | 5% | RMC1/16S 824JTH | J24189060 | | 1- | A | D4 |
| R 1415 | CHIP RES. | 100 | 1/16W | 5% | RMC1/16S 101JTH | J24189013 | | 1- | A | D4 |
| R 1416 | CHIP RES. | 100k | 1/16W | 5% | RMC1/16S 104JTH | J24189049 | | 1- | A | D4 |
| R 1417 | CHIP RES. | 330 | 1/16W | 5% | RMC1/16S 331JTH | J24189019 | | 1- | A | D4 |
| R 1418 | CHIP RES. | 100 | 1/16W | 5% | RMC1/16S 101JTH | J24189013 | | 1- | A | D4 |
| R 1419 | CHIP RES. | 1k | 1/16W | 5% | RMC1/16S 102JTH | J24189025 | | 1- | A | E4 |
| R 1420 | CHIP RES. | 2.2k | 1/16W | 5% | RMC1/16S 222JTH | J24189029 | | 1- | A | D4 |
| R 1421 | CHIP RES. | 100 | 1/16W | 5% | RMC1/16S 101JTH | J24189013 | | 1- | A | D4 |
| R 1422 | CHIP RES. | 100 | 1/16W | 5% | RMC1/16S 101JTH | J24189013 | | 1- | A | D4 |
| R 1423 | CHIP RES. | 560 | 1/16W | 5% | RMC1/16S 561JTH | J24189022 | | 1- | A | D4 |
| R 1424 | CHIP RES. | 330k | 1/16W | 5% | RMC1/16S 334JTH | J24189055 | | 1- | A | D4 |
| R 1425 | CHIP RES. | 330 | 1/16W | 5% | RMC1/16S 331JTH | J24189019 | | 1- | A | D4 |
| R 1426 | CHIP RES. | 22 | 1/16W | 5% | RMC1/16S 220JTH | J24189005 | | 1- | A | D4 |
| R 1428 | CHIP RES. | 100 | 1/16W | 5% | RMC1/16S 101JTH | J24189013 | | 1- | A | D4 |
| R 1429 | CHIP RES. | 1k | 1/16W | 5% | RMC1/16S 102JTH | J24189025 | | 1- | A | D4 |
| R 1430 | CHIP RES. | 100 | 1/16W | 5% | RMC1/16S 101JTH | J24189013 | | 1- | A | E4 |
| R 1431 | CHIP RES. | 47 | 1/16W | 5% | RMC1/16S 470JTH | J24189009 | | 1- | B | a4 |
| R 1432 | CHIP RES. | 22k | 1/16W | 5% | RMC1/16S 223JTH | J24189041 | | 1- | B | a4 |
| R 1433 | CHIP RES. | 150k | 1/16W | 5% | RMC1/16S 154JTH | J24189051 | | 1- | B | a4 |
| R 1434 | CHIP RES. | 2.2k | 1/16W | 5% | RMC1/16S 222JTH | J24189029 | | 1- | B | a4 |
| R 1436 | CHIP RES. | 4.7k | 1/16W | 5% | RMC1/16S 472JTH | J24189033 | | 1- | B | a4 |
| R 1437 | CHIP RES. | 100k | 1/16W | 5% | RMC1/16S 104JTH | J24189049 | | 1- | A | C5 |
| R 1438 | CHIP RES. | 1k | 1/16W | 5% | RMC1/16S 102JTH | J24189025 | | 1- | A | E4 |
| R 1439 | CHIP RES. | 3.3k | 1/16W | 5% | RMC1/16S 332JTH | J24189031 | | 1- | A | E4 |
| R 1440 | CHIP RES. | 330 | 1/16W | 5% | RMC1/16S 331JTH | J24189019 | | 1- | B | a4 |
| R 1441 | CHIP RES. | 3.3k | 1/16W | 5% | RMC1/16S 332JTH | J24189031 | | 1- | A | E4 |
| R 1442 | CHIP RES. | 22k | 1/16W | 5% | RMC1/16S 223JTH | J24189041 | | 1- | A | E5 |
| R 1443 | CHIP RES. | 22k | 1/16W | 5% | RMC1/16S 223JTH | J24189041 | | 1- | A | D5 |
| R 1444 | CHIP RES. | 22k | 1/16W | 5% | RMC1/16S 223JTH | J24189041 | | 1- | A | E5 |
| R 1447 | CHIP RES. | 470 | 1/16W | 5% | RMC1/16S 471JTH | J24189021 | | 1- | A | E5 |
| R 1448 | CHIP RES. | 10k | 1/16W | 5% | RMC1/16S 103JTH | J24189037 | | 1- | A | E5 |
| R 1449 | CHIP RES. | 22k | 1/16W | 5% | RMC1/16S 223JTH | J24189041 | | 1- | A | E5 |

MAIN-Unit

Parts List

| REF | DESCRIPTION | VALUE | V/W | TOL. | MFR'S DESIG | VXSTD P/N | VERS. | LOT | SIDE | LAY ADR |
|--------|-------------|-------|-------|------|-----------------|-----------|-------|-----|------|---------|
| R 1450 | CHIP RES. | 100 | 1/16W | 5% | RMC1/16S 101JTH | J24189013 | | 1- | B | d5 |
| R 1451 | CHIP RES. | 1k | 1/16W | 5% | RMC1/16S 102JTH | J24189025 | | 1- | A | A5 |
| R 1452 | CHIP RES. | 1k | 1/16W | 5% | RMC1/16S 102JTH | J24189025 | | 1- | A | A5 |
| R 1456 | CHIP RES. | 100k | 1/16W | 5% | RMC1/16S 104JTH | J24189049 | | 1- | A | A4 |
| R 1457 | CHIP RES. | 100k | 1/16W | 5% | RMC1/16S 104JTH | J24189049 | | 1- | A | A4 |
| R 1458 | CHIP RES. | 22k | 1/16W | 5% | RMC1/16S 223JTH | J24189041 | | 1- | A | A5 |
| R 1459 | CHIP RES. | 220k | 1/16W | 5% | RMC1/16S 224JTH | J24189053 | | 1- | B | b5 |
| R 1460 | CHIP RES. | 470k | 1/16W | 5% | RMC1/16S 474JTH | J24189057 | | 1- | B | b5 |
| R 1461 | CHIP RES. | 47k | 1/16W | 5% | RMC1/16S 473JTH | J24189045 | | 1- | B | b5 |
| R 1462 | CHIP RES. | 3.3k | 1/16W | 5% | RMC1/16S 332JTH | J24189031 | | 1- | B | a4 |
| R 1463 | CHIP RES. | 100k | 1/16W | 5% | RMC1/16S 104JTH | J24189049 | | 1- | B | a4 |
| R 1464 | CHIP RES. | 3.3k | 1/16W | 5% | RMC1/16S 332JTH | J24189031 | | 1- | B | a4 |
| R 1465 | CHIP RES. | 680 | 1/16W | 5% | RMC1/16S 681JTH | J24189023 | | 1- | B | a4 |
| R 1468 | CHIP RES. | 100k | 1/16W | 5% | RMC1/16S 104JTH | J24189049 | | 1- | B | a4 |
| R 1469 | CHIP RES. | 10k | 1/16W | 5% | RMC1/16S 103JTH | J24189037 | | 1- | A | D5 |
| R 1470 | CHIP RES. | 330k | 1/16W | 5% | RMC1/16S 334JTH | J24189055 | | 1- | A | D5 |
| R 1471 | CHIP RES. | 470k | 1/16W | 5% | RMC1/16S 474JTH | J24189057 | | 1- | A | D5 |
| R 1472 | CHIP RES. | 330k | 1/16W | 5% | RMC1/16S 334JTH | J24189055 | | 1- | A | D5 |
| R 1473 | CHIP RES. | 68k | 1/16W | 0.5% | RR0510R-683-D | J24189163 | | 1- | A | D5 |
| R 1474 | CHIP RES. | 220k | 1/16W | 5% | RMC1/16S 224JTH | J24189053 | | 1- | A | C5 |
| R 1475 | CHIP RES. | 39k | 1/16W | 5% | RMC1/16S 393JTH | J24189044 | | 1- | A | C5 |
| R 1476 | CHIP RES. | 1k | 1/16W | 5% | RMC1/16S 102JTH | J24189025 | | 1- | A | A3 |
| R 1477 | CHIP RES. | 10k | 1/16W | 5% | RMC1/16S 103JTH | J24189037 | | 1- | A | C5 |
| R 1478 | CHIP RES. | 27k | 1/16W | 5% | RMC1/16S 273JTH | J24189042 | | 1- | A | B3 |
| R 1479 | CHIP RES. | 390k | 1/16W | 5% | RMC1/16S 394JTH | J24189056 | | 1- | A | B3 |
| R 1480 | CHIP RES. | 33k | 1/16W | 5% | RMC1/16S 333JTH | J24189043 | | 1- | A | B3 |
| R 1481 | CHIP RES. | 10k | 1/16W | 5% | RMC1/16S 103JTH | J24189037 | | 1- | A | A3 |
| R 1482 | CHIP RES. | 47k | 1/16W | 5% | RMC1/16S 473JTH | J24189045 | | 1- | A | B3 |
| R 1483 | CHIP RES. | 6.8k | 1/16W | 5% | RMC1/16S 682JTH | J24189035 | | 1- | B | a4 |
| R 1484 | CHIP RES. | 390k | 1/16W | 5% | RMC1/16S 394JTH | J24189056 | | 1- | A | C5 |
| R 1485 | CHIP RES. | 390k | 1/16W | 5% | RMC1/16S 394JTH | J24189056 | | 1- | A | C5 |
| R 1486 | CHIP RES. | 47k | 1/16W | 5% | RMC1/16S 473JTH | J24189045 | | 1- | A | C5 |
| R 1487 | CHIP RES. | 390k | 1/16W | 5% | RMC1/16S 394JTH | J24189056 | | 1- | A | C6 |
| R 1488 | CHIP RES. | 390k | 1/16W | 5% | RMC1/16S 394JTH | J24189056 | | 1- | A | C6 |
| R 1489 | CHIP RES. | 68k | 1/16W | 5% | RMC1/16S 683JTH | J24189047 | | 1- | B | c6 |
| R 1490 | CHIP RES. | 68k | 1/16W | 5% | RMC1/16S 683JTH | J24189047 | | 1- | A | C6 |
| R 1491 | CHIP RES. | 4.7k | 1/16W | 5% | RMC1/16S 472JTH | J24189033 | | 1- | B | a4 |
| R 1492 | CHIP RES. | 10k | 1/16W | 5% | RMC1/16S 103JTH | J24189037 | | 1- | B | c5 |
| R 1494 | CHIP RES. | 68k | 1/16W | 5% | RMC1/16S 683JTH | J24189047 | | 1- | A | C6 |
| R 1495 | CHIP RES. | 220 | 1/16W | 5% | RMC1/16S 221JTH | J24189017 | | 1- | A | E4 |
| R 1496 | CHIP RES. | 150k | 1/16W | 5% | RMC1/16S 154JTH | J24189051 | | 1- | B | a4 |
| R 1497 | CHIP RES. | 2.2k | 1/16W | 5% | RMC1/16S 222JTH | J24189029 | | 1- | A | D4 |
| R 1498 | CHIP RES. | 2.2k | 1/16W | 5% | RMC1/16S 222JTH | J24189029 | | 1- | A | D4 |
| R 1499 | CHIP RES. | 2.2k | 1/16W | 5% | RMC1/16S 222JTH | J24189029 | | 1- | A | D4 |
| R 1500 | CHIP RES. | 100 | 1/16W | 5% | RMC1/16S 101JTH | J24189013 | | 1- | A | D4 |
| R 1501 | CHIP RES. | 10k | 1/16W | 5% | RMC1/16S 103JTH | J24189037 | | 1- | B | d5 |
| R 1502 | CHIP RES. | 470k | 1/16W | 5% | RMC1/16S 474JTH | J24189057 | | 1- | B | d5 |
| R 1503 | CHIP RES. | 82k | 1/16W | 5% | RMC1/16S 823JTH | J24189048 | | 1- | B | d4 |
| R 1504 | CHIP RES. | 68k | 1/16W | 5% | RMC1/16S 683JTH | J24189047 | | 1- | B | d5 |
| R 1505 | CHIP RES. | 150k | 1/16W | 5% | RMC1/16S 154JTH | J24189051 | | 1- | B | d5 |
| R 1506 | CHIP RES. | 150k | 1/16W | 5% | RMC1/16S 154JTH | J24189051 | | 1- | B | d5 |
| R 1507 | CHIP RES. | 56k | 1/16W | 5% | RMC1/16S 563JTH | J24189046 | | 1- | B | d5 |
| R 1508 | CHIP RES. | 100k | 1/16W | 0.5% | RR0510R-104-D | J24189167 | | 1- | B | d4 |
| R 1509 | CHIP RES. | 56k | 1/16W | 0.5% | RR0510R-563-D | J24189161 | | 1- | B | d4 |
| R 1510 | CHIP RES. | 100k | 1/16W | 0.5% | RR0510R-104-D | J24189167 | | 1- | B | d4 |
| R 1511 | CHIP RES. | 10k | 1/16W | 5% | RMC1/16S 103JTH | J24189037 | | 1- | B | d4 |
| R 1512 | CHIP RES. | 220k | 1/16W | 5% | RMC1/16S 224JTH | J24189053 | | 1- | B | d4 |
| R 1513 | CHIP RES. | 270k | 1/16W | 5% | RMC1/16S 274JTH | J24189054 | | 1- | B | d4 |
| R 1514 | CHIP RES. | 220k | 1/16W | 5% | RMC1/16S 224JTH | J24189053 | | 1- | B | d4 |
| R 1515 | CHIP RES. | 220k | 1/16W | 5% | RMC1/16S 224JTH | J24189053 | | 1- | B | d4 |
| R 1516 | CHIP RES. | 22k | 1/16W | 5% | RMC1/16S 223JTH | J24189041 | | 1- | B | d4 |
| R 1517 | CHIP RES. | 3.9k | 1/16W | 0.5% | RR0510P-392-D | J24189133 | | 1- | B | d4 |
| R 1518 | CHIP RES. | 4.7k | 1/16W | 0.5% | RR0510P-472-D | J24189135 | | 1- | B | d4 |
| R 1519 | CHIP RES. | 1M | 1/16W | 5% | RMC1/16S 105JTH | J24189061 | | 1- | B | d4 |
| R 1520 | CHIP RES. | 10k | 1/16W | 5% | RMC1/16S 103JTH | J24189037 | | 1- | B | d4 |
| R 1521 | CHIP RES. | 470k | 1/16W | 5% | RMC1/16S 474JTH | J24189057 | | 1- | B | d4 |
| R 1522 | CHIP RES. | 470k | 1/16W | 5% | RMC1/16S 474JTH | J24189057 | | 1- | B | d4 |
| R 1523 | CHIP RES. | 100k | 1/16W | 5% | RMC1/16S 104JTH | J24189049 | | 1- | B | c5 |
| R 1524 | CHIP RES. | 330k | 1/16W | 5% | RMC1/16S 334JTH | J24189055 | | 1- | B | c6 |
| R 1525 | CHIP RES. | 10k | 1/16W | 5% | RMC1/16S 103JTH | J24189037 | | 1- | B | c5 |

MAIN-Unit

Parts List

| REF | DESCRIPTION | VALUE | V/W | TOL. | MFR'S DESIG | VXSTD P/N | VERS. | LOT | SIDE | LAY ADR |
|--------|-------------|-------|-------|------|-----------------|-----------|-------|-----|------|---------|
| R 1526 | CHIP RES. | 47k | 1/16W | 5% | RMC1/16S 473JTH | J24189045 | | 1- | B | c6 |
| R 1527 | CHIP RES. | 47k | 1/16W | 5% | RMC1/16S 473JTH | J24189045 | | 1- | B | c6 |
| R 1528 | CHIP RES. | 33k | 1/16W | 5% | RMC1/16S 333JTH | J24189043 | | 1- | B | c5 |
| R 1529 | CHIP RES. | 47k | 1/16W | 5% | RMC1/16S 473JTH | J24189045 | | 1- | B | c6 |
| R 1530 | CHIP RES. | 22k | 1/16W | 5% | RMC1/16S 223JTH | J24189041 | | 1- | B | c6 |
| R 1531 | CHIP RES. | 47k | 1/16W | 5% | RMC1/16S 473JTH | J24189045 | | 1- | B | c5 |
| R 1532 | CHIP RES. | 15k | 1/16W | 5% | RMC1/16S 153JTH | J24189039 | | 1- | B | c6 |
| R 1533 | CHIP RES. | 33k | 1/16W | 5% | RMC1/16S 333JTH | J24189043 | | 1- | B | c5 |
| R 1534 | CHIP RES. | 33k | 1/16W | 5% | RMC1/16S 333JTH | J24189043 | | 1- | B | c5 |
| R 1535 | CHIP RES. | 100k | 1/16W | 5% | RMC1/16S 104JTH | J24189049 | | 1- | B | c5 |
| R 1536 | CHIP RES. | 100k | 1/16W | 5% | RMC1/16S 104JTH | J24189049 | | 1- | B | c5 |
| R 1537 | CHIP RES. | 47k | 1/16W | 5% | RMC1/16S 473JTH | J24189045 | | 1- | B | c5 |
| R 1539 | CHIP RES. | 10k | 1/16W | 5% | RMC1/16S 103JTH | J24189037 | | 1- | B | c5 |
| R 1540 | CHIP RES. | 39k | 1/16W | 5% | RMC1/16S 393JTH | J24189044 | | 1- | B | d3 |
| R 1541 | CHIP RES. | 10k | 1/16W | 5% | RMC1/16S 103JTH | J24189037 | | 1- | B | d4 |
| R 1542 | CHIP RES. | 4.7k | 1/16W | 5% | RMC1/16S 472JTH | J24189033 | | 1- | B | d4 |
| R 1543 | CHIP RES. | 15k | 1/16W | 5% | RMC1/16S 153JTH | J24189039 | | 1- | B | d4 |
| R 1544 | CHIP RES. | 18k | 1/16W | 5% | RMC1/16S 183JTH | J24189040 | | 1- | B | d3 |
| R 1545 | CHIP RES. | 10k | 1/16W | 5% | RMC1/16S 103JTH | J24189037 | | 1- | B | d3 |
| R 1546 | CHIP RES. | 22k | 1/16W | 5% | RMC1/16S 223JTH | J24189041 | | 1- | B | d4 |
| R 1547 | CHIP RES. | 100 | 1/16W | 5% | RMC1/16S 101JTH | J24189013 | | 1- | A | B4 |
| R 1548 | CHIP RES. | 47k | 1/16W | 5% | RMC1/16S 473JTH | J24189045 | | 1- | A | B3 |
| R 1549 | CHIP RES. | 10k | 1/16W | 5% | RMC1/16S 103JTH | J24189037 | | 1- | A | B4 |
| R 1550 | CHIP RES. | 12k | 1/16W | 5% | RMC1/16S 123JTH | J24189038 | | 1- | A | B4 |
| R 1551 | CHIP RES. | 47k | 1/16W | 5% | RMC1/16S 473JTH | J24189045 | | 1- | A | B4 |
| R 1552 | CHIP RES. | 2.2M | 1/16W | 5% | RMC1/16S 225JTH | J24189065 | | 1- | A | B4 |
| R 1553 | CHIP RES. | 15k | 1/16W | 5% | RMC1/16S 153JTH | J24189039 | | 1- | A | B3 |
| R 1554 | CHIP RES. | 10k | 1/16W | 5% | RMC1/16S 103JTH | J24189037 | | 1- | A | B3 |
| R 1555 | CHIP RES. | 1k | 1/16W | 5% | RMC1/16S 102JTH | J24189025 | | 1- | A | B3 |
| R 1556 | CHIP RES. | 150k | 1/16W | 5% | RMC1/16S 154JTH | J24189051 | | 1- | A | B4 |
| R 1557 | CHIP RES. | 4.7k | 1/16W | 5% | RMC1/16S 472JTH | J24189033 | | 1- | A | B3 |
| R 1558 | CHIP RES. | 33k | 1/16W | 5% | RMC1/16S 333JTH | J24189043 | | 1- | A | B4 |
| R 1559 | CHIP RES. | 1M | 1/16W | 5% | RMC1/16S 105JTH | J24189061 | | 1- | A | A4 |
| R 1560 | CHIP RES. | 10k | 1/16W | 5% | RMC1/16S 103JTH | J24189037 | | 1- | A | A4 |
| R 1561 | CHIP RES. | 10k | 1/16W | 5% | RMC1/16S 103JTH | J24189037 | | 1- | A | A4 |
| R 1562 | CHIP RES. | 470k | 1/16W | 5% | RMC1/16S 474JTH | J24189057 | | 1- | A | B4 |
| R 1565 | CHIP RES. | 10k | 1/16W | 5% | RMC1/16S 103JTH | J24189037 | | 1- | B | e4 |
| R 1566 | CHIP RES. | 180k | 1/16W | 5% | RMC1/16S 184JTH | J24189052 | | 1- | A | B3 |
| R 1567 | CHIP RES. | 180k | 1/16W | 5% | RMC1/16S 184JTH | J24189052 | | 1- | A | B3 |
| R 1568 | CHIP RES. | 39k | 1/16W | 5% | RMC1/16S 393JTH | J24189044 | | 1- | A | A3 |
| R 1569 | CHIP RES. | 1k | 1/16W | 5% | RMC1/16S 102JTH | J24189025 | | 1- | A | A3 |
| R 1570 | CHIP RES. | 1k | 1/16W | 5% | RMC1/16S 102JTH | J24189025 | | 1- | A | A3 |
| R 1571 | CHIP RES. | 100k | 1/16W | 5% | RMC1/16S 104JTH | J24189049 | | 1- | A | B3 |
| R 1572 | CHIP RES. | 2.2k | 1/16W | 5% | RMC1/16S 222JTH | J24189029 | | 1- | A | B2 |
| R 1573 | CHIP RES. | 2.2k | 1/16W | 5% | RMC1/16S 222JTH | J24189029 | | 1- | A | B2 |
| R 1574 | CHIP RES. | 27k | 1/16W | 5% | RMC1/16S 273JTH | J24189042 | | 1- | A | A2 |
| R 1575 | CHIP RES. | 100k | 1/16W | 5% | RMC1/16S 104JTH | J24189049 | | 1- | B | d4 |
| R 1576 | CHIP RES. | 220k | 1/16W | 5% | RMC1/16S 224JTH | J24189053 | | 1- | B | d4 |
| R 1577 | CHIP RES. | 56k | 1/16W | 5% | RMC1/16S 563JTH | J24189046 | | 1- | A | B3 |
| R 1578 | CHIP RES. | 10k | 1/16W | 5% | RMC1/16S 103JTH | J24189037 | | 1- | A | B3 |
| R 1579 | CHIP RES. | 10k | 1/16W | 5% | RMC1/16S 103JTH | J24189037 | | 1- | A | B2 |
| R 1580 | CHIP RES. | 10k | 1/16W | 5% | RMC1/16S 103JTH | J24189037 | | 1- | A | A2 |
| R 1581 | CHIP RES. | 2.2k | 1/16W | 5% | RMC1/16S 222JTH | J24189029 | | 1- | A | A2 |
| R 1582 | CHIP RES. | 2.2k | 1/16W | 5% | RMC1/16S 222JTH | J24189029 | | 1- | A | A2 |
| R 1583 | CHIP RES. | 100k | 1/16W | 5% | RMC1/16S 104JTH | J24189049 | | 1- | A | A3 |
| R 1584 | CHIP RES. | 390k | 1/16W | 5% | RMC1/16S 394JTH | J24189056 | | 1- | A | B3 |
| R 1585 | CHIP RES. | 27k | 1/16W | 5% | RMC1/16S 273JTH | J24189042 | | 1- | A | A2 |
| R 1586 | CHIP RES. | 39k | 1/16W | 5% | RMC1/16S 393JTH | J24189044 | | 1- | A | B3 |
| R 1587 | CHIP RES. | 1k | 1/16W | 5% | RMC1/16S 102JTH | J24189025 | | 1- | B | d4 |
| R 1589 | CHIP RES. | 4.7k | 1/16W | 5% | RMC1/16S 472JTH | J24189033 | | 1- | A | B3 |
| R 1590 | CHIP RES. | 1M | 1/16W | 5% | RMC1/16S 105JTH | J24189061 | | 1- | B | c6 |
| R 1591 | CHIP RES. | 10k | 1/16W | 5% | RMC1/16S 103JTH | J24189037 | | 1- | A | A3 |
| R 1592 | CHIP RES. | 10k | 1/16W | 5% | RMC1/16S 103JTH | J24189037 | | 1- | A | A3 |
| R 1593 | CHIP RES. | 1k | 1/16W | 5% | RMC1/16S 102JTH | J24189025 | | 1- | B | d4 |
| R 1601 | CHIP RES. | 56 | 1/16W | 5% | RMC1/16S 560JTH | J24189010 | | 1- | A | A1 |
| R 1602 | CHIP RES. | 56 | 1/16W | 5% | RMC1/16S 560JTH | J24189010 | | 1- | A | A1 |
| R 1603 | CHIP RES. | 56 | 1/16W | 5% | RMC1/16S 560JTH | J24189010 | | 1- | A | A1 |
| R 1604 | CHIP RES. | 56 | 1/16W | 5% | RMC1/16S 560JTH | J24189010 | | 1- | A | A1 |
| R 1605 | CHIP RES. | 56 | 1/16W | 5% | RMC1/16S 560JTH | J24189010 | | 1- | A | A1 |
| R 1606 | CHIP RES. | 56 | 1/16W | 5% | RMC1/16S 560JTH | J24189010 | | 1- | A | A1 |

MAIN-Unit

Parts List

| REF | DESCRIPTION | VALUE | V/W | TOL. | MFR'S DESIG | VXSTD P/N | VERS. | LOT | SIDE | LAY ADR |
|--------|-------------|-------|-------|------|-----------------|-----------|-------|-----|------|---------|
| R 1607 | CHIP RES. | 56 | 1/16W | 5% | RMC1/16S 560JTH | J24189010 | | 1- | A | A1 |
| R 1608 | CHIP RES. | 56 | 1/16W | 5% | RMC1/16S 560JTH | J24189010 | | 1- | A | A1 |
| R 1609 | CHIP RES. | 56 | 1/16W | 5% | RMC1/16S 560JTH | J24189010 | | 1- | A | A1 |
| R 1610 | CHIP RES. | 56 | 1/16W | 5% | RMC1/16S 560JTH | J24189010 | | 1- | A | A1 |
| R 1613 | CHIP RES. | 22k | 1/16W | 5% | RMC1/16S 223JTH | J24189041 | | 1- | B | e2 |
| R 1614 | CHIP RES. | 100k | 1/16W | 5% | RMC1/16S 104JTH | J24189049 | | 1- | B | e2 |
| R 1615 | CHIP RES. | 470k | 1/16W | 5% | RMC1/16S 474JTH | J24189057 | | 1- | B | e3 |
| R 1616 | CHIP RES. | 22k | 1/16W | 5% | RMC1/16S 223JTH | J24189041 | | 1- | B | e2 |
| R 1617 | CHIP RES. | 100k | 1/16W | 5% | RMC1/16S 104JTH | J24189049 | | 1- | B | e2 |
| R 1618 | CHIP RES. | 470k | 1/16W | 5% | RMC1/16S 474JTH | J24189057 | | 1- | B | e3 |
| R 1619 | CHIP RES. | 10k | 1/16W | 5% | RMC1/16S 103JTH | J24189037 | | 1- | B | e3 |
| R 1620 | CHIP RES. | 10k | 1/16W | 5% | RMC1/16S 103JTH | J24189037 | | 1- | B | e4 |
| R 1621 | CHIP RES. | 100k | 1/16W | 5% | RMC1/16S 104JTH | J24189049 | | 1- | B | e3 |
| R 1622 | CHIP RES. | 100k | 1/16W | 5% | RMC1/16S 104JTH | J24189049 | | 1- | B | e2 |
| R 1623 | CHIP RES. | 220k | 1/16W | 5% | RMC1/16S 224JTH | J24189053 | | 1- | B | e5 |
| R 1624 | CHIP RES. | 220k | 1/16W | 5% | RMC1/16S 224JTH | J24189053 | | 1- | B | e4 |
| R 1625 | CHIP RES. | 22k | 1/16W | 5% | RMC1/16S 223JTH | J24189041 | | 1- | B | e5 |
| R 1626 | CHIP RES. | 22k | 1/16W | 5% | RMC1/16S 223JTH | J24189041 | | 1- | B | e5 |
| R 1627 | CHIP RES. | 10k | 1/16W | 5% | RMC1/16S 103JTH | J24189037 | | 1- | B | e5 |
| R 1628 | CHIP RES. | 10k | 1/16W | 5% | RMC1/16S 103JTH | J24189037 | | 1- | B | e5 |
| R 1629 | CHIP RES. | 22k | 1/16W | 5% | RMC1/16S 223JTH | J24189041 | | 1- | B | e5 |
| R 1630 | CHIP RES. | 22k | 1/16W | 5% | RMC1/16S 223JTH | J24189041 | | 1- | B | e5 |
| R 1631 | CHIP RES. | 22k | 1/16W | 5% | RMC1/16S 223JTH | J24189041 | | 1- | B | e5 |
| R 1632 | CHIP RES. | 22k | 1/16W | 5% | RMC1/16S 223JTH | J24189041 | | 1- | B | e5 |
| R 1633 | CHIP RES. | 82 | 1/16W | 5% | RMC1/16S 820JTH | J24189012 | | 1- | B | e4 |
| R 1634 | CHIP RES. | 82 | 1/16W | 5% | RMC1/16S 820JTH | J24189012 | | 1- | B | e4 |
| R 1635 | CHIP RES. | 82 | 1/16W | 5% | RMC1/16S 820JTH | J24189012 | | 1- | B | e4 |
| R 1636 | CHIP RES. | 82 | 1/16W | 5% | RMC1/16S 820JTH | J24189012 | | 1- | B | e4 |
| R 1637 | CHIP RES. | 82 | 1/16W | 5% | RMC1/16S 820JTH | J24189012 | | 1- | B | e4 |
| R 1638 | CHIP RES. | 82 | 1/16W | 5% | RMC1/16S 820JTH | J24189012 | | 1- | B | e4 |
| R 1639 | CHIP RES. | 82 | 1/16W | 5% | RMC1/16S 820JTH | J24189012 | | 1- | B | e4 |
| R 1640 | CHIP RES. | 82 | 1/16W | 5% | RMC1/16S 820JTH | J24189012 | | 1- | B | e4 |
| R 1641 | CHIP RES. | 4.7 | 1/16W | 5% | RMC1/16S 4R7JTH | J24189066 | | 1- | B | e4 |
| R 1642 | CHIP RES. | 4.7 | 1/16W | 5% | RMC1/16S 4R7JTH | J24189066 | | 1- | B | e4 |
| R 1643 | CHIP RES. | 220k | 1/16W | 5% | RMC1/16S 224JTH | J24189053 | | 1- | B | e4 |
| R 1644 | CHIP RES. | 220k | 1/16W | 5% | RMC1/16S 224JTH | J24189053 | | 1- | B | e4 |
| R 1645 | CHIP RES. | 22k | 1/16W | 5% | RMC1/16S 223JTH | J24189041 | | 1- | B | e5 |
| R 1646 | CHIP RES. | 22k | 1/16W | 5% | RMC1/16S 223JTH | J24189041 | | 1- | B | e5 |
| R 1647 | CHIP RES. | 10k | 1/16W | 5% | RMC1/16S 103JTH | J24189037 | | 1- | B | e4 |
| R 1648 | CHIP RES. | 10k | 1/16W | 5% | RMC1/16S 103JTH | J24189037 | | 1- | B | e4 |
| R 1649 | CHIP RES. | 22k | 1/16W | 5% | RMC1/16S 223JTH | J24189041 | | 1- | B | d4 |
| R 1650 | CHIP RES. | 22k | 1/16W | 5% | RMC1/16S 223JTH | J24189041 | | 1- | B | d4 |
| R 1651 | CHIP RES. | 22k | 1/16W | 5% | RMC1/16S 223JTH | J24189041 | | 1- | B | d5 |
| R 1652 | CHIP RES. | 22k | 1/16W | 5% | RMC1/16S 223JTH | J24189041 | | 1- | B | d5 |
| R 1653 | CHIP RES. | 82 | 1/16W | 5% | RMC1/16S 820JTH | J24189012 | | 1- | B | e4 |
| R 1654 | CHIP RES. | 82 | 1/16W | 5% | RMC1/16S 820JTH | J24189012 | | 1- | B | e4 |
| R 1655 | CHIP RES. | 82 | 1/16W | 5% | RMC1/16S 820JTH | J24189012 | | 1- | B | e4 |
| R 1656 | CHIP RES. | 82 | 1/16W | 5% | RMC1/16S 820JTH | J24189012 | | 1- | B | e4 |
| R 1657 | CHIP RES. | 82 | 1/16W | 5% | RMC1/16S 820JTH | J24189012 | | 1- | B | e4 |
| R 1658 | CHIP RES. | 82 | 1/16W | 5% | RMC1/16S 820JTH | J24189012 | | 1- | B | e4 |
| R 1659 | CHIP RES. | 82 | 1/16W | 5% | RMC1/16S 820JTH | J24189012 | | 1- | B | e4 |
| R 1660 | CHIP RES. | 82 | 1/16W | 5% | RMC1/16S 820JTH | J24189012 | | 1- | B | e4 |
| R 1661 | CHIP RES. | 15k | 1/16W | 5% | RMC1/16S 153JTH | J24189039 | | 1- | A | B4 |
| R 1662 | CHIP RES. | 470 | 1/16W | 5% | RMC1/16S 471JTH | J24189021 | | 1- | A | C5 |
| R 1664 | CHIP RES. | 4.7 | 1/16W | 5% | RMC1/16S 4R7JTH | J24189066 | | 1- | B | e4 |
| R 1665 | CHIP RES. | 4.7 | 1/16W | 5% | RMC1/16S 4R7JTH | J24189066 | | 1- | B | d4 |
| R 1666 | CHIP RES. | 100k | 1/16W | 0.5% | RR0510R-104-D | J24189167 | | 1- | A | A4 |
| R 1667 | CHIP RES. | 100k | 1/16W | 0.5% | RR0510R-104-D | J24189167 | | 1- | A | A4 |
| R 1668 | CHIP RES. | 100k | 1/16W | 5% | RMC1/16S 104JTH | J24189049 | | 1- | B | e2 |
| R 1669 | CHIP RES. | 1M | 1/16W | 5% | RMC1/16S 105JTH | J24189061 | | 1- | B | e3 |
| R 1670 | CHIP RES. | 150k | 1/16W | 5% | RMC1/16S 154JTH | J24189051 | | 1- | B | d4 |
| R 1673 | CHIP RES. | 2.2k | 1/16W | 5% | RMC1/16S 222JTH | J24189029 | | 1- | B | e2 |
| R 1674 | CHIP RES. | 2.2k | 1/16W | 5% | RMC1/16S 222JTH | J24189029 | | 5- | B | e2 |
| R 1701 | CHIP RES. | 8.2k | 1/16W | 5% | RMC1/16S 822JTH | J24189036 | | 1- | B | d4 |
| R 1702 | CHIP RES. | 15k | 1/16W | 5% | RMC1/16S 153JTH | J24189039 | | 1- | B | c4 |
| R 1703 | CHIP RES. | 100k | 1/16W | 5% | RMC1/16S 104JTH | J24189049 | | 1- | B | d1 |
| R 1704 | CHIP RES. | 220 | 1/16W | 5% | RMC1/16S 221JTH | J24189017 | | 1- | B | d1 |
| R 1705 | CHIP RES. | 220 | 1/16W | 5% | RMC1/16S 221JTH | J24189017 | | 1- | B | d1 |
| R 1706 | CHIP RES. | 220 | 1/16W | 5% | RMC1/16S 221JTH | J24189017 | | 1- | B | d1 |
| R 1707 | CHIP RES. | 220 | 1/16W | 5% | RMC1/16S 221JTH | J24189017 | | 1- | B | d1 |

MAIN-Unit

Parts List

| REF | DESCRIPTION | VALUE | V/W | TOL. | MFR'S DESIG | VXSTD P/N | VERS. | LOT | SIDE | LAY ADR |
|--------|-------------|-------|-------|------|-----------------|-----------|----------------|-----|------|---------|
| R 1708 | CHIP RES. | 47k | 1/16W | 5% | RMC1/16S 473JTH | J24189045 | | 1- | A | A5 |
| R 1709 | CHIP RES. | 100k | 1/16W | 5% | RMC1/16S 104JTH | J24189049 | | 1- | A | B5 |
| R 1710 | CHIP RES. | 68k | 1/16W | 5% | RMC1/16S 683JTH | J24189047 | | 1- | A | B5 |
| R 1711 | CHIP RES. | 470k | 1/16W | 5% | RMC1/16S 474JTH | J24189057 | | 1- | B | d5 |
| R 1712 | CHIP RES. | 22k | 1/16W | 5% | RMC1/16S 223JTH | J24189041 | | 1- | B | d5 |
| R 1713 | CHIP RES. | 47k | 1/16W | 5% | RMC1/16S 473JTH | J24189045 | | 1- | A | B6 |
| R 1714 | CHIP RES. | 47k | 1/16W | 5% | RMC1/16S 473JTH | J24189045 | | 1- | A | A5 |
| R 1715 | CHIP RES. | 120k | 1/16W | 5% | RMC1/16S 124JTH | J24189050 | | 1- | A | A5 |
| R 1716 | CHIP RES. | 1k | 1/16W | 5% | RMC1/16S 102JTH | J24189025 | | 1- | A | A5 |
| R 1717 | CHIP RES. | 1M | 1/16W | 5% | RMC1/16S 105JTH | J24189061 | | 1- | B | d5 |
| R 1718 | CHIP RES. | 47k | 1/16W | 5% | RMC1/16S 473JTH | J24189045 | | 1- | B | d5 |
| R 1719 | CHIP RES. | 470 | 1/16W | 5% | RMC1/16S 471JTH | J24189021 | | 1- | B | d5 |
| R 1720 | CHIP RES. | 100k | 1/16W | 5% | RMC1/16S 104JTH | J24189049 | | 1- | A | B5 |
| R 1721 | CHIP RES. | 47k | 1/16W | 5% | RMC1/16S 473JTH | J24189045 | | 1- | B | d5 |
| R 1722 | CHIP RES. | 100k | 1/16W | 0.5% | RR0510R-104-D | J24189167 | | 1- | B | d5 |
| R 1723 | CHIP RES. | 100k | 1/16W | 0.5% | RR0510R-104-D | J24189167 | | 1- | B | d5 |
| R 1724 | CHIP RES. | 100k | 1/16W | 0.5% | RR0510R-104-D | J24189167 | | 1- | B | d5 |
| R 1725 | CHIP RES. | 100k | 1/16W | 0.5% | RR0510R-104-D | J24189167 | | 1- | B | d5 |
| R 1726 | CHIP RES. | 5.6k | 1/16W | 5% | RMC1/16S 562JTH | J24189034 | | 1- | B | e5 |
| R 1728 | CHIP RES. | 18k | 1/16W | 5% | RMC1/16S 183JTH | J24189040 | | 1- | B | d5 |
| R 1729 | CHIP RES. | 10k | 1/16W | 5% | RMC1/16S 103JTH | J24189037 | | 1- | B | d5 |
| R 1730 | CHIP RES. | 220k | 1/16W | 5% | RMC1/16S 224JTH | J24189053 | | 1- | B | d5 |
| R 1731 | CHIP RES. | 22k | 1/16W | 5% | RMC1/16S 223JTH | J24189041 | | 1- | B | d5 |
| R 1732 | CHIP RES. | 470k | 1/16W | 5% | RMC1/16S 474JTH | J24189057 | | 1- | B | d5 |
| R 1733 | CHIP RES. | 470k | 1/16W | 5% | RMC1/16S 474JTH | J24189057 | | 1- | B | d5 |
| R 1734 | CHIP RES. | 470k | 1/16W | 5% | RMC1/16S 474JTH | J24189057 | | 1- | A | A5 |
| R 1735 | CHIP RES. | 22k | 1/16W | 5% | RMC1/16S 223JTH | J24189041 | | 1- | A | A5 |
| R 1736 | CHIP RES. | 1k | 1/16W | 5% | RMC1/16S 102JTH | J24189025 | | 1- | A | B5 |
| R 1737 | CHIP RES. | 47k | 1/16W | 5% | RMC1/16S 473JTH | J24189045 | | 1- | A | A5 |
| R 1739 | CHIP RES. | 4.7k | 1/16W | 0.5% | RR0510P-472-D | J24189135 | | 1- | B | e5 |
| R 1801 | CHIP RES. | 100k | 1/16W | 5% | RMC1/16S 104JTH | J24189049 | | 1- | B | d4 |
| R 1802 | CHIP RES. | 2.2k | 1/16W | 5% | RMC1/16S 222JTH | J24189029 | | 1- | A | B4 |
| R 1803 | CHIP RES. | 100k | 1/16W | 5% | RMC1/16S 104JTH | J24189049 | | 1- | B | d4 |
| R 1804 | CHIP RES. | 2.2k | 1/16W | 5% | RMC1/16S 222JTH | J24189029 | | 1- | A | B4 |
| R 1805 | CHIP RES. | 0 | 1/16W | 5% | RMC1/16S JPTH | J24189070 | VER.A2 DST:USA | 1- | A | C5 |
| R 1805 | CHIP RES. | 0 | 1/16W | 5% | RMC1/16S JPTH | J24189070 | VERSION A1 | 1- | A | C5 |
| R 1805 | CHIP RES. | 0 | 1/16W | 5% | RMC1/16S JPTH | J24189070 | VERSION A2 | 1- | A | C5 |
| R 1805 | CHIP RES. | 0 | 1/16W | 5% | RMC1/16S JPTH | J24189070 | VERSION A3 | 1- | A | C5 |
| R 1805 | CHIP RES. | 0 | 1/16W | 5% | RMC1/16S JPTH | J24189070 | VERSION C1 | 1- | A | C5 |
| R 1805 | CHIP RES. | 0 | 1/16W | 5% | RMC1/16S JPTH | J24189070 | VERSION C2 | 1- | A | C5 |
| R 1805 | CHIP RES. | 0 | 1/16W | 5% | RMC1/16S JPTH | J24189070 | VERSION C3 | 1- | A | C5 |
| R 1805 | CHIP RES. | 0 | 1/16W | 5% | RMC1/16S JPTH | J24189070 | VERSION D1 | 1- | A | C5 |
| R 1805 | CHIP RES. | 0 | 1/16W | 5% | RMC1/16S JPTH | J24189070 | VERSION H1 | 1- | A | C5 |
| R 1805 | CHIP RES. | 0 | 1/16W | 5% | RMC1/16S JPTH | J24189070 | VERSION H2 | 1- | A | C5 |
| R 1806 | CHIP RES. | 0 | 1/16W | 5% | RMC1/16S JPTH | J24189070 | VER.A2 DST:USA | 1- | A | C5 |
| R 1806 | CHIP RES. | 0 | 1/16W | 5% | RMC1/16S JPTH | J24189070 | VERSION A1 | 1- | A | C5 |
| R 1806 | CHIP RES. | 0 | 1/16W | 5% | RMC1/16S JPTH | J24189070 | VERSION A2 | 1- | A | C5 |
| R 1806 | CHIP RES. | 0 | 1/16W | 5% | RMC1/16S JPTH | J24189070 | VERSION A3 | 1- | A | C5 |
| R 1806 | CHIP RES. | 0 | 1/16W | 5% | RMC1/16S JPTH | J24189070 | VERSION B1 | 1- | A | C5 |
| R 1806 | CHIP RES. | 0 | 1/16W | 5% | RMC1/16S JPTH | J24189070 | VERSION B2 | 1- | A | C5 |
| R 1806 | CHIP RES. | 0 | 1/16W | 5% | RMC1/16S JPTH | J24189070 | VERSION B3 | 1- | A | C5 |
| R 1806 | CHIP RES. | 0 | 1/16W | 5% | RMC1/16S JPTH | J24189070 | VERSION H1 | 1- | A | C5 |
| R 1806 | CHIP RES. | 0 | 1/16W | 5% | RMC1/16S JPTH | J24189070 | VERSION H2 | 1- | A | C5 |
| R 1807 | CHIP RES. | 0 | 1/16W | 5% | RMC1/16S JPTH | J24189070 | VERSION A1 | 1- | A | C5 |
| R 1807 | CHIP RES. | 0 | 1/16W | 5% | RMC1/16S JPTH | J24189070 | VERSION A2 | 1- | A | C5 |
| R 1807 | CHIP RES. | 0 | 1/16W | 5% | RMC1/16S JPTH | J24189070 | VERSION B1 | 1- | A | C5 |
| R 1807 | CHIP RES. | 0 | 1/16W | 5% | RMC1/16S JPTH | J24189070 | VERSION B2 | 1- | A | C5 |
| R 1807 | CHIP RES. | 0 | 1/16W | 5% | RMC1/16S JPTH | J24189070 | VERSION C1 | 1- | A | C5 |
| R 1807 | CHIP RES. | 0 | 1/16W | 5% | RMC1/16S JPTH | J24189070 | VERSION C2 | 1- | A | C5 |
| R 1807 | CHIP RES. | 0 | 1/16W | 5% | RMC1/16S JPTH | J24189070 | VERSION H1 | 1- | A | C5 |
| R 1807 | CHIP RES. | 0 | 1/16W | 5% | RMC1/16S JPTH | J24189070 | VERSION H2 | 1- | A | C5 |
| R 1808 | CHIP RES. | 0 | 1/16W | 5% | RMC1/16S JPTH | J24189070 | VER.A2 DST:USA | 1- | A | C5 |
| R 1808 | CHIP RES. | 0 | 1/16W | 5% | RMC1/16S JPTH | J24189070 | VERSION A1 | 1- | A | C5 |
| R 1808 | CHIP RES. | 0 | 1/16W | 5% | RMC1/16S JPTH | J24189070 | VERSION B1 | 1- | A | C5 |
| R 1808 | CHIP RES. | 0 | 1/16W | 5% | RMC1/16S JPTH | J24189070 | VERSION C1 | 1- | A | C5 |
| R 1808 | CHIP RES. | 0 | 1/16W | 5% | RMC1/16S JPTH | J24189070 | VERSION D1 | 1- | A | C5 |
| R 1808 | CHIP RES. | 0 | 1/16W | 5% | RMC1/16S JPTH | J24189070 | VERSION D2 | 1- | A | C5 |
| R 1808 | CHIP RES. | 0 | 1/16W | 5% | RMC1/16S JPTH | J24189070 | VERSION H1 | 1- | A | C5 |
| R 1809 | CHIP RES. | 12k | 1/16W | 5% | RMC1/16S 123JTH | J24189038 | | 1- | A | B4 |
| R 1810 | CHIP RES. | 10k | 1/16W | 5% | RMC1/16S 103JTH | J24189037 | | 1- | A | B4 |

MAIN-Unit

Parts List

| REF | DESCRIPTION | VALUE | V/W | TOL. | MFR'S DESIG | VXSTD P/N | VERS. | LOT | SIDE | LAY ADR |
|--------|-------------|-------|-------|------|------------------|-----------|-------|-----|------|---------|
| R 1811 | CHIP RES. | 1k | 1/16W | 5% | RMC1/16S 102JTH | J24189025 | | 1- | A | B5 |
| R 1812 | CHIP RES. | 1k | 1/16W | 5% | RMC1/16S 102JTH | J24189025 | | 1- | A | B5 |
| R 1813 | CHIP RES. | 1k | 1/16W | 5% | RMC1/16S 102JTH | J24189025 | | 1- | A | C5 |
| R 1814 | CHIP RES. | 1k | 1/16W | 5% | RMC1/16S 102JTH | J24189025 | | 1- | B | d5 |
| R 1815 | CHIP RES. | 1k | 1/16W | 5% | RMC1/16S 102JTH | J24189025 | | 1- | A | B5 |
| R 1816 | CHIP RES. | 1k | 1/16W | 5% | RMC1/16S 102JTH | J24189025 | | 1- | A | B5 |
| R 1817 | CHIP RES. | 470k | 1/16W | 5% | RMC1/16S 474JTH | J24189057 | | 1- | A | B5 |
| R 1818 | CHIP RES. | 1k | 1/16W | 5% | RMC1/16S 102JTH | J24189025 | | 1- | A | B5 |
| R 1819 | CHIP RES. | 330 | 1/16W | 5% | RMC1/16S 331JTH | J24189019 | | 1- | A | B5 |
| R 1820 | CHIP RES. | 1k | 1/16W | 5% | RMC1/16S 102JTH | J24189025 | | 1- | A | B5 |
| R 1821 | CHIP RES. | 1k | 1/16W | 5% | RMC1/16S 102JTH | J24189025 | | 1- | A | B5 |
| R 1822 | CHIP RES. | 10k | 1/16W | 5% | RMC1/16S 103JTH | J24189037 | | 1- | A | B6 |
| R 1824 | CHIP RES. | 100 | 1/16W | 5% | RMC1/16S 101JTH | J24189013 | | 1- | A | B5 |
| R 1825 | CHIP RES. | 1k | 1/16W | 5% | RMC1/16S 102JTH | J24189025 | | 1- | A | B5 |
| R 1826 | CHIP RES. | 1k | 1/16W | 5% | RMC1/16S 102JTH | J24189025 | | 1- | A | B5 |
| R 1827 | CHIP RES. | 1k | 1/16W | 5% | RMC1/16S 102JTH | J24189025 | | 1- | A | B5 |
| R 1828 | CHIP RES. | 1k | 1/16W | 5% | RMC1/16S 102JTH | J24189025 | | 1- | A | B5 |
| R 1829 | CHIP RES. | 1k | 1/16W | 5% | RMC1/16S 102JTH | J24189025 | | 1- | A | B5 |
| R 1830 | CHIP RES. | 100k | 1/16W | 5% | RMC1/16S 104JTH | J24189049 | | 1- | A | B5 |
| R 1831 | CHIP RES. | 4.7k | 1/16W | 5% | RMC1/16S 472JTH | J24189033 | | 1- | A | B5 |
| R 1832 | CHIP RES. | 1k | 1/16W | 5% | RMC1/16S 102JTH | J24189025 | | 1- | A | B5 |
| R 1833 | CHIP RES. | 1k | 1/16W | 5% | RMC1/16S 102JTH | J24189025 | | 1- | A | B5 |
| R 1835 | CHIP RES. | 470k | 1/16W | 5% | RMC1/16S 474JTH | J24189057 | | 1- | A | A5 |
| R 1836 | CHIP RES. | 22k | 1/16W | 5% | RMC1/16S 223JTH | J24189041 | | 1- | B | e5 |
| R 1837 | CHIP RES. | 1k | 1/16W | 5% | RMC1/16S 102JTH | J24189025 | | 1- | A | B5 |
| R 1838 | CHIP RES. | 1k | 1/16W | 5% | RMC1/16S 102JTH | J24189025 | | 1- | A | B5 |
| R 1840 | CHIP RES. | 4.7k | 1/16W | 5% | RMC1/16S 472JTH | J24189033 | | 1- | A | A5 |
| R 1841 | CHIP RES. | 4.7k | 1/16W | 5% | RMC1/16S 472JTH | J24189033 | | 1- | A | A5 |
| R 1843 | CHIP RES. | 1k | 1/16W | 5% | RMC1/16S 102JTH | J24189025 | | 1- | B | d5 |
| R 1844 | CHIP RES. | 1k | 1/16W | 5% | RMC1/16S 102JTH | J24189025 | | 1- | A | B5 |
| R 1845 | CHIP RES. | 1k | 1/16W | 5% | RMC1/16S 102JTH | J24189025 | | 1- | B | d5 |
| R 1846 | CHIP RES. | 100k | 1/16W | 5% | RMC1/16S 104JTH | J24189049 | | 1- | A | A5 |
| R 1847 | CHIP RES. | 1k | 1/16W | 5% | RMC1/16S 102JTH | J24189025 | | 1- | B | d5 |
| R 1848 | CHIP RES. | 100k | 1/16W | 5% | RMC1/16S 104JTH | J24189049 | | 1- | B | d5 |
| R 1849 | CHIP RES. | 1k | 1/16W | 5% | RMC1/16S 102JTH | J24189025 | | 1- | A | A5 |
| R 1850 | CHIP RES. | 1k | 1/16W | 5% | RMC1/16S 102JTH | J24189025 | | 1- | A | A4 |
| R 1851 | CHIP RES. | 1k | 1/16W | 5% | RMC1/16S 102JTH | J24189025 | | 1- | B | d4 |
| R 1852 | CHIP RES. | 2.2k | 1/16W | 0.5% | RR0510P-222-D | J24189127 | | 1- | B | d3 |
| R 1853 | CHIP RES. | 1k | 1/16W | 5% | RMC1/16S 102JTH | J24189025 | | 1- | A | A4 |
| R 1854 | CHIP RES. | 1k | 1/16W | 5% | RMC1/16S 102JTH | J24189025 | | 1- | A | B4 |
| R 1855 | CHIP RES. | 1.5M | 1/16W | 5% | RMC1/16S 155JTH | J24189063 | | 1- | A | B4 |
| R 1856 | CHIP RES. | 820k | 1/16W | 5% | RMC1/16S 824JTH | J24189060 | | 1- | A | B4 |
| R 1857 | CHIP RES. | 390k | 1/16W | 5% | RMC1/16S 394JTH | J24189056 | | 1- | A | B4 |
| R 1858 | CHIP RES. | 100k | 1/16W | 0.5% | RR0510R-104-D | J24189167 | | 1- | A | B4 |
| R 1859 | CHIP RES. | 100k | 1/16W | 0.5% | RR0510R-104-D | J24189167 | | 1- | A | B4 |
| R 1860 | CHIP RES. | 100k | 1/16W | 0.5% | RR0510R-104-D | J24189167 | | 1- | A | B4 |
| R 1861 | CHIP RES. | 100k | 1/16W | 0.5% | RR0510R-104-D | J24189167 | | 1- | A | B4 |
| R 1862 | CHIP RES. | 100k | 1/16W | 0.5% | RR0510R-104-D | J24189167 | | 1- | A | B4 |
| R 1863 | CHIP RES. | 1k | 1/16W | 5% | RMC1/16S 102JTH | J24189025 | | 1- | A | B4 |
| R 1864 | CHIP RES. | 1k | 1/16W | 5% | RMC1/16S 102JTH | J24189025 | | 1- | A | B4 |
| R 1865 | CHIP RES. | 100k | 1/16W | 5% | RMC1/16S 104JTH | J24189049 | | 1- | A | B5 |
| R 1866 | CHIP RES. | 3.3M | 1/16W | 5% | RMC1/16S 335JTH | J24189324 | | 1- | A | B5 |
| R 1867 | CHIP RES. | 3.3M | 1/16W | 5% | RMC1/16S 335JTH | J24189324 | | 1- | A | A5 |
| R 1868 | CHIP RES. | 4.7k | 1/16W | 5% | RMC1/16S 472JTH | J24189033 | | 1- | A | D5 |
| R 1869 | CHIP RES. | 68k | 1/16W | 5% | RMC1/16S 683JTH | J24189047 | | 1- | B | d5 |
| R 1870 | CHIP RES. | 15k | 1/16W | 0.5% | RR0510R-153-D | J24189147 | | 1- | B | e5 |
| R 1871 | CHIP RES. | 4.7k | 1/16W | 0.5% | RR0510P-472-D | J24189135 | | 1- | B | e5 |
| R 1872 | CHIP RES. | 100k | 1/16W | 5% | RMC1/16S 104JTH | J24189049 | | 1- | B | e5 |
| R 1873 | CHIP RES. | 3.3k | 1/16W | 5% | RMC1/16S 332JTH | J24189031 | | 1- | B | d2 |
| R 1874 | CHIP RES. | 3.3k | 1/16W | 5% | RMC1/16S 332JTH | J24189031 | | 1- | B | d2 |
| R 1875 | CHIP RES. | 3.3k | 1/16W | 5% | RMC1/16S 332JTH | J24189031 | | 1- | B | d2 |
| R 1876 | CHIP RES. | 3.3k | 1/16W | 5% | RMC1/16S 332JTH | J24189031 | | 1- | B | d2 |
| R 1877 | CHIP RES. | 3.3k | 1/16W | 5% | RMC1/16S 332JTH | J24189031 | | 1- | B | d2 |
| R 1878 | CHIP RES. | 3.3k | 1/16W | 5% | RMC1/16S 332JTH | J24189031 | | 1- | B | d2 |
| R 1879 | CHIP RES. | 3.3k | 1/16W | 5% | RMC1/16S 332JTH | J24189031 | | 1- | B | d2 |
| R 1880 | CHIP RES. | 150k | 1/16W | 5% | RMC1/16S 154JTH | J24189051 | | 1- | B | b5 |
| R 1881 | CHIP RES. | 100 | 1/16W | 5% | RMC1/16S 101JTH | J24189013 | | 16- | B | e4 |
| TH1301 | THERMISTOR | | | | TBPS1R473K475H5Q | G9090068 | | 1- | B | b5 |
| TH1302 | THERMISTOR | | | | TBPS1R103K440H5Q | G9090067 | | 1- | B | b5 |
| TH1303 | THERMISTOR | | | | TBPS1R104K475H5Q | G9090069 | | 1- | B | b4 |

MAIN-Unit

Parts List

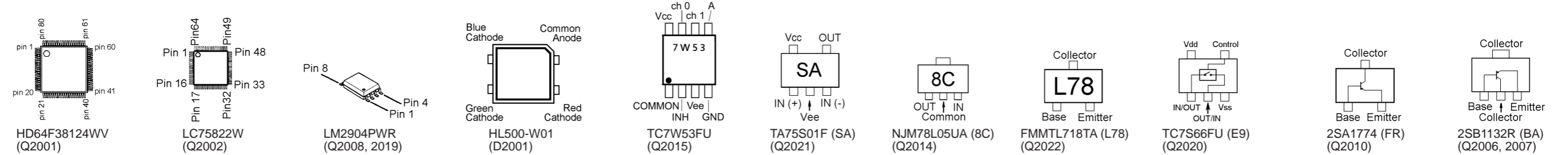
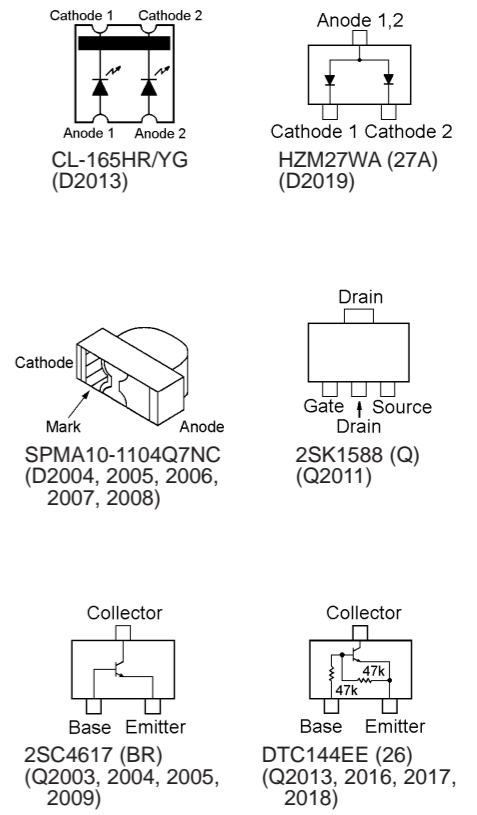
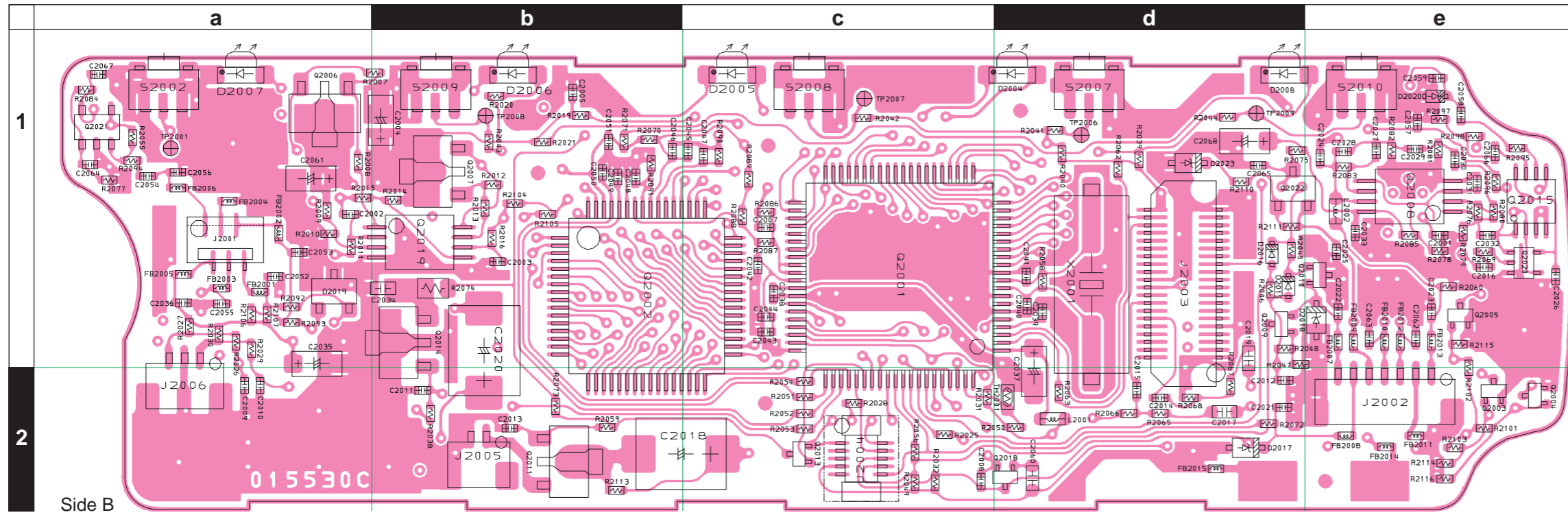
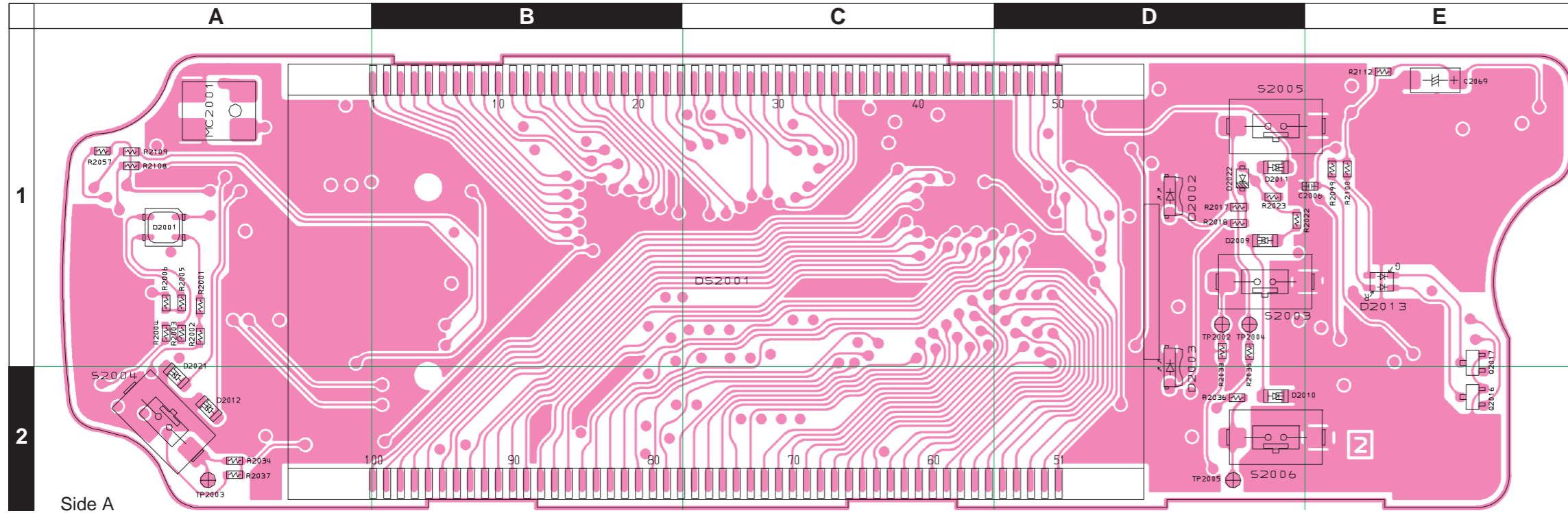
| REF | DESCRIPTION | VALUE | V/W | TOL. | MFR'S DESIG | VXSTD P/N | VERS. | LOT | SIDE | LAY ADR |
|--------|----------------|---------|-----|------|---------------------|-----------|-------|-----|------|---------|
| TH1304 | THERMISTOR | | | | TBPS1R104K475H5Q | G9090069 | | 1- | B | b4 |
| TH1801 | THERMISTOR | | | | TBPS1R103K440H5Q | G9090067 | | 1- | B | c3 |
| X 1301 | XTAL NX5032SA | 11.7MHz | | | 11.7MHZ | H0103320 | | 1- | B | b4 |
| X 1701 | XTAL VT-200 | | | | 32.768KHZ 20PPM/6PF | H0103267 | | 1- | B | d6 |
| X 1702 | XTL XJNGGIDANF | 4MHz | | | 4.000000MHz | H0103314 | | 1- | B | d6 |
| XF1401 | XTAL FILTER | | | | 47R15A9 47.250MHZ | H1102400 | | 1- | B | b4 |
| XF1402 | XTAL FILTER | | | | 47R15A9 47.250MHZ | H1102400 | | 1- | B | a4 |
| | SHIELD CASE | | | | | RA0595400 | | 1- | | |
| | LEAF SPRING | | | | | RA0446200 | | 1- | | |
| | LEAF SPRING | | | | | RA0932500 | | 16- | | |

MAIN-Unit

Note:

PANEL-Unit (Lot. 1~15)

Parts Layout



| REF | DESCRIPTION | VALUE | V/W | TOL. | MFR'S DESIG | VXSTD P/N | VERS. | LOT | SIDE | LAY ADR |
|---------------------|--------------|---------|------|------|--------------------|-----------|---------|-----|------|---------|
| PCB with Components | | | | | | CS1937002 | DST:USA | | | |
| | | | | | | CS1937003 | DST:EXP | | | |
| | | | | | | CS1937004 | DST:EU | | | |
| | | | | | | CS1937005 | DST:AUS | | | |
| C 2001 | CHIP CAP. | 0.001uF | 50V | B | GRM155B11H102KA01D | K22178809 | | 1- | B | e1 |
| C 2002 | CHIP CAP. | 0.33uF | 6.3V | B | GRM155B10J334KE01D | K22088801 | | 1- | B | a1 |
| C 2003 | CHIP CAP. | 0.33uF | 6.3V | B | GRM155B10J334KE01D | K22088801 | | 1- | B | b1 |
| C 2004 | CHIP TA.CAP. | 4.7uF | 16V | | TEESVA1C475M8R | K78120031 | | 1- | B | b1 |
| C 2005 | CHIP CAP. | 0.001uF | 50V | B | GRM155B11H102KA01D | K22178809 | | 1- | B | b1 |
| C 2006 | CHIP CAP. | 0.001uF | 50V | B | GRM155B11H102KA01D | K22178809 | | 1- | A | E1 |
| C 2007 | CHIP CAP. | 0.1uF | 10V | B | GRM155B11A104KA01D | K22108802 | | 1- | B | c1 |
| C 2008 | CHIP CAP. | 0.01uF | 16V | B | GRM36B103K16PT | K22128804 | | 1- | B | c2 |
| C 2008 | CHIP CAP. | 0.01uF | 25V | B | GRM155B11E103KA01D | K22148834 | | 16- | B | c2 |
| C 2009 | CHIP CAP. | 0.015uF | 16V | B | GRM155B11C153KA01D | K22128807 | | 1- | A | E2 |
| C 2010 | CHIP CAP. | 0.015uF | 16V | B | GRM155B11C153KA01D | K22128807 | | 1- | A | E2 |
| C 2011 | CHIP CAP. | 0.001uF | 50V | B | GRM155B11H102KA01D | K22178809 | | 1- | B | b1 |
| C 2012 | CHIP CAP. | 0.001uF | 50V | B | GRM155B11H102KA01D | K22178809 | | 1- | B | d2 |
| C 2013 | CHIP CAP. | 0.01uF | 16V | B | GRM36B103K16PT | K22128804 | | 1- | B | b2 |
| C 2013 | CHIP CAP. | 0.01uF | 25V | B | GRM155B11E103KA01D | K22148834 | | 16- | B | b2 |
| C 2014 | CHIP CAP. | 1uF | 6.3V | B | GRM155B30J105KE18D | K22088803 | | 1- | B | d2 |
| C 2015 | CHIP CAP. | 1uF | 6.3V | B | GRM155B30J105KE18D | K22088803 | | 1- | B | d2 |
| C 2016 | CHIP CAP. | 0.1uF | 10V | B | GRM155B11A104KA01D | K22108802 | | 1- | B | e1 |
| C 2017 | CHIP CAP. | 1uF | 10V | F | GRM188F11A105ZA01D | K22105001 | | 1- | B | d2 |
| C 2018 | CHIP TA.CAP. | 100uF | 10V | | TEESVD21A107M12R | K78100049 | | 1- | B | b2 |
| C 2018 | CHIP TA.CAP. | 100uF | 10V | | TEESVC1A107M12R | K78100075 | | 14- | B | b2 |
| C 2019 | CHIP CAP. | 1uF | 10V | F | GRM188F11A105ZA01D | K22105001 | | 1- | B | d1 |
| C 2020 | CHIP TA.CAP. | 100uF | 10V | | TEESVD21A107M12R | K78100049 | | 1- | B | b1 |
| C 2020 | CHIP TA.CAP. | 100uF | 10V | | TEESVC1A107M12R | K78100075 | | 14- | B | b1 |
| C 2020 | CHIP TA.CAP. | 47uF | 6.3V | | TEESVA0J476M8R | K78080085 | | 16- | B | b1 |
| C 2021 | CHIP CAP. | 47pF | 50V | CH | GRM1552C1H470JZ01D | K22178228 | | 1- | B | d2 |
| C 2022 | CHIP CAP. | 47pF | 50V | CH | GRM1552C1H470JZ01D | K22178228 | | 1- | B | e1 |
| C 2023 | CHIP CAP. | 0.001uF | 50V | B | GRM155B11H102KA01D | K22178809 | | 1- | B | e1 |
| C 2024 | CHIP CAP. | 0.001uF | 50V | B | GRM155B11H102KA01D | K22178809 | | 1- | B | e1 |
| C 2025 | CHIP CAP. | 0.001uF | 50V | B | GRM155B11H102KA01D | K22178809 | | 1- | B | e1 |
| C 2026 | CHIP CAP. | 1uF | 6.3V | B | GRM155B30J105KE18D | K22088803 | | 1- | B | e1 |
| C 2027 | CHIP CAP. | 0.022uF | 16V | B | GRM155B11C223KA01D | K22128806 | | 1- | B | e1 |
| C 2028 | CHIP CAP. | 470pF | 50V | B | GRM155B11H471KA01D | K22178805 | | 1- | B | e1 |
| C 2029 | CHIP CAP. | 0.022uF | 16V | B | GRM155B11C223KA01D | K22128806 | | 1- | B | e1 |
| C 2030 | CHIP CAP. | 0.01uF | 16V | B | GRM36B103K16PT | K22128804 | | 1- | B | e1 |
| C 2030 | CHIP CAP. | 0.01uF | 25V | B | GRM155B11E103KA01D | K22148834 | | 16- | B | e1 |
| C 2031 | CHIP CAP. | 1uF | 6.3V | B | GRM155B30J105KE18D | K22088803 | | 1- | B | e1 |
| C 2032 | CHIP CAP. | 15pF | 50V | CH | GRM1552C1H150JZ01D | K22178216 | | 1- | B | e1 |
| C 2033 | CHIP CAP. | 0.1uF | 10V | B | GRM155B11A104KA01D | K22108802 | | 1- | B | e1 |
| C 2034 | CHIP CAP. | 1uF | 10V | F | GRM188F11A105ZA01D | K22105001 | | 1- | B | b1 |
| C 2035 | CHIP TA.CAP. | 10uF | 6.3V | | TEESVA0J106M8R | K78080027 | | 1- | B | b2 |
| C 2036 | CHIP CAP. | 0.001uF | 50V | B | GRM155B11H102KA01D | K22178809 | | 1- | B | a1 |
| C 2037 | CHIP TA.CAP. | 22uF | 6.3V | | TAJA226M006Y | K78080086 | | 1- | B | d2 |
| C 2038 | CHIP CAP. | 0.001uF | 50V | B | GRM155B11H102KA01D | K22178809 | | 1- | B | c1 |
| C 2039 | CHIP CAP. | 0.1uF | 10V | B | GRM155B11A104KA01D | K22108802 | | 1- | B | d1 |
| C 2040 | CHIP CAP. | 33pF | 50V | CH | GRM1552C1H330JZ01D | K22178224 | | 1- | B | d1 |
| C 2041 | CHIP CAP. | 33pF | 50V | CH | GRM1552C1H330JZ01D | K22178224 | | 1- | B | d1 |
| C 2042 | CHIP CAP. | 0.01uF | 16V | B | GRM36B103K16PT | K22128804 | | 1- | B | c1 |
| C 2042 | CHIP CAP. | 0.01uF | 25V | B | GRM155B11E103KA01D | K22148834 | | 16- | B | c1 |
| C 2043 | CHIP CAP. | 0.1uF | 10V | B | GRM155B11A104KA01D | K22108802 | | 1- | B | c1 |
| C 2044 | CHIP CAP. | 0.001uF | 50V | B | GRM155B11H102KA01D | K22178809 | | 1- | B | c1 |
| C 2045 | CHIP CAP. | 0.1uF | 10V | B | GRM155B11A104KA01D | K22108802 | | 1- | B | c1 |
| C 2046 | CHIP CAP. | 0.001uF | 50V | B | GRM155B11H102KA01D | K22178809 | | 1- | B | b1 |
| C 2047 | CHIP CAP. | 680pF | 50V | B | GRM155B11H681KA01D | K22178807 | | 1- | B | c1 |
| C 2048 | CHIP CAP. | 100pF | 50V | CH | GRM1552C1H101JD01D | K22178236 | | 1- | B | b1 |
| C 2049 | CHIP CAP. | 100pF | 50V | CH | GRM1552C1H101JD01D | K22178236 | | 1- | B | b1 |
| C 2050 | CHIP CAP. | 100pF | 50V | CH | GRM1552C1H101JD01D | K22178236 | | 1- | B | b1 |
| C 2051 | CHIP CAP. | 100pF | 50V | CH | GRM1552C1H101JD01D | K22178236 | | 1- | B | b1 |
| C 2052 | CHIP CAP. | 100pF | 50V | CH | GRM1552C1H101JD01D | K22178236 | | 1- | B | a1 |
| C 2053 | CHIP CAP. | 100pF | 50V | CH | GRM1552C1H101JD01D | K22178236 | | 1- | B | a1 |
| C 2054 | CHIP CAP. | 0.1uF | 10V | B | GRM155B11A104KA01D | K22108802 | | 1- | B | a1 |
| C 2055 | CHIP CAP. | 0.001uF | 50V | B | GRM155B11H102KA01D | K22178809 | | 1- | B | a1 |
| C 2056 | CHIP CAP. | 0.001uF | 50V | B | GRM155B11H102KA01D | K22178809 | | 1- | B | a1 |
| C 2057 | CHIP CAP. | 1uF | 6.3V | B | GRM155B30J105KE18D | K22088803 | | 1- | B | e1 |
| C 2058 | CHIP CAP. | 0.047uF | 10V | B | GRM155B11A473KA01D | K22108801 | | 1- | B | e1 |
| C 2059 | CHIP CAP. | 0.001uF | 50V | B | GRM155B11H102KA01D | K22178809 | | 1- | B | e1 |
| C 2060 | CHIP CAP. | 0.1uF | 16V | B | GRM188B11C104KA01D | K22124805 | | 1- | B | d2 |

PANEL-Unit

Parts List

| REF | DESCRIPTION | VALUE | V/W | TOL. | MFR'S DESIG | VXSTD P/N | VERS. | LOT | SIDE | LAY ADR |
|--------|--------------------|---------|------|------|------------------------|-----------|-------|------|------|---------|
| C 2061 | CHIP TA.CAP. | 4.7uF | 16V | | TEESVA1C475M8R | K78120031 | | 1- | B | a1 |
| C 2062 | CHIP CAP. | 0.001uF | 50V | B | GRM155B11H102KA01D | K22178809 | | 1- | B | e1 |
| C 2063 | CHIP CAP. | 0.001uF | 50V | B | GRM155B11H102KA01D | K22178809 | | 1- | B | e1 |
| C 2064 | CHIP CAP. | 1uF | 6.3V | B | GRM155B30J105KE18D | K22088803 | | 1- | B | a1 |
| C 2065 | CHIP CAP. | 0.001uF | 50V | B | GRM155B11H102KA01D | K22178809 | | 1- | B | d1 |
| C 2066 | CHIP CAP. | 0.1uF | 10V | B | GRM155B11A104KA01D | K22108802 | | 1- | B | e1 |
| C 2067 | CHIP CAP. | 0.1uF | 10V | B | GRM155B11A104KA01D | K22108802 | | 1- | B | a1 |
| C 2068 | CHIP TA.CAP. | 10uF | 10V | | TEESVA1A106M8R | K78100028 | | 1- | B | d1 |
| C 2069 | CHIP TA.CAP. | 10uF | 10V | | TEESVA1A106M8R | K78100028 | | 1- | A | E1 |
| C 2070 | AL.ELECTRO.CAP. | 470uF | 10V | | SMG10VB470M E0 | K40109040 | | 1- | A | A1 |
| C 2071 | AL.ELECTRO.CAP. | 47uF | 6.3V | | RC2-6V470ME1#-T58 | K46080004 | | 1- | B | c2 |
| C 2071 | CHIP TA.CAP. | 47uF | 6.3V | | TEESVA0J476M8R | K78080085 | | 16- | B | c2 |
| C 2072 | AL.ELECTRO.CAP. | 470uF | 6.3V | | RE3-6V471MF3# | K40089034 | | 14- | B | a2 |
| C 2072 | CHIP TA.CAP. | 470uF | 6.3V | | TEESVD0J477M12R | K78080095 | | 16- | B | a2 |
| D 2001 | LED | | | | HL500-W01-SS | G2071146 | | 1- | A | A1 |
| D 2002 | LED | | | | SWTS905-J0 | G2071154 | | 1- | A | D1 |
| D 2002 | LED | | | | SWAA05 | G2071360 | | 29- | A | D1 |
| D 2003 | LED | | | | SWTS905-J0 | G2071154 | | 1- | A | D2 |
| D 2003 | LED | | | | SWAA05 | G2071360 | | 29- | A | D2 |
| D 2004 | LED | | | | MA10-1104Q7NC-WK | G2070878 | | 1- | B | d1 |
| D 2005 | LED | | | | MA10-1104Q7NC-WK | G2070878 | | 1- | B | c1 |
| D 2006 | LED | | | | MA10-1104Q7NC-WK | G2070878 | | 1- | B | b1 |
| D 2007 | LED | | | | MA10-1104Q7NC-WK | G2070878 | | 1- | B | a1 |
| D 2008 | LED | | | | MA10-1104Q7NC-WK | G2070878 | | 1- | B | d1 |
| D 2009 | LED | | | | 19-213/S2C-AN1P2B/3T | G2071096 | | 1- | A | D1 |
| D 2010 | LED | | | | 19-213/S2C-AN1P2B/3T | G2071096 | | 1- | A | D2 |
| D 2011 | LED | | | | 19-213/S2C-AN1P2B/3T | G2071096 | | 1- | A | D1 |
| D 2012 | LED | | | | 19-213/S2C-AN1P2B/3T | G2071096 | | 1- | A | A2 |
| D 2013 | LED | | | | CL-165HR/YG-D-T | G2070860 | | 1- | A | E1 |
| D 2015 | DIODE | | | | 1SS400 TE61 | G2070634 | | 1- | B | d1 |
| D 2016 | DIODE | | | | 1SS400 TE61 | G2070634 | | 1- | B | d1 |
| D 2017 | DIODE | | | | UDZS TE-17 5.6B | G2070910 | | 1- | B | d2 |
| D 2018 | DIODE | | | | UDZS TE-17 5.6B | G2070910 | | 1- | B | e1 |
| D 2019 | DIODE | | | | HZM27WA TR-E | G2070530 | | 1- | B | a1 |
| D 2021 | LED | | | | 19-213/S2C-AN1P2B/3T | G2071096 | | 1- | A | A2 |
| D 2022 | DIODE | | | | 1SS400 TE61 | G2070634 | | 1- | A | D1 |
| D 2023 | DIODE | | | | UDZS TE-17 5.6B | G2070910 | | 1- | B | d1 |
| DS2001 | LCD | | | | IS11161E | G6090179 | | 1- | A | C1 |
| FB2001 | FERRITE BEADS | | | | BLM15AG121SN1D | L1690843 | | 1- | B | a1 |
| FB2002 | FERRITE BEADS | | | | BLM15AG121SN1D | L1690843 | | 1- | B | a1 |
| FB2003 | FERRITE BEADS | | | | BLM15AG121SN1D | L1690843 | | 1- | B | a1 |
| FB2004 | FERRITE BEADS | | | | BLM15AG121SN1D | L1690843 | | 1- | B | a1 |
| FB2005 | FERRITE BEADS | | | | BLM15AG121SN1D | L1690843 | | 1-13 | B | a1 |
| FB2005 | FERRITE BEADS | | | | BLM15AG121SN1D | L1690843 | | 16- | B | a1 |
| FB2006 | FERRITE BEADS | | | | BLM15AG121SN1D | L1690843 | | 1- | B | a1 |
| FB2007 | FERRITE BEADS | | | | BLM15AG121SN1D | L1690843 | | 1- | B | e1 |
| FB2008 | FERRITE BEADS | | | | BLM15AG121SN1D | L1690843 | | 1- | B | e2 |
| FB2009 | FERRITE BEADS | | | | BLM15AG121SN1D | L1690843 | | 1- | B | e1 |
| FB2010 | FERRITE BEADS | | | | BLM15AG121SN1D | L1690843 | | 1- | B | e1 |
| FB2011 | FERRITE BEADS | | | | BLM15AG121SN1D | L1690843 | | 1- | B | e2 |
| FB2012 | FERRITE BEADS | | | | BLM15AG121SN1D | L1690843 | | 1- | B | e1 |
| FB2013 | FERRITE BEADS | | | | BLM15AG121SN1D | L1690843 | | 1- | B | e1 |
| FB2014 | FERRITE BEADS | | | | BLM15AG121SN1D | L1690843 | | 1- | B | e2 |
| FB2015 | FERRITE BEADS | | | | BLM15AG121SN1D | L1690843 | | 1- | B | d2 |
| J 2001 | CONNECTOR | | | | 06FLT-SM2-TB(LF)(SN) | P1091255 | | 1- | B | a1 |
| J 2002 | CONNECTOR | | | | BM07B-SRSS-TBT(LF)(SN) | P0091467 | | 1- | B | e2 |
| J 2003 | CONNECTOR | | | | AXK6S40635P | P0091323 | | 1- | B | d1 |
| J 2004 | CONNECTOR | | | | AXK6F10345YP | P0091378 | | 1- | B | c2 |
| J 2005 | CONNECTOR | | | | BM02B-SRSS-TBT(LF)(SN) | P0091465 | | 1- | B | b2 |
| J 2006 | CONNECTOR | | | | BM03B-SRSS-TBT(LF)(SN) | P0091301 | | 1- | B | a2 |
| L 2001 | M.RFC | 1uH | | | LK1608 1R0K-T | L1690687 | | 1- | B | d2 |
| L 2002 | M.RFC | 2.2uH | | | LK1608 2R2K-T | L1690634 | | 1- | B | e1 |
| MC2001 | MICROPHONE ELEMENT | | | | SPM0204HD5-6 | M3290047 | | 1- | A | A1 |
| Q 2001 | IC | | | | HD64F38124WV | | | 1- | B | c1 |
| Q 2002 | IC | | | | LC75822W | G1094358 | | 1- | B | b1 |
| Q 2003 | TRANSISTOR | | | | 2SC4617 TL R | G3346178R | | 1- | B | e2 |
| Q 2004 | TRANSISTOR | | | | 2SC4617 TL R | G3346178R | | 1- | B | e2 |
| Q 2005 | TRANSISTOR | | | | 2SC4617 TL R | G3346178R | | 1- | B | e1 |
| Q 2006 | TRANSISTOR | | | | 2SB1132 T100 R | G3211327R | | 1- | B | a1 |
| Q 2007 | TRANSISTOR | | | | 2SB1132 T100 R | G3211327R | | 1- | B | b1 |
| Q 2008 | IC | | | | LM2904PWR | G1094010 | | 1- | B | e1 |

PANEL-Unit

Parts List

| REF | DESCRIPTION | VALUE | V/W | TOL. | MFR'S DESIG | VXSTD P/N | VERS. | LOT | SIDE | LAY ADR |
|--------|-------------|-------|-------|------|-------------------|-----------|-------|-----|------|---------|
| Q 2009 | TRANSISTOR | | | | 2SC4617 TL R | G3346178R | | 1- | B | d1 |
| Q 2010 | TRANSISTOR | | | | 2SA1774 TL R | G3117748R | | 1- | B | e1 |
| Q 2011 | FET | | | | 2SK1588-T1-AZ | G3815888 | | 1- | B | b2 |
| Q 2013 | TRANSISTOR | | | | DTC144EE TL | G3070075 | | 1- | B | c2 |
| Q 2014 | IC | | | | NJM78L05UA-TE1 | G1091325 | | 1- | B | b1 |
| Q 2015 | IC | | | | TC7W53FU(TE12L_F) | G1094158 | | 1- | B | e1 |
| Q 2016 | TRANSISTOR | | | | DTC144EE TL | G3070075 | | 1- | A | E2 |
| Q 2017 | TRANSISTOR | | | | DTC144EE TL | G3070075 | | 1- | A | E1 |
| Q 2018 | TRANSISTOR | | | | DTC144EE TL | G3070075 | | 1- | B | d2 |
| Q 2019 | IC | | | | LM2904PWR | G1094010 | | 1- | B | b1 |
| Q 2020 | IC | | | | TC7S66FU(TE85R.F) | G1092116 | | 1- | B | e1 |
| Q 2021 | IC | | | | TA75S01F(TE85R.F) | G1091593 | | 1- | B | a1 |
| Q 2022 | TRANSISTOR | | | | FMMTL718TA | G3070335 | | 1- | B | d1 |
| R 2001 | CHIP RES. | 120 | 1/16W | 5% | RMC1/16S 121JTH | J24189014 | | 1- | A | A1 |
| R 2002 | CHIP RES. | 120 | 1/16W | 5% | RMC1/16S 121JTH | J24189014 | | 1- | A | A1 |
| R 2003 | CHIP RES. | 100 | 1/16W | 5% | RMC1/16S 101JTH | J24189013 | | 1- | A | A1 |
| R 2004 | CHIP RES. | 100 | 1/16W | 5% | RMC1/16S 101JTH | J24189013 | | 1- | A | A1 |
| R 2005 | CHIP RES. | 100 | 1/16W | 5% | RMC1/16S 101JTH | J24189013 | | 1- | A | A1 |
| R 2006 | CHIP RES. | 100 | 1/16W | 5% | RMC1/16S 101JTH | J24189013 | | 1- | A | A1 |
| R 2007 | CHIP RES. | 2.7k | 1/16W | 5% | RMC1/16S 272JTH | J24189030 | | 1- | B | b1 |
| R 2008 | CHIP RES. | 4.7k | 1/16W | 5% | RMC1/16S 472JTH | J24189033 | | 1- | B | a1 |
| R 2009 | CHIP RES. | 8.2k | 1/16W | 5% | RMC1/16S 822JTH | J24189036 | | 1- | B | a1 |
| R 2010 | CHIP RES. | 10k | 1/16W | 5% | RMC1/16S 103JTH | J24189037 | | 1- | B | a1 |
| R 2011 | CHIP RES. | 100k | 1/16W | 5% | RMC1/16S 104JTH | J24189049 | | 1- | B | a1 |
| R 2012 | CHIP RES. | 2.7k | 1/16W | 5% | RMC1/16S 272JTH | J24189030 | | 1- | B | b1 |
| R 2013 | CHIP RES. | 4.7k | 1/16W | 5% | RMC1/16S 472JTH | J24189033 | | 1- | B | b1 |
| R 2014 | CHIP RES. | 8.2k | 1/16W | 5% | RMC1/16S 822JTH | J24189036 | | 1- | B | b1 |
| R 2015 | CHIP RES. | 10k | 1/16W | 5% | RMC1/16S 103JTH | J24189037 | | 1- | B | a1 |
| R 2016 | CHIP RES. | 100k | 1/16W | 5% | RMC1/16S 104JTH | J24189049 | | 1- | B | b1 |
| R 2017 | CHIP RES. | 150 | 1/16W | 5% | RMC1/16S 151JTH | J24189015 | | 1- | A | D1 |
| R 2018 | CHIP RES. | 150 | 1/16W | 5% | RMC1/16S 151JTH | J24189015 | | 1- | A | D1 |
| R 2019 | CHIP RES. | 820 | 1/16W | 5% | RMC1/16S 821JTH | J24189024 | | 1- | B | b1 |
| R 2020 | CHIP RES. | 820 | 1/16W | 5% | RMC1/16S 821JTH | J24189024 | | 1- | B | b1 |
| R 2021 | CHIP RES. | 820 | 1/16W | 5% | RMC1/16S 821JTH | J24189024 | | 1- | B | b1 |
| R 2022 | CHIP RES. | 270 | 1/16W | 5% | RMC1/16S 271JTH | J24189018 | | 1- | A | D1 |
| R 2023 | CHIP RES. | 270 | 1/16W | 5% | RMC1/16S 271JTH | J24189018 | | 1- | A | D1 |
| R 2025 | CHIP RES. | 1k | 1/16W | 5% | RMC1/16S 102JTH | J24189025 | | 1- | B | c2 |
| R 2026 | CHIP RES. | 100k | 1/16W | 5% | RMC1/16S 104JTH | J24189049 | | 1- | B | a1 |
| R 2027 | CHIP RES. | 10k | 1/16W | 5% | RMC1/16S 103JTH | J24189037 | | 1- | B | a1 |
| R 2028 | CHIP RES. | 1k | 1/16W | 5% | RMC1/16S 102JTH | J24189025 | | 1- | B | c2 |
| R 2029 | CHIP RES. | 100k | 1/16W | 5% | RMC1/16S 104JTH | J24189049 | | 1- | B | a1 |
| R 2030 | CHIP RES. | 10k | 1/16W | 5% | RMC1/16S 103JTH | J24189037 | | 1- | B | a1 |
| R 2031 | CHIP RES. | 100k | 1/16W | 5% | RMC1/16S 104JTH | J24189049 | | 1- | B | c2 |
| R 2032 | CHIP RES. | 100k | 1/16W | 5% | RMC1/16S 104JTH | J24189049 | | 1- | B | c2 |
| R 2033 | CHIP RES. | 56k | 1/16W | 5% | RMC1/16S 563JTH | J24189046 | | 1- | A | D1 |
| R 2034 | CHIP RES. | 33k | 1/16W | 5% | RMC1/16S 333JTH | J24189043 | | 1- | A | A2 |
| R 2035 | CHIP RES. | 56k | 1/16W | 5% | RMC1/16S 563JTH | J24189046 | | 1- | A | D1 |
| R 2036 | CHIP RES. | 33k | 1/16W | 5% | RMC1/16S 333JTH | J24189043 | | 1- | A | D2 |
| R 2037 | CHIP RES. | 33k | 1/16W | 5% | RMC1/16S 333JTH | J24189043 | | 1- | A | A2 |
| R 2038 | CHIP RES. | 33k | 1/16W | 5% | RMC1/16S 333JTH | J24189043 | | 1- | B | b2 |
| R 2039 | CHIP RES. | 33k | 1/16W | 5% | RMC1/16S 333JTH | J24189043 | | 1- | B | d1 |
| R 2040 | CHIP RES. | 33k | 1/16W | 5% | RMC1/16S 333JTH | J24189043 | | 1- | B | d1 |
| R 2041 | CHIP RES. | 56k | 1/16W | 5% | RMC1/16S 563JTH | J24189046 | | 1- | B | d1 |
| R 2042 | CHIP RES. | 33k | 1/16W | 5% | RMC1/16S 333JTH | J24189043 | | 1- | B | c1 |
| R 2043 | CHIP RES. | 56k | 1/16W | 5% | RMC1/16S 563JTH | J24189046 | | 1- | B | b1 |
| R 2044 | CHIP RES. | 33k | 1/16W | 5% | RMC1/16S 333JTH | J24189043 | | 1- | B | d1 |
| R 2045 | CHIP RES. | 22k | 1/16W | 5% | RMC1/16S 223JTH | J24189041 | | 1- | B | d1 |
| R 2046 | CHIP RES. | 47k | 1/16W | 5% | RMC1/16S 473JTH | J24189045 | | 1- | B | d1 |
| R 2047 | CHIP RES. | 47k | 1/16W | 5% | RMC1/16S 473JTH | J24189045 | | 1- | B | d1 |
| R 2048 | CHIP RES. | 47k | 1/16W | 5% | RMC1/16S 473JTH | J24189045 | | 1- | B | d1 |
| R 2049 | CHIP RES. | 10k | 1/16W | 5% | RMC1/16S 103JTH | J24189037 | | 1- | B | c2 |
| R 2050 | CHIP RES. | 10k | 1/16W | 0.5% | RR0510P-103-D | J24189143 | | 1- | B | d2 |
| R 2051 | CHIP RES. | 1k | 1/16W | 5% | RMC1/16S 102JTH | J24189025 | | 1- | B | c2 |
| R 2052 | CHIP RES. | 1k | 1/16W | 5% | RMC1/16S 102JTH | J24189025 | | 1- | B | c2 |
| R 2053 | CHIP RES. | 1k | 1/16W | 5% | RMC1/16S 102JTH | J24189025 | | 1- | B | c2 |
| R 2054 | CHIP RES. | 1k | 1/16W | 5% | RMC1/16S 102JTH | J24189025 | | 1- | B | c2 |
| R 2055 | CHIP RES. | 150k | 1/16W | 5% | RMC1/16S 154JTH | J24189051 | | 1- | B | a1 |
| R 2056 | CHIP RES. | 330 | 1/16W | 5% | RMC1/16S 331JTH | J24189019 | | 1- | B | c2 |
| R 2057 | CHIP RES. | 1k | 1/16W | 5% | RMC1/16S 102JTH | J24189025 | | 1- | A | A1 |
| R 2058 | CHIP RES. | 1M | 1/16W | 5% | RMC1/16S 105JTH | J24189061 | | 1- | B | d1 |
| R 2059 | CHIP RES. | 220k | 1/16W | 5% | RMC1/16S 224JTH | J24189053 | | 1- | B | b2 |

PANEL-Unit

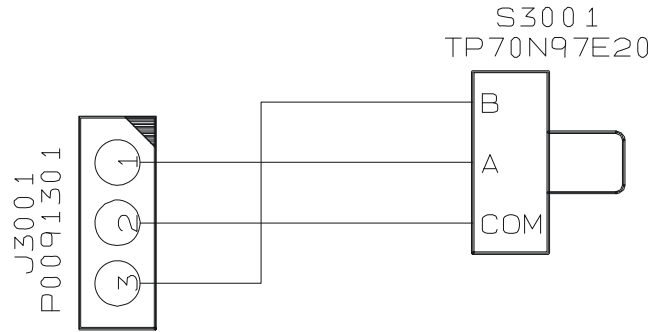
Parts List

| REF | DESCRIPTION | VALUE | V/W | TOL. | MFR'S DESIG | VXSTD P/N | VERS. | LOT | SIDE | LAY ADR |
|--------|----------------|-------|-------|------|------------------|-----------|-------|-----|------|---------|
| R 2060 | CHIP RES. | 4.7k | 1/16W | 5% | RMC1/16S 472JTH | J24189033 | | 1- | B | e1 |
| R 2062 | CHIP RES. | 22k | 1/16W | 5% | RMC1/16S 223JTH | J24189041 | | 1- | B | d1 |
| R 2063 | CHIP RES. | 1k | 1/16W | 5% | RMC1/16S 102JTH | J24189025 | | 1- | B | d2 |
| R 2065 | CHIP RES. | 100k | 1/16W | 5% | RMC1/16S 104JTH | J24189049 | | 1- | B | d2 |
| R 2067 | CHIP RES. | 100k | 1/16W | 5% | RMC1/16S 104JTH | J24189049 | | 1- | B | d2 |
| R 2069 | CHIP RES. | 150k | 1/16W | 5% | RMC1/16S 154JTH | J24189051 | | 1- | B | e1 |
| R 2070 | CHIP RES. | 470k | 1/16W | 5% | RMC1/16S 474JTH | J24189057 | | 1- | B | b1 |
| R 2071 | CHIP RES. | 22k | 1/16W | 5% | RMC1/16S 223JTH | J24189041 | | 1- | B | b1 |
| R 2072 | CHIP RES. | 330 | 1/16W | 5% | RMC1/16S 331JTH | J24189019 | | 1- | B | d2 |
| R 2073 | CHIP RES. | 100k | 1/16W | 5% | RMC1/16S 104JTH | J24189049 | | 1- | B | b2 |
| R 2074 | CHIP RES. | 10 | 1/10W | 5% | RMC1/10T 100J | J24205100 | | 1- | B | b1 |
| R 2075 | CHIP RES. | 100 | 1/16W | 5% | RMC1/16S 101JTH | J24189013 | | 1- | B | d1 |
| R 2076 | CHIP RES. | 150k | 1/16W | 5% | RMC1/16S 154JTH | J24189051 | | 1- | B | e1 |
| R 2077 | CHIP RES. | 33k | 1/16W | 5% | RMC1/16S 333JTH | J24189043 | | 1- | B | a1 |
| R 2078 | CHIP RES. | 150k | 1/16W | 5% | RMC1/16S 154JTH | J24189051 | | 1- | B | e1 |
| R 2079 | CHIP RES. | 4.7k | 1/16W | 5% | RMC1/16S 472JTH | J24189033 | | 1- | B | e1 |
| R 2080 | CHIP RES. | 1k | 1/16W | 5% | RMC1/16S 102JTH | J24189025 | | 1- | B | e1 |
| R 2081 | CHIP RES. | 10k | 1/16W | 5% | RMC1/16S 103JTH | J24189037 | | 1- | B | e1 |
| R 2082 | CHIP RES. | 15k | 1/16W | 5% | RMC1/16S 153JTH | J24189039 | | 1- | B | e1 |
| R 2083 | CHIP RES. | 2.2M | 1/16W | 5% | RMC1/16S 225JTH | J24189065 | | 1- | B | e1 |
| R 2084 | CHIP RES. | 47k | 1/16W | 5% | RMC1/16S 473JTH | J24189045 | | 1- | B | a1 |
| R 2085 | CHIP RES. | 220k | 1/16W | 5% | RMC1/16S 224JTH | J24189053 | | 1- | B | e1 |
| R 2086 | CHIP RES. | 1k | 1/16W | 5% | RMC1/16S 102JTH | J24189025 | | 1- | B | c1 |
| R 2087 | CHIP RES. | 1k | 1/16W | 5% | RMC1/16S 102JTH | J24189025 | | 1- | B | c1 |
| R 2088 | CHIP RES. | 47 | 1/16W | 5% | RMC1/16S 470JTH | J24189009 | | 1- | B | c1 |
| R 2089 | CHIP RES. | 820 | 1/16W | 5% | RMC1/16S 821JTH | J24189024 | | 1- | B | c1 |
| R 2090 | CHIP RES. | 56k | 1/16W | 5% | RMC1/16S 563JTH | J24189046 | | 1- | B | c1 |
| R 2091 | CHIP RES. | 100k | 1/16W | 5% | RMC1/16S 104JTH | J24189049 | | 1- | B | b1 |
| R 2092 | CHIP RES. | 1k | 1/16W | 5% | RMC1/16S 102JTH | J24189025 | | 1- | B | a1 |
| R 2093 | CHIP RES. | 1k | 1/16W | 5% | RMC1/16S 102JTH | J24189025 | | 1- | B | a1 |
| R 2094 | CHIP RES. | 15k | 1/16W | 5% | RMC1/16S 153JTH | J24189039 | | 1- | B | a1 |
| R 2095 | CHIP RES. | 2.2k | 1/16W | 5% | RMC1/16S 222JTH | J24189029 | | 1- | B | e1 |
| R 2096 | CHIP RES. | 470 | 1/16W | 5% | RMC1/16S 471JTH | J24189021 | | 1- | B | e1 |
| R 2097 | CHIP RES. | 15k | 1/16W | 5% | RMC1/16S 153JTH | J24189039 | | 1- | B | e1 |
| R 2098 | CHIP RES. | 150k | 1/16W | 5% | RMC1/16S 154JTH | J24189051 | | 1- | B | e1 |
| R 2099 | CHIP RES. | 820 | 1/16W | 5% | RMC1/16S 821JTH | J24189024 | | 1- | A | E1 |
| R 2100 | CHIP RES. | 470 | 1/16W | 5% | RMC1/16S 471JTH | J24189021 | | 1- | A | E1 |
| R 2101 | CHIP RES. | 10k | 1/16W | 5% | RMC1/16S 103JTH | J24189037 | | 1- | B | e2 |
| R 2102 | CHIP RES. | 10k | 1/16W | 5% | RMC1/16S 103JTH | J24189037 | | 1- | B | e1 |
| R 2103 | CHIP RES. | 10k | 1/16W | 5% | RMC1/16S 103JTH | J24189037 | | 1- | B | e2 |
| R 2104 | CHIP RES. | 22k | 1/16W | 5% | RMC1/16S 223JTH | J24189041 | | 1- | B | b1 |
| R 2105 | CHIP RES. | 22k | 1/16W | 5% | RMC1/16S 223JTH | J24189041 | | 1- | B | b1 |
| R 2106 | CHIP RES. | 100k | 1/16W | 0.5% | RR0510R-104-D | J24189167 | | 1- | B | a1 |
| R 2107 | CHIP RES. | 100k | 1/16W | 0.5% | RR0510R-104-D | J24189167 | | 1- | B | a1 |
| R 2108 | CHIP RES. | 100k | 1/16W | 5% | RMC1/16S 104JTH | J24189049 | | 1- | A | A1 |
| R 2109 | CHIP RES. | 100k | 1/16W | 5% | RMC1/16S 104JTH | J24189049 | | 1- | A | A1 |
| R 2110 | CHIP RES. | 1k | 1/16W | 5% | RMC1/16S 102JTH | J24189025 | | 1- | B | d1 |
| R 2111 | CHIP RES. | 2.2k | 1/16W | 5% | RMC1/16S 222JTH | J24189029 | | 1- | B | d1 |
| R 2112 | CHIP RES. | 470 | 1/16W | 5% | RMC1/16S 471JTH | J24189021 | | 1- | A | E1 |
| R 2113 | CHIP RES. | 3.3k | 1/16W | 5% | RMC1/16S 332JTH | J24189031 | | 1- | B | b2 |
| R 2114 | CHIP RES. | 10k | 1/16W | 5% | RMC1/16S 103JTH | J24189037 | | 1- | B | e2 |
| R 2115 | CHIP RES. | 10k | 1/16W | 5% | RMC1/16S 103JTH | J24189037 | | 1- | B | e1 |
| R 2116 | CHIP RES. | 10k | 1/16W | 5% | RMC1/16S 103JTH | J24189037 | | 1- | B | e2 |
| R 2117 | CHIP RES. | 100 | 1/10W | 5% | RMC1/10T 101J | J24205101 | | 14- | B | a1 |
| R 2117 | CHIP RES. | 100 | 1/16W | 5% | RMC1/16S 101JTH | J24189013 | | 16- | B | a1 |
| S 2002 | TACT SWITCH | | | | SKRTLBE010 | N5090154 | | 1- | B | a1 |
| S 2003 | TACT SWITCH | | | | SKQMASE010 | N5090092 | | 1- | A | D1 |
| S 2003 | TACT SWITCH | | | | SKQMASE010 | N5090092A | | 9- | A | D1 |
| S 2004 | TACT SWITCH | | | | SKQMASE010 | N5090092 | | 1- | A | A2 |
| S 2004 | TACT SWITCH | | | | SKQMASE010 | N5090092A | | 9- | A | A2 |
| S 2005 | TACT SWITCH | | | | SKQMASE010 | N5090092 | | 1- | A | D1 |
| S 2005 | TACT SWITCH | | | | SKQMASE010 | N5090092A | | 9- | A | D1 |
| S 2006 | TACT SWITCH | | | | SKQMASE010 | N5090092 | | 1- | A | D2 |
| S 2006 | TACT SWITCH | | | | SKQMASE010 | N5090092A | | 9- | A | D2 |
| S 2007 | TACT SWITCH | | | | SKRTLBE010 | N5090154 | | 1- | B | d1 |
| S 2008 | TACT SWITCH | | | | SKRTLBE010 | N5090154 | | 1- | B | c1 |
| S 2009 | TACT SWITCH | | | | SKRTLBE010 | N5090154 | | 1- | B | b1 |
| S 2010 | TACT SWITCH | | | | SKRTLBE010 | N5090154 | | 1- | B | e1 |
| TH2001 | THERMISTOR | | | | TBPS1R103K440H5Q | G9090067 | | 1- | B | d2 |
| X 2001 | XTL XJNGGIDANF | 4MHz | | | 4.000000MHz | H0103314 | | 1- | B | d1 |
| | LIGHT GUIDE | | | | (LCD) | RA0883600 | | 1- | | |

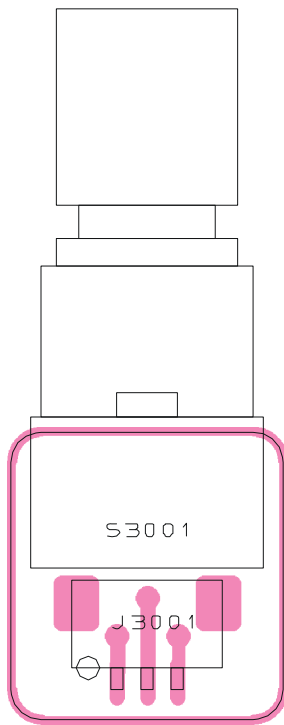
PANEL-Unit

Note

Circuit Diagram



Parts Layout



Side A



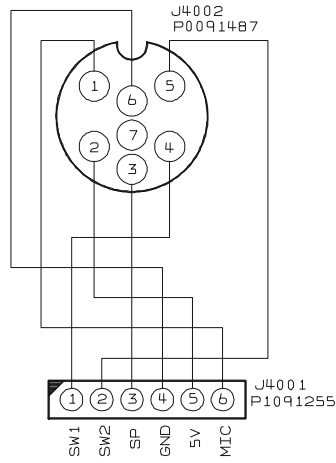
Side B

Parts List

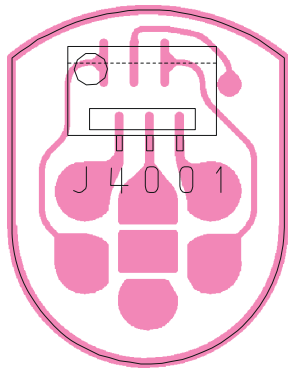
| REF. | DESCRIPTION | VALUE | V/W | TOL. | MFR'S DESIG | VXSTD P/N | VERS. | LOT. | SIDE | LAY ADR |
|--------|----------------|-------|-----|------|---------------------------|-----------|-------|------|------|---------|
| J 3001 | CONNECTOR | | | | BM03B-SRSS-TBT(LF)(SN) | P0091301 | | 1- | A | |
| S 3001 | ROTARY ENCODER | | | | TP70N97E20 13.5FT RY-8200 | Q9000865 | | 1- | A | |

CONNECTOR-Unit (Lot. 1~15)

Circuit Diagram



Parts Layout



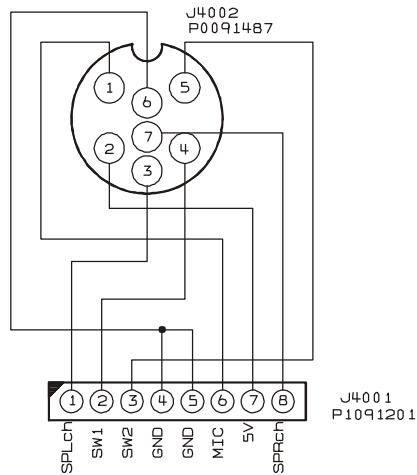
Side A



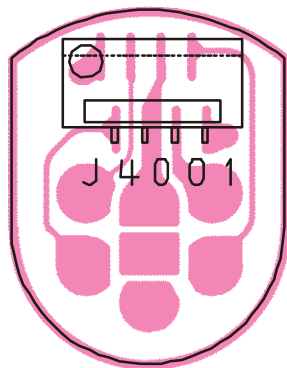
Side B

CONNECTOR-Unit (Lot. 16~)

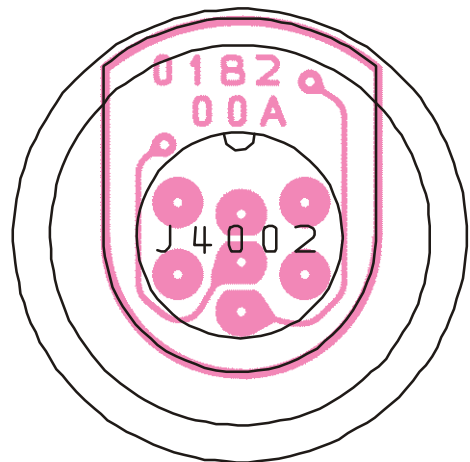
Circuit Diagram



Parts Layout



Side A



Side B

Parts List

| REF. | DESCRIPTION | VALUE | V/W | TOL. | MFR'S DESIG | VXSTD P/N | VERS. | LOT. | SIDE | LAY ADR |
|---------------------|-------------|-------|-----|------|----------------------|-----------|-------|------|------|---------|
| PCB with Components | | | | | | CB4022001 | | | | |
| J 4001 | CONNECTOR | | | | 06FLT-SM2-TB(LF)(SN) | P1091255 | | 1- | A | |
| J 4001 | CONNECTOR | | | | 08FLT-SM2-TB(LF)(SN) | P1091201 | | 16- | A | A1 |
| J 4002 | CONNECTOR | | | | 448MRW-7P | P0091487 | | 1- | B | |

YAESU

Copyright 2011
VERTEX STANDARD CO., LTD.
All rights reserved

No portion of this manual
may be reproduced without
the permission of
VERTEX STANDARD CO., LTD.