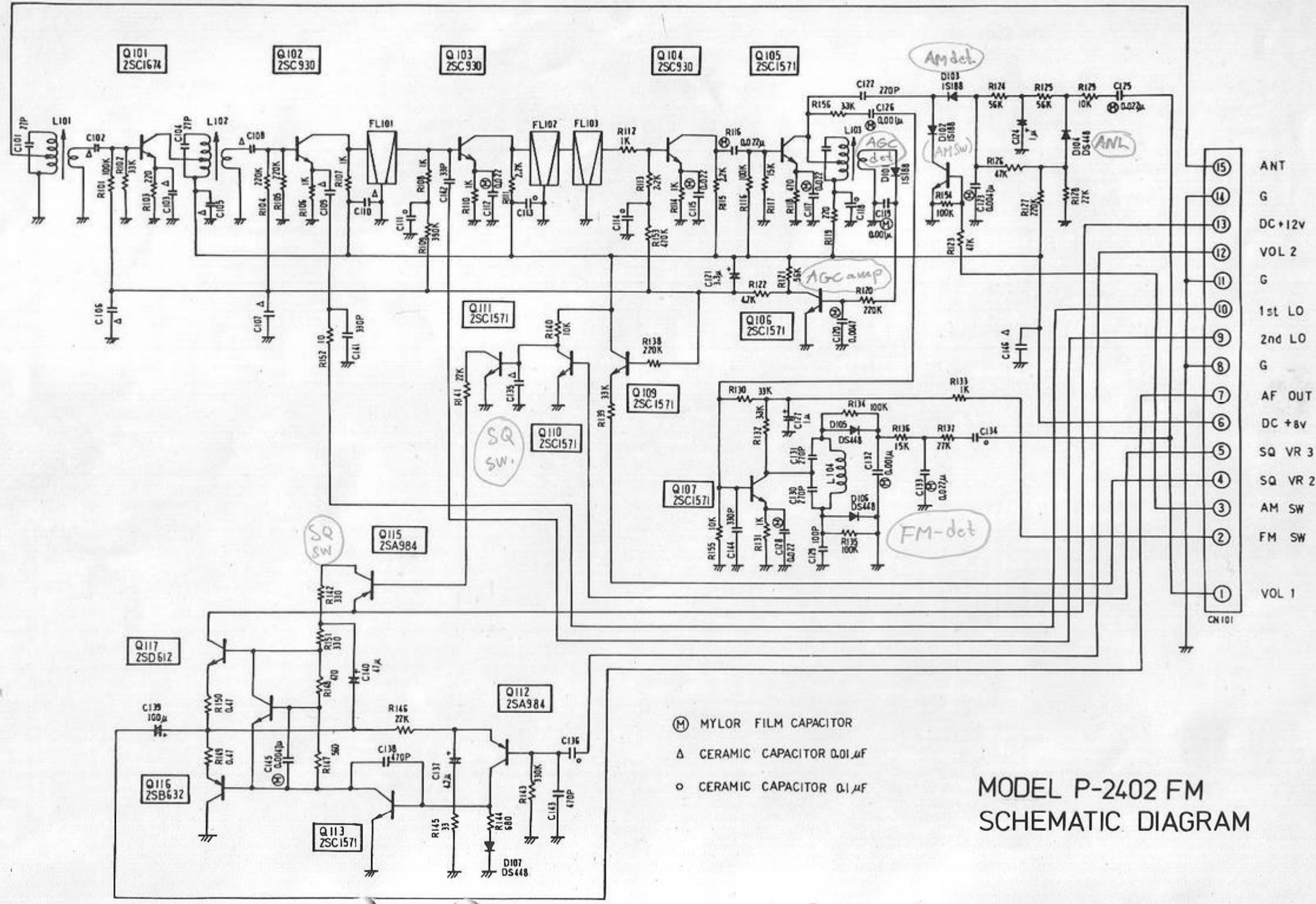


MODEL P-2402 FM
SCHEMATIC DIAGRAM

A402 AN6550

A401 AN6550



- (M) MYLOR FILM CAPACITOR
- (Δ) CERAMIC CAPACITOR 0.01 μF
- (○) CERAMIC CAPACITOR 0.1 μF

MODEL P-2402 FM
SCHEMATIC DIAGRAM