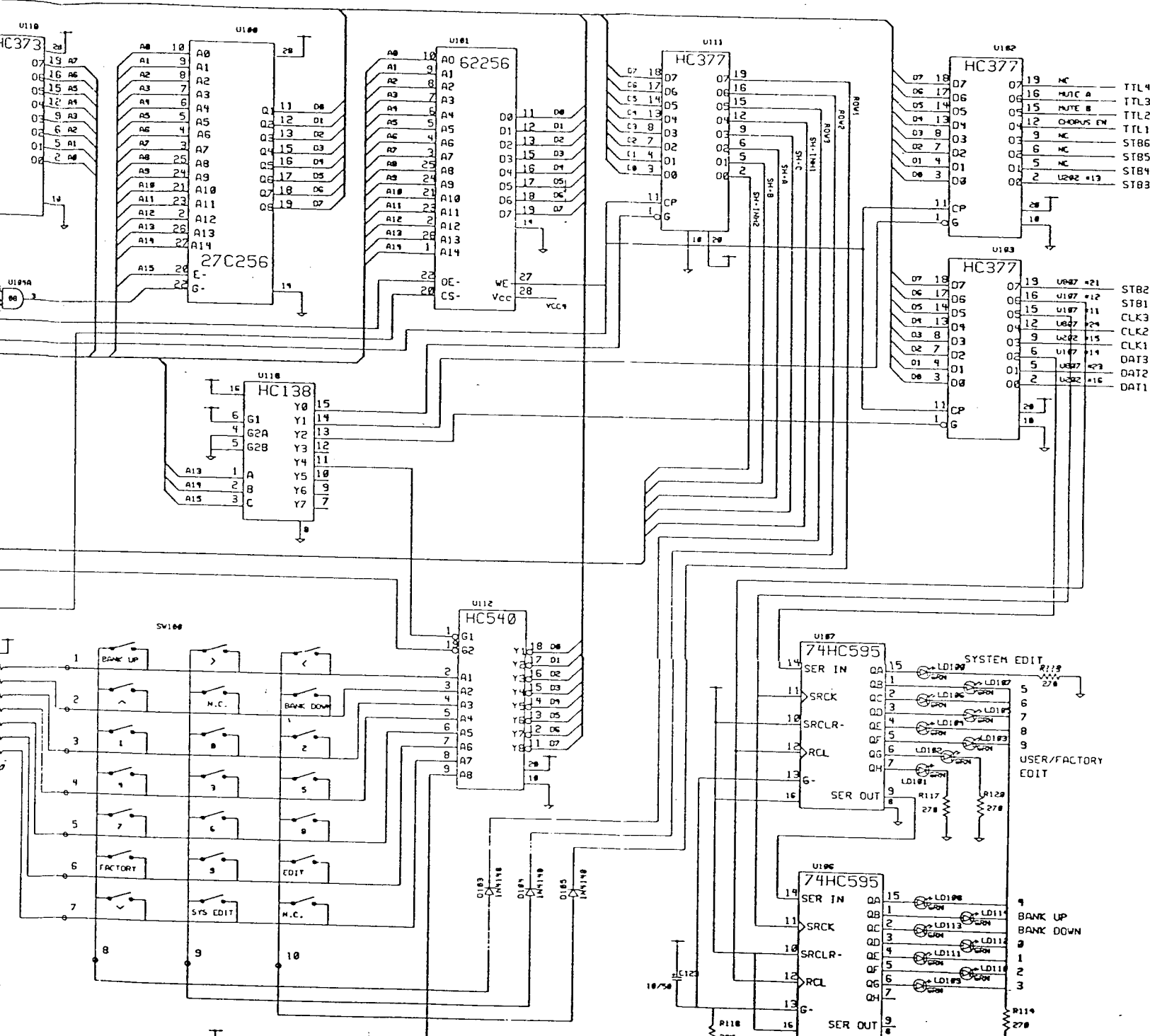


REVISIONS				
ZONE	REV.	DESCRIPTION	DATE	APPROVED
	A	PLI EASF	7/27/93	
	B	CHG D P112	9/3/93	



NOTES
1. T INDICATES VCC1 (-5Vdc)

DWG	TITLE	FILE
D850	MICROPROCESSOR AND INTER FACE	MP2A
D851	INPUT PREAMP, COMPRESSOR, WAH	MP2B
D852	TUBE CKTS, MASTER VOLUME	MP2C
D853	PASSIVE AND ACTIVE EQ	MP2D
D854	CHORUS, EFFECTS LOOP, NOISE GATE	MP2E
D855	OUTPUT MIXERS, DRVRS AND CONTROLS	MP2F
D856	LED METER AND POWER SUPPLY	MP2G

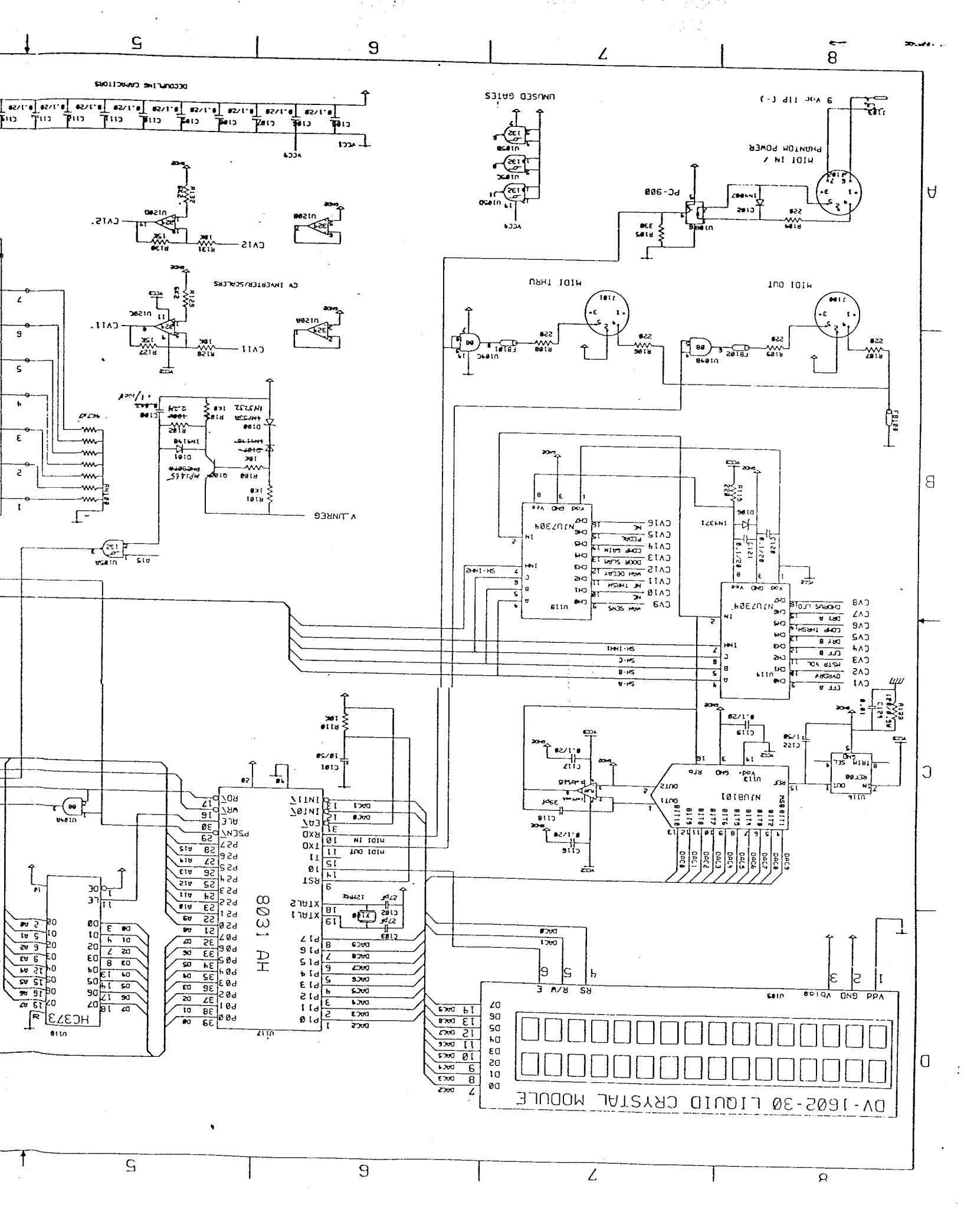
PROPRIETARY
THIS DRAWING DOCUMENT CONTAINS INFORMATION WHICH IS PROPRIETARY TO AND IS THE PROPERTY OF ADA SIGNAL PROCESSORS, INC. AND MAY NOT BE USED, REPRODUCED OR DISCLOSED IN ANY MANNER WITHOUT THE EXPRESSED WRITTEN CONSENT OF ADA SIGNAL PROCESSORS, INC.

ADA SIGNAL PROCESSORS, INC.
420 LESSER STREET
OAKLAND, CA 94601

MP-2 SCHEMATIC: MICROPROCESSOR & INTERFACE CIRCUITS

DRAWN: EMB	SIZE: D	DRAWING NUMBER: 850
CHEK: EMB/DJT	SCALE:	DATE: 86-SEP-93 SHEET 1 OF 1

C111	C112	C113	C114
0.1/20	0.1/20	0.1/20	0.1/20

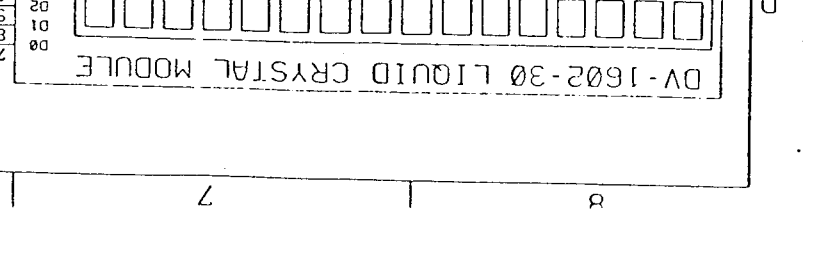
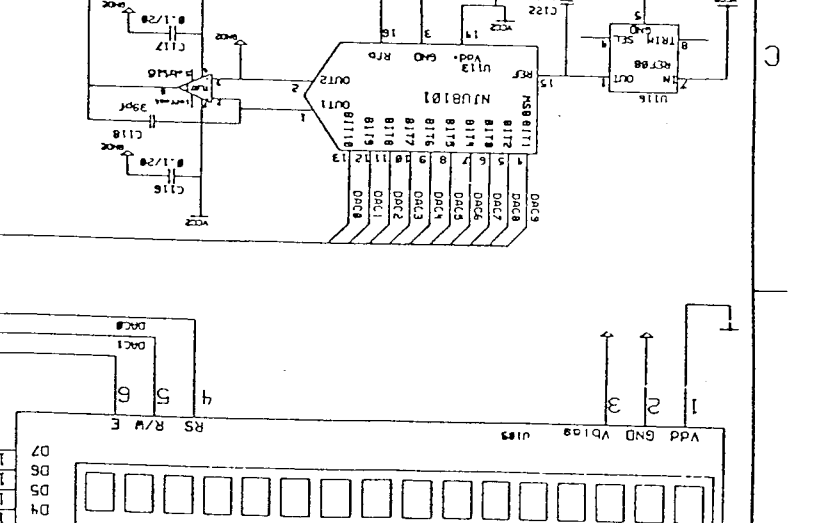
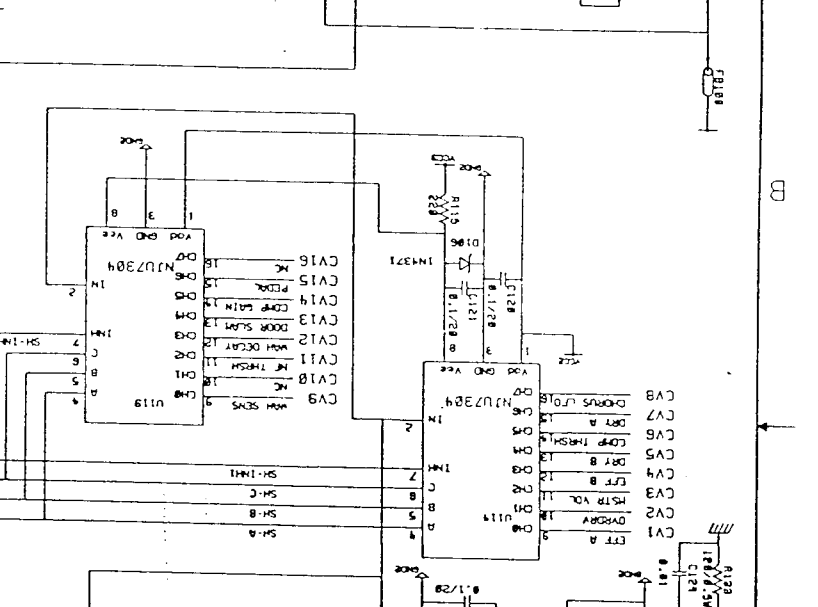
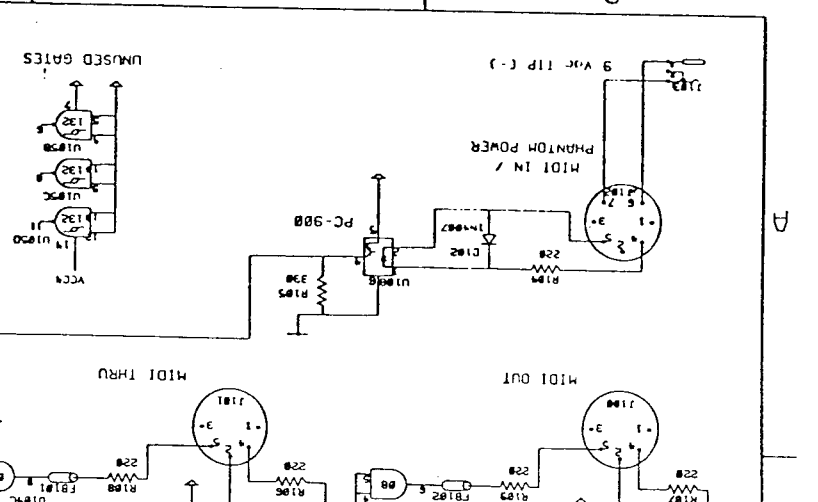
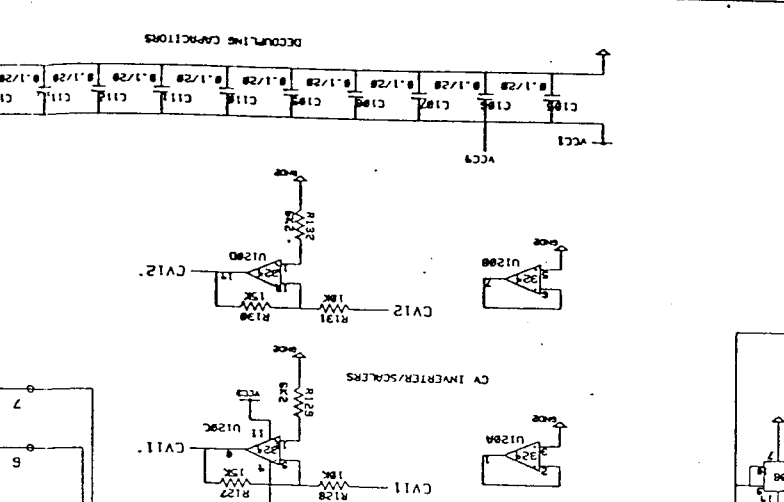
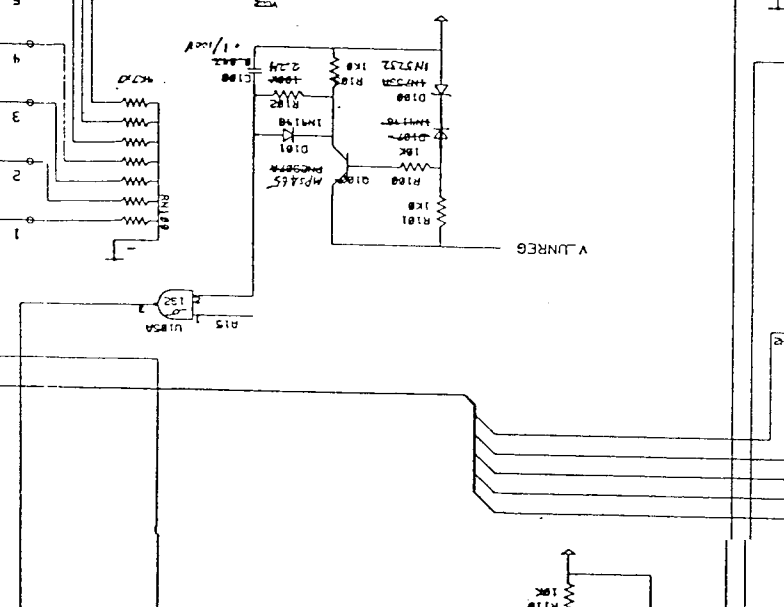
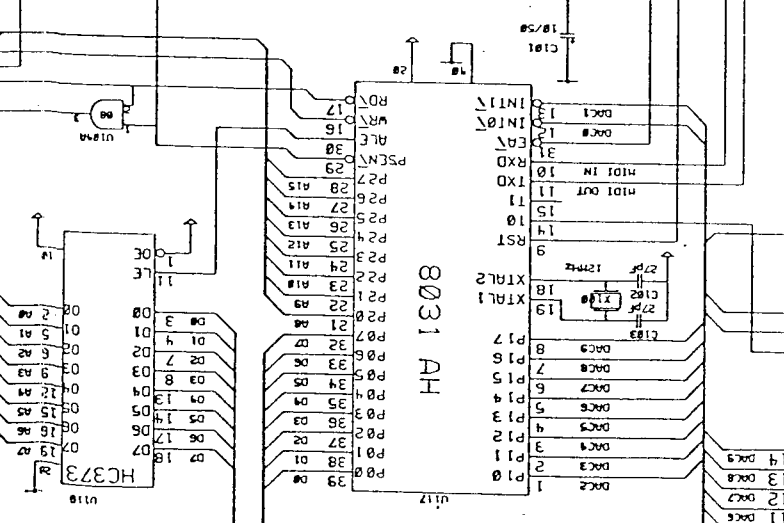
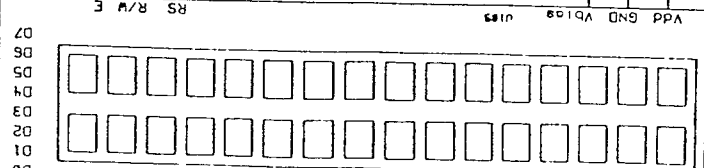


5 6 7 8

5 6 7 8

DV-1602-30 LIQUID CRYSTAL MODULE

8031 AH



DECLIPPING CAPACITORS

UNUSED GATES

PHANTOM POWER

PC-908

MIDI THRU

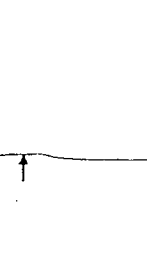
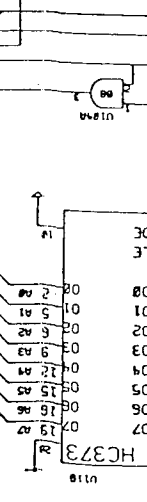
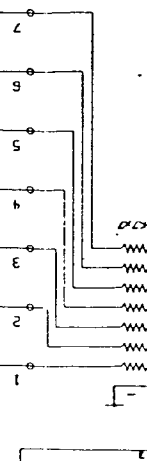
MIDI OUT

V_LINREG

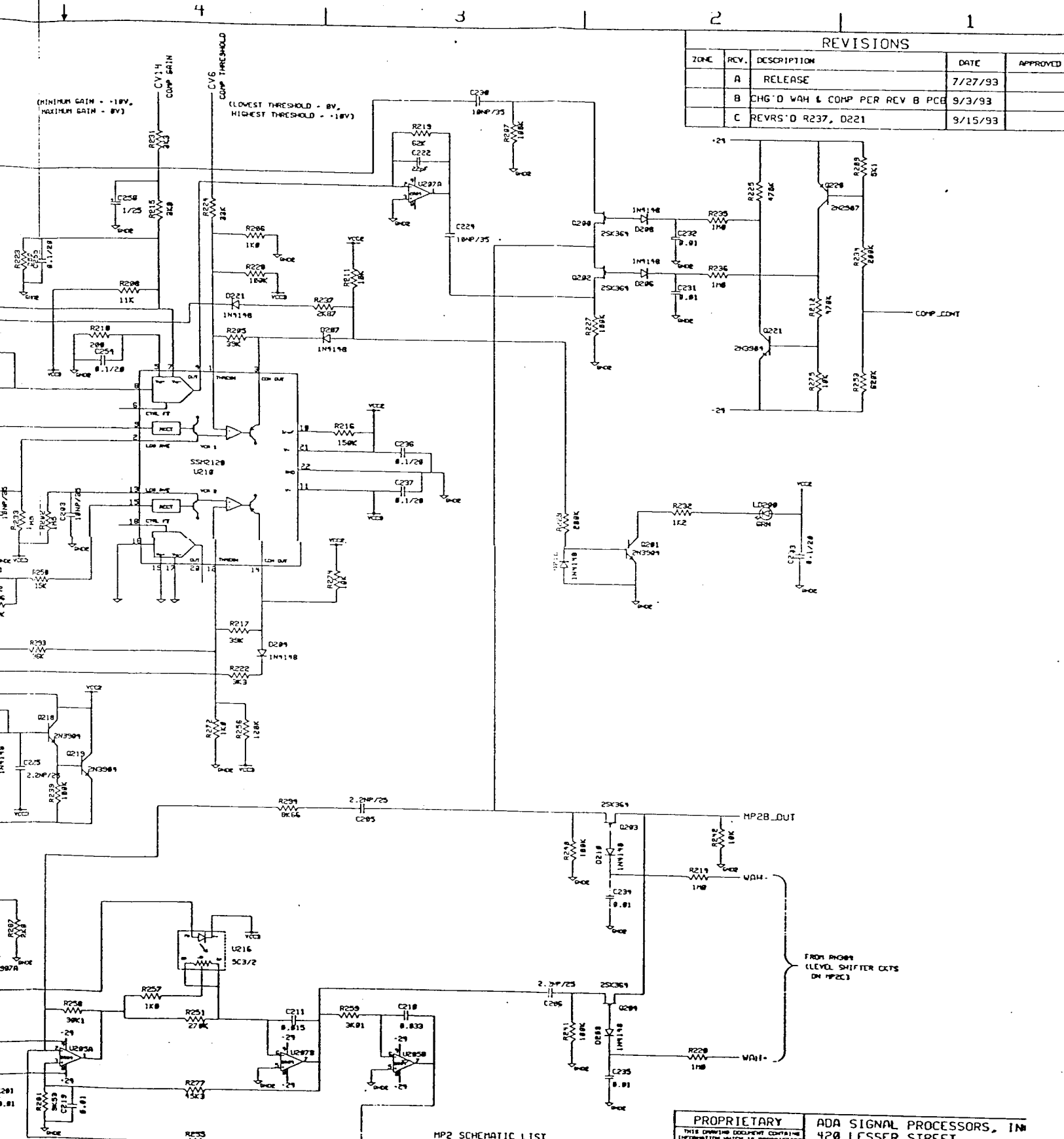
CV INVERTER/SCALERS

CV12

CV11



REVISIONS				
ZONE	REV.	DESCRIPTION	DATE	APPROVED
	A	RELEASE	7/27/93	
	B	CHG'D WAH & COMP PER REV B PCB	9/3/93	
	C	REVRS'D R237, D221	9/15/93	



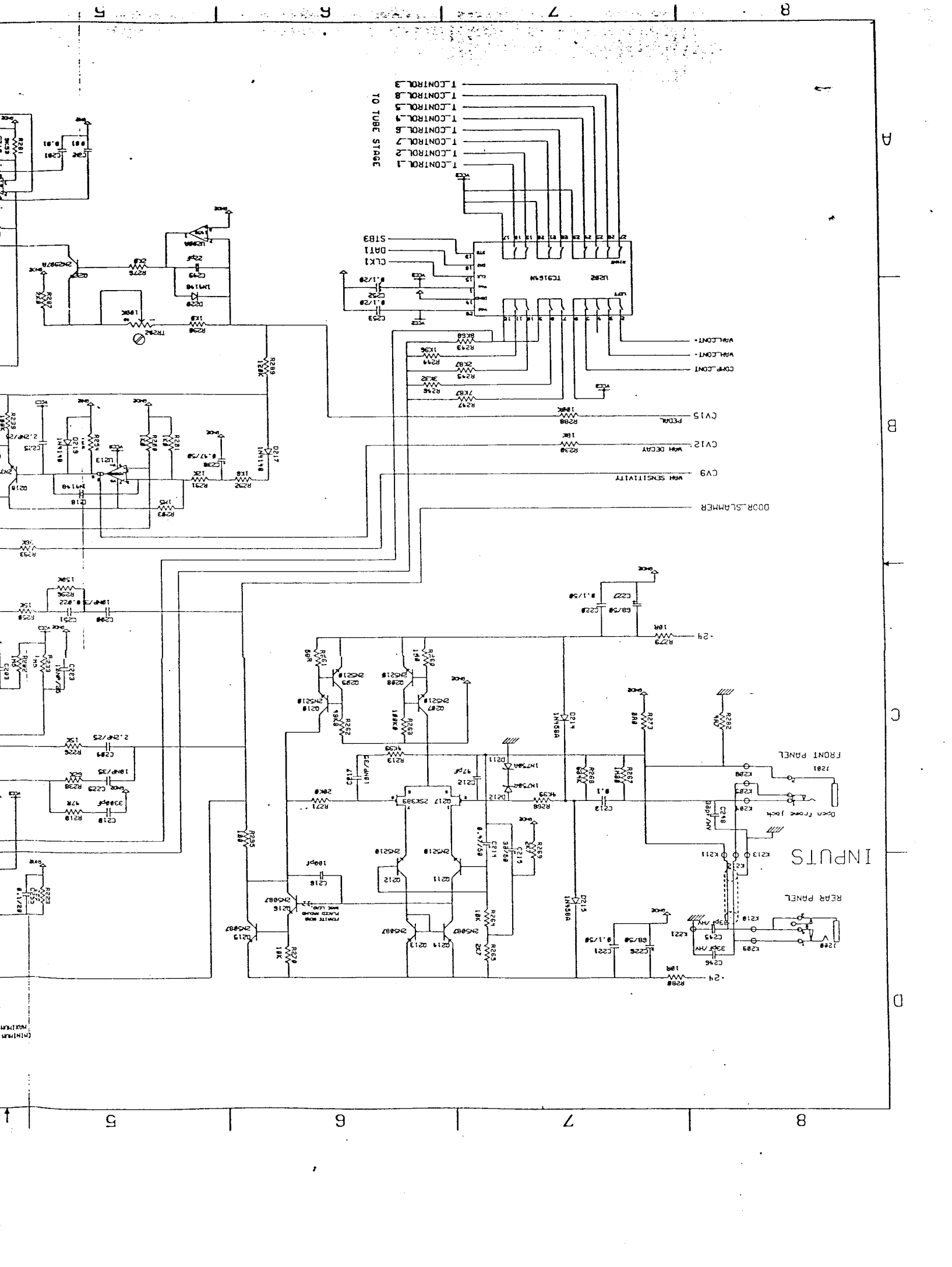
DWG	MP2 SCHEMATIC LIST TITLE	FILE
DB50	MICROPROCESSOR AND INTERFACE	MP2A
DB51	INPUT PREAMP, COMPRESSOR, WAH	MP2B
DB52	TUBE CKTS, MASTER VOLUME	MP2C
DB53	PASSIVE AND ACTIVE EQ	MP2D
DB54	CHORUS, EFFECTS LOOP, NOISE GATE	MP2E
DB55	OUTPUT MIXERS, DRYES AND CONTROLS	MP2F
DB56	LED METER AND POWER SUPPLY	MP2G

PROPRIETARY
 THIS DRAWING DOCUMENT CONTAINS INFORMATION WHICH IS PROPRIETARY TO AND IS THE PROPERTY OF ADA SIGNAL PROCESSORS, INC. AND MAY NOT BE USED, REPRODUCED OR DISCLOSED IN ANY MANNER WITHOUT THE EXPRESS WRITTEN CONSENT OF ADA SIGNAL PROCESSORS, INC.

ADA SIGNAL PROCESSORS, INC.
 420 LESSER STREET
 OAKLAND, CA 94601

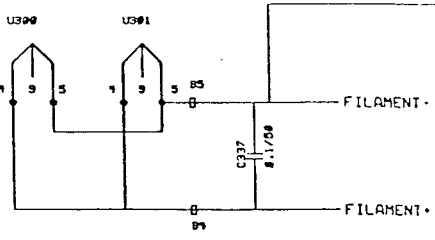
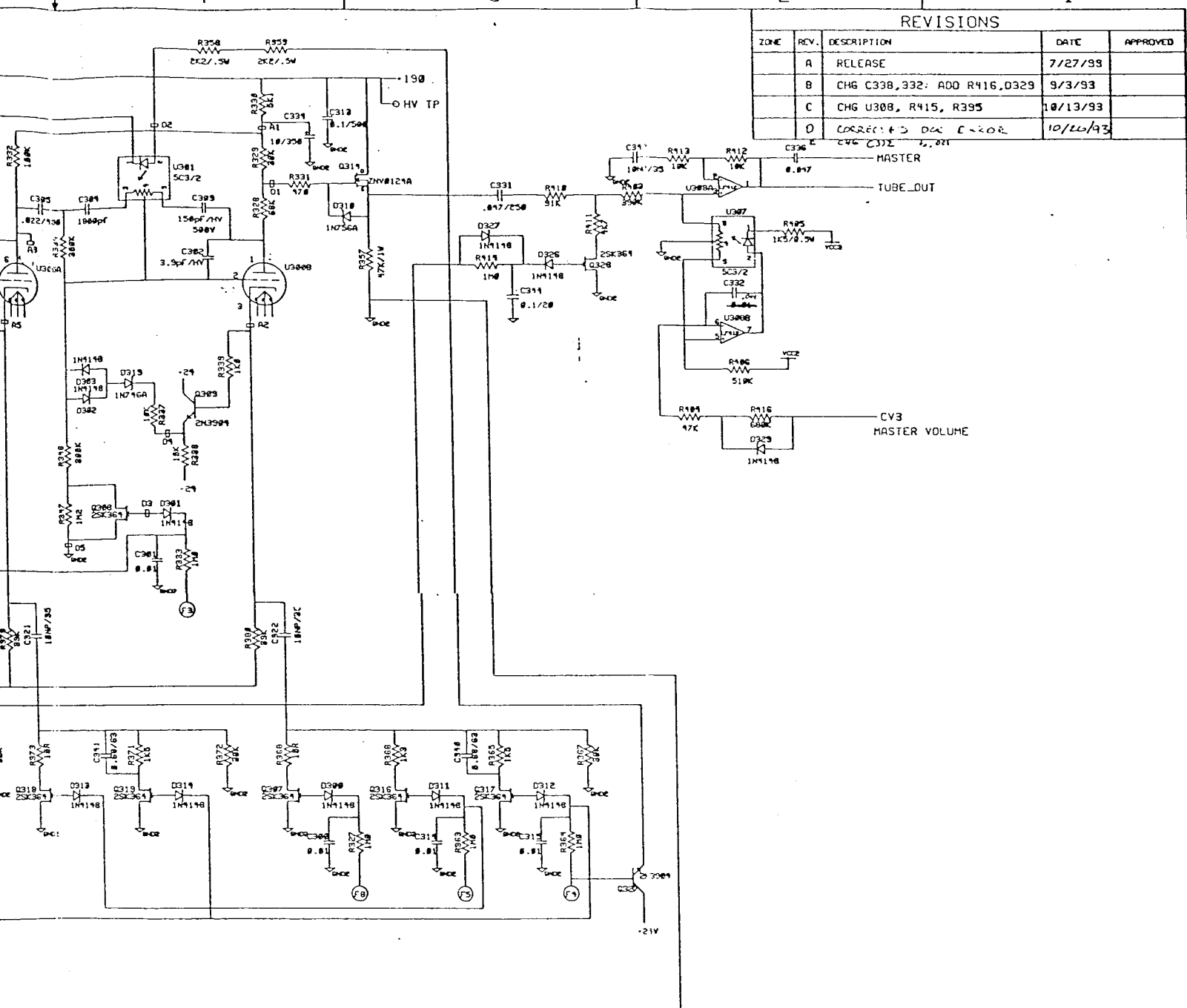
MP-2 SCHEMATIC: INPUT STAGE, COMPRESSOR, WAH FILTER

DRAWN: CHB SIZE: D DRAWING NUMBER: 851
 CHECKED BY: DATE: SEP-93 SHEET: 1



REVISIONS

ZONE	REV.	DESCRIPTION	DATE	APPROVED
	A	RELEASE	7/27/93	
	B	CHG C338, 332: ADD R416, D329	9/3/93	
	C	CHG U308, R415, R395	10/13/93	
	D	CORRECTS DRAW ERROR C46 C332 1, 2, 211	10/20/93	

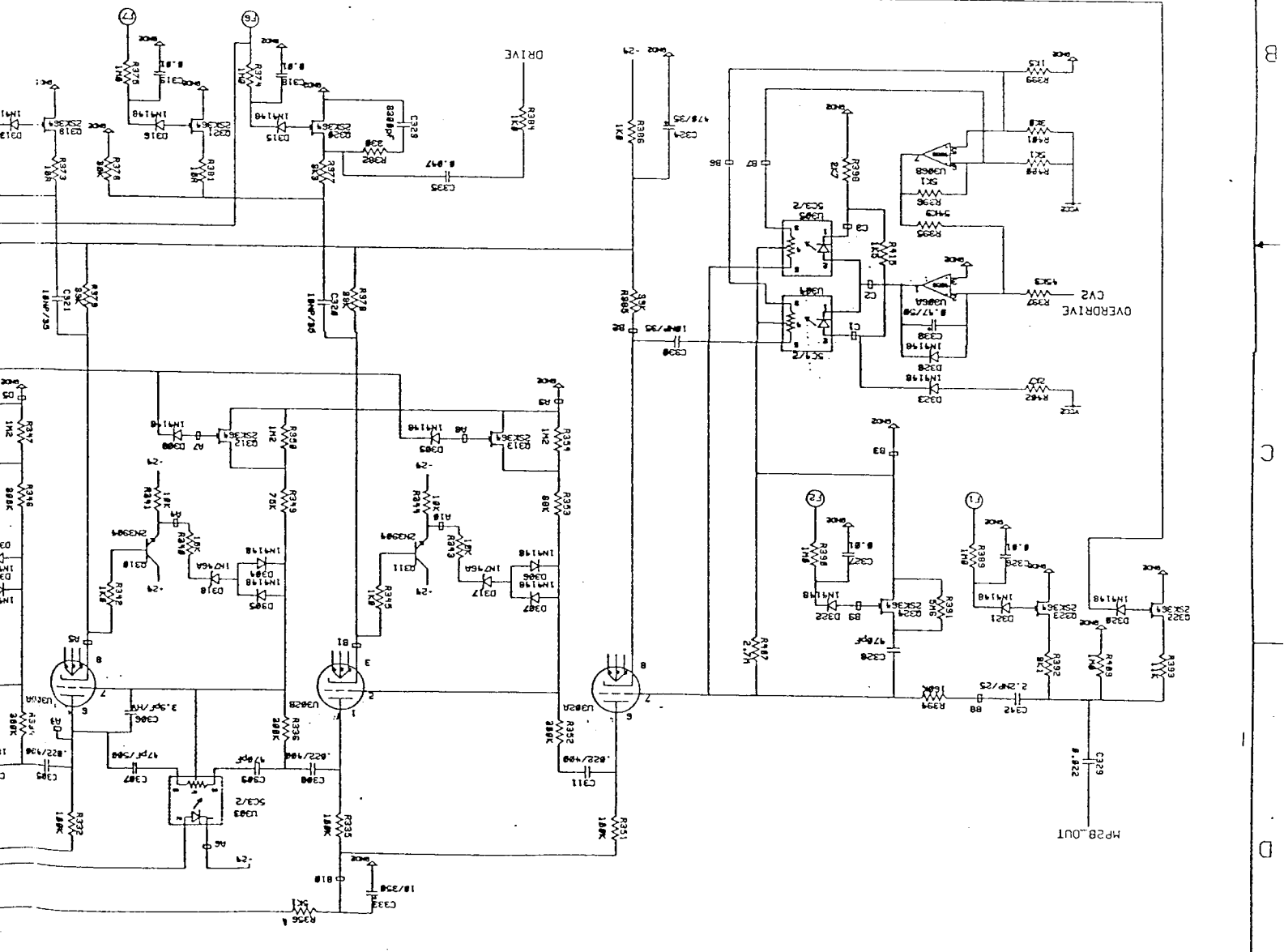
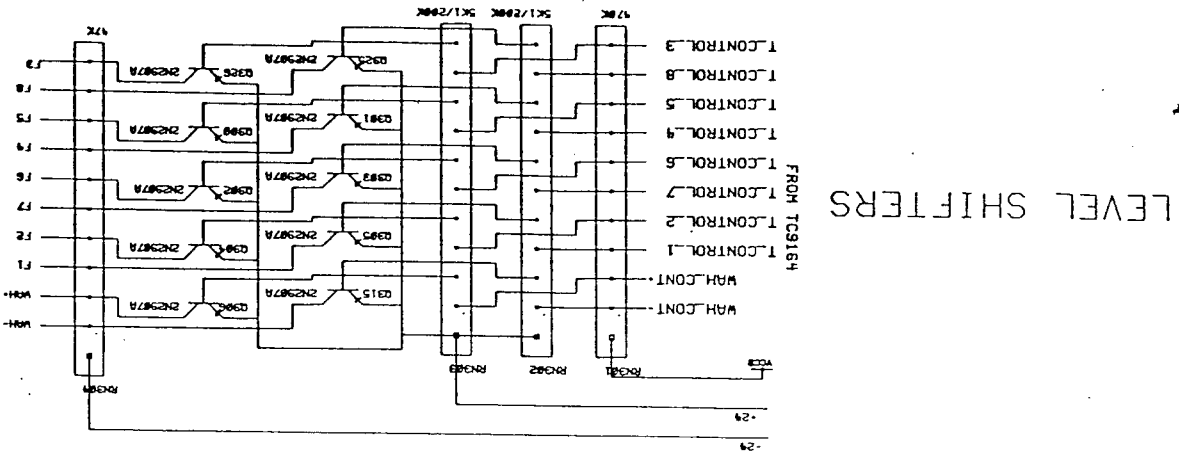


FILAMENT CIRCUIT

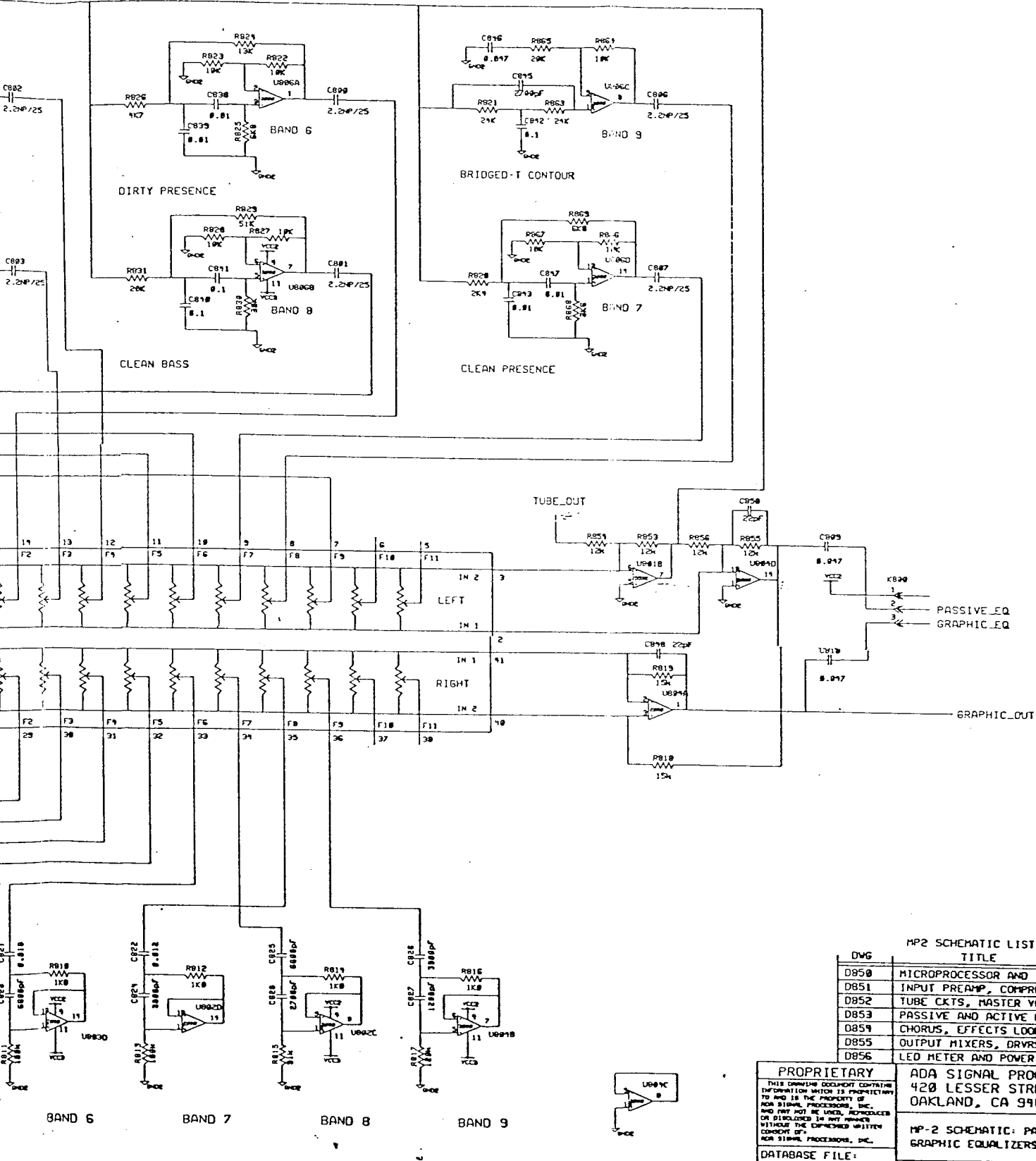
MP2 SCHEMATIC LIST

DWG	TITLE	FILE
D850	MICROPROCESSOR AND INTERFACE	MP2A
D851	INPUT PREAMP, COMPRESSOR, WAH	MP2B
D852	TUBE CKTS, MASTER VOLUME	MP2C
D853	PASSIVE AND ACTIVE EQ	MP2D
D854	CHORUS, EFFECTS LOOP, NOISE GATE	MP2E
D855	OUTPUT MIXERS, DRVRS AND CONTROLS	MP2F
D856	LED METER AND POWER SUPPLY	MP2G

PROPRIETARY <small>THIS DRAWING DOCUMENT CONTAINS INFORMATION WHICH IS PROPRIETARY TO AND IS THE PROPERTY OF ADA SIGNAL PROCESSORS, INC. AND MAY NOT BE USED, REPRODUCED OR DISCLOSED IN ANY MANNER WITHOUT THE EXPRESS WRITTEN CONSENT OF ADA SIGNAL PROCESSORS, INC.</small>		ADA SIGNAL PROCESSORS, INC. 420 LESSER STREET OAKLAND, CA 94601	
DATABASE FILE: MP2C.DBF		MP-2 SCHEMATIC: TUBE STAGES, MASTER VOLUME	
DRAWN: EMB ENGR: RTS/DJT	SIZE D	DRAWING NUMBER 852	
CHECKED BY:		SCALE:	DATE: 26-OCT-93 SHEET 1



REVISIONS				
ZONE	REV.	DESCRIPTION	DATE	APPRO
	A	RELEASE	7/27/93	
	B	ADDED C850, CORRCTD U805, U806	9/15/93	



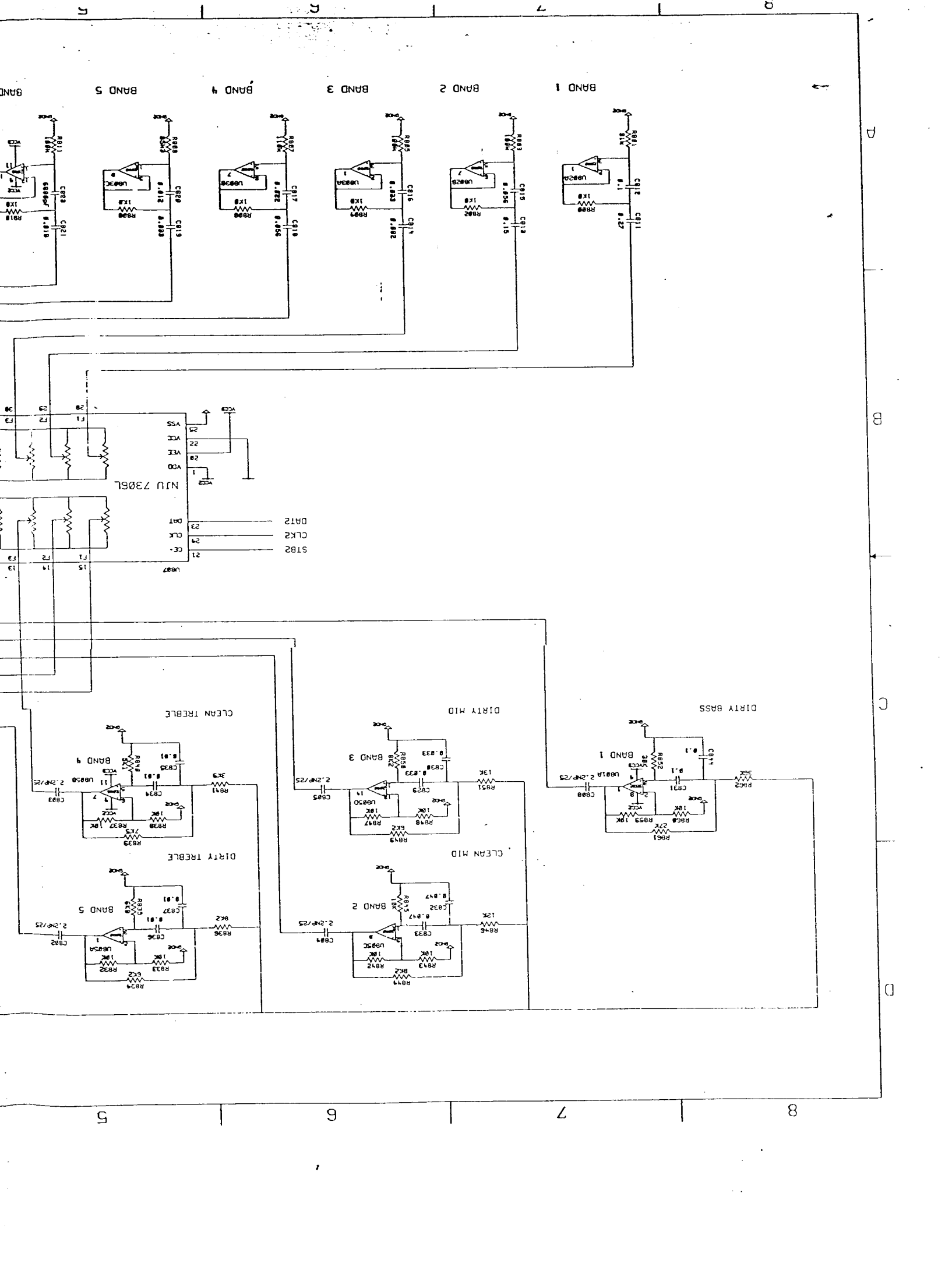
MP2 SCHEMATIC LIST

DWG	TITLE	FP
D850	MICROPROCESSOR AND INTERFACE	MP
D851	INPUT PREAMP, COMPRESSOR, WAH	MP
D852	TUBE CKTS, MASTER VOLUME	MP
D853	PASSIVE AND ACTIVE EQ	MP
D854	CHORUS, EFFECTS LOOP, NOISE GATE	MP
D855	OUTPUT MIXERS, DRVRS AND CONTROLS	MP
D856	LED METER AND POWER SUPPLY	MP

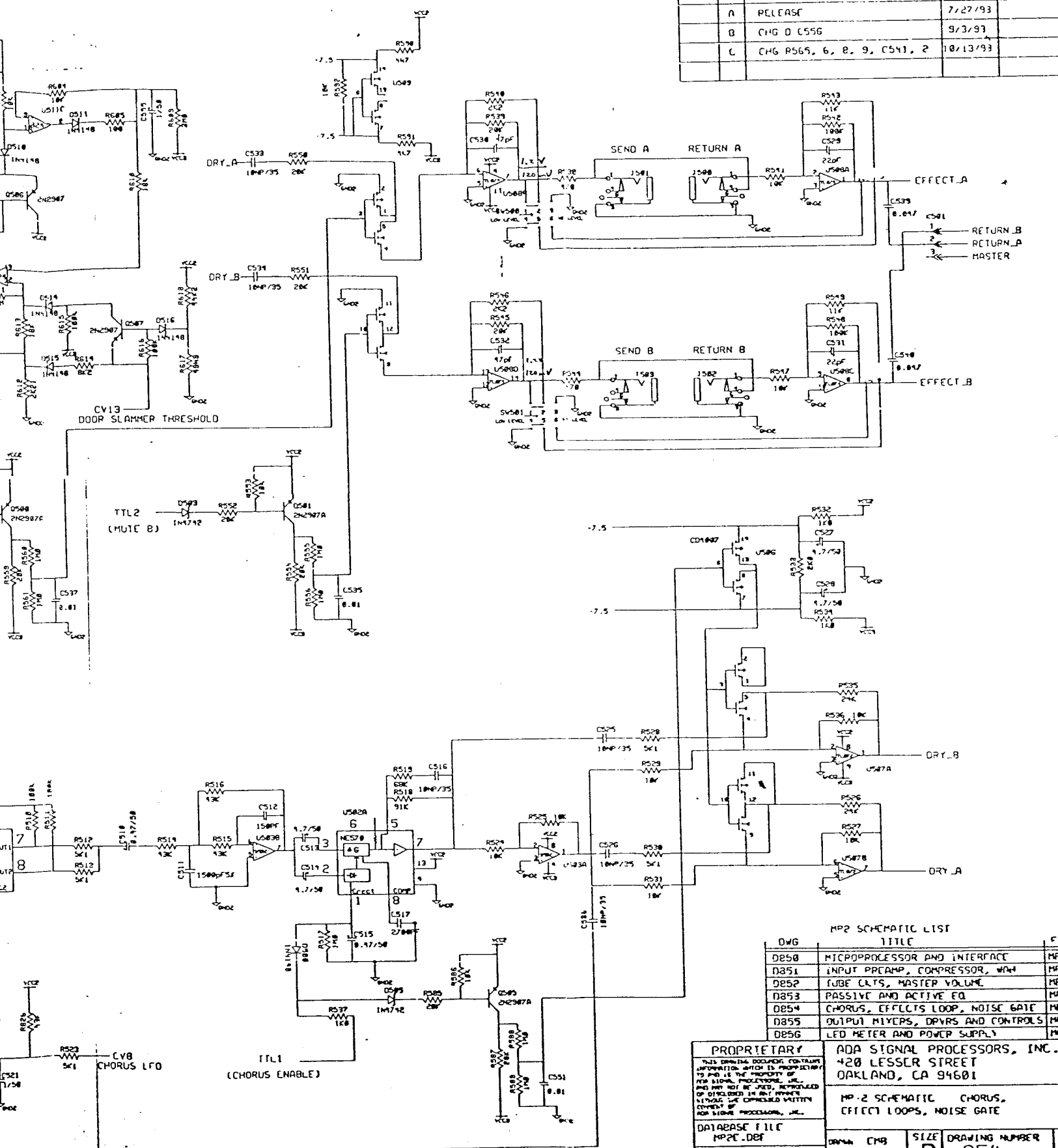
PROPRIETARY
 THIS DRAWING DOCUMENT CONTAINS INFORMATION WHICH IS PROPRIETARY TO AND IS THE PROPERTY OF ADA SIGNAL PROCESSORS, INC. AND MAY NOT BE LOANED, REPRODUCED OR DISCLOSED IN ANY MANNER WITHOUT THE EXPRESS WRITTEN CONSENT OF ADA SIGNAL PROCESSORS, INC.

ADA SIGNAL PROCESSORS, INC.
 420 LESSER STREET
 OAKLAND, CA 94601

DATABASE FILE: MP20.DBF	DRAWN: DJB	SIZE: D	DRAWING NUMBER: 853
CHECKED BY:	ENGR: DJT		



REVISIONS				
ZONE	REV.	DESCRIPTION	DATE	APPROVED
	A	RELEASE	7/27/93	
	B	CHG D C556	9/3/93	
	C	CHG R565, 6, 8, 9, C541, 2	10/13/93	

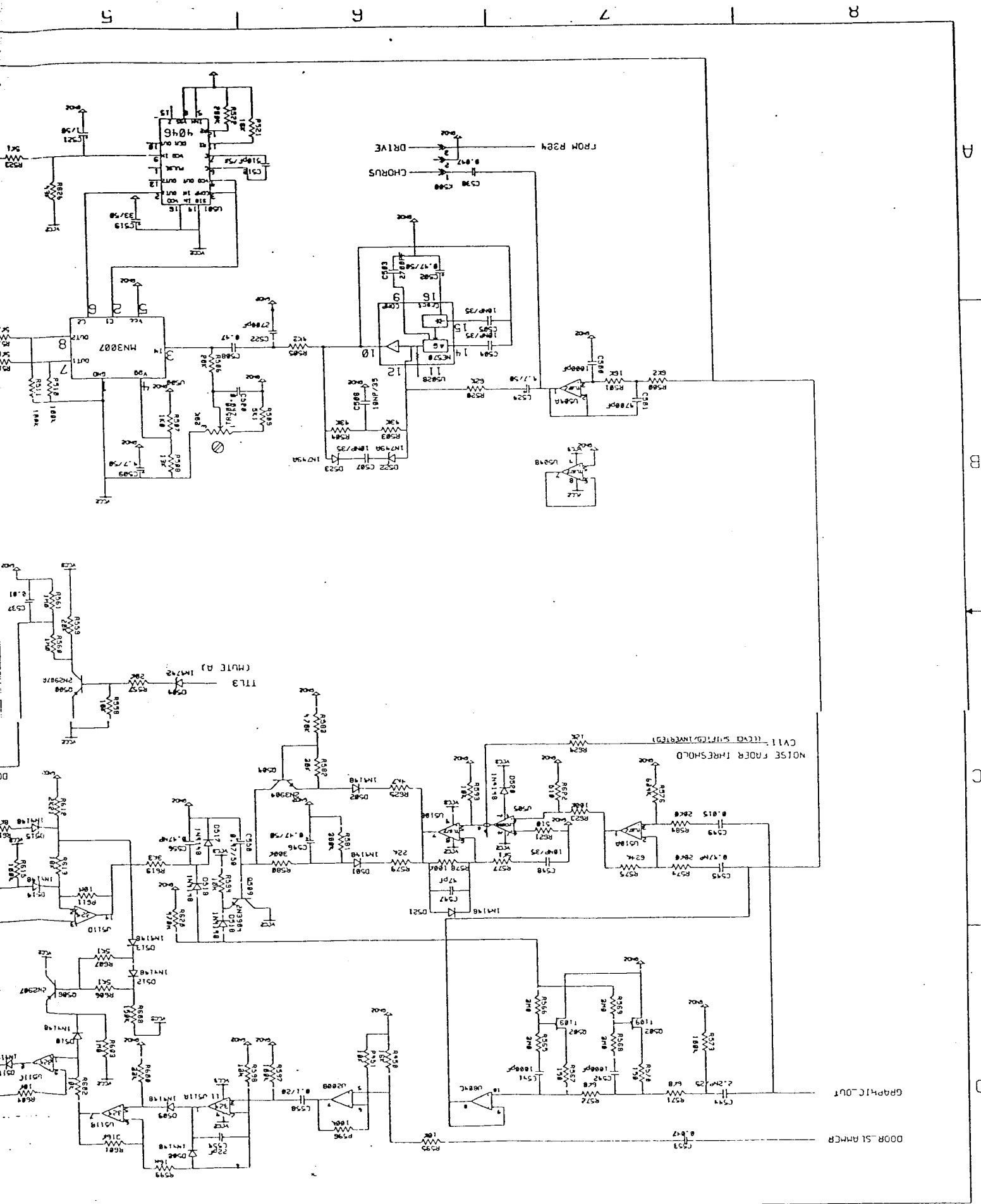


DWG	TITLE	FILE
D850	MICROPROCESSOR AND INTERFACE	MP2
D851	INPUT PREAMP, COMPRESSOR, WDR	MP2
D852	TUBE CLTS, MASTER VOLUME	MP2
D853	PASSIVE AND ACTIVE EQ	MP2
D854	CHORUS, EFFECTS LOOP, NOISE GATE	MP2
D855	OUTPUT MIXERS, DRYS AND CONTROLS	MP2
D856	LED METER AND POWER SUPPLY	MP2

PROPRIETARY
 THIS DRAWING DOCUMENT CONTAINS INFORMATION WHICH IS PROPRIETARY TO AND IS THE PROPERTY OF ADA SIGNAL PROCESSORS, INC. AND MAY NOT BE USED, REPRODUCED OR DISCLOSED IN ANY MANNER WITHOUT THE EXPRESS WRITTEN CONSENT OF ADA SIGNAL PROCESSORS, INC.

ADA SIGNAL PROCESSORS, INC.
 420 LESSER STREET
 OAKLAND, CA 94601

MP-2 SCHEMATIC LIST	MP-2 SCHEMATIC CHORUS, EFFECT LOOPS, NOISE GATE
DATABASE FILE	MP2C.DBF
CHECKED BY	SCALE
APPROVED	DATE: 13-OCT-93 SHEET 1 OF 1



DOOR SLAMMER
0.817
C53

GRAPHIC OUT

NOISE FLOOR THRESHOLD
CV11 (TEVEI SUFFLEJINRRTD)

WHITE NOISE
TL13 (WHITE NOISE)

FROM R24
DRIVE
CHORUS
C30 C38

5

6

7

8

A

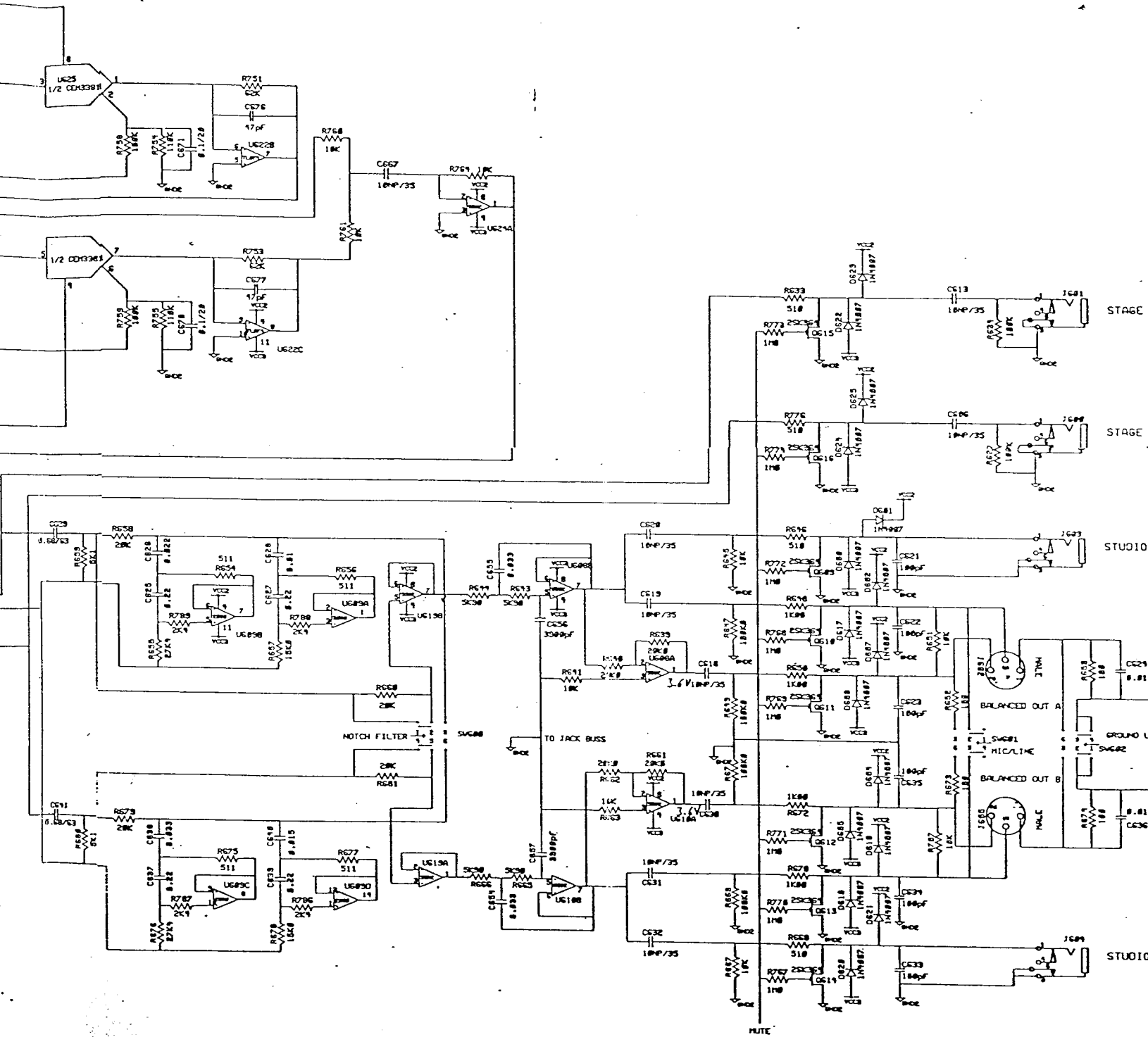
B

C

D

REVISIONS

ZONE	REV.	DESCRIPTION	DATE	AP
	A	RELEASE	7/27/93	



MP2 SCHEMATIC LIST

DWG	TITLE	FILE
D850	MICROPROCESSOR AND INTERFACE	MP2A
D851	INPUT PREAMP, COMPRESSOR, WAH	MP2B
D852	TUBE CKTS, MASTER VOLUME	MP2C
D853	PASSIVE AND ACTIVE EQ	MP2D
D854	CHORUS, EFFECTS LOOP, NOISE GATE	MP2E
D855	OUTPUT MIXERS, DRVS AND CONTROLS	MP2F
D856	LED METER AND POWER SUPPLY	MP2G

PROPRIETARY
 THIS DRAWING CONTAINS PROPRIETARY INFORMATION WHICH IS THE PROPERTY OF ADA SIGNAL PROCESSORS, INC. AND MAY NOT BE USED, REPRODUCED OR DISCLOSED IN ANY MANNER WITHOUT THE EXPRESS WRITTEN CONSENT OF ADA SIGNAL PROCESSORS, INC.

DATABASE FILE:
 MP2F.DBF

CHECKED BY: _____
 APPROVED: _____

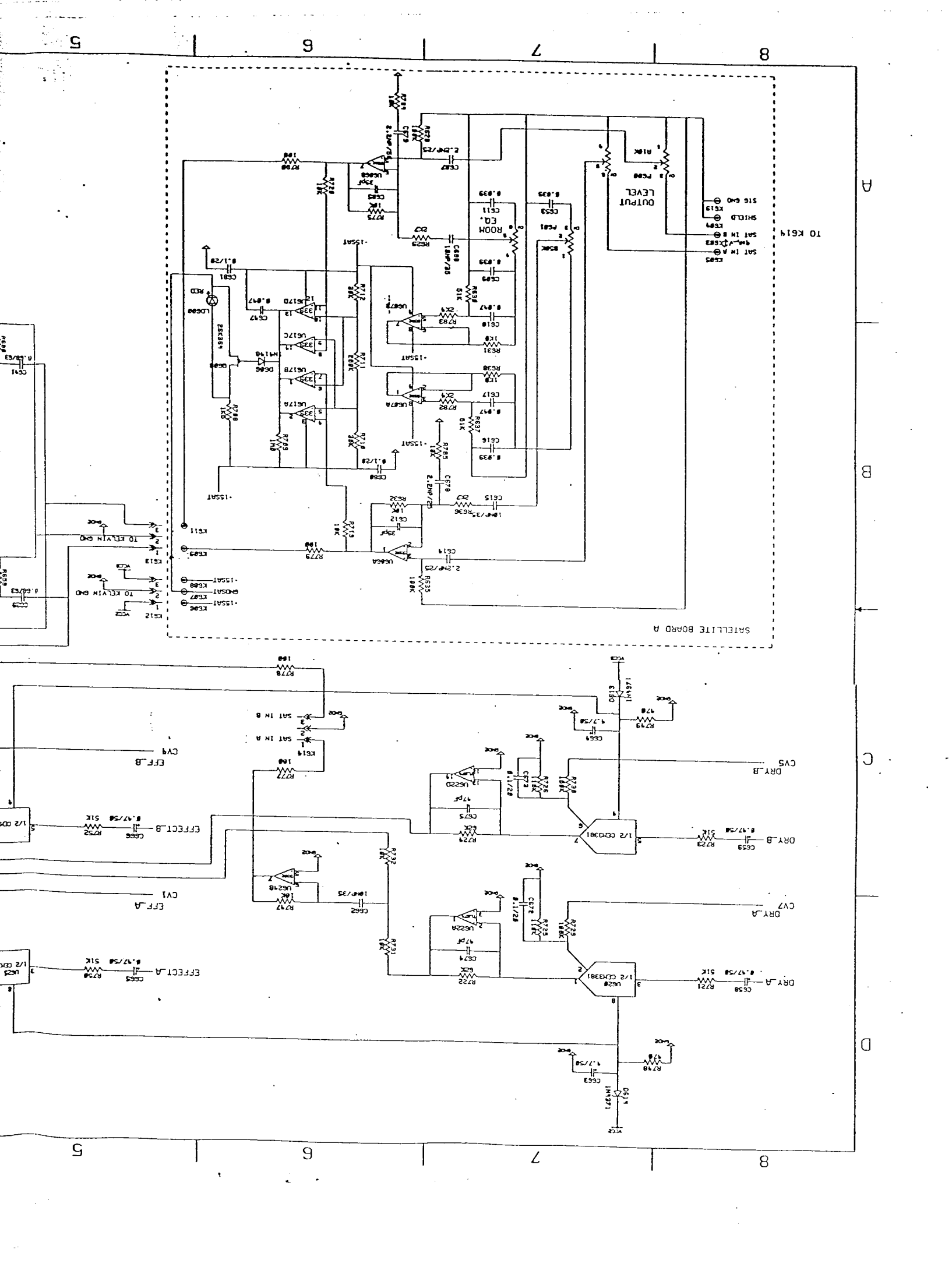
ADA SIGNAL PROCESSORS, INC.
 420 LESSER STREET
 OAKLAND, CA 94601

MP-2 SCHEMATIC: OUTPUT MIXER, SPEAKER SIMULATOR, OUTPUT DRIVE STAGE CONTROLS

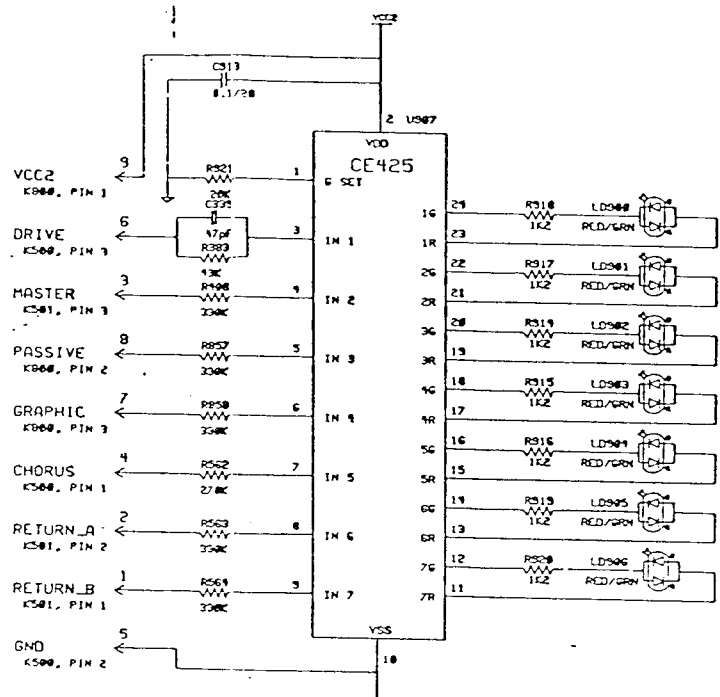
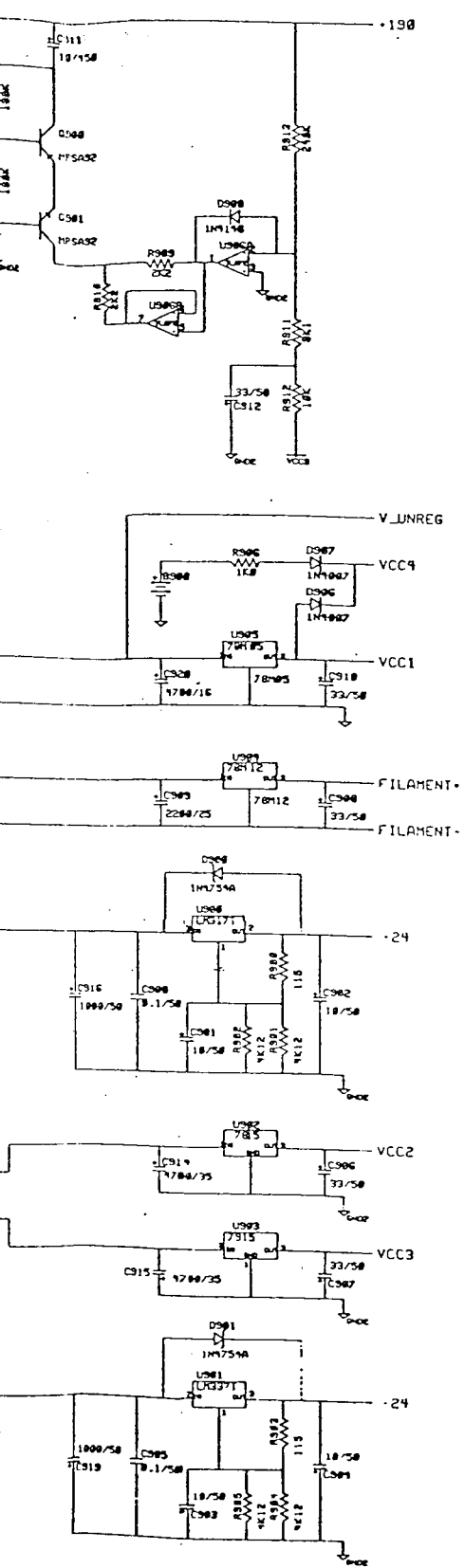
DRAWN: EMB
 DATE: 93-JUL-3

SIZE: D
 DRAWING NUMBER: 855

SCALE: _____
 DATE: 93-JUL-3 SHEET: _____

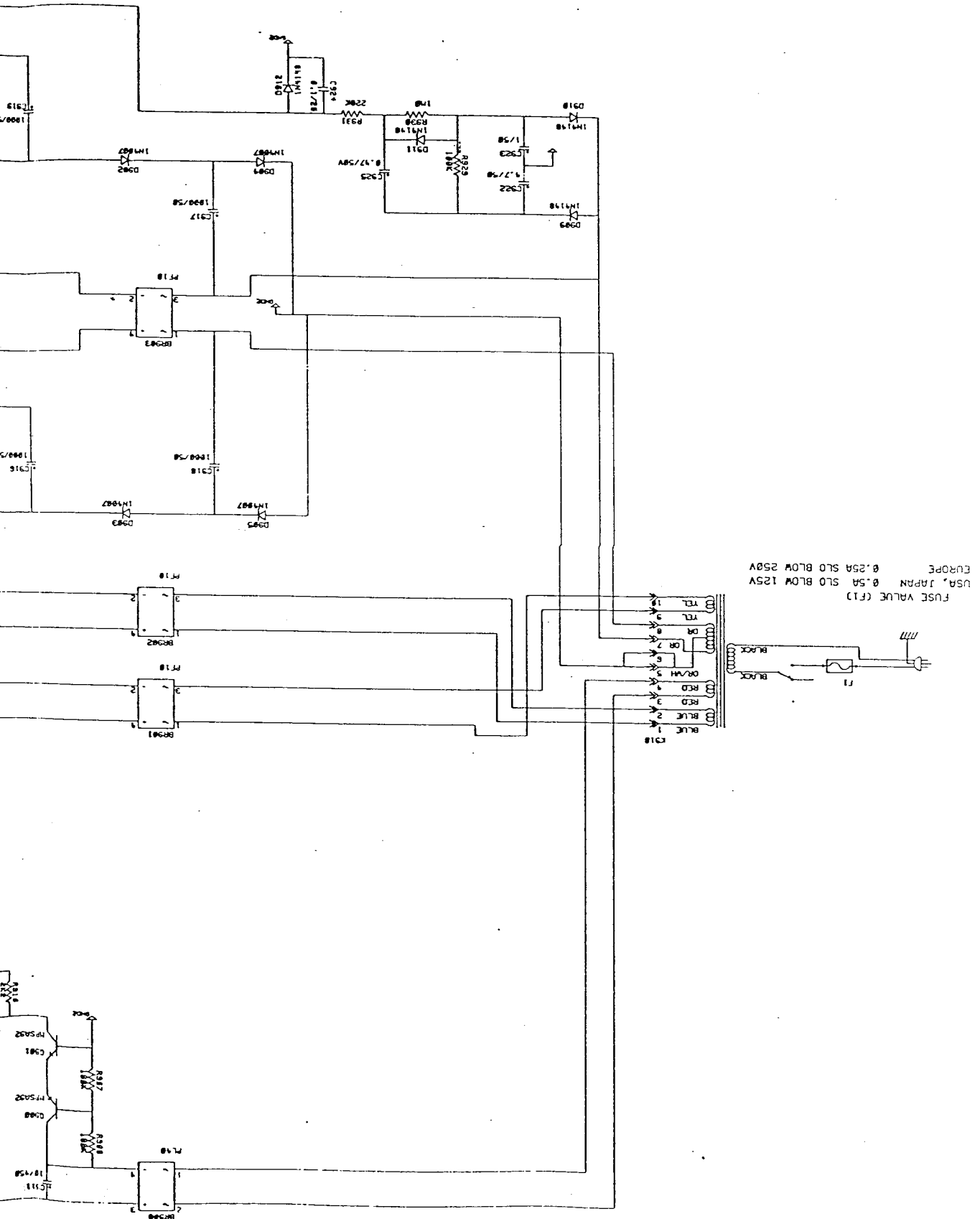


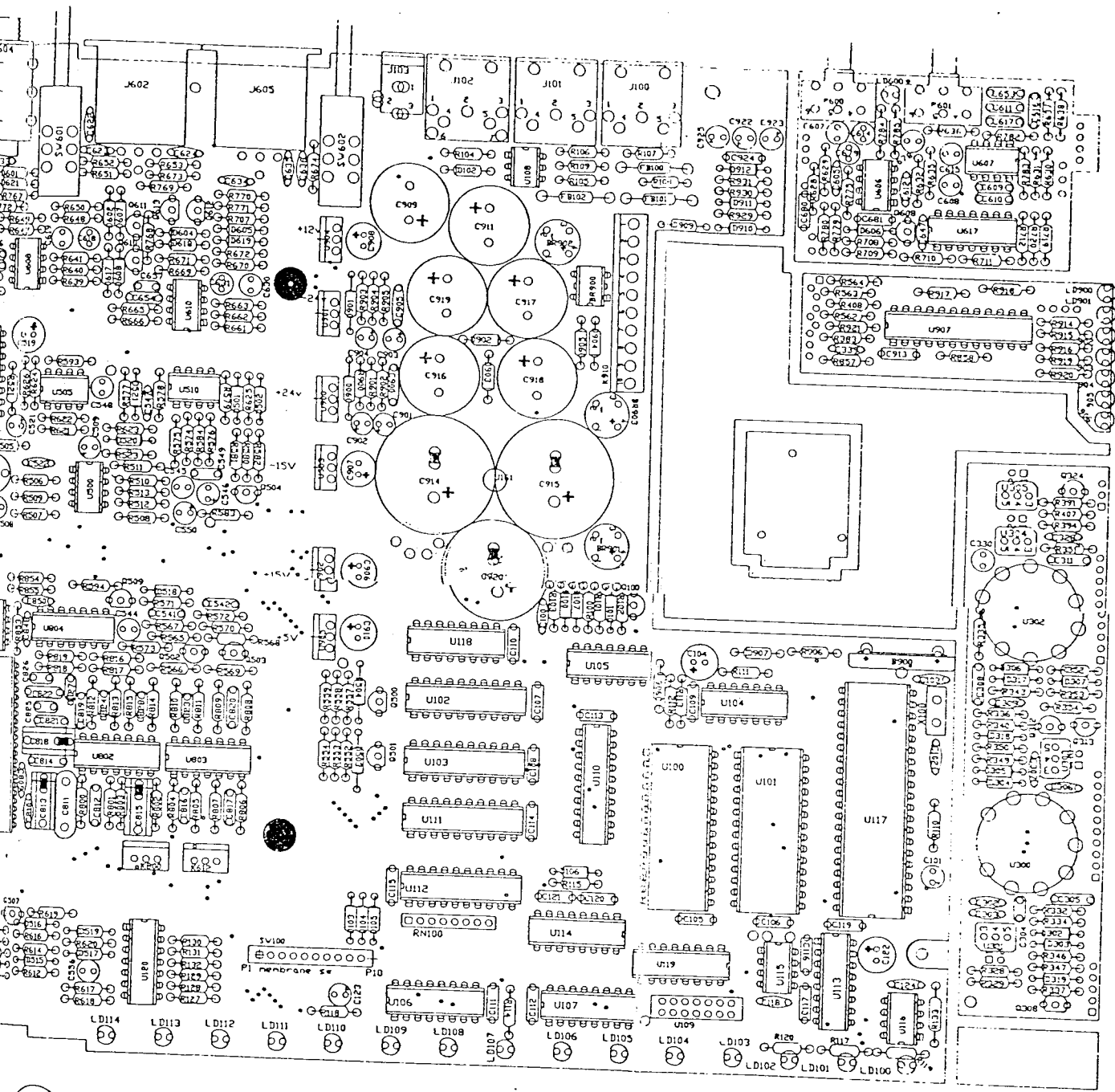
REVISIONS				
ZONE	REV.	DESCRIPTION	DATE	APPROV.
	A	RELEASE	7/27/93	
	B	CHG'D R562, U906	9/3/93	



DWG	TITLE	FILE
0850	MICROPROCESSOR AND INTERFACE	MP2A
0851	INPUT PREAMP, COMPRESSOR, WAH	MP2B
0852	TUBE CKTS, MASTER VOLUME	MP2C
0853	PASSIVE AND ACTIVE EQ	MP2D
0854	CHORUS, EFFECTS LOOP, NOISE GATE	MP2E
0855	OUTPUT MIXERS, DRYS AND CONTROLS	MP2F
0856	LED METER AND POWER SUPPLY	MP2G

PROPRIETARY THIS DRAWING DOCUMENT CONTAINS INFORMATION WHICH IS PROPRIETARY TO AND IS THE PROPERTY OF ADA SIGNAL PROCESSORS, INC. AND MAY NOT BE USED, REPRODUCED OR DISCLOSED IN ANY MANNER WITHOUT THE EXPRESSED WRITTEN CONSENT OF ADA SIGNAL PROCESSORS, INC.	ADA SIGNAL PROCESSORS, INC. 420 LESSER STREET OAKLAND, CA 94601	
	MP-2 SCHEMATIC: LED METER AND POWER SUPPLY	
DRAWN BY: ENB CHECKED BY: RTS/DJT APPROVED:	SIZE: D DRAWING NUMBER: 856	DATE: 10-SEP-93 SHEET 1 OF 1





MP-2 LOADING CHART
 D841 REV C
 9/29/93 MP22PCB9 SCALE 1:1.45

