

**BELANGRIJK:**  
houd deze schema's bij het orgel! !  
**IMPORTANT:**  
keep the schematic diagrams with the organ! !  
**WICHTIG:**  
Schaltpläne bei Orgel aufbewahren! !

# SERVICE INFORMATION

0579

# solina

## STRING ENSEMBLE



www.oldschool-sound.com

Lovely Scanned for you by XAV@oldschool-sound.com

Free manuals for Free Vintage addicts! Creative use only

\* Printed circuit Part number

\$\$\$ Not For Resale \$\$\$  
(: Le bizness de ressources est un sport de ptizis :)

INHOUD – CONTENTS – INHALT	Part No. *	Sheet No.
Gate circuit	021.0001	015.0260
Bass circuit	003.3025	015.0260
Supplementary circuit	003.2182	015.0260
Register circuit	003.3016	015.0260
Divider circuit A	005.0183	
Divider circuit B	005.0184	
Master oscillator circuit	005.0188	
Schematic diagram		015.0260
Wiring diagram		015.0213
Signal flow diagram		015.0267
Control circuit	012.0025	
Modulator circuit B	012.0034	
Divider circuit C	005.0185	
Power supply	008.0066	

### TECHNISCHE GEGEVENS

Netfrequentie  
Netspanning\*

**Ingang (input):**  
Expressionpedal

**Output:**  
Low output I  
High output II

**Zekeringen:**  
net: 220 V\*  
18,5 V: 2x3,15 AT

### TECHNICAL DATA

Mains frequency  
Mains voltage\*

**Input connection:**  
Expressionpedal

**Output:**  
Low output I  
High output II

**Fuses:**  
mains: 220 V\*  
18,5 V: 2x3,15 A (slow)

### TECHNISCHE DATEN

Netzfrequenz  
Netzspannung\* 50/60 Hz  
220 V (115-240-250\*)

**Eingang (input):**  
Schwellpedal

**Ausgangsabnahme:**  
Low output I + 1,5 V tt - imp: 3 kOhm  
High output II + 5 V tt - imp: 5 kOhm

**Sicherungen:**  
Netz: 220 V\* thermal release in primary  
18,5 V: 2x3,15 A (träge) winding (micro STB 4239  
disconnect temp. 115 C)

\* 115 - 240 - 250 V.

\* Voor 115, 240 en 250 Volt netspanning; als volgt te werk gaan:

- verwijder kap van de transformator
- de draad op de 220 V aansluiting omzetten naar de gewenste netspanning

\* For 115,240 and 250 Volt operation:

- remove cover of transformer
- relocate mains voltage to appropriate voltage.

\*Für 115, 240 und 250 V Netzspannung wie folgt handeln:

- Die Kappe des Transformators entfernen
- Den Draht des 220 V Anschlusses in die gewünschte Netzspannung umsetzen.

Service dokumentatie:

Service information:

Kundendienst dokumentation:

(aanvragen bij servicedienst te Bodegraven)

inquire by your importer or MCH Holland)

(fragen Sie bei Ihrem Importeur oder MCH)

Service onderdelenlijst zie:

Service parts list see:

Service-Ersatzteilenliste siehe:

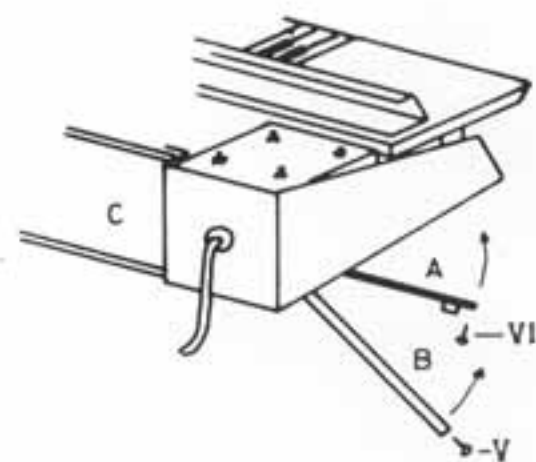
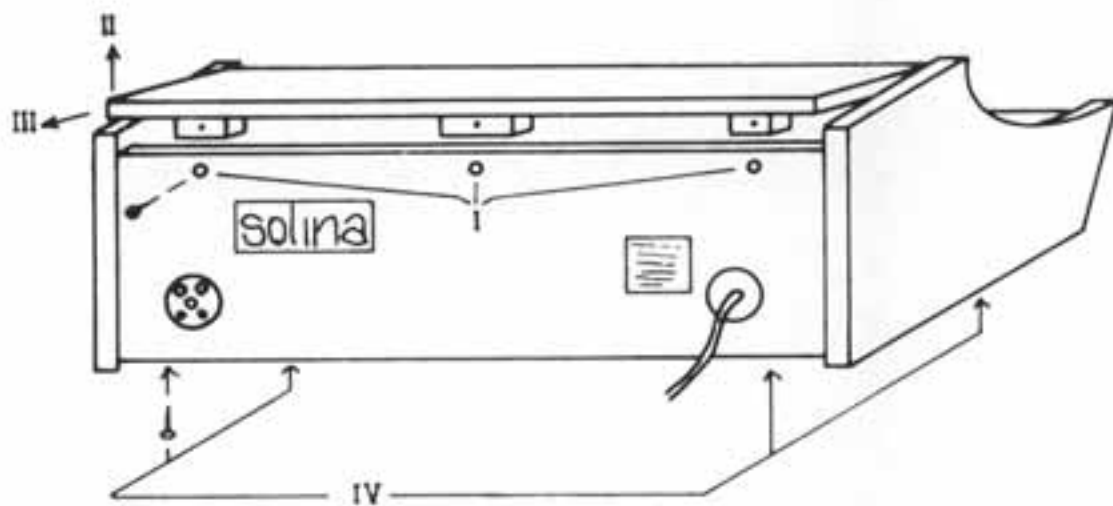


Wijzigingen voorbehouden

Alterations reserved

Anderungen vorbehalten

Changements reserver



### DEMONTAGE STRING-ENSEMBLE

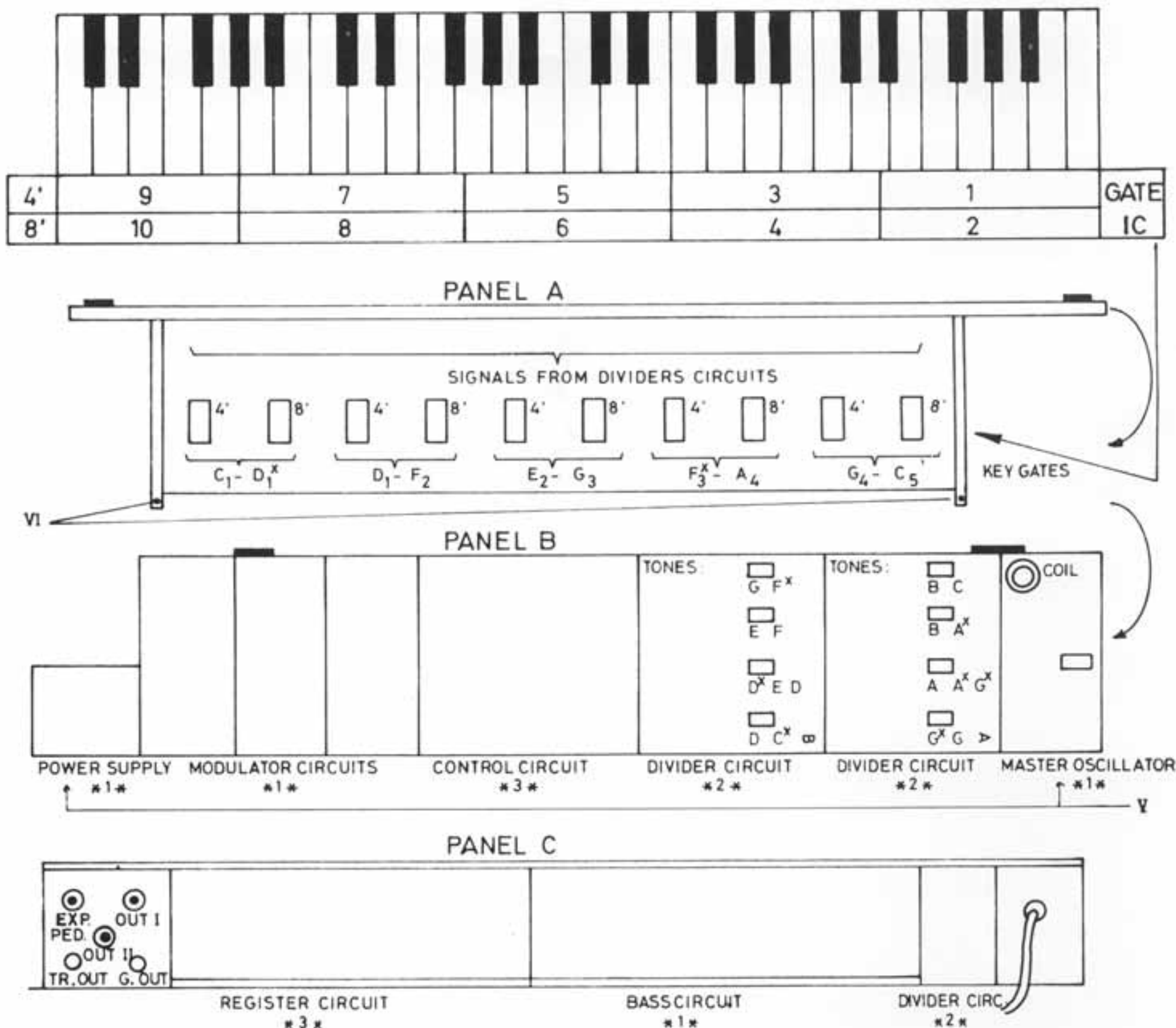
1. Verwijder schroeven I
2. Til bovenblad op, zie II
3. Schuif bovenblad weg, zie III
4. Verwijder schroeven IV
5. De konstruktie kan nu uit de kast worden getild.
6. De panelen A en B zijn klappbaar na verwijdering van schroeven VI en V

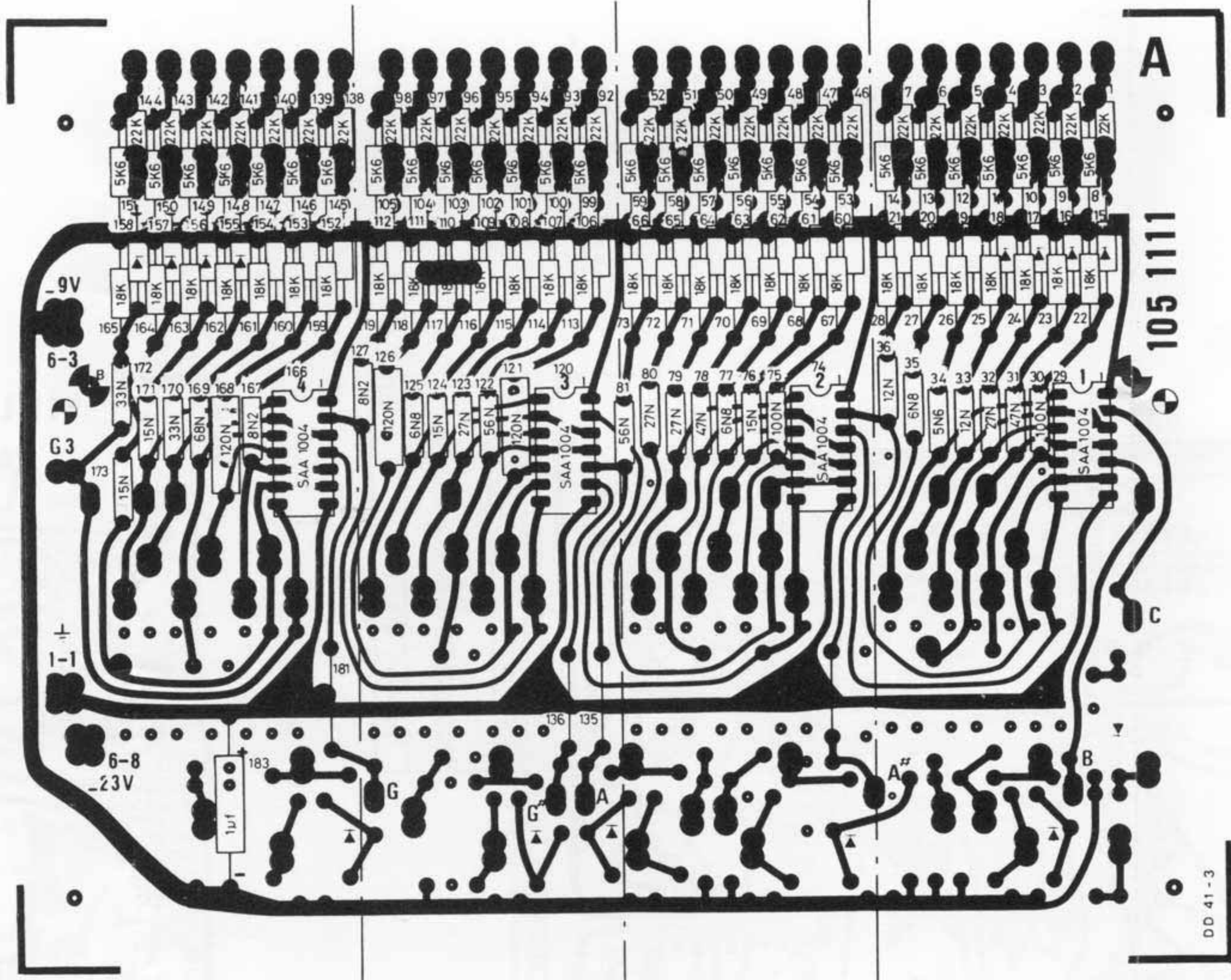
### DISASSEMBLY OF STRING-ENSEMBLE

1. Remove (3) screws I
2. Raise cover, see II
3. Push cover out of the way, see III
4. Remove (4) screws IV
5. Lift out unit from cabinet
6. Panels A and B will fold out of way after removing screws V and VI

### DEMONTAGE STRING-ENSEMBLE

1. Schroeven rausdrehen (siehe I)
2. Oberbrett anheben (siehe II)
3. Oberbrett wegschieben (siehe III)
4. Schroeven rausdrehen (siehe IV)
5. Die Konstruktion kann jetzt aus der Kiste gehoben werden.
6. Die Paneelen a und b sind klappbar, nachdem die Schroeven rausgedreht sind. (siehe V und VI).





COMPONENT NO	138 - 183	92 - 137	46 - 91	1 - 45
--------------	-----------	----------	---------	--------

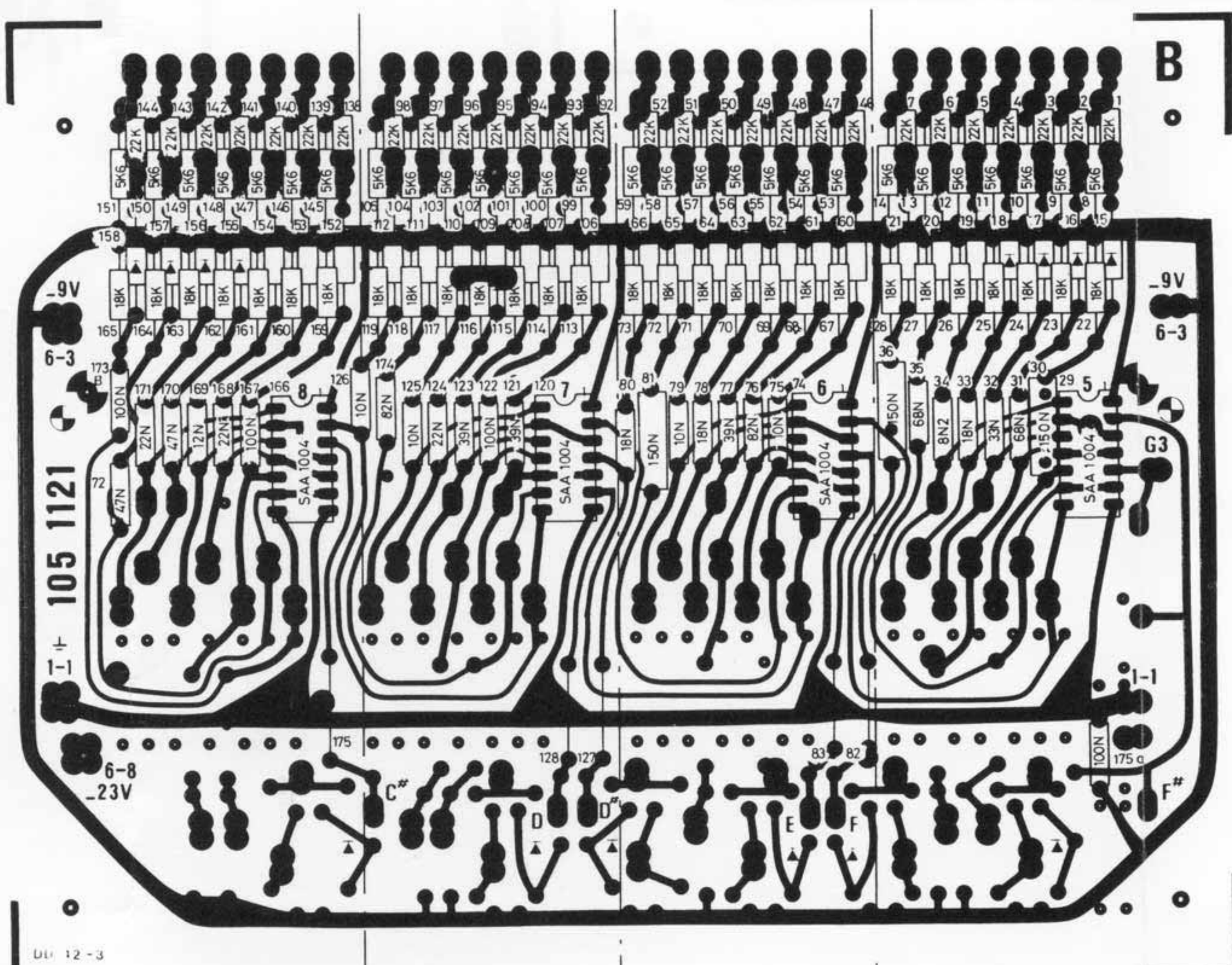
DIVIDER CIRCUIT A

PART. NO. 005 0183 1

MODEL	VANAF SERIE
STRING ENSEMBLE	106

**OLDSCHOOL-SOUND**  
www.oldschool-sound.com

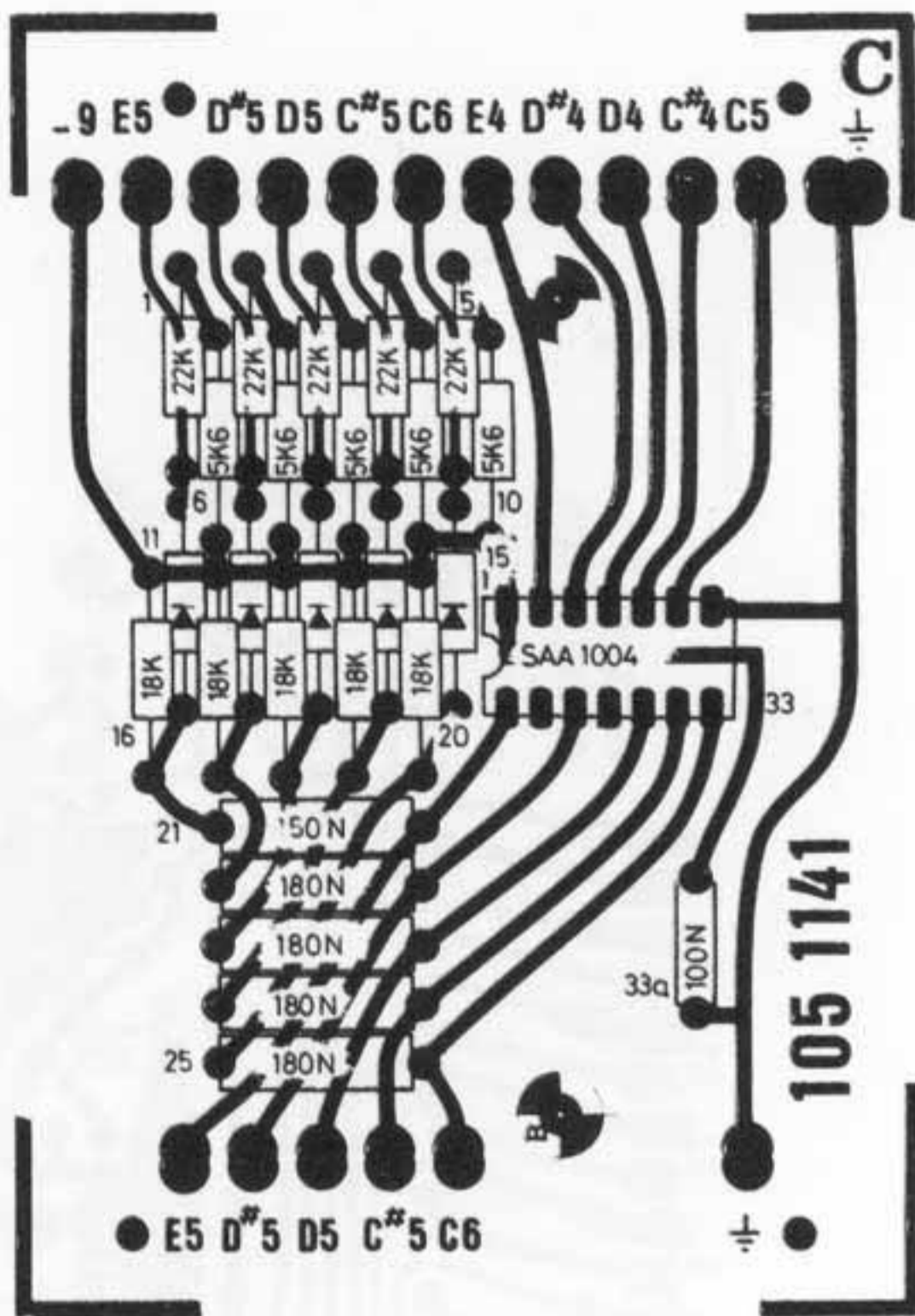
Lovely Scanned for you by XAV@oldschool-sound.com  
Free manuals for Free Vintage addicts ! Creative use only  
\$\$\$ Not For Resale \$\$\$  
( : Le bizness de ressources est un sport de ptizis : )



COMPONENT NO	138 - 184	92 - 137	46 - 91	1 - 45	175a
--------------	-----------	----------	---------	--------	------

DIVIDER CIRCUIT B

PART NO 005 0184 1



DIVIDER CIRCUIT

PART NO. 005 0185

1



www.oldschool-sound.com

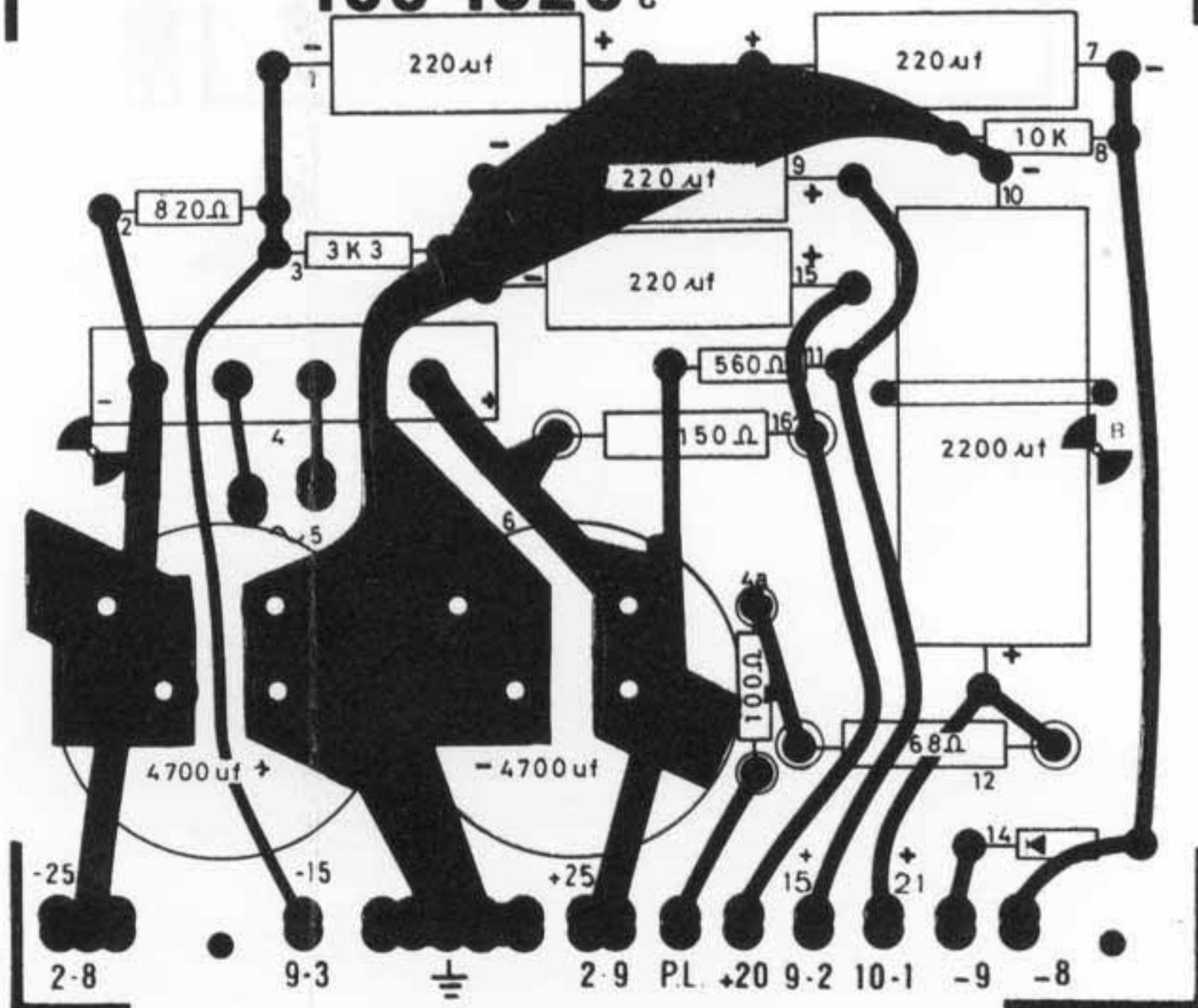
Lovely Scanned for you by XAV@oldschool-sound.com

Free manuals for Free Vintage addicts ! Creative use only

\$\$\$ Not For Resale \$\$\$

(: Le bizness de ressources est un sport de ptizisis :)

108 1020 C



POS. NO.

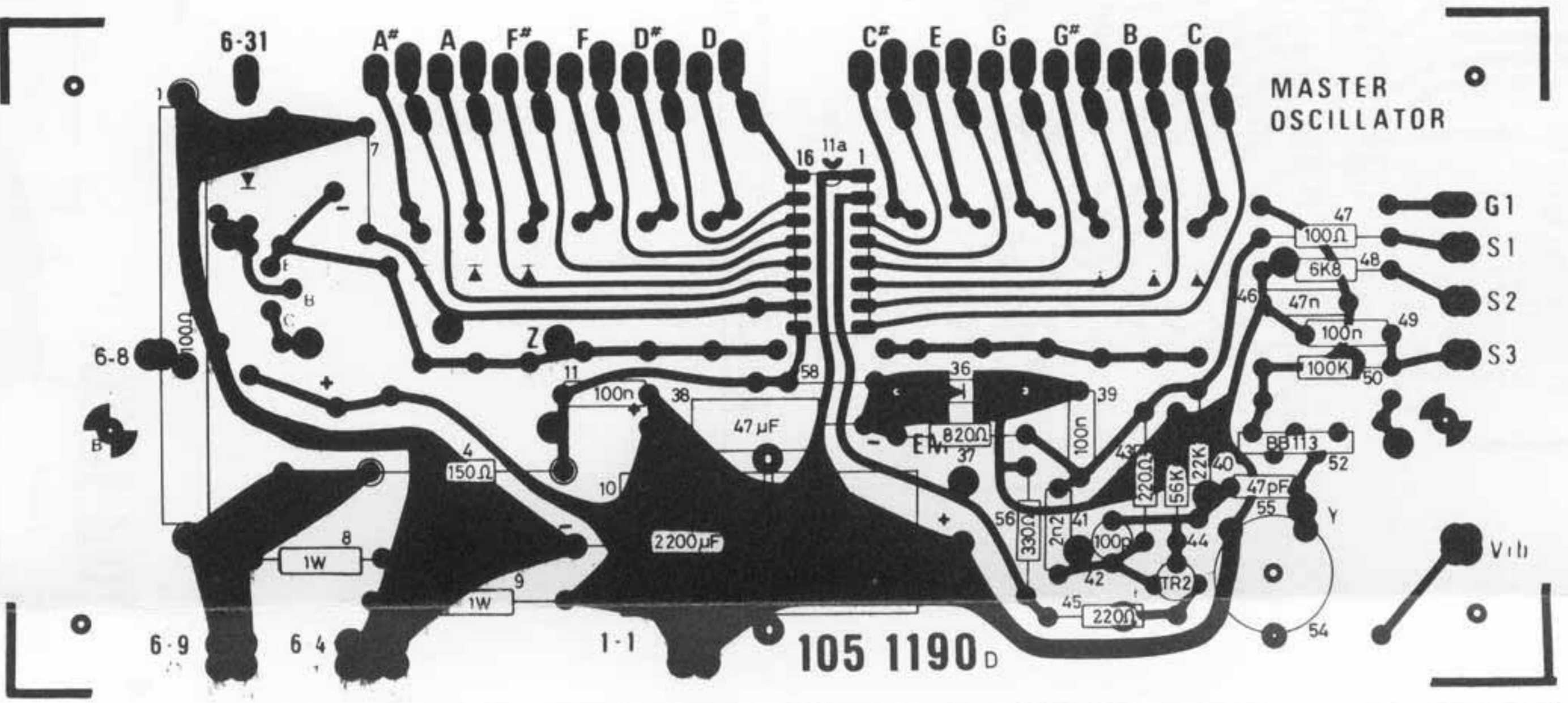
1 - 6

4a,7 - 16

POWER SUPPLY

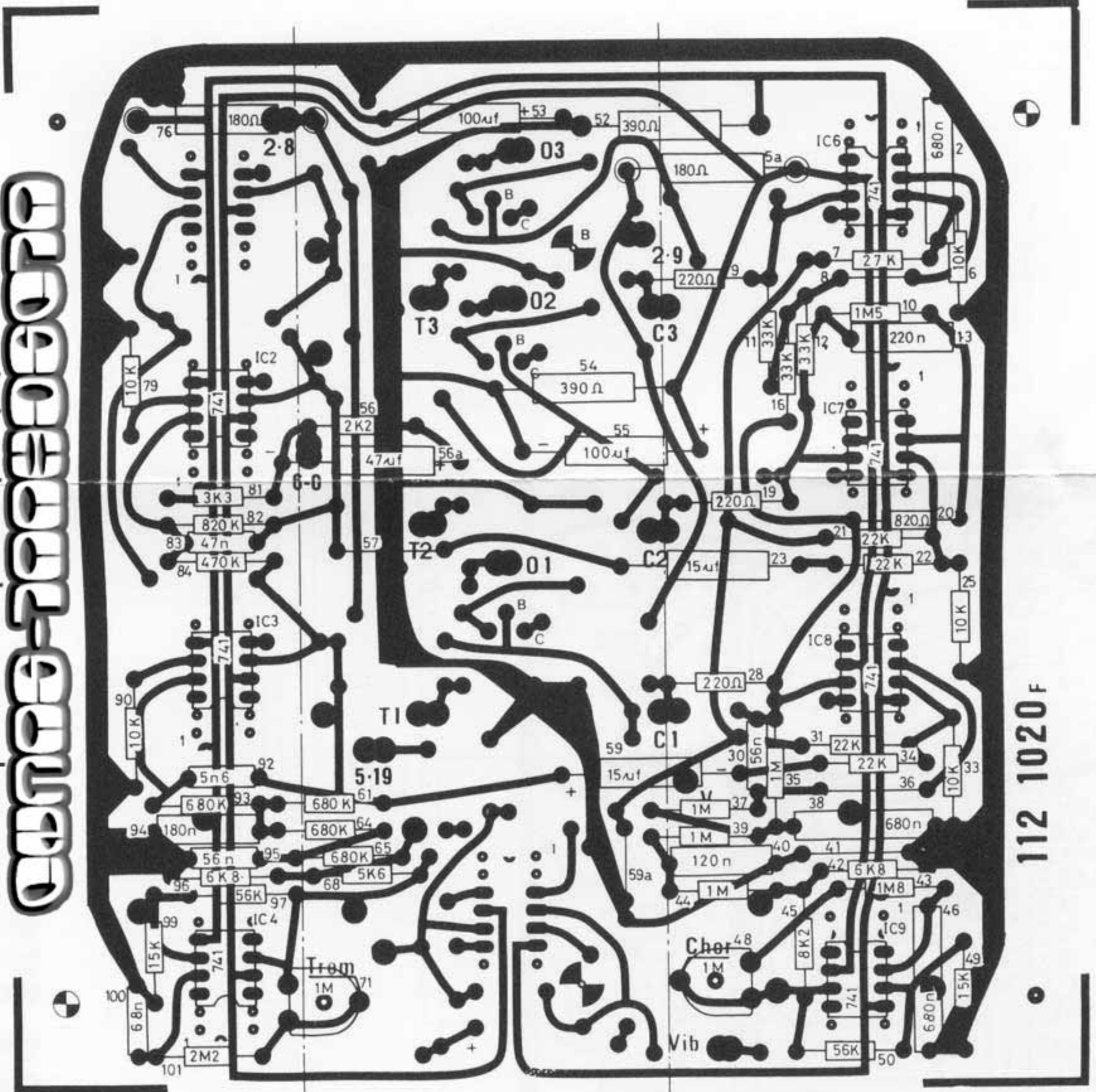
PART NO. 008 0066

C



COMPONENT NO.	4	---	---	58	TR2
TRANSISTOR NO.					

MASTER OSCILLATOR	
SHEET NO. 005 0188	H



R & C	76 - 101	52 - 75	1 - 51
TRANSISTOR			

MULTIVOICE CONTROL BOARD	
PART NO. 012 - 0025	D

[www.oldschool-sound.com](http://www.oldschool-sound.com)  
 Lovely Scanned for you by XAV@oldschool-sound.com  
 Free manuals for Free Vintage addicts ! Creative use only  
 \$\$\$ Not For Resale \$\$\$  
 (: Le bizness de ressources est un sport de ptizizis :)



www.oldschool-sound.com

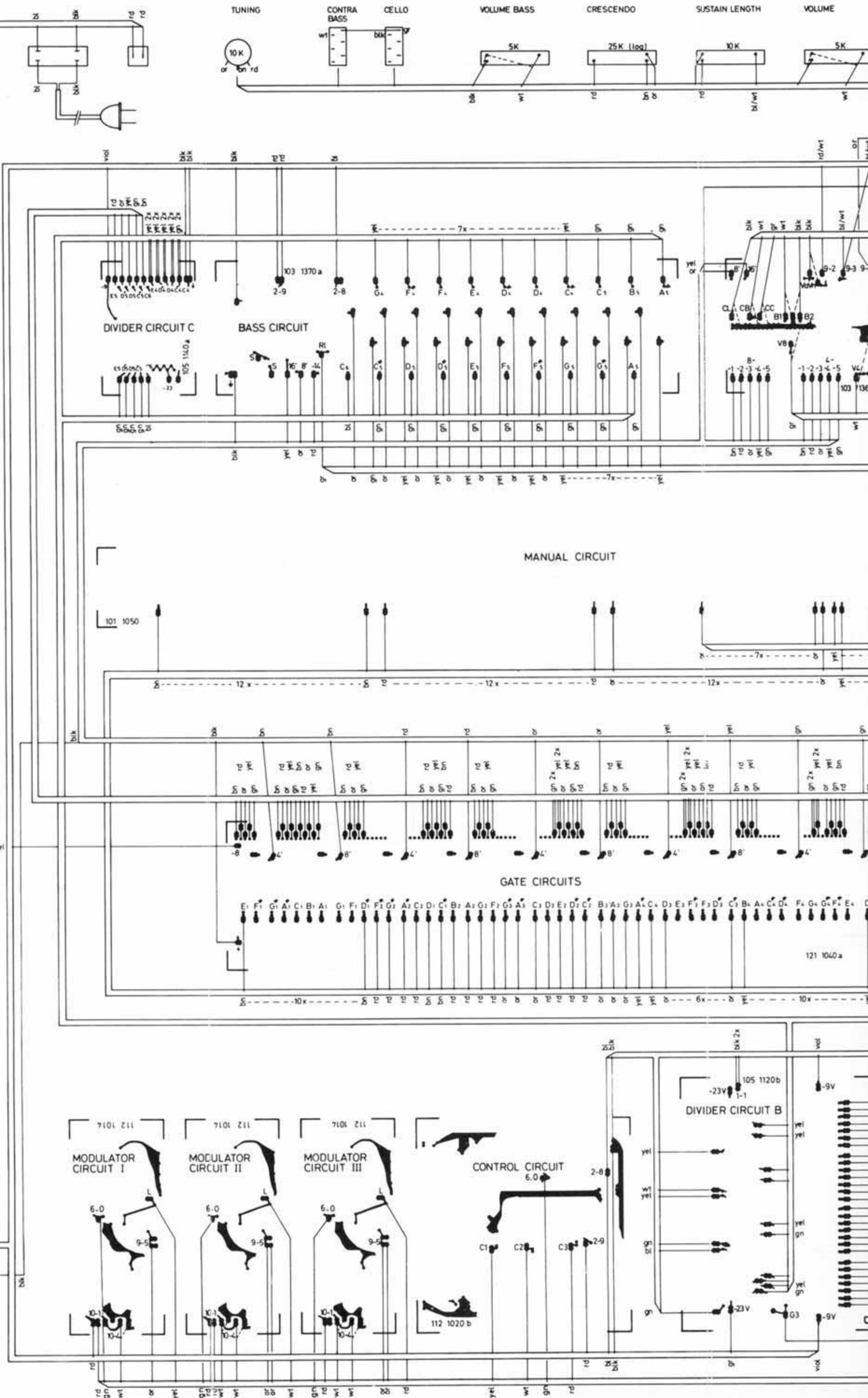
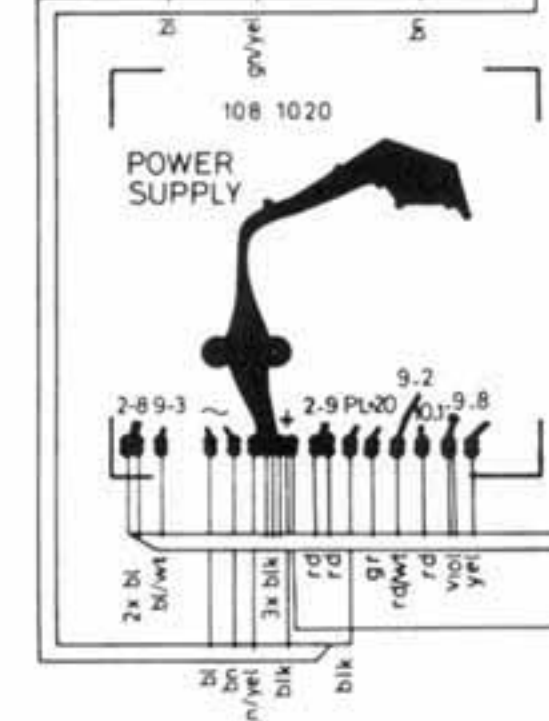
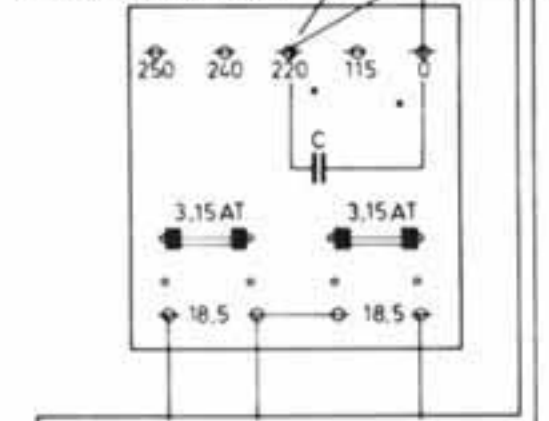
Lovely Scanned for you by XAV@oldschool-sound.com

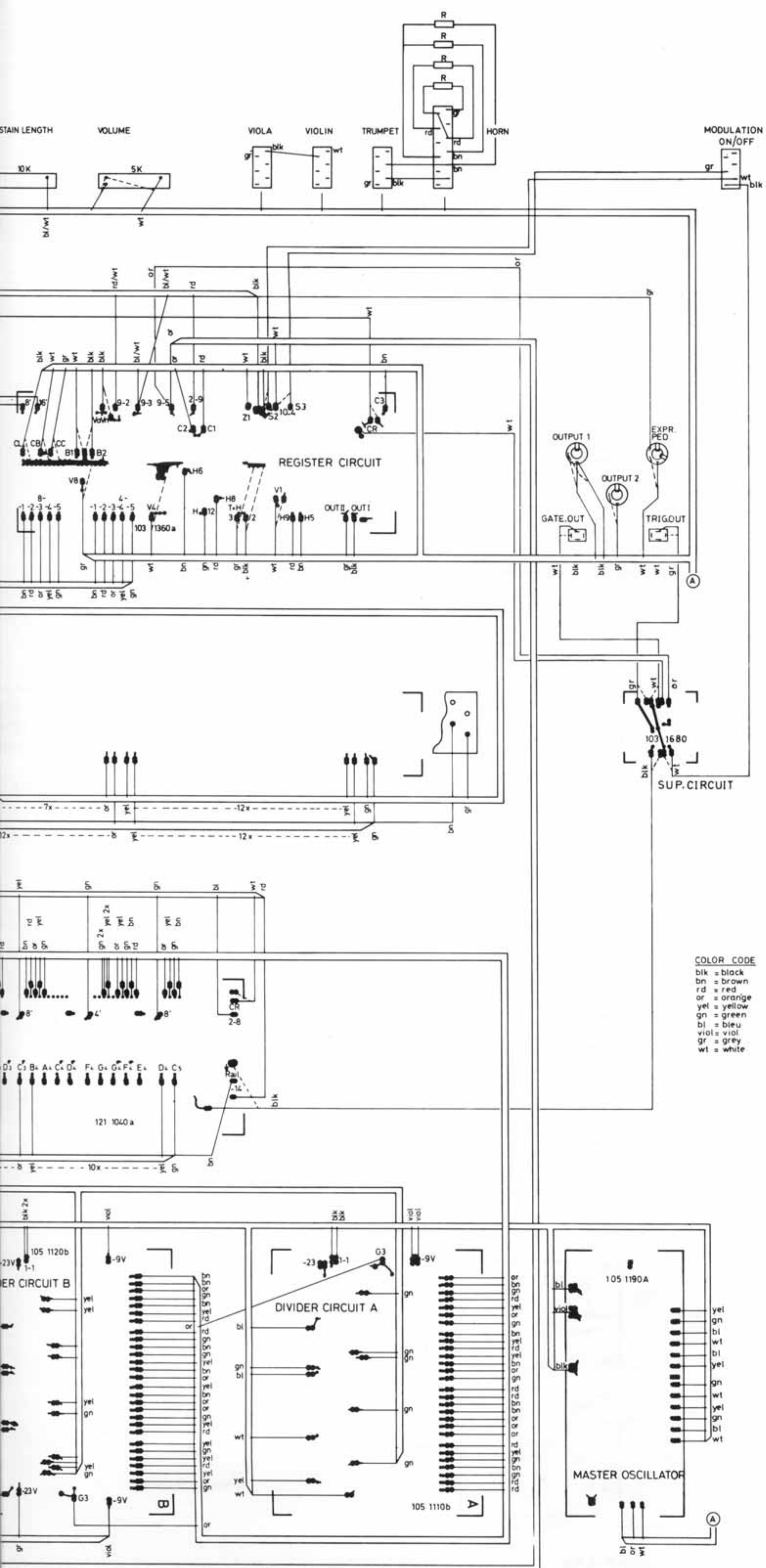
Free manuals for Free Vintage addicts ! Creative use only

\$\$\$ Not For Resale \$\$\$

(: Le bizness de ressources est un sport de ptizisis :)

FOR 115 - 240 - 250 V  
OPERATION RELOCATE  
THIS WIRE TO  
APPROPRIATE VOLTAGE





WIRING DIAGRAM  
 SHEET NO: 015 0213  
 STRING ENSEMBLE

PAT. APPLIED FOR



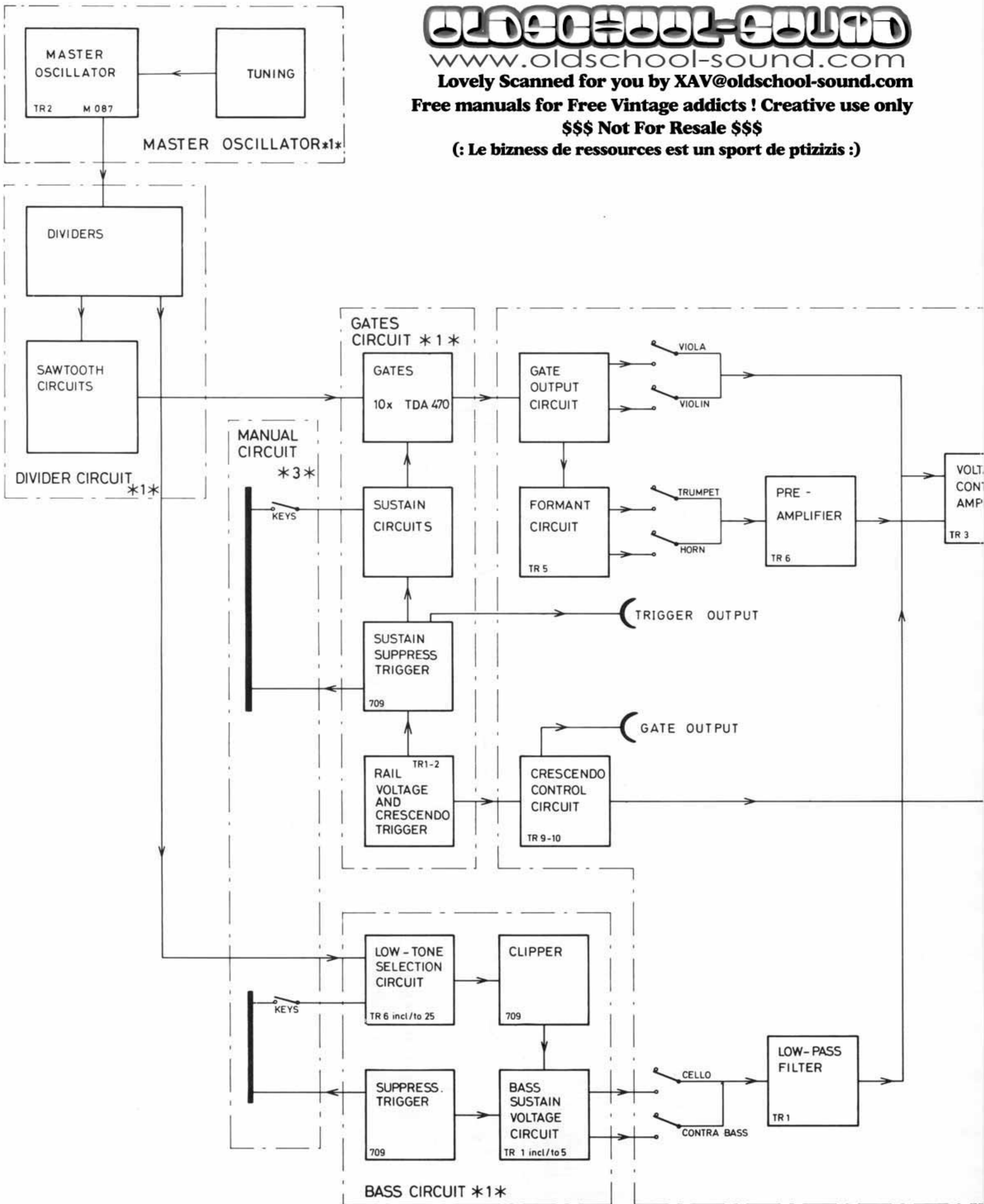
www.oldschool-sound.com

Lovely Scanned for you by XAV@oldschool-sound.com

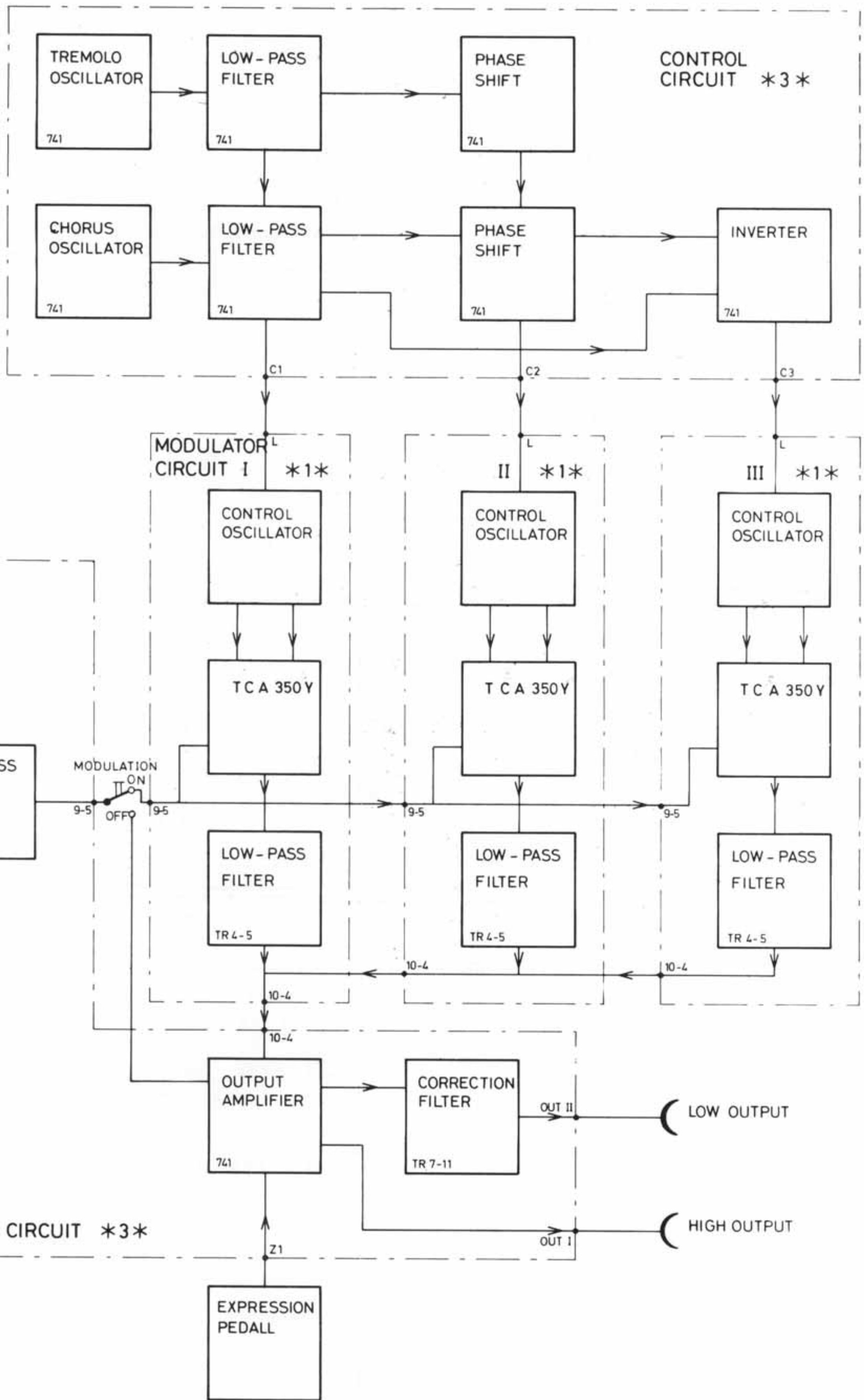
Free manuals for Free Vintage addicts ! Creative use only

\$\$\$ Not For Resale \$\$\$

(: Le bizness de ressources est un sport de ptizisis :)







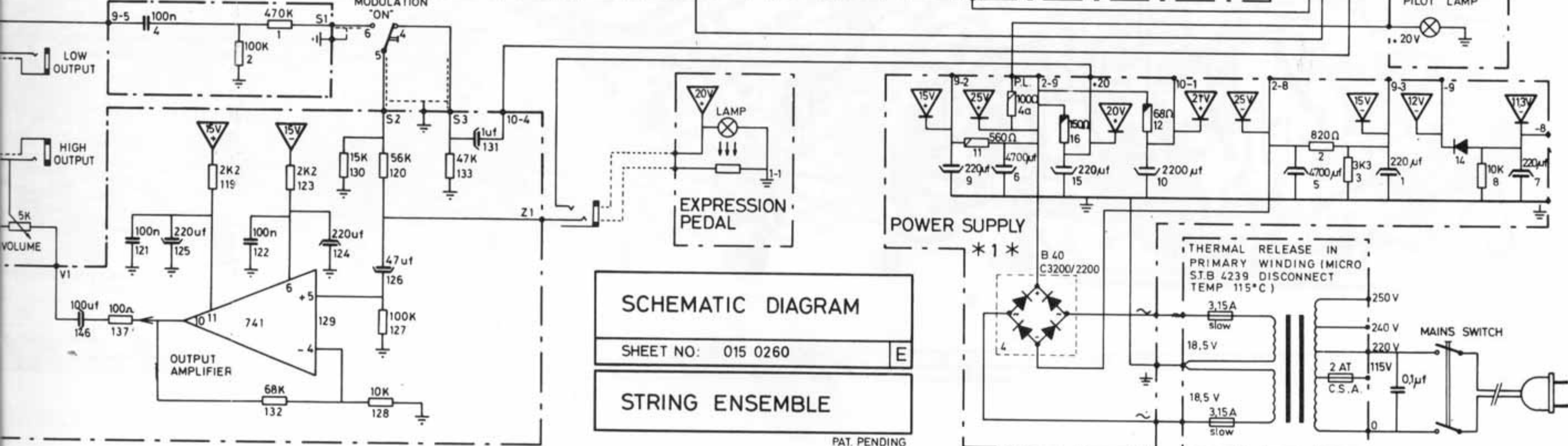
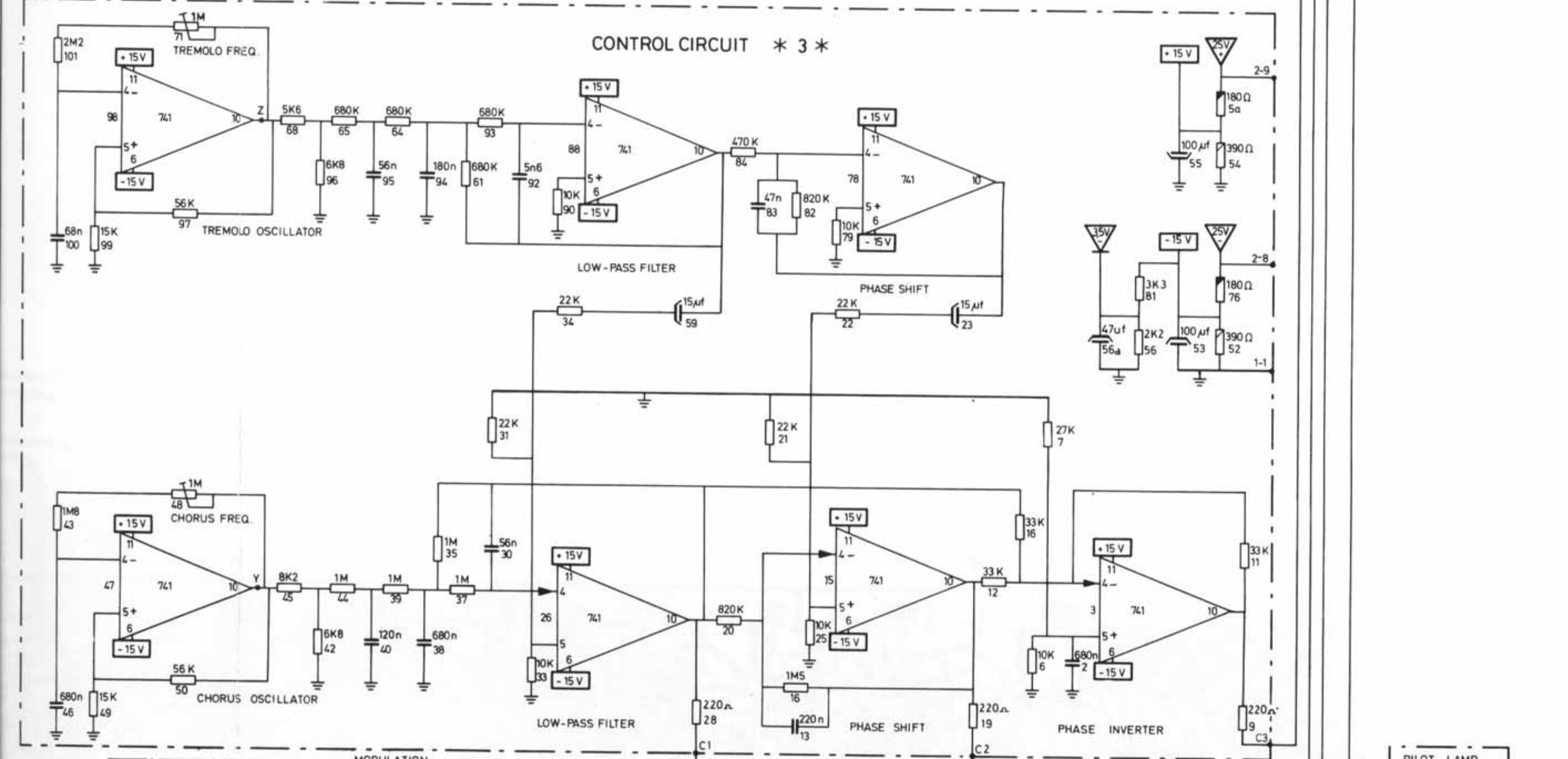
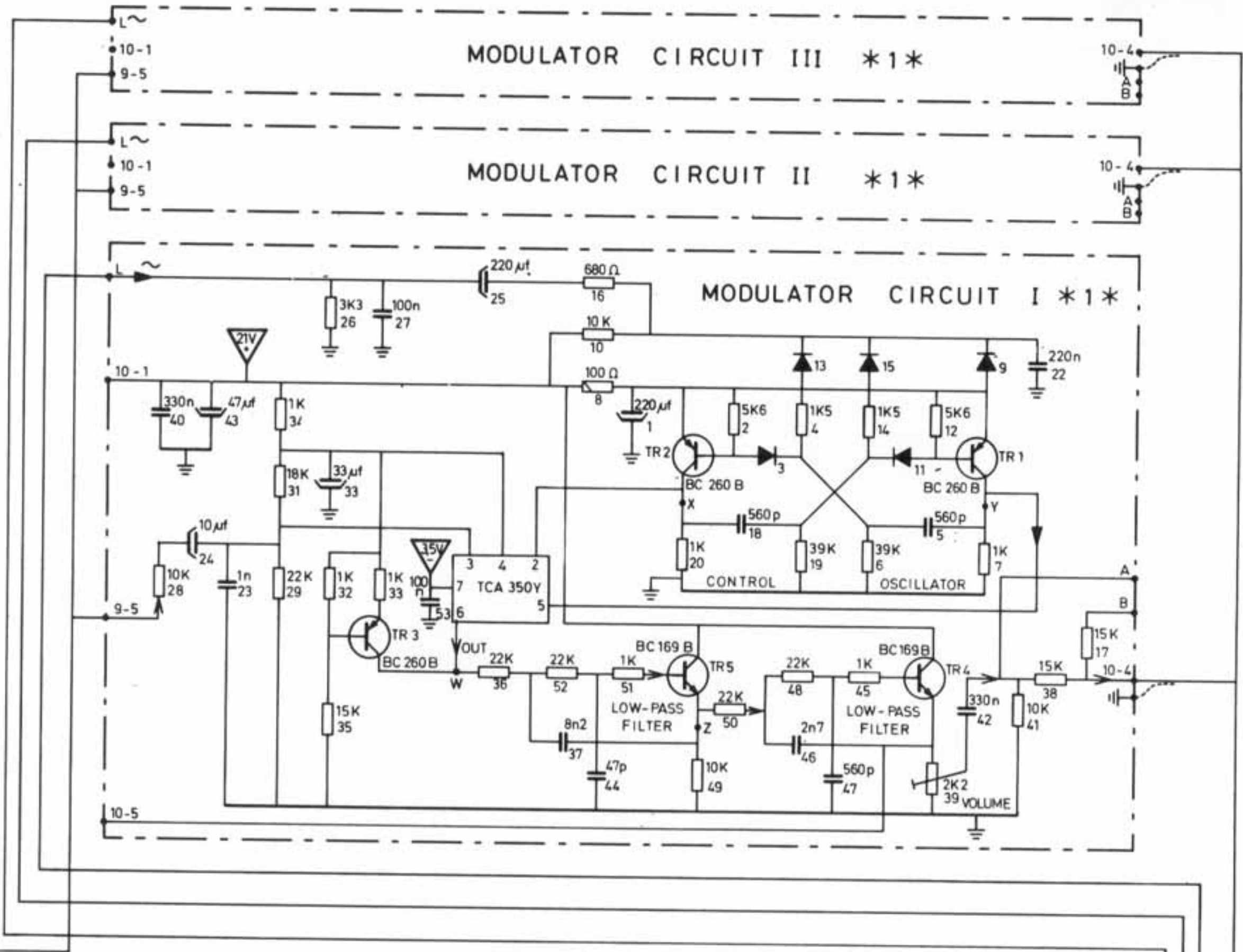
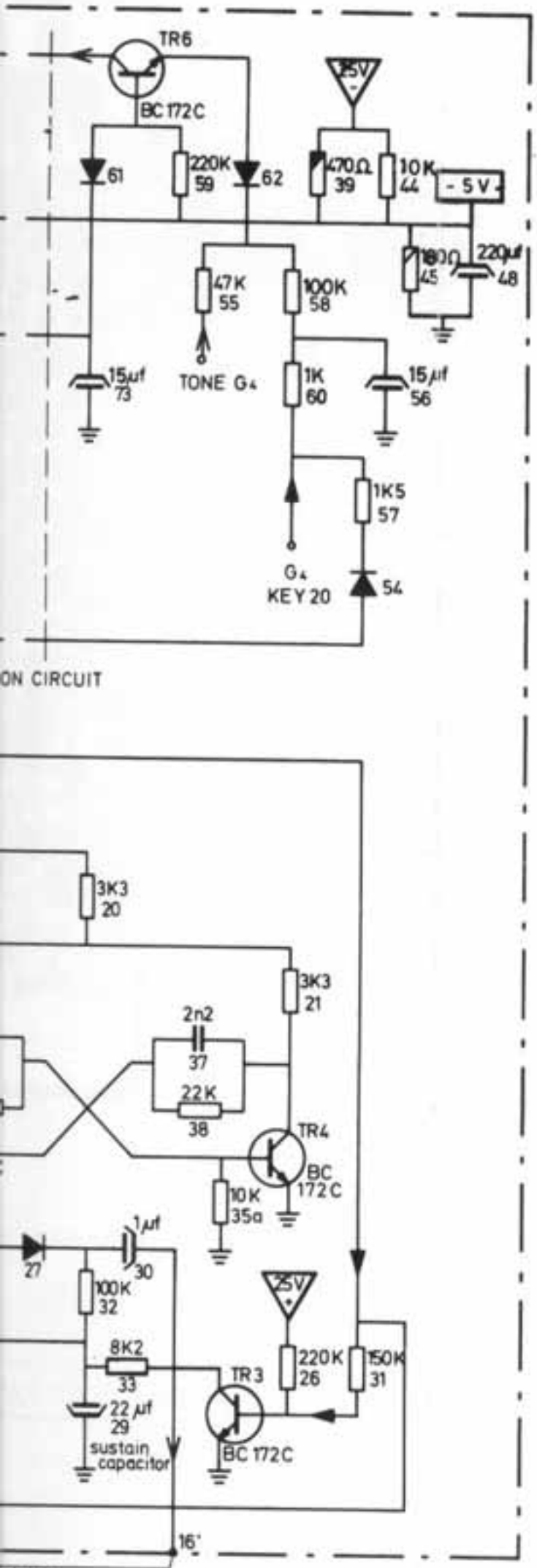
SIGNAL FLOW DIAGRAM

SHEET NO: 015 0267

B

STRING ENSEMBLE

PAT. APPLIED FOR

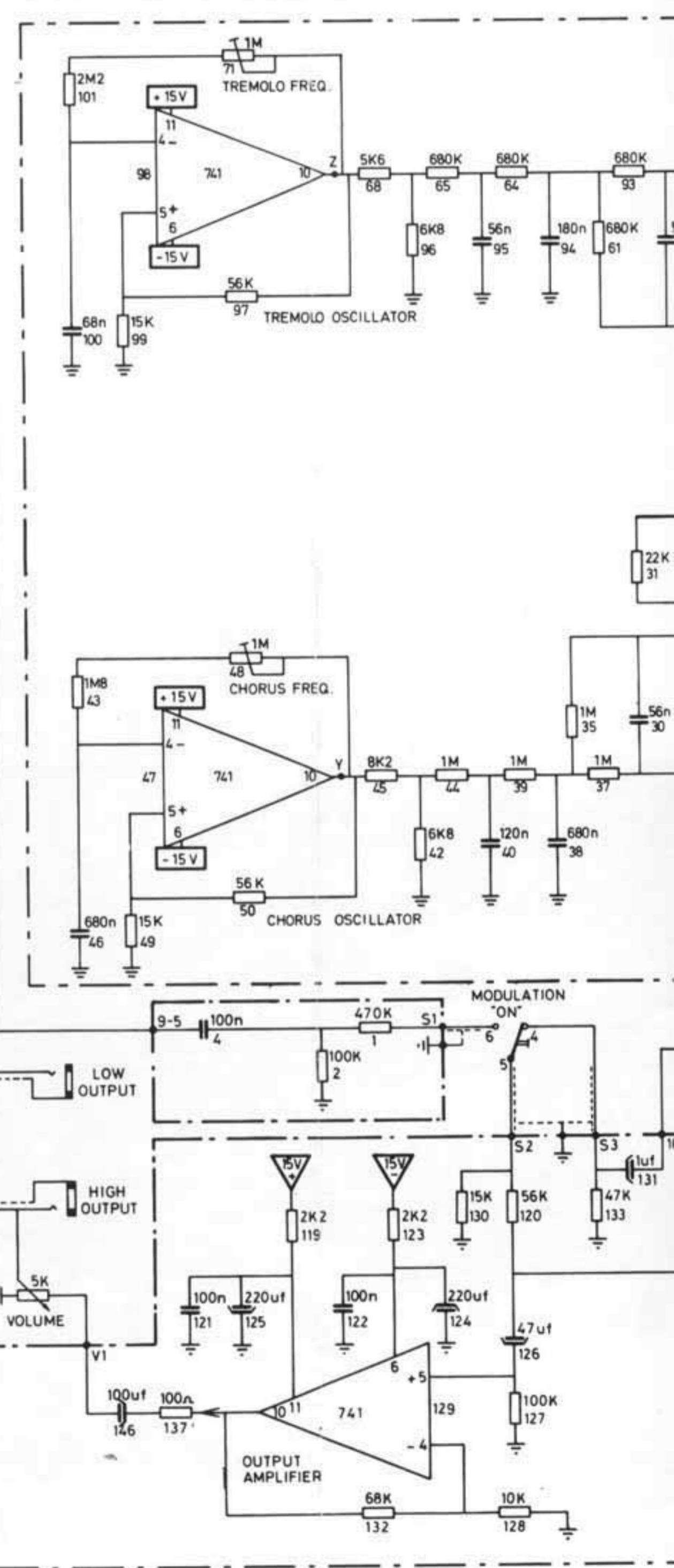
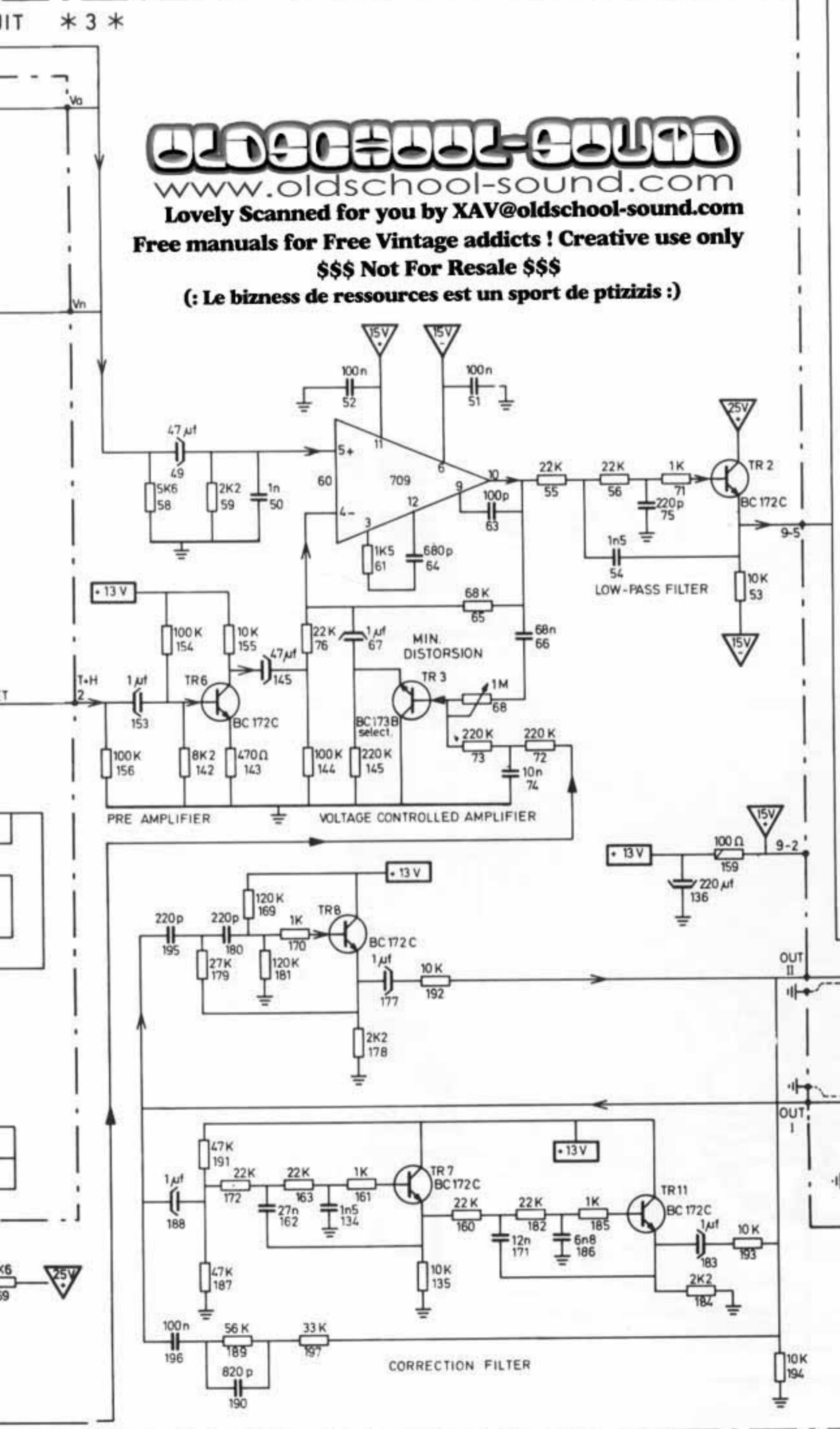
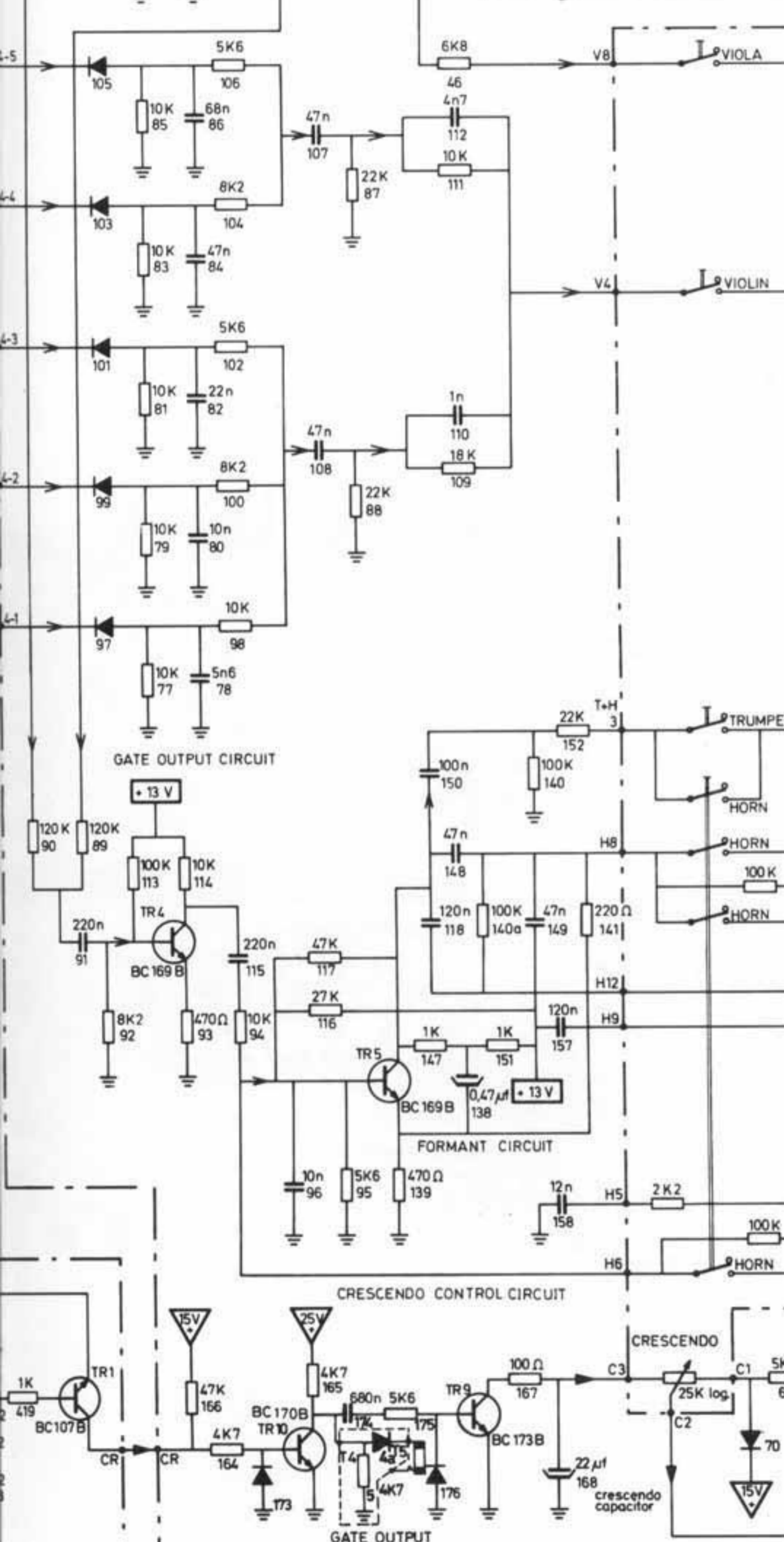
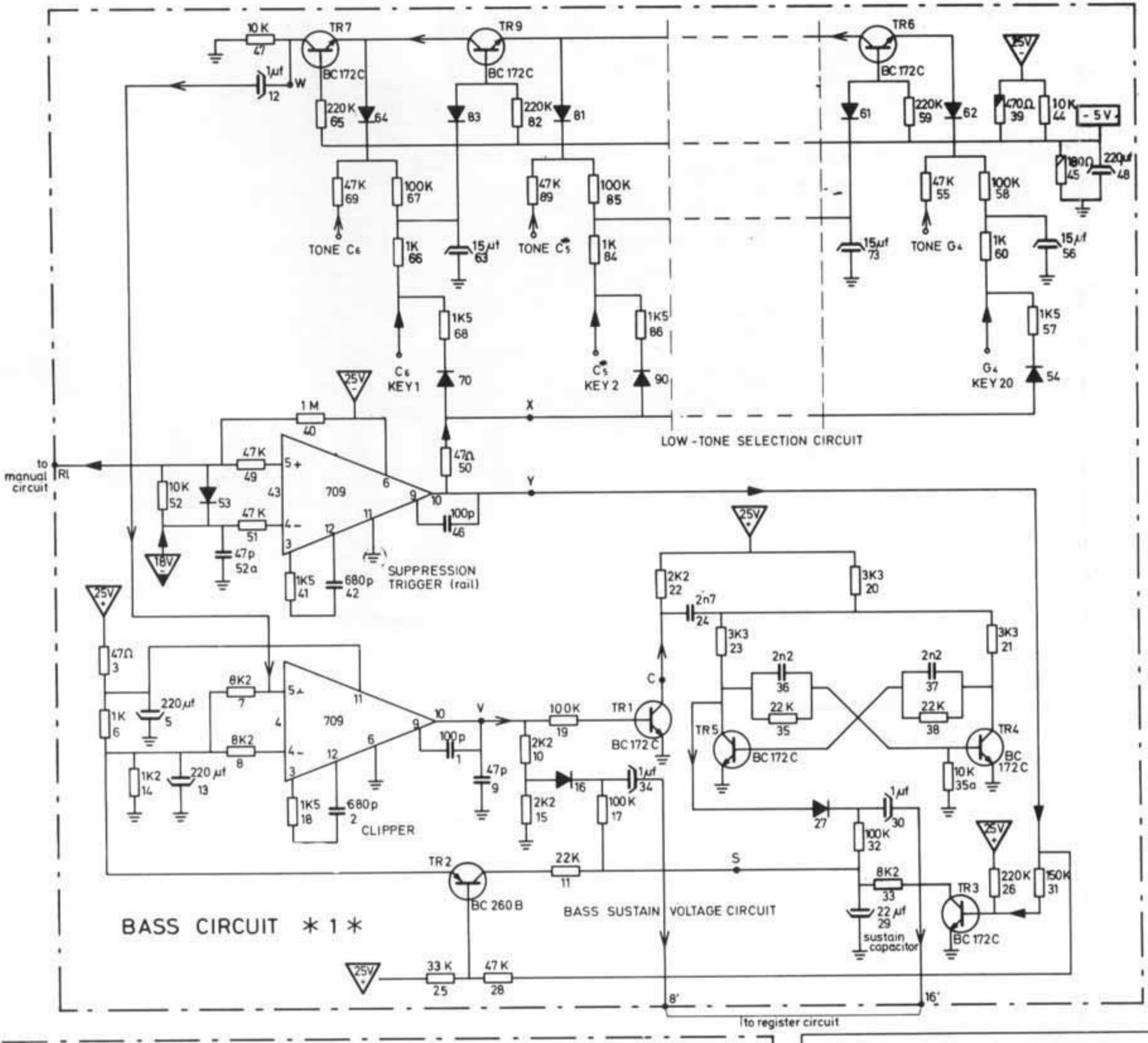
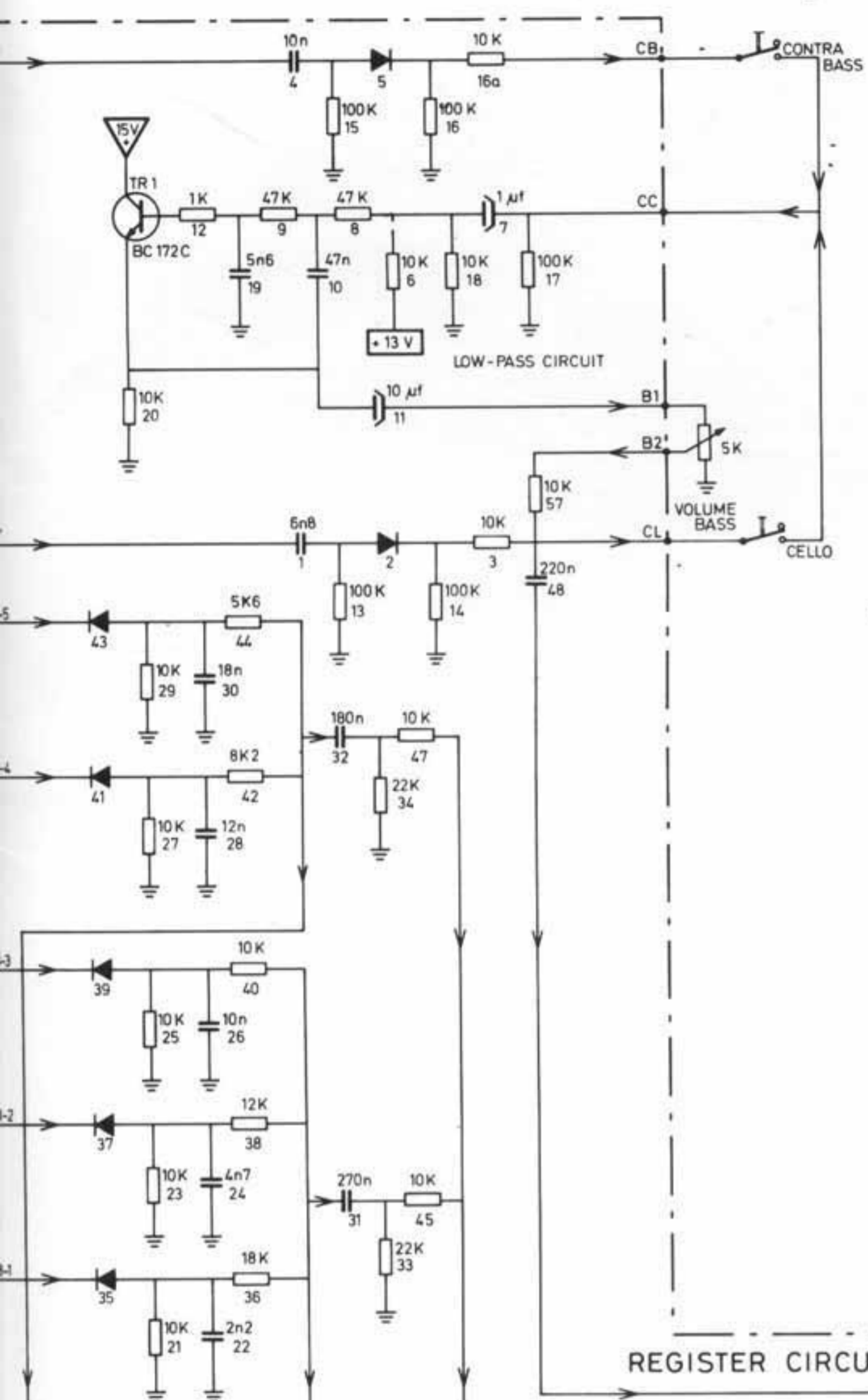


**SCHEMATIC DIAGRAM**

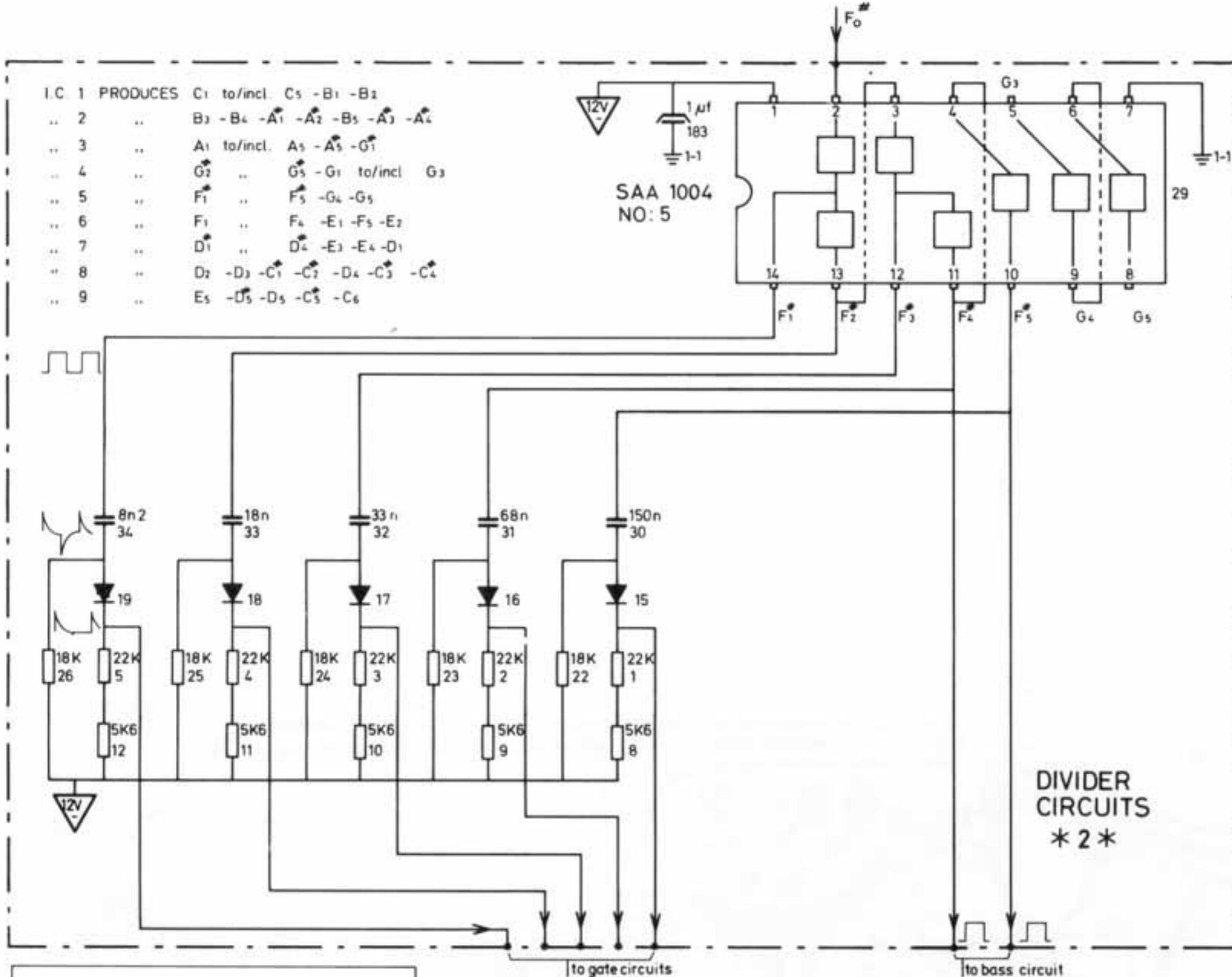
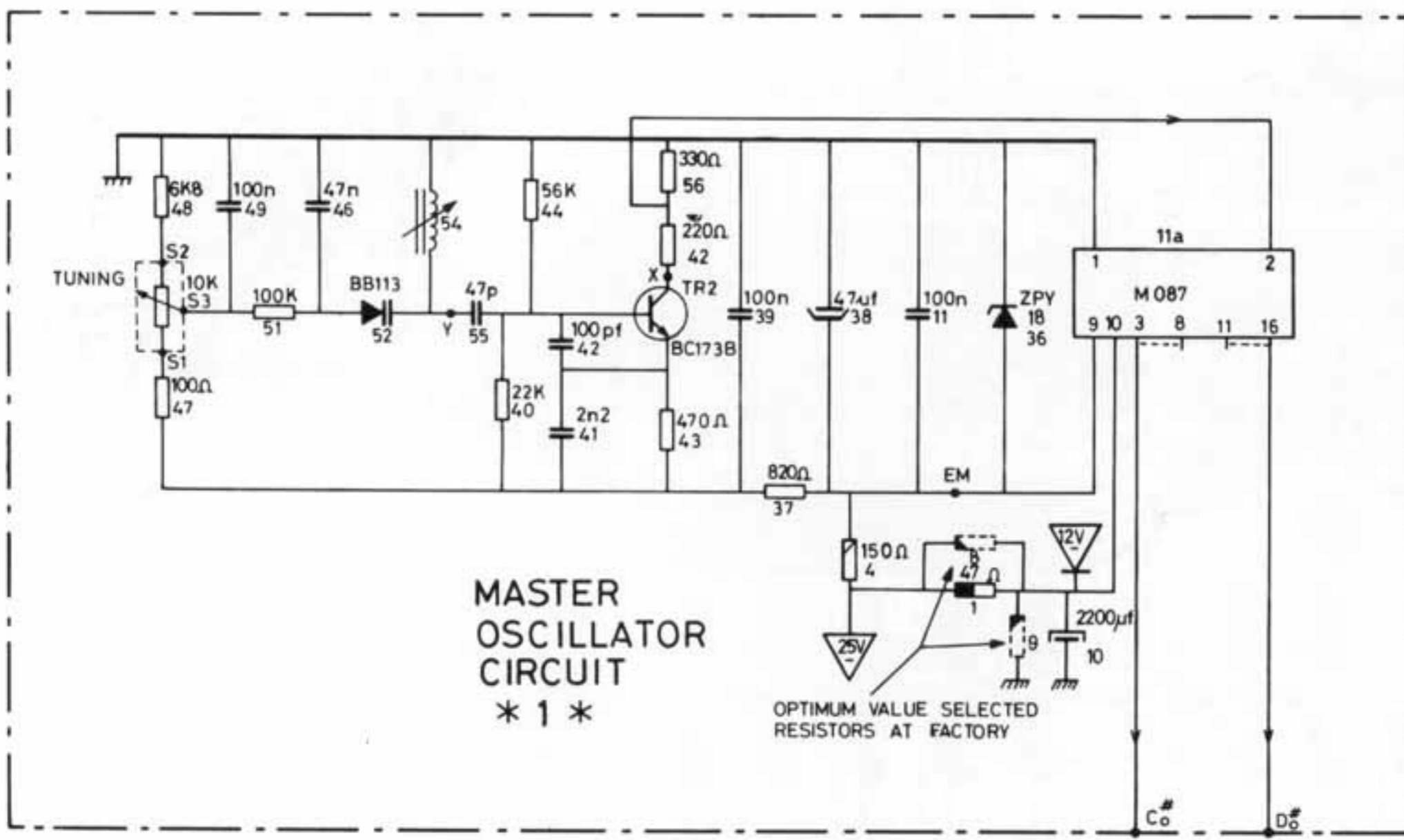
SHEET NO: 015 0260

**STRING ENSEMBLE**

PAT. PENDING



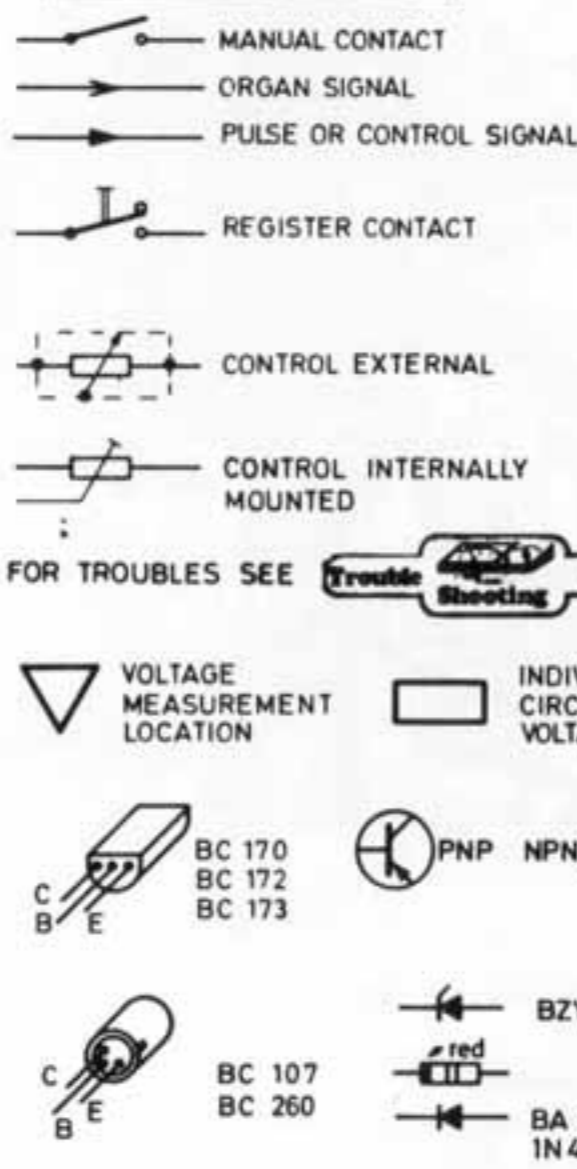
**OLDSCHOOL-SOUND**  
[www.oldschool-sound.com](http://www.oldschool-sound.com)  
 Lovely Scanned for you by XAV@oldschool-sound.com  
 Free manuals for Free Vintage addicts ! Creative use only  
 \$\$\$ Not For Resale \$\$\$  
 (: Le bizness de ressources est un sport de pitizis :)



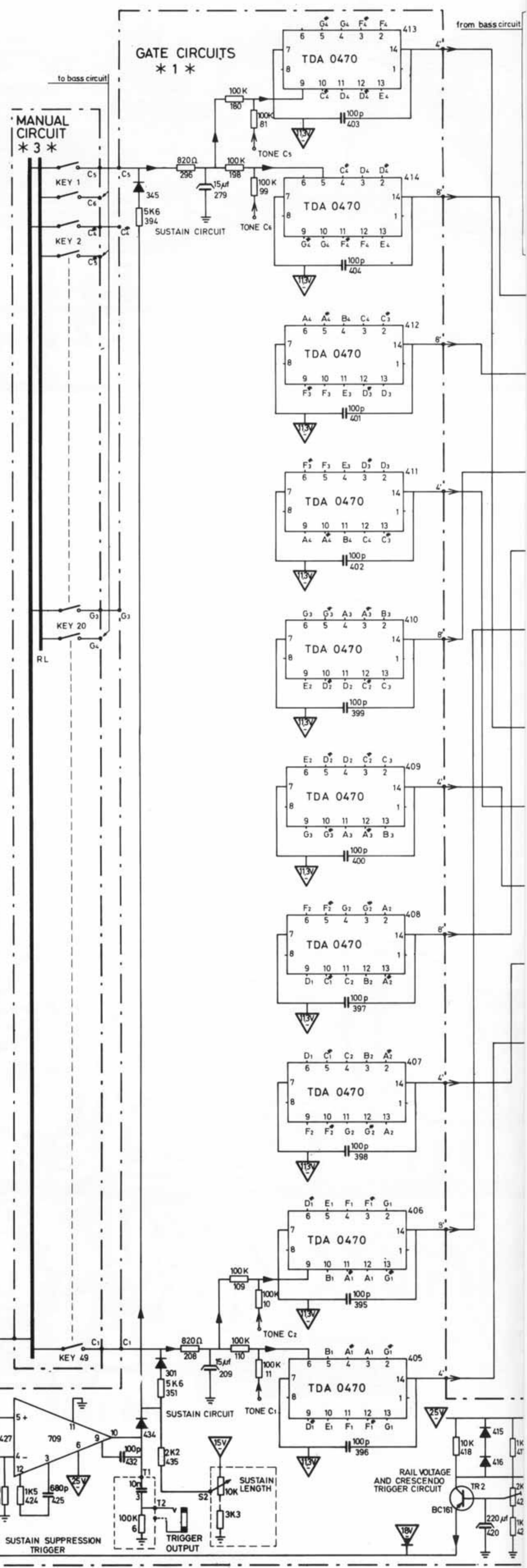
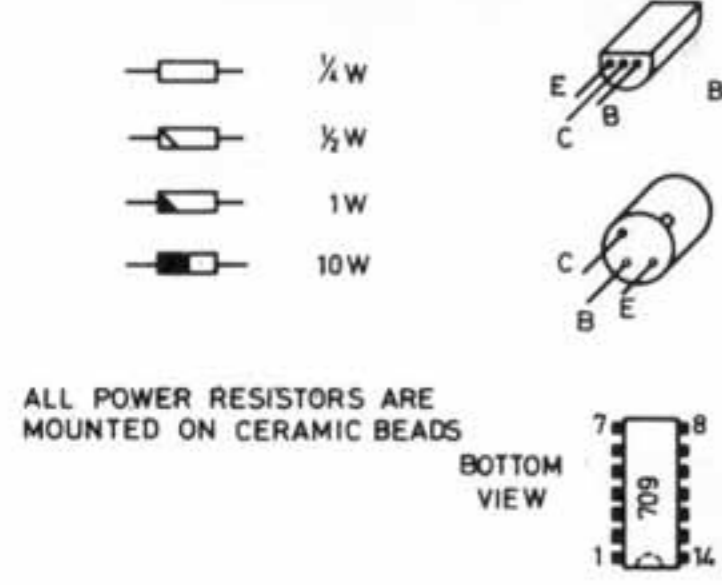
**CAPACITOR VALUES (DIVIDER CIRCUITS)**

5n6	- C1
6n8	- B1 - A1 - A1
8n2	- G1 - G1 - F1
10n	- F1 - E1 - D1 - D1
12n	- C1 - C1 - B1
15n	- A1 - A1 - G1 - G1
18n	- F1 - F1 - E1 - E1
22n	- D1 - D1 - C1 - C1
27n	- C1 - B1 - A1 - A1
33n	- G1 - G1 - F1
39n	- F1 - E1 - D1
47n	- D1 - C1 - C1 - B1
56n	- A1 - A1
68n	- G1 - G1 - F1
82n	- F1 - E1
100n	- D1 - D1 - C1 - C1 - B1
120n	- A1 - A1 - G1
150n	- G1 - F1 - F1 - E1
180n	- D1 - D1 - C1 - C1

**GENERAL INFORMATION**



6-0	35V	SOURCE: CONTROL CIRCUIT
18V	SOURCE: GATE CIRCUITS	
6-3	12V	SOURCE: MASTER OSCILLATOR CIRCUIT
11.3V		
9-3	15V	SOURCE: POWER SUPPLY CIRCUIT
9-2	15V	
20V		
10-1	21V	
2-9	25V	
6-9	25V	
2-8		





www.oldschoolsound.com

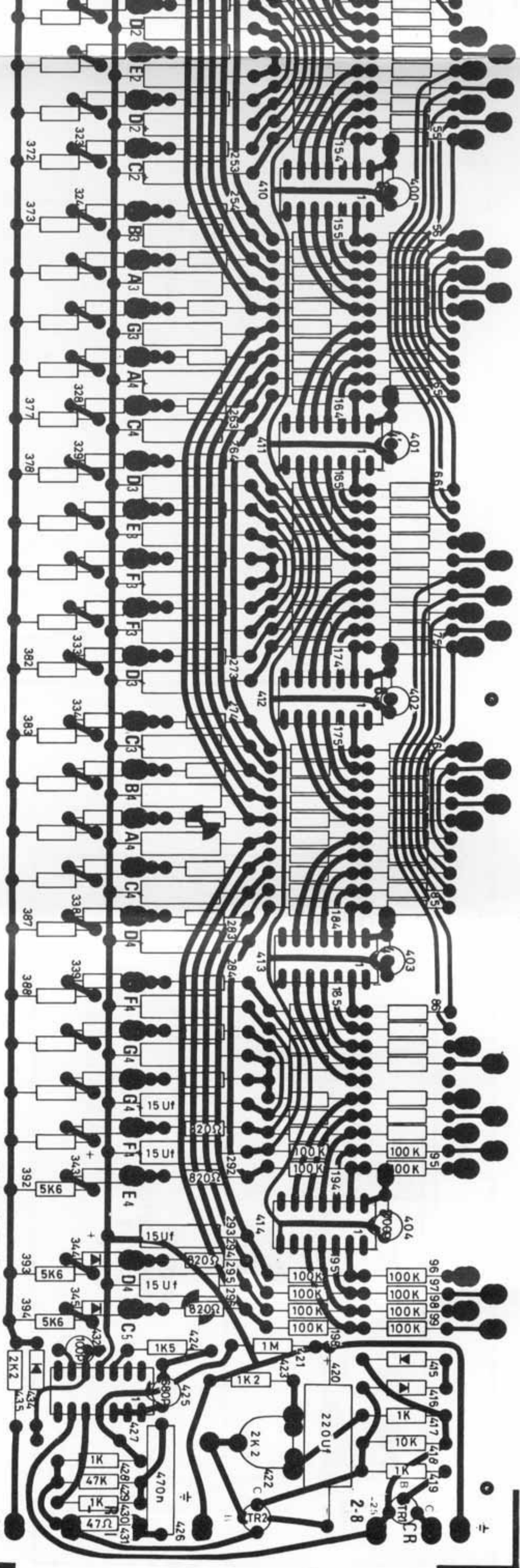
Lovely Scanned for you by XAV@oldschool-sound.com

Free manuals for Free Vintage addicts ! Creative use only

\$\$\$ Not For Resale \$\$\$

(: Le bizness de ressources est un sport de ptizizis :)

1211040c



GATE CIRCUIT

PART NO 021 0001

F



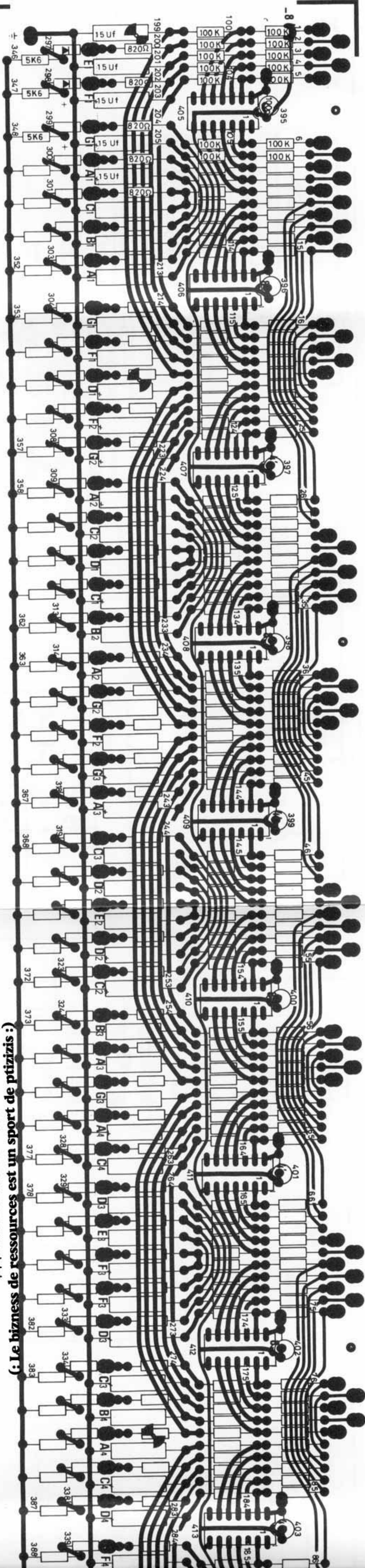
www.oldschool-sound.com

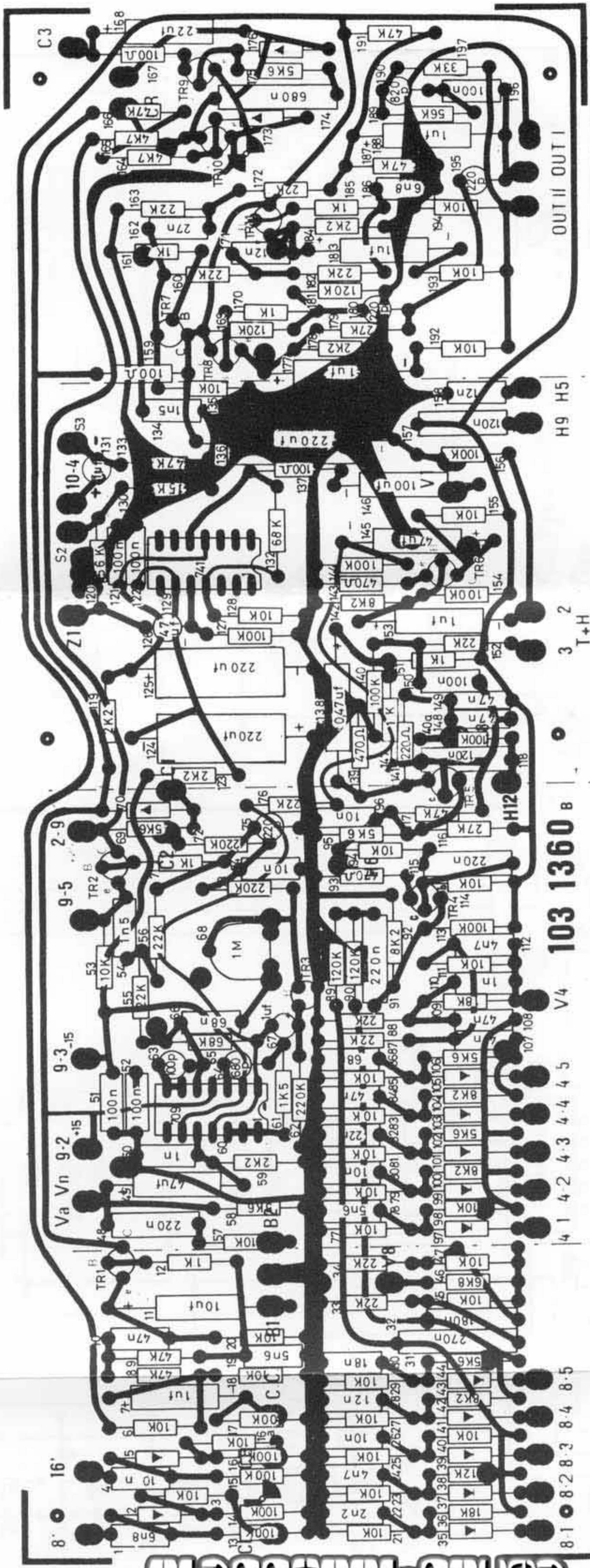
Lovely Scanned for you by XAV@oldschool-sound.com

Free manuals for Free Vintage addicts ! Creative use only

\$\$\$ Not For Resale \$\$\$

(: Le bizness de ressources est un sport de ptizizis :)





R & C	1 - 47	48 - 118	119 - 158	159 - 197
TRANSISTOR	TR 1	TR 2-3-4	TR 5-6	TR 7-8-9-10-11

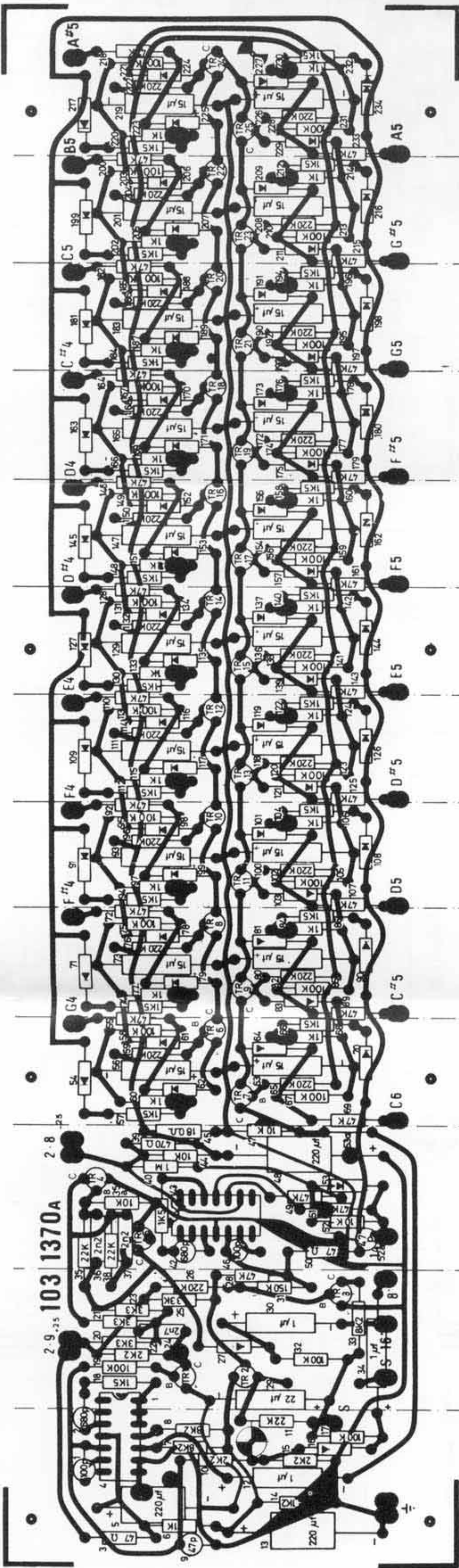
REGISTER CIRCUIT

PART NO: 003 3016

H



www.oldschool-sound.com  
 Lovely Scanned for you by XAV@oldschool-sound.com  
 Free manuals for Free Vintage addicts ! Creative use only  
 \$\$\$ Not For Resale \$\$\$  
 (: Le bizness de ressources est un sport de ptizis :)



R & C	1 - 17	18 - 34	35 - 53a	54 - 70	71 - 86, 89, 90	91 - 108	109 - 126	127 - 144	145 - 162	163 - 180	181 - 198	199 - 216	217 - 234
TRANSISTOR	1 - 3	4, 5	6, 7	8, 9	10, 11	12, 13	14, 15	16, 17	18, 19	20, 21	22, 23	24, 25	



[www.oldschool-sound.com](http://www.oldschool-sound.com)

Lovely Scanned for you by XAV@oldschool-sound.com

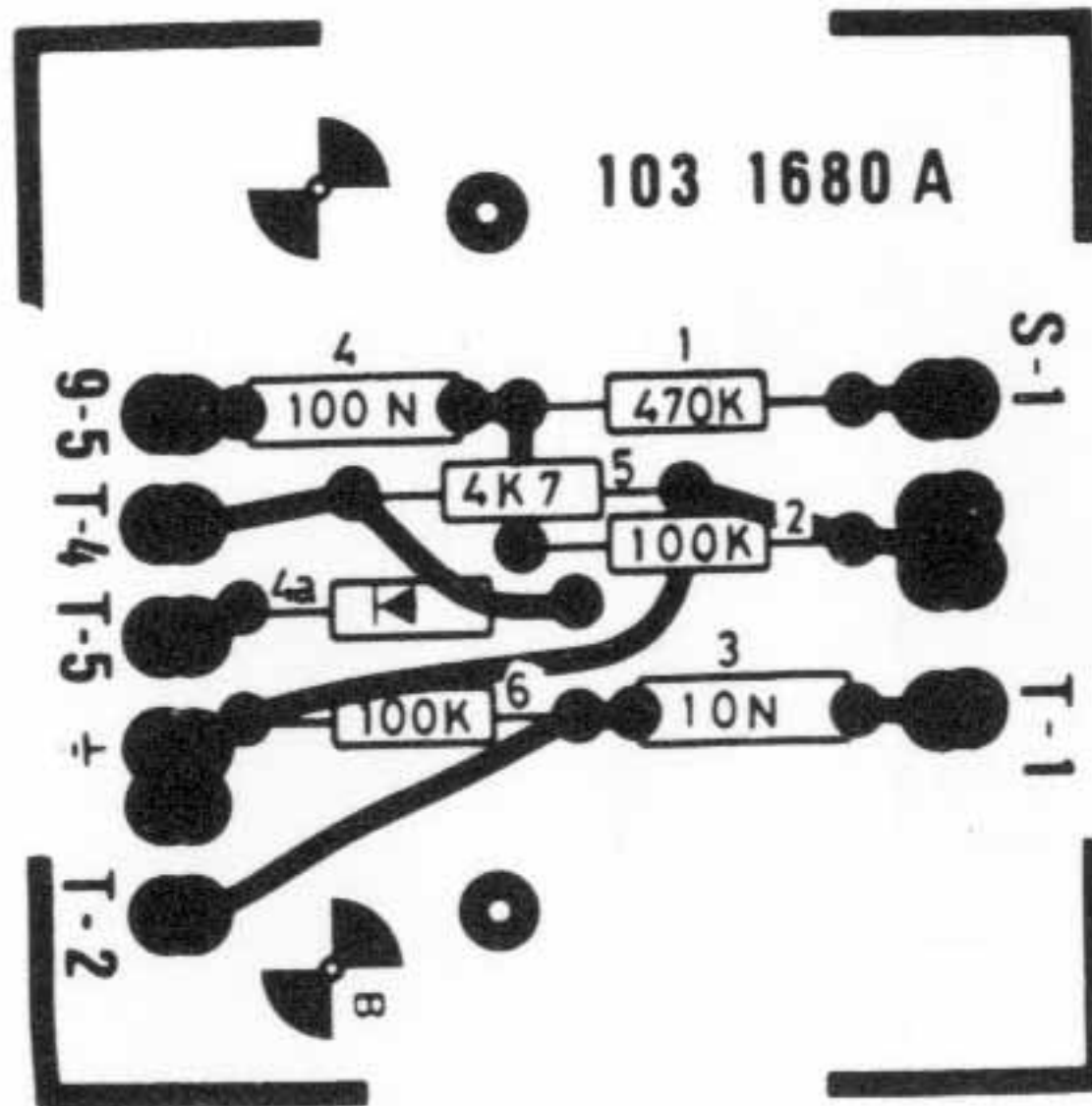
Free manuals for Free Vintage addicts ! Creative use only

\$\$\$ Not For Resale \$\$\$

(: Le bizness de ressources est un sport de ptizis :)

BASS CIRCUIT	
PART NO.	003 3025
	G

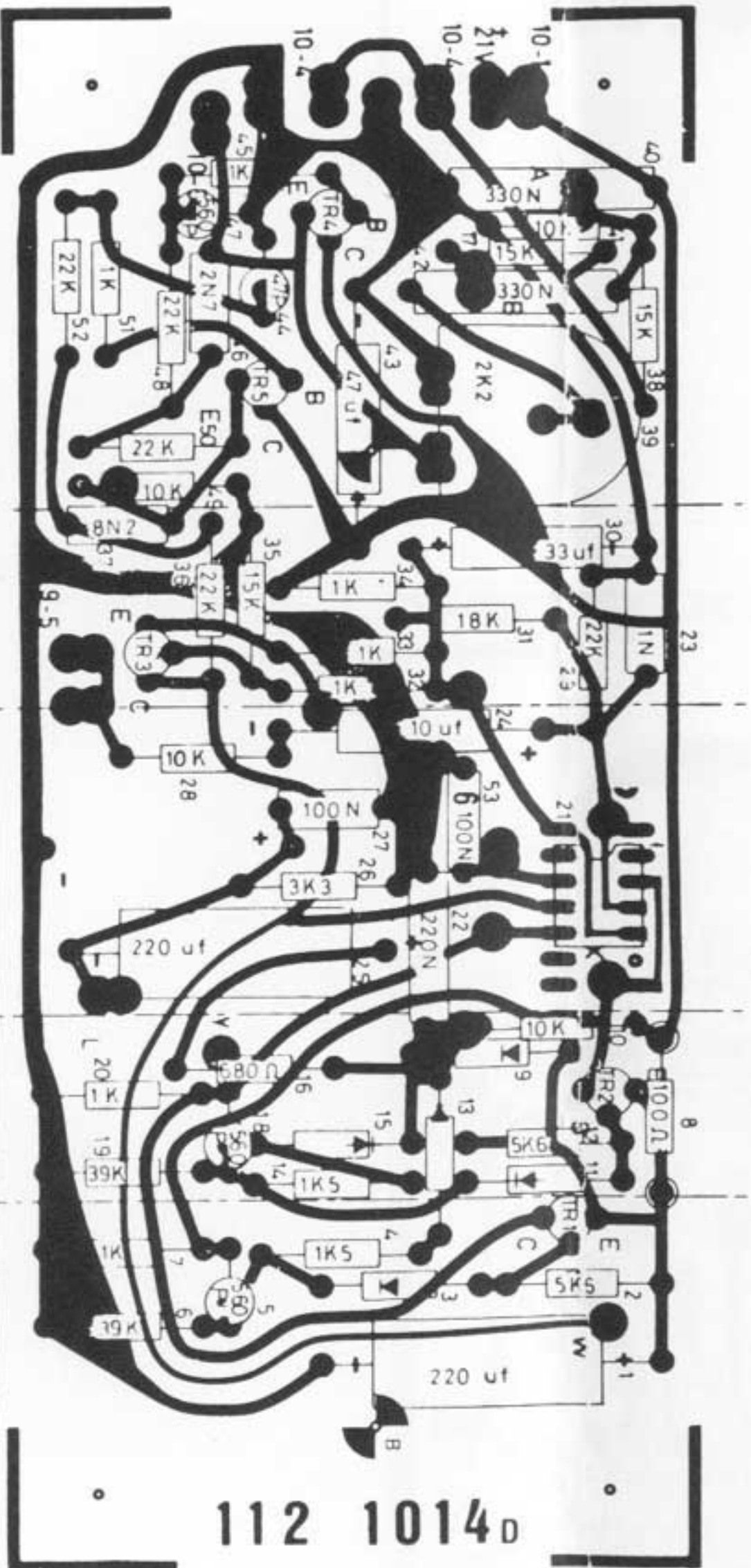




SUPPLEMENTARY CIRCUIT

PART NO. 003-2182

B



112 1014D

COMPONENT	17, 38-52	23, 29-37	21-28, 53	8-20	1-7
TRANSISTOR	TR 4,5	TR 3		TR 2	TR 1



www.oldschool-sound.com

Lovely Scanned for you by XAV@oldschool-sound.com

Free manuals for Free Vintage addicts ! Creative use only

\$\$\$ Not For Resale \$\$\$

(: Le bizness de ressources est un sport de ptizizis :)

MODULATOR CIRCUIT B

PART NO 012 0034

E