

ACOUSTASONIC 30

p/n 022-1303-000 (120V)

SERVICE MANUAL

SERVICE MANUAL

DECEMBER 1999

IMPORTANT NOTICE:

The information contained herein is CONFIDENTIAL and PROPRIETARY to Fender Musical Instruments Corp. It is disclosed solely for use by qualified technicians for purposes of equipment maintenance and service. It is not to be disclosed to others without the expressed permission of Fender Musical Instruments Co. All specifications subject to change without notice.

For warranty repair service, only Fender specified part numbers are to be used. It is recommended they also be used for post-warranty maintenance and repair.

Parts marked with an asterisk (*) indicate the required use of that specific part. This is necessary for RELIABILITY and SAFETY requirements. **DO NOT USE A SUBSTITUTE!**

A coded naming convention is used in the description of certain parts. The codes and what they mean are as follows:

CAPACITOR CODES

CAP AE = Aluminum Electrolytic
 CAP CA = Ceramic Axial
 CAP CD = Ceramic Disk
 CAP MPF = Metalized Polyester Film
 CAP MY = Mylar
 CAP PFF = Polyester Film/Foil

HARDWARE CODES

BLX = Black Oxide
 CR = Chrome Plated
 HWH = Hex Washer Head
 M = Machine Screw
 NI = Nickel Plated
 OHP = Oval Head Phillips
 PB = Particle Board
 PHP = Pan Head Phillips
 PHPS = Pan Head Phillips Sems
 SMA = Sheet Metal "A" Point
 SMB = Sheet Metal "B" Point
 SS = Stainless Steel
 TF = Thread Forming
 ZI = Zinc Plated

RESISTOR CODES

RES CC = Carbon Comp
 RES CF = Carbon Film
 RES FP = Flame Proof
 RES MF = Metal Film
 RES WW = Wire Wound



CONTENTS:

- Notices
- Specifications
- Parts lists:
 - PCB assembly
 - Chassis assembly
 - Cabinet assembly
 - End item
- Schematics/diagrams

SPECIFICATIONS

PARTS LIST

NOTE: SHADED ITEMS ARE FOR REFERENCE ONLY

Product Release No.:	PR 423 <i>(This is not a model number)</i>	
Part Number:	120V Version :	22-1303
	240V Aus :	22-1333
	230V UK :	22-1343
	230V Eur :	22-1363
	100V :	22-1373
Power Requirements:	100V Version :	100 VAC 50/60 Hz, 90W
	120V :	120 VAC 60 Hz, 90W
	230V :	230 VAC 50 Hz, 90W
	240V :	240 VAC 50 Hz, 90W
Power Amp Section		
Power Output:	30 Watts RMS into 8 Ω @ <0.17% THD	
Preamp Section		
Input Impedance:	10MΩ (Inst)	3.6kΩ (mic)
Sensitivity For Full Power:	7.5mV (Inst)	4.5 mV (mic)
Tone Controls:	Treble: +/-15 dB @ 15kHz (Inst/Mic) Mid: +/-12 dB @ 1kHz (Inst) Bass: +/-12 dB @ 100 Hz (Inst), +/-12dB @ 50Hz (Mic)	
String Dynamics:	0 to -15dB @ 6.3kHz (Inst)	
Phantom Voltage:	+15V DC (Mic)	
Speaker Complement:	One 8 Ω Fender Special Design 10" Speaker (P/N 051016) One Single Piezo Horn (P/N 049260)	
Dimensions:	Height: 15 3/8"	(39 cm)
	Width: 19 3/8"	(49 cm)
	Depth: 14 5/8"	(37 cm)
Weight:	34 lbs.	(15.4 kg)

Product specifications are subject to change without notice

PRINTED CIRCUIT BOARD ASSEMBLY

QTY	PART #	DESCRIPTION	REFERENCE DESIGNATION
1	0033605003	CAP AE RDL .15uF 50V 20%	C58
1	0037943003	CAP AE RDL .33uF 50V 20%	C12
1	0033606003	CAP AE RDL .47uF 50V 20%	C51
1	0028474003	CAP AE RDL 100uF 25V 20%	C76
1	0028463003	CAP AE RDL 10uF 50V 20%	C67
2	0028458003	CAP AE RDL 1uF 50V 20%	C44,C48
6	0028459003	CAP AE RDL 2.2uF 50V 20%	C5,C24,C43,C61,C65,C102
2	0033607000	CAP AE RDL 2200uF 35V 20%	C74-75
2	0028479003	CAP AE RDL 220uF 25V 20%	C45,C77
2	0028482003	CAP AE RDL 220uF 50V 20%	C40,C68
14	0028467003	CAP AE RDL 22uF 50V 20%	C6,C9,C16,C19-20,C22,C26,C30,C34,
1	0028460003	CAP AE RDL 4.7uF 50V 20%	C4
2	0028471003	CAP AE RDL 47uF 50V 20%	C32,C41
1	0047195003	CAP AE RDL 47uF 63V 20%	C97
10	0034788003	CAP CR .1UF 50V 20% .2" LS	C78-87
4	0051405003	CAP CD 120pF 500V 10%	C17-18,C21,C23
1	0051406003	CAP CD 220pF 500V 10%	C55
2	0051445003	CAP CD 22pF 500V 10%	C14,C47
1	0051407003	CAP CD 390pF 500V 10%	C8
3	0051408003	CAP CD 47pF 500V 10%	C25,C36,C49
2	0051459003	CAP CD 560pF 500V 10%	C1-2
1	0051409003	CAP CD 68pF 500V 10%	C3
2	0041903003	CAP MPF .018uF 100V 10%	C88-89
1	0027264003	CAP MPF .01uF 100V 10%	C93
1	0027267003	CAP MPF .022uF 100V 10%	C71
1	0027270003	CAP MPF .033uF 100V 10%	C90
1	0027275003	CAP MPF .068uF 100V 10%	C100
2	0052003003	CAP MPF .1uF 250V 10%	C91-92
6	0027278003	CAP MPF .1uF 63V 10%	C15,C42,C46,C69-70,C94
1	0053860000	CAP MPF .1uF 250VAC 20%	C73
3	0027281003	CAP MPF .22uF 63V 10%	C35,C96,C98
1	0027283003	CAP MPF .33uF 63V 10%	C64
1	0027285003	CAP MPF .39uF 63V 10%	C62
1	0033579003	CAP PFF RDL .0015uF 100V 10%	C54
2	0030936003	CAP PFF RDL .0022uF 50V 5%	C10-11
3	0033580003	CAP PFF RDL .0022uF 100V 10%	C33,C39,C50
1	0033581003	CAP PFF RDL .0033uF 100V 10%	C27
1	0033582003	CAP PFF RDL .0039uF 100V 10%	C56
2	0033583003	CAP PFF RDL .0047uF 100V 10%	C72,C101
1	0033586003	CAP PFF RDL .0068uF 100V 10%	C7
1	0036234003	CAP PFF RDL .015uF 100V 10%	C37
2	0033590003	CAP PFF RDL .022uF 100V 10%	C13,C31
4	0033591003	CAP PFF RDL .033uF 100V 10%	C28-29,C66,C95
3	0033592003	CAP PFF RDL .047uF 100V 10%	C53,C57,C59

PARTS LIST

PARTS LIST

PRINTED CIRCUIT BOARD ASSEMBLY (CONT)

QTY	PART #	DESCRIPTION	REFERENCE DESIGNATION
7	0034719000	CONTROL 50KB SNAP IN	R8-10,R39,R41,R45,R55 (Inst treb,mid,bass; Mic vol,treb,bass; Reverb)
1	0034720000	CONTROL 100KB SNAP IN	R72 Chorus
1	0049402000	CONTROL 25KB SNAP IN	R5 Inst vol
1	0040985000	CONTROL 250KB SNAP IN	R22 String dynamics
1	0019994000	CONTROL T-POT 100k 20% PC MTG	R86 Chorus bias trimpot
8	0064089001	DIODE 1N4003 LL	D9,D14-19,D25
11	0006260001	DIODE 1N4448 SIGNAL LL	D1-2,D5-8,D10-13,D24
2	0009165001	DIODE ZEN 1N4744A 15V 1W 5%	D20-21
2	0031017001	DIODE ZEN 1N5223B 2.7V 5%	D3-4
12	0025802000	FSTN TAB MALE .250x.032 PCB MT	P1-10,P12-13
3	0026000001	FSTN TAB MALE PCB MT .187X.032	P11,P14-15
2	0051094003	FUSE CLIP PCB 5mm (EXPT)	at F1
6	0031611000	IC DUAL OP AMP PC4560	U2,U5,U7-9,U12
3	0016795000	IC DUAL OP AMP TL072	U1,U4,U6
1	0029672000	IC MN3101 CLOCK GEN/DRIVER	U11
1	0029671000	IC MN3007 BUCKET BRIGADE	U10
1	0027404000	IC CA3080AE OTA	U3
1	0054377000	IC POWER AMP TDA1514A	U13
2	0014689003	XSTR N-CH JFET J111 TO-92	Q4 Q6
1	0016742003	XSTR PNP 2N4403 TO-92	Q1
4	0016739003	XSTR NPN 2N4401 TO-92	Q2-3 Q5,Q7
1	0054378000	INSULATOR MICA 9 PIN SIP	at U13
1	0054374000	HEATSINK PLT TDA1514A	HS1
2	0027638000	SCRW TF 4-40x3/8 HWHS ZI .1"HD	at U13/HS1
2	0032908000	SCRW TF 6-32x3/8 PHP ZI	at HS1/PCB
REF	0025936000	STANDOFF NYL PCB SNAP 3/8" NAT	ST1-4
2	0051658000	JACK MONO R/A	J3-4
1	0053450000	JACK STEREO R/A	J1
1	0051019000	JACK XLR, FEMALE RT ANGLE	J2
2	0048466000	JACK RCA SINGLE PCB MOUNT	J5-6
2	0049948000	LED RED LONG LEAD LUMEX	D22-23 (hand inserted)
2	0036178000	SPACER LED .5x.1 BRN	at D22-23
2	0024937001	RES CF 1/4W 5% 10ohm LL	R127-128
1	0024942001	RES CF 1/4W 5% 22ohm LL	R50
2	0024947001	RES CF 1/4W 5% 47ohm LL	R87-88
2	0024952001	RES CF 1/4W 5% 100ohm LL	R33,R79
1	0024953001	RES CF 1/4W 5% 120ohm LL	R17
1	0029609001	RES CF 1/4W 5% 910ohm LL	R129
4	0024965001	RES CF 1/4W 5% 1k LL	R4,R23,R29,R137
4	0024971001	RES CF 1/4W 5% 2.2k LL	R6-7,R13,R134
1	0024972001	RES CF 1/4W 5% 2.7k LL	R97

PRINTED CIRCUIT BOARD ASSEMBLY (CONT)

QTY	PART #	DESCRIPTION	REFERENCE DESIGNATION
1	0029610001	RES CF 1/4W 5% 3k LL	R16
6	0024973001	RES CF 1/4W 5% 3.3k LL	R38,R40,R42,R53,R70,R78
5	0024977001	RES CF 1/4W 5% 4.7k LL	R1,R43,R51,R111,R136
3	0028034001	RES CF 1/4W 5% 5.1k LL	R81,R91-92
2	0024978001	RES CF 1/4W 5% 5.6k LL	R63,R135
1	0025942001	RES CF 1/4W 5% 7.5k LL	R124
12	0024981001	RES CF 1/4W 5% 10k LL	R47-48,R52,R61,R66-69,R84,R107-108,R130
2	0024985001	RES CF 1/4W 5% 15k LL	R44,R46
5	0024986001	RES CF 1/4W 5% 18k LL	R71,R80,R94-96
5	0024987001	RES CF 1/4W 5% 22k LL	R18-20,R64,R101
3	0024988001	RES CF 1/4W 5% 27k LL	R57-58,R105
1	0028865001	RES CF 1/4W 5% 30k LL	R11
1	0024989001	RES CF 1/4W 5% 33k LL	R74
10	0024993001	RES CF 1/4W 5% 47k LL	R21,R62,R73,R76,R99-100,R113-114,R125-126
1	0024995001	RES CF 1/4W 5% 68k LL	R77
12	0024997001	RES CF 1/4W 5% 100k LL	R3,R28,R49,R56,R60,R65,R83,R85,R89-90,
1	0025058001	RES CF 1/4W 5% 180k LL	R30
1	0025059001	RES CF 1/4W 5% 220k LL	R12
3	0025061001	RES CF 1/4W 5% 330k LL	R82,R93,R117
8	0025065001	RES CF 1/4W 5% 470k LL	R24,R26,R54,R75,R106,R109,R132-133
1	0025067001	RES CF 1/4W 5% 680k LL	R102
1	0025069001	RES CF 1/4W 5% 1M LL	R98
2	0025071001	RES CF 1/4W 5% 1.2M LL	R25,R131
1	0025075001	RES CF 1/4W 5% 2.2M LL	R123
3	0025079001	RES CF 1/4W 5% 4.7M LL	R27,R103-104
1	0025084001	RES CF 1/4W 5% 10M LL	R2
4	0031819001	RES MF 1/4W 1% 1.82k LL	R31-32,R34,R36
1	0015582001	RES MF 1/4W 1% 10.0k LL	R14
2	0031818001	RES MF 1/4W 1% 18.2k LL	R35,R37
1	0025816001	RES MF 1/4W 1% 20.0k LL	R15
2	0026549001	RES CF 1/2W 5% 1.5k LL	R59,R120
1	0030737001	RES CF 1/2W 5% 5.6ohm LL	R118
1	0036351001	RES MOX 2W 5% 100ohm LL	R121
1	0028022001	RES MOX 2W 5% 120ohm LL	R122
2	0027628001	RES MOX 2W 5% 47ohm LL	R115,R119
1	0029670000	RES WW 5W 10% 150ohm	R116
3	0028091000	SWITCH PUSH SLFLK SHORT STROKE	S1-3 (rev. sel.; chrs. sel.; phase sel)
3	0048451000	BUTTON PUSH OFF WHITE	at S1-3
1	0055708000	PCB, ACOUSTASONIC 30	

PARTS LIST

PARTS LIST

CHASSIS ASSEMBLY

QTY	PART #	DESCRIPTION	REFERENCE DESIGNATION
1	0025722000	CABLE REVERB 1100mm	REVERB PAN CABLE
1	0055702000	CHASSIS ACOUSTASONIC 30	
1	0054642000	CONNECTOR, IEC SNAP-IN	
1	0048381000	FUSE QA 20mmX5mm 250V 1A CSA	100V/120V
1	0020786000	FUSE QA 20mmX5mm 250V .500A	230V/240V
10	0055758000	KNOB, BR W/CHR 180 DEG.	@ CONTROLS
10	0033206000	BUSHING KNOB SPACER	@ CONTROLS
1	0055703000	PANEL FRONT ACOUSTASONIC 30	
1	0055704000	PANEL REAR ACOUSTASONIC 30	
4	0069393000	NUT 6-32 HEX EXT LOCK	@ XFMR
4	0028937000	SCRW TF 6-32x5/8 PHP ZI TAPTYT	
4	0025936000	STANDOFF NYL PCB SNAP 3/8" NAT	
1	0034885000	HEATSINK BAR RD/HT/JM/CHMP110	CHMP110 STYLE
2	0028500000	SCRW TF 8-32x3/4 HWH SLTD Z1	@ HEATSINK
3	0053479000	NUT HEX 7/16 20x1/8 NI	@ 1/4 JACKS
3	0028501000	WSHR FLAT .477x.625 NI	@ 1/4 JACKS
2	0051155000	SCRW SMB #4x3/8 PHP BLX	@ XLR CONN
1	0021568000	SCRW TF 6-32x3/16 PHP ZI	@ GROUND LUG
1	0055707000	PCB ASSY ACOUSTASONIC 30	
1	0025935000	SWITCH DPST .187 TAB (DOM)	
1	0033613000	XFMR PWR 120V	DOMESTIC
1	0040611000	XFMR PWR CHMP110/BXR25 230V	EXPORT

CABINET ASSEMBLY

QTY	PART #	DESCRIPTION	REFERENCE DESIGNATION
	0027648000	ALUMINUM FOIL SHIELD 6.75"x5.00"	
0.26	0036797000	GRILLE CLOTH, TAN (SY)	
1	0032524000	INSERT HANDLE	
2	0025395000	HANDLE CAP 1 HOLE NI	
1	0037121000	HANDLE STRAP, BROWN	
2	0029071000	CORNER NOTCHED NICKEL (FD)	
8	0019276000	GLIDE CAB 1.24x.335 NI	
8	0019275000	INSERT GLIDE CUSHION 1.27 DIA	

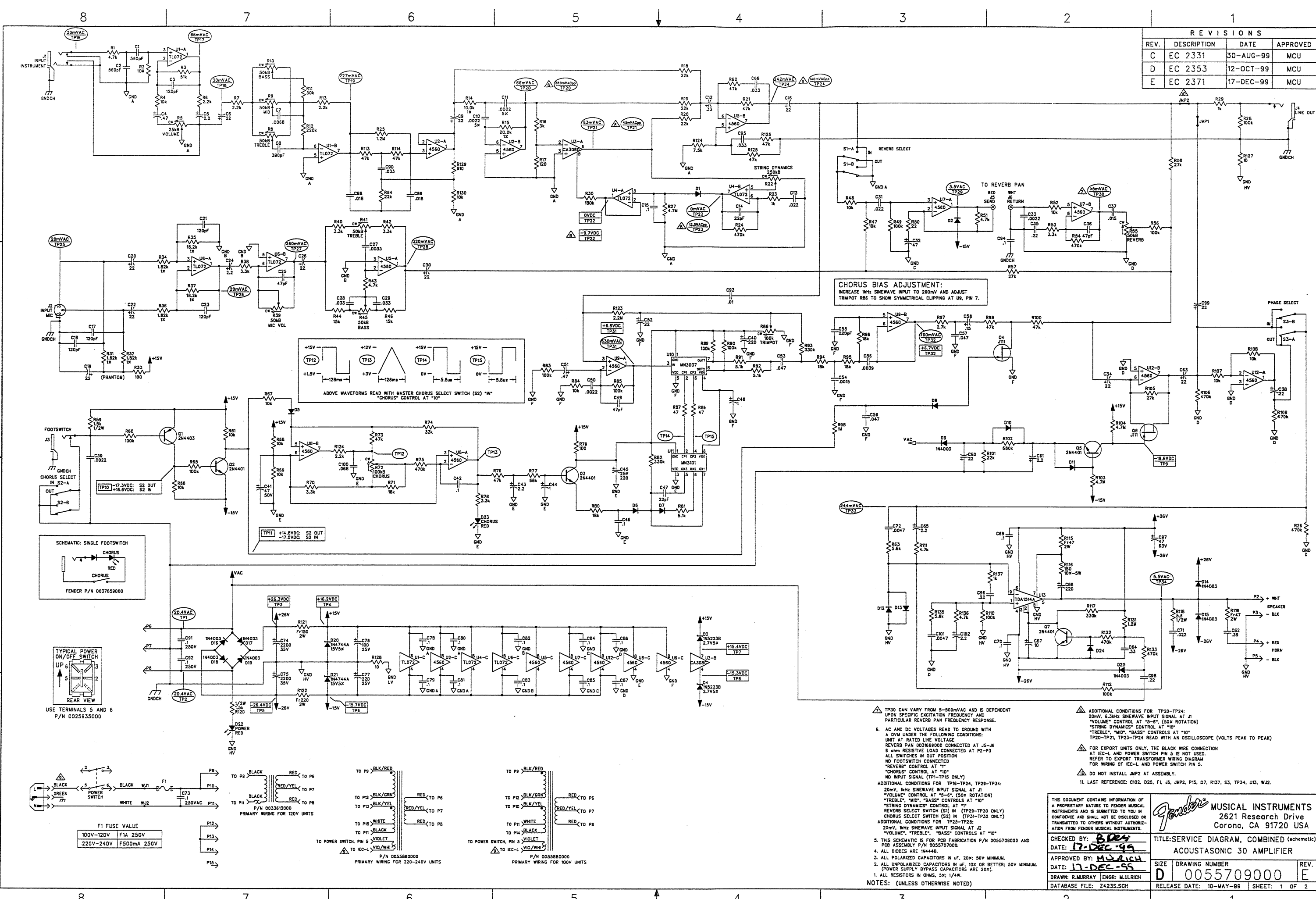
CABINET ASSEMBLY (CONT)

QTY	PART #	DESCRIPTION	REFERENCE DESIGNATION
6	0021972000	NUT T 10-32x3/4 STR 3 PRNG BLX	
2	0022244000	SCRW M 10-32x1-1/8 OHP NI	
6	0026625000	SCRW WOOD 8x1 FH	
4	0026571000	SCRW SMAB 8x5/8 THP NI	
1.44	0036796000	TOLEX BROWN COVERING (SY)	
	0029085000	VELCRO STRIP LOOP 1.5" WD BLK	ON GRILLE
	0029086000	VELCRO STRIP LOOP 1.5" WD BLK	ON BAFFLE

END ITEM ASSEMBLY

QTY	PART #	DESCRIPTION	REFERENCE DESIGNATION
1	0055710000	CHASSIS ASSY ACST. 30 120V	
1	0055711000	CHASSIS ASSY ACST. 30 240V AUST	
1	0055712000	CHASSIS ASSY ACST. 30 230V UK	
1	0055713000	CHASSIS ASSY ACST. 30 230V	
1	0055714000	CHASSIS ASSY ACST. 30 100V	
1	0054812000	CAB ASSY ACOUSTASONIC 30	
1	0051016000	SPEAKER 8" 8 OHM HIFI (099-4808-003)	
1	0049260000	HORN CERAMIC PIEZO KXR 60	
1	0047248000	CORD PWR W/IEC CONN DOM	DOMESTIC
1	0047250000	CORD PWR W/IEC CONN AUST	240V
1	0047249000	CORD PWR W/IEC CONN UK	230V U.K.
1	0047251000	CORD PWR W/IEC CONN EURO	230V
1	0053997000	CORD PWR W/IEC CONN JPN	100V
4	0053483000	SCRW 8-32x1-3/8 OHP W/WSHR NI	CAB/CHASSIS
4	0026577000	SCRW M 10-32x1 PHP BLX	AT 8" SPEAKER
4	9904101110	SCRW PB 8x5/8 PHP BLX	AT HORN
1	0050850000	NAMEPLATE VINTAGE PLASTIC SMALL	
2	0051621000	SCRW SMA 2x9/16 FHP NI	
1	0055699000	NAMEPLATE ACOUSTASONIC 30	
0.01	0036650000	PIN ESCUTCHEON #18x3/8 NI	
1	0031669000	REVERB UNIT 800 ohm 8EB2C1D	
4	0029821000	EYELET RFLNGD .215 OD x .315 LG	
4	0029828000	SCRW PB 8x3/4 PHP ZI	

REVISIONS			
REV.	DESCRIPTION	DATE	APPROVED
C	EC 2331	30-AUG-99	MCU
D	EC 2353	12-OCT-99	MCU
E	EC 2371	17-DEC-99	MCU



- △ TP30 CAN VARY FROM 5-500VAC AND IS DEPENDENT UPON SPECIFIC EXCITATION FREQUENCY AND PARTICULAR REVERB PAN FREQUENCY RESPONSE.
6. AC AND DC VOLTAGES READ TO GROUND WITH A DVM UNDER THE FOLLOWING CONDITIONS:
 UNIT AT RATED LINE VOLTAGE
 REVERB PAN 0031669000 CONNECTED AT J5-J6
 8 OHM RESISTIVE LOAD CONNECTED AT P2-P3
 ALL SWITCHES IN OUT POSITION
 NO FOOTSWITCH CONNECTED
 REVERB CONTROL AT "0"
 CHORUS CONTROL AT "0"
 NO INPUT SIGNAL (TP1-TP15 ONLY)
- ADDITIONAL CONDITIONS FOR TP16-TP24, TP28-TP34:
 20mV, 1kHz SINEWAVE INPUT SIGNAL AT J1
 VOLUME CONTROL AT "5-6" (50X ROTATION)
 TREBLE, *MID*, *BASS* CONTROLS AT "10"
 STRING DYNAMICS CONTROL AT "10"
 REVERB SELECT SWITCH (S1) IN (TP23-TP30 ONLY)
 CHORUS SELECT SWITCH (S2) IN (TP31-TP32 ONLY)
- ADDITIONAL CONDITIONS FOR TP25-TP28:
 20mV, 1kHz SINEWAVE INPUT SIGNAL AT J2
 VOLUME, *TREBLE*, *BASS* CONTROLS AT "10"
- △ ADDITIONAL CONDITIONS FOR TP20-TP24:
 20mV, 6.3kHz SINEWAVE INPUT SIGNAL AT J1
 VOLUME CONTROL AT "5-6" (50X ROTATION)
 TREBLE, *MID*, *BASS* CONTROLS AT "10"
 STRING DYNAMICS CONTROL AT "10"
 REVERB CONTROL AT "0"
- △ FOR EXPORT UNITS ONLY, THE BLACK WIRE CONNECTION AT IEC-L AND POWER SWITCH PIN 5 IS NOT USED. REFER TO EXPORT TRANSFORMER WIRING DIAGRAM FOR WIRING OF IEC-L AND POWER SWITCH PIN 5.
- △ DO NOT INSTALL JMP2 AT ASSEMBLY.
1. LAST REFERENCE: C102, D25, F1, JE, JMP2, P15, Q7, R137, S3, TP34, U13, WJ2.

THIS DOCUMENT CONTAINS INFORMATION OF A PROPRIETARY NATURE TO FENDER MUSICAL INSTRUMENTS AND IS SUBMITTED TO YOU IN CONFIDENCE AND SHALL NOT BE DISCLOSED OR TRANSMITTED TO OTHERS WITHOUT AUTHORIZATION FROM FENDER MUSICAL INSTRUMENTS.

Fender MUSICAL INSTRUMENTS
 2621 Research Drive
 Corona, CA 91720 USA

CHECKED BY: *B. Deas*
 DATE: 17-DEC-99

APPROVED BY: *M. Ulrich*
 DATE: 17-DEC-99

DRAWN: R. MURRAY ENGR: M. ULRICH
 DATABASE FILE: 24235.SCH

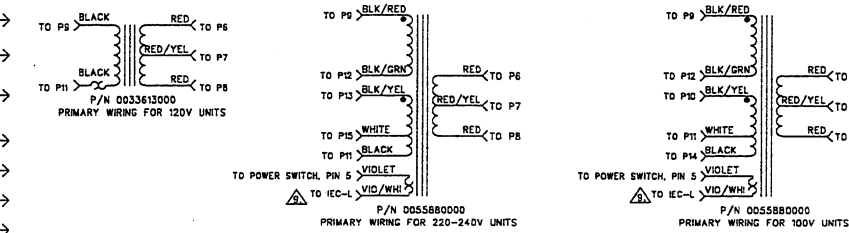
TITLE: SERVICE DIAGRAM, COMBINED (schematic)
 ACOUSTASONIC 30 AMPLIFIER

SIZE: DRAWING NUMBER
D 0055709000

REV. **E**

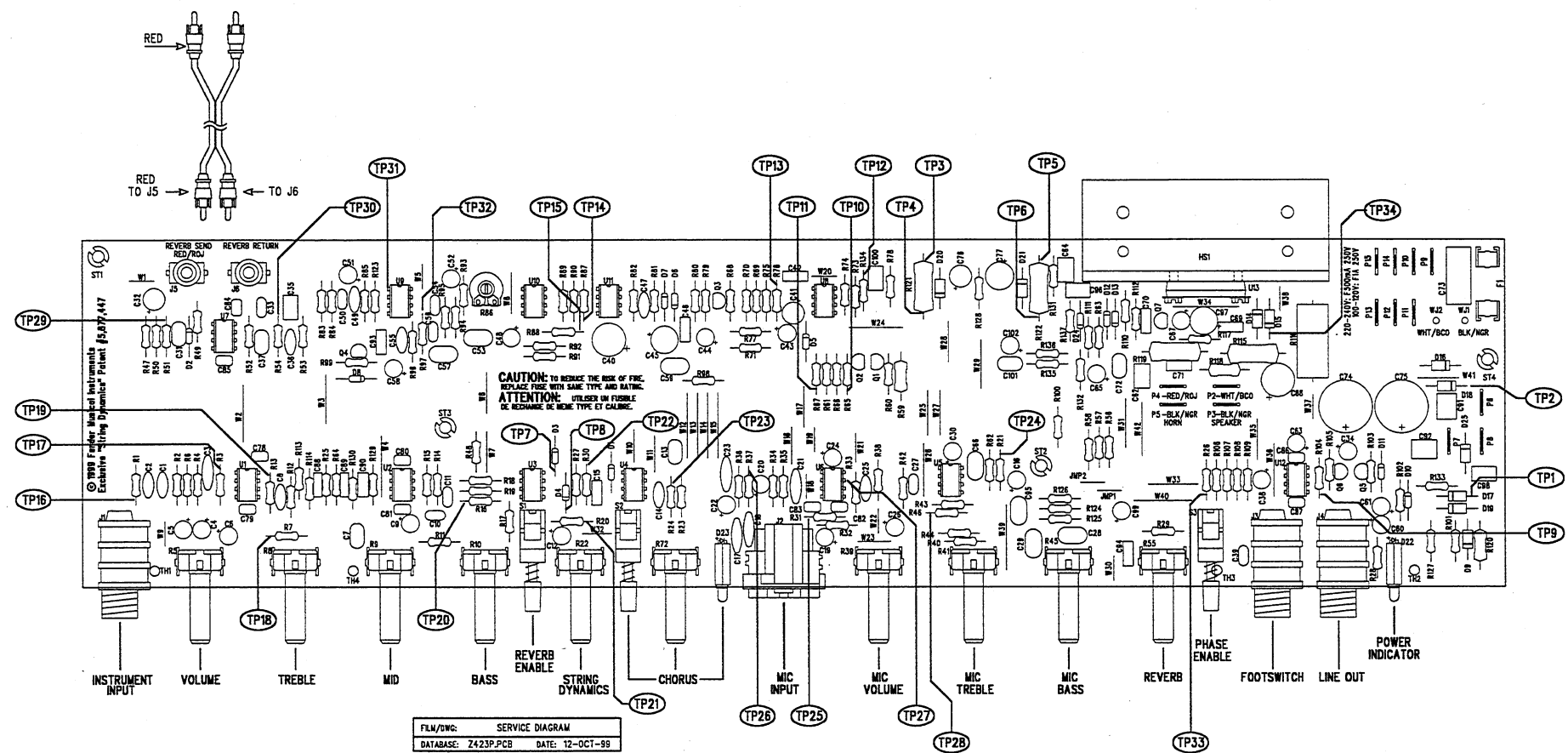
RELEASE DATE: 10-MAY-99 SHEET: 1 OF 2

F1 FUSE VALUE	
100V-120V	F1A 250V
220V-240V	F500mA 250V



REVISIONS			
REV.	DESCRIPTION	DATE	APPROVED
A	PR 423	10-MAY-99	MCU
B	EC 2319	02-AUG-99	MCU
C	EC 2331	30-AUG-99	MCU
D	EC 2353	12-OCT-99	MCU
E	EC 2371	17-DEC-99	MCU

CONNECT TO REVERB PAN P/N 0031669000
TO REVERB PAN "IN" TO REVERB PAN "OUT"



FLM/DWG: SERVICE DIAGRAM
DATABASE: Z423P.PCB DATE: 12-OCT-99

THIS DOCUMENT CONTAINS INFORMATION OF A PROPRIETARY NATURE TO FENDER MUSICAL INSTRUMENTS AND IS SUBMITTED TO YOU IN CONFIDENCE AND SHALL NOT BE DISCLOSED OR TRANSMITTED TO OTHERS WITHOUT AUTHORIZATION FROM FENDER MUSICAL INSTRUMENTS.

CHECKED BY: *BLen*
DATE: 17-DEC-99

APPROVED BY: *MJL*
DATE: 17-DEC-99

DRAWN: RMURRAY ENGR: MJL
DATABASE FILE: Z423P.PCB

Fender MUSICAL INSTRUMENTS
2621 Research Drive
Corona, CA 91720 USA

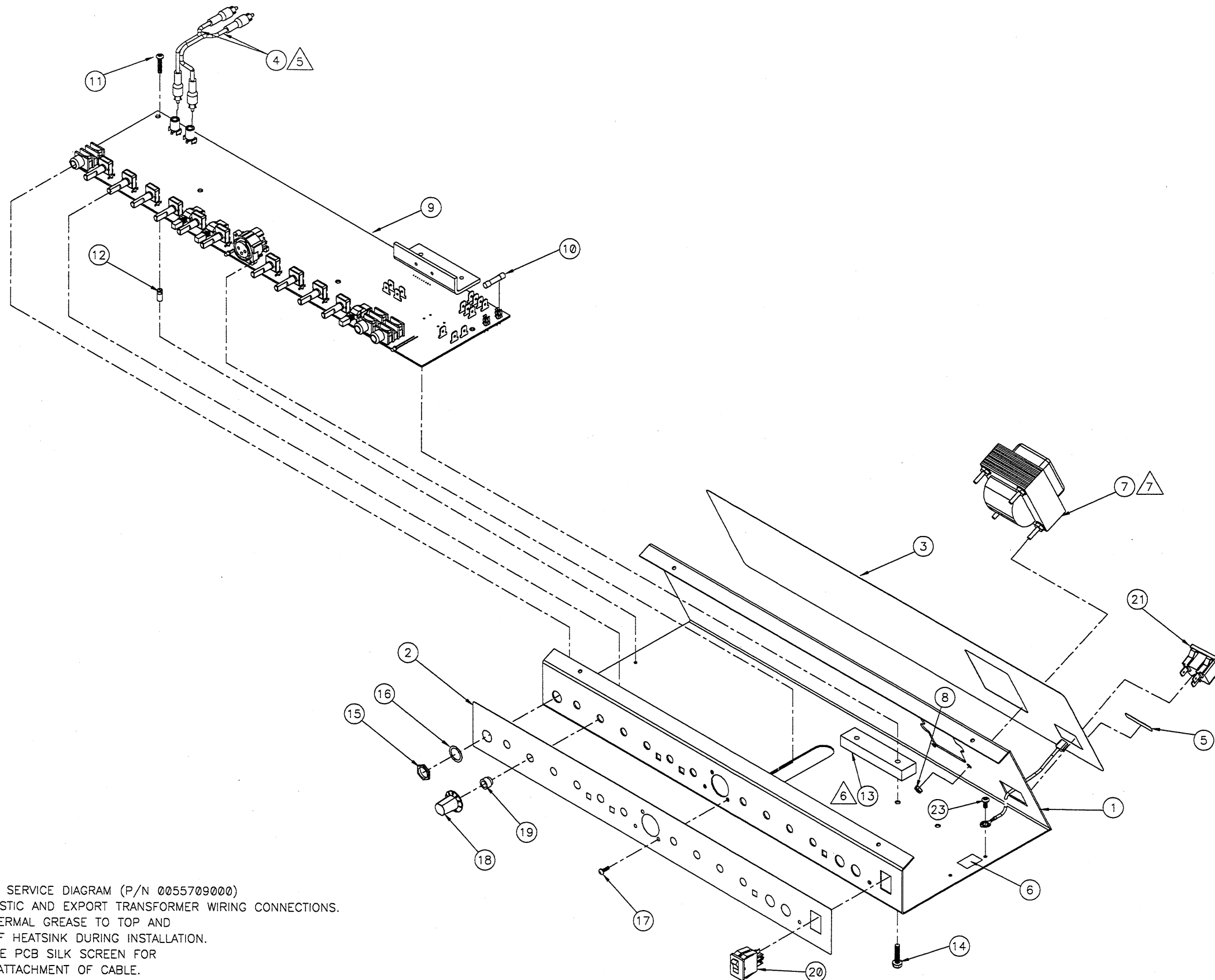
TITLE: SERVICE DIAGRAM, COMBINED (PCB assy)
ACOUSTASONIC 30 AMPLIFIER

SIZE: D DRAWING NUMBER: 0055709000
RELEASE DATE: 10-MAY-99 SHEET 2 OF 2

REV. E

1. SEE SHEET 1 FOR PRIMARY WIRING, SWITCH DETAIL, TEST CONDITIONS, TEST POINT VALUES AND CHORUS BIASING PROCEDURE.
NOTES: (UNLESS OTHERWISE NOTED)

REV	EC NUMBER	BY	DATE/CHK
A	PR 423	BW	5/11/99
B	EC 2331 - CHG P/N FOR XFMR, ADD NEW P/N FOR WIRE SET	BW	9/3/99
C	MEC 277 CHG. ITEM 23 UPDATE BORDER	JR	07/12/2000



N.S. = NOT SHOWN

23	1	0038900000	SCRW TF 6-32X1/4 PHP ZI
22	1	SEE MATRIX	WIRE SET CHASSIS (N.S.)
21	1	0054642000	CONNECTOR IEC SNAP IN
20	1	0025935000	SWITCH DPST .187 TAB (DOM)
19	10	0033206000	BUSHING KNOB SPACER
18	10	0055758000	KNOB BR W/CHR 180 DEG
17	2	0051155000	SCRW SMB #4 X 3/8 PHP BLX
16	3	0053480000	WASHER FLAT .442 X.692 NI
15	3	0053479000	NUT HEX 7/16 - 20 x 1/8 NI
14	2	0028500000	SCRW TF 8-32 x 3/4 HWH SLTD Z1
13	1	0034885000	HEATSINK BAR RD/HT/JM/CHMP110
12	4	0025936000	STANDOFF NYL PCB SNAP 3/8" NAT
11	4	0028937000	SCRW TF 6-32 x 5/8 PHP ZI TAPTYT
10	1	SEE MATRIX	FUSE QA 20mm x 5mm
9	1	0055707000	PCB ASSY ACOUSTASONIC 30
8	4	0069393000	NUT 6-32 HEX EXT LOCK
7	1	SEE MATRIX	XFMR PWR
6	1	0013020000	LABEL GROUNDING SEMKO
5	1	SEE MATRIX	LABEL VOLTAGE
4	1	0025722000	CABLE REVERB 1100mm
3	1	0055704000	PANEL REAR ACOUSTASONIC 30
2	1	0055703000	PANEL FRONT ACOUSTASONIC 30
1	1	0055702000	CHASSIS ACOUSTASONIC 30

- △7 REFER TO SERVICE DIAGRAM (P/N 0055709000) FOR DOMESTIC AND EXPORT TRANSFORMER WIRING CONNECTIONS.
 - △6 APPLY THERMAL GREASE TO TOP AND BOTTOM OF HEATSINK DURING INSTALLATION.
 - △5 REFERENCE PCB SILK SCREEN FOR CORRECT ATTACHMENT OF CABLE.
 - 4. COPYRIGHT - 2000 - FENDER MUSICAL INSTRUMENTS CORP.
 - 3. - 3 - SAMPLES OF FIRST PARTS MUST BE APPROVED BY FENDER R&D BEFORE STARTING PRODUCTION.
 - 2. ALL DIMENSIONS ARE IN INCHES.
 - 1. DO NOT SCALE DRAWING.
- NOTES: UNLESS OTHERWISE NOTED

ITEM	QTY.	PART NO.	DESCRIPTION
△7	22	WIRE SET	0055705000 0055876000 0055876000 0055876000 0055876000
	10	FUSE	0048381000 0020786000 0020786000 0020786000 0048381000
	7	XFMR	0033613000 0055880000 0055880000 0055880000 0055880000
	5	LABEL VOLTAGE	NONE 0050506000 0050505000 0050505000 0050507000
		CHASSIS ASSY.	0055710000 0055711000 0055712000 0055713000 0055714000
			DOM 120V ACOUSTASONIC 30 AUS 240V ACOUSTASONIC 30 UK 230V ACOUSTASONIC 30 EUR 230V ACOUSTASONIC 30 JAPAN 100V ACOUSTASONIC 30

ENGINEER
ULRICH

DRAWN
WIELOPOLSKA

DATE
3/8/99

DFT. ENG. ENG.
3/1/00

DATE DATE DATE
7/13/00 7/13/00

APPROVED
MULRICH

DATE
07-13-00

TITLE
CHASSIS ASSEMBLY ACOUSTASONIC 30

SHEET 1/1
SCALE N/A

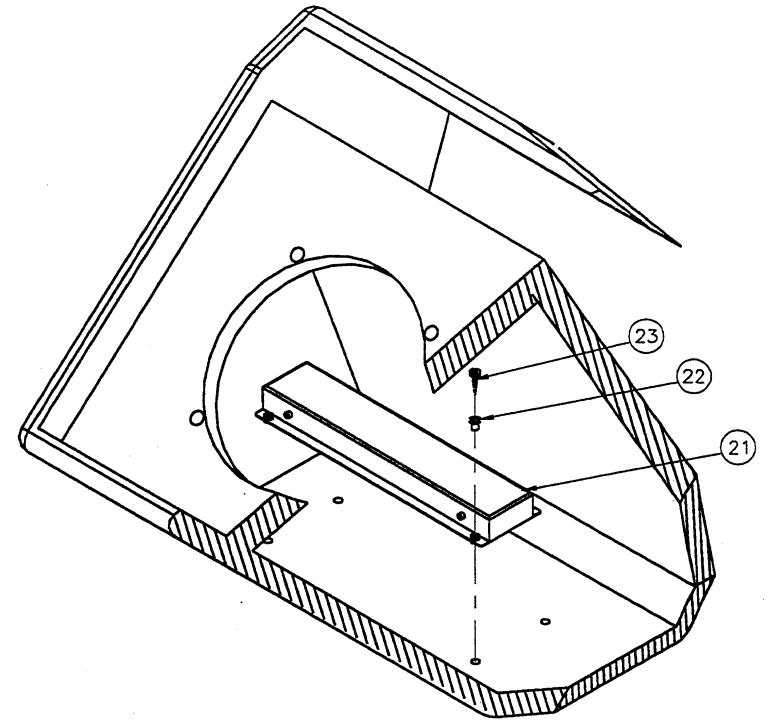
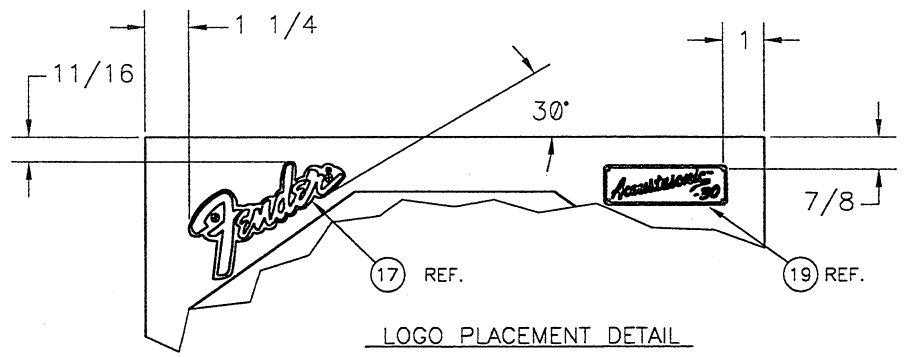
SIZE D

DRAWING NUMBER
0055710000

REV. C

MASTER/ASSEMBLY

REV	EC NUMBER	BY	DATE/REVISED
A	PR 423	BW	4/27/99
B	PR 2343 ADD ITEM 27 & 28 REPLACE 15	JR	11/02/99



BLACK WIRE TO "-"
(CONECTAR CABLE NEGRO A LA TERMINAL NEGATIVA "-")
WHITE WIRE TO "+"
(CONECTAR CABLE BLANCO A LA TERMINAL POSITIVA "+")

BLACK WIRE TO "-"
(CONECTAR CABLE NEGRO A LA TERMINAL NEGATIVA "-")
RED WIRE TO "+"
(CONECTAR CABLE ROJO A LA TERMINAL POSITIVA "+")

5. GRILLE ASSEMBLY (0054812009) IS PART OF CABINET ASSEMBLY (0054812000).

- 4. COPYRIGHT - 1999 - FENDER MUSICAL INSTRUMENTS CORP.
 - 3. - 3 - SAMPLES OF FIRST PARTS MUST BE APPROVED BY FENDER R&D BEFORE STARTING PRODUCTION.
 - 2. ALL DIMENSIONS ARE IN INCHES.
 - 1. DO NOT SCALE DRAWING.
- NOTES: UNLESS OTHERWISE NOTED

MATRIX

REGISTRATION CARD	24	1	0054387000	NONE	NONE	NONE	NONE
TAG WARRANTY	9	1	0053412000	NONE	NONE	NONE	NONE
CORD PWR W/IEC	7	1	0047248000	0047250000	0047249000	0047251000	0053997000
CHASSIS ASSY.	1	1	0055710000	0055711000	0055712000	0055713000	0055714000
COMPONENT & ITEM NO.	QTY.		0221303000 DOM 120V ACOUSTASONIC 30	0221333000 AUST 240V ACOUSTASONIC 30	0221343000 UK 230V ACOUSTASONIC 30	0221363000 EUR. 230V ACOUSTASONIC 30	0221373000 JAPAN 100V ACOUSTASONIC 30

N.S. = NOT SHOWN

28	A/R	0055718000	FLEX FOAM PART "B" (N.S.)
27	A/R	0055717000	FLEX FOAM PART "A" (N.S.)
26	1	0029816000	LABEL SERIAL MEXICO
25	1	9903311400	BAG JIFFY #1 7-1/4 x 12 (N.S.)
24	1	SEE MATRIX	REGISTRATION CARD (N.S.)
23	4	0029828000	SCRW PB 8x3/4 PHP ZI
22	4	0029821000	EYELET RFLNGD .215 OD x.315 L
21	1	0031669000	REVERB UNIT 800 ohm BEB2C1D
20	4	0036650000	PIN ESCUTCHEON #18x3/8 NI
19	1	0055699000	NAMEPLATE ACOUSTASONIC 30
18	2	0051621000	SCRW SMA 2X9-16 FHP NI
17	1	0050850000	NAMEPLATE VINTAGE PLASTIC SMALL
16	1	0055701000	CARTON ACOUSTASONIC 30 (N.S.)
15	A/R	0055719000	INSTAMATE PACK FILM (N.S.)
14	1	0010032000	BAG POLY BOX BTM 23x17x40 .002 (N.S.)
13	1	9903320000	BAG POLY ZIP 10x13 2M (N.S.)
12	1	0055709000	COMB SVC DIAG ACOUSTASONIC 30 (N.S.)
11	1	0055700000	MANUAL OWNERS ACOUSTASONIC 30 (N.S.)
10	1	0053454000	STICKER BUMPER FEND SINCE 1946 (N.S.)
9	1	SEE MATRIX	TAG WARRANTY 5 YR FENDER-NEW (N.S.)
8	4	0053483000	SCRW 8-32x1-3/8#6 OHPW/WSHR NI
7	1	SEE MATRIX	CORD PWR W/IEC CONN (N.S.)
6	4	9904101110	SCREW PB 8x5/8 PHP BLX
5	4	0026577000	SCRW M 10-32x1 PHP BLX
4	1	0049260000	HORN CERAMIC PIEZO KXR 60
3	1	0051016000	SPKR B" B OHM HI FI(099-4808-003)
2	1	0054812000	CAB ASSY ACOUSTASONIC 30
1	1	SEE MATRIX	CHASSIS ASSY ACST. 30

ENGINEER: M. ULRICH
 DRAWN: BEATA W.
 DATE: 4/7/99
 DFT. ENG. LENG. DATE: 4/27/99
 APPROVED: M. Ulrich DATE: 03 Nov 99

Fender
 FENDER MUSICAL INSTRUMENTS CORP.
 CORONA, CALIFORNIA 91720

TITLE: END ITEM, ACOUSTASONIC 30

SHEET	SIZE	DRAWING NUMBER	REV.
1/1	D	0221303000	B
SCALE	N/A	ASSY./MASTER	