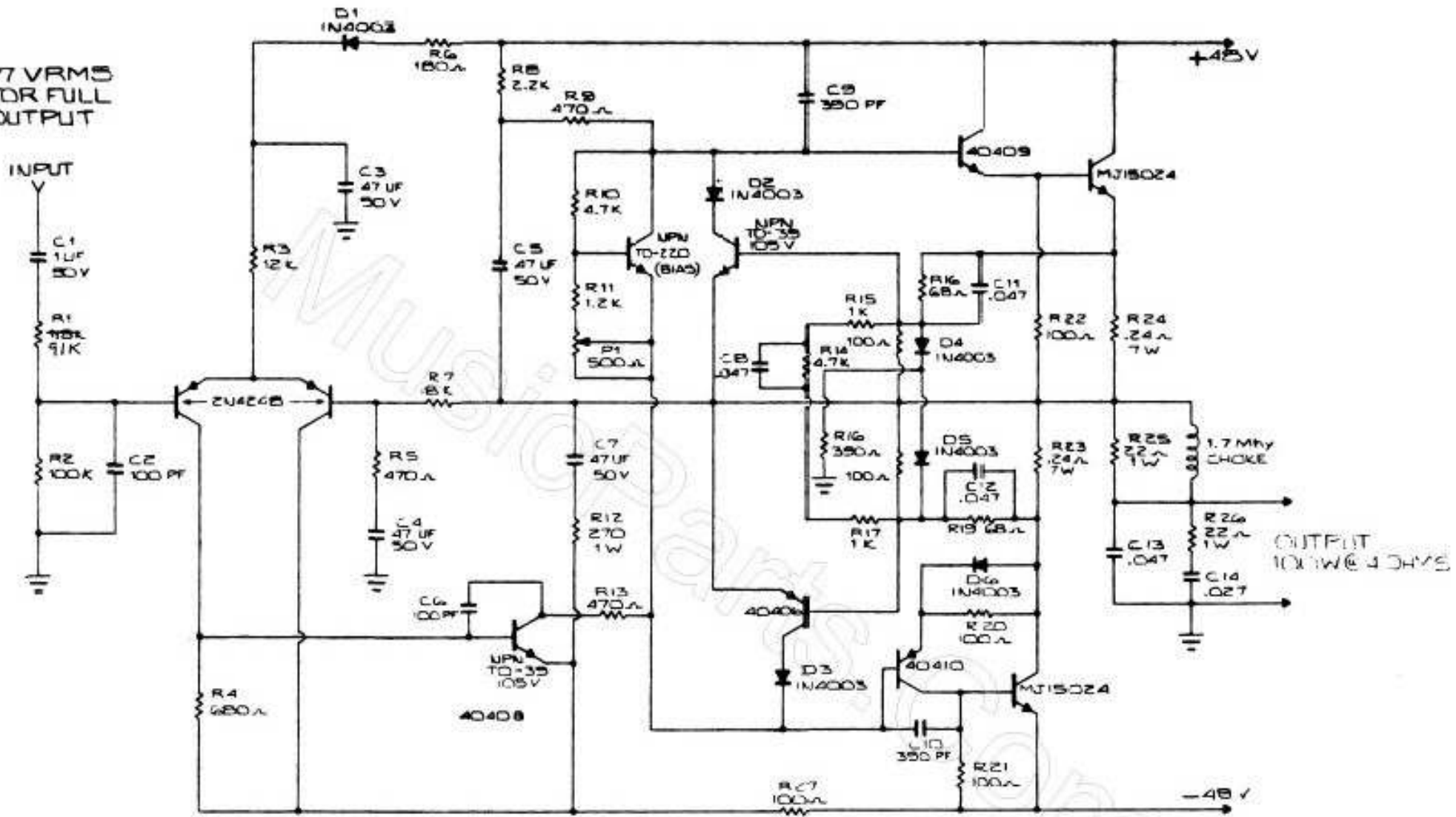


.7 VRMS
FOR FULL
OUTPUT



BY	DATE	acoustic control corp van nuys, california 91406	
DRAWN R. MUGLINO	5-21-80		
CHECKED			
APPROVED		TITLE SCHEMATIC POWER AMP P.C.B. MODEL 122	
PROPRIETARY INFORMATION		SIZE	DRAWING NO.
ALL INFORMATION CONTAINED IN THIS DOCUMENT IS THE PROPERTY OF acoustic control corp. AND IS NOT TO BE DIVULGED OR EMPLOYED IN ANY WAY WITHOUT SPECIFIC APPROVAL FROM acoustic control corp.		C	3
		PART NO.	REV
		1771	
		DO NOT SCALE THIS PRINT	