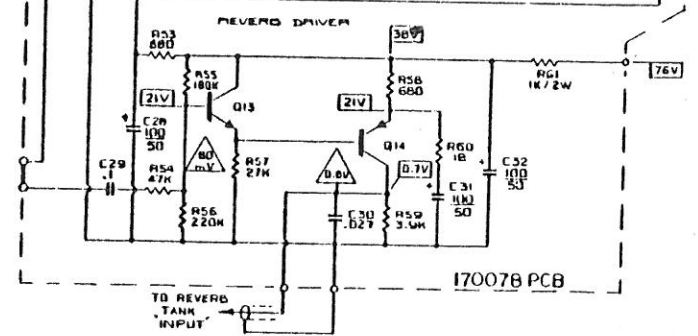
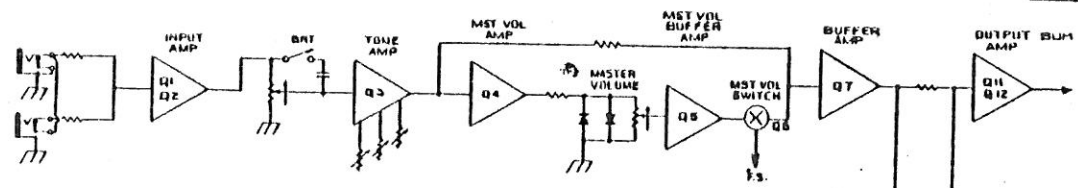
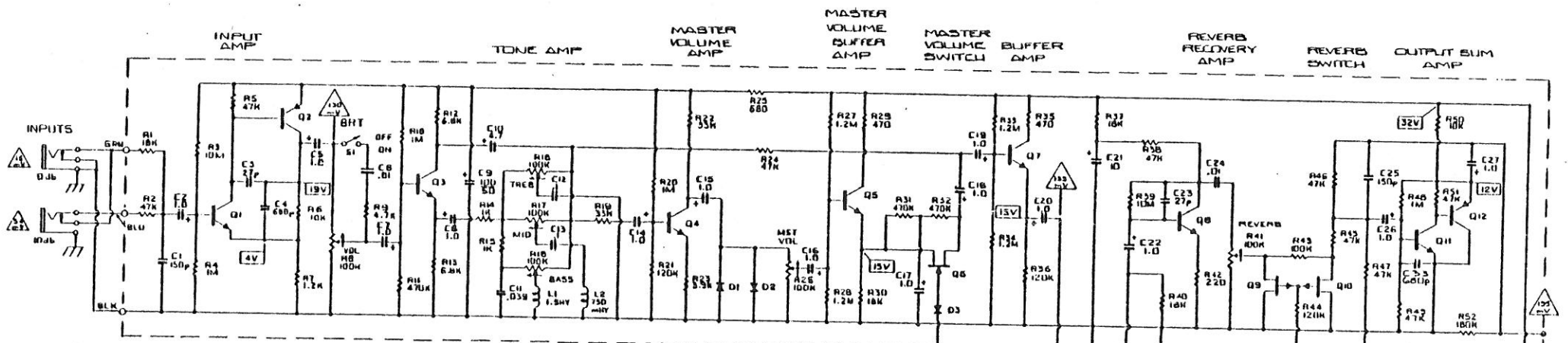


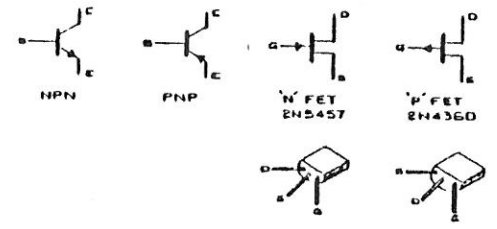
REFERANCE DRAWINGS

- 01601 - PREAMP
- 01575 - EQUALIZER
- 01571 - POWER AMP
- 01592 - POWER AMP
- 01613 - POWER SUPPLY
- 01594 - MASTER SCHEMATIC

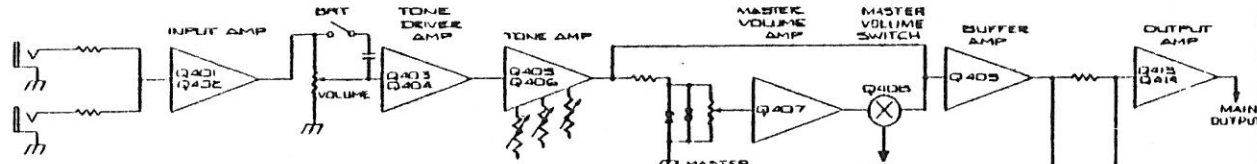
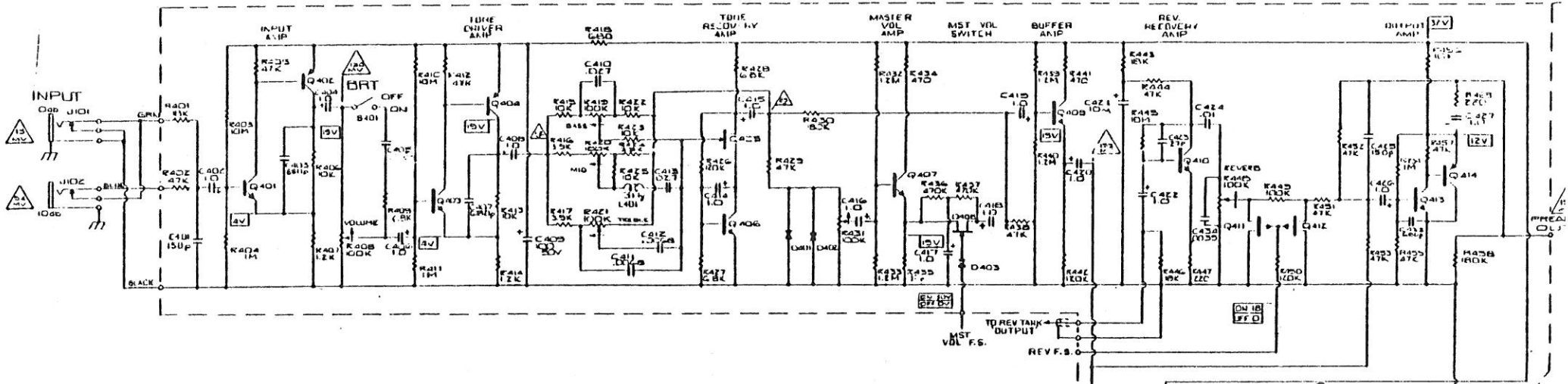
BY	DATE	<b>acoustic control corp</b> van nuys, california 91406
DRAWN R. ANGUINO	8-18-77	
CHECKED		
APPROVED <i>[Signature]</i>	8/21/77	<b>TITLE</b> BLOCK SCHEMATIC MODELS 124/125
<b>PROPRIETARY INFORMATION</b> ALL INFORMATION CONTAINED IN THIS DOCUMENT IS THE PROPERTY OF acoustic control corp. AND IS NOT TO BE DIVULGED OR EMPLOYED IN ANY WAY WITHOUT SPECIFIC APPROVAL FROM acoustic control corp.		
SIZE	DRAWING NO.	REV
C	3	
PART NO. 1622		



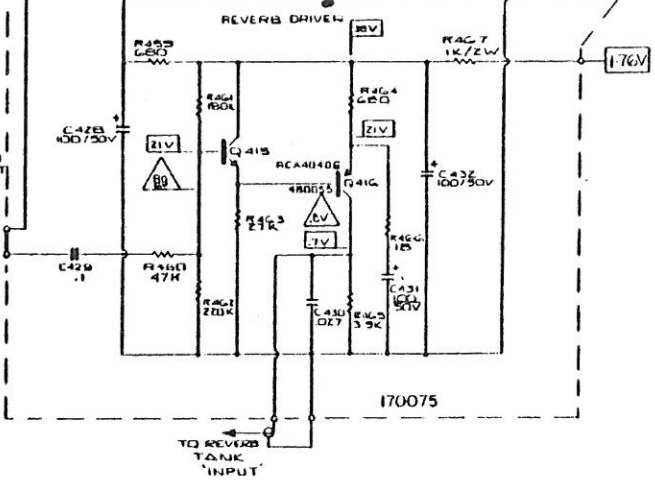
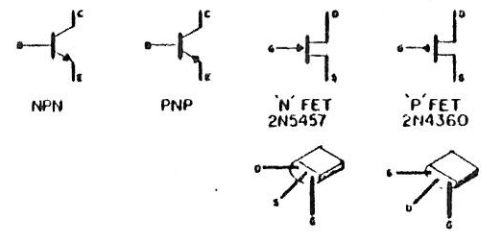
- NOTES UNLESS OTHERWISE NOTED
- 1 ALL RESISTORS ARE IN OHMS 1/2W 5%
  - 2 ALL CAPACITORS ARE IN MFD
  - 3 ALL DIODES ARE 4000B3 IN914
  - 4 ALL NPN TRANSISTORS ARE 480023 2N2484
  - 5 ALL PNP TRANSISTORS ARE 480032 2N4248
  - 6 ALL 'N' FETS ARE 480024 2N5457
  - 7 ALL 'P' FETS ARE 480033 2N4360
  - 8  $\square$  DC VOLTS FROM GROUND USING VTVM
  - 9  $\triangle$  AC VOLTS FROM GROUND USING ACVTVM
  - 10 Q11 IS 480035 HCA40408
  - 11 LAST COMPONENT DESIGNATION
  - 12 R51-C33-Q14-D3-L2-D1



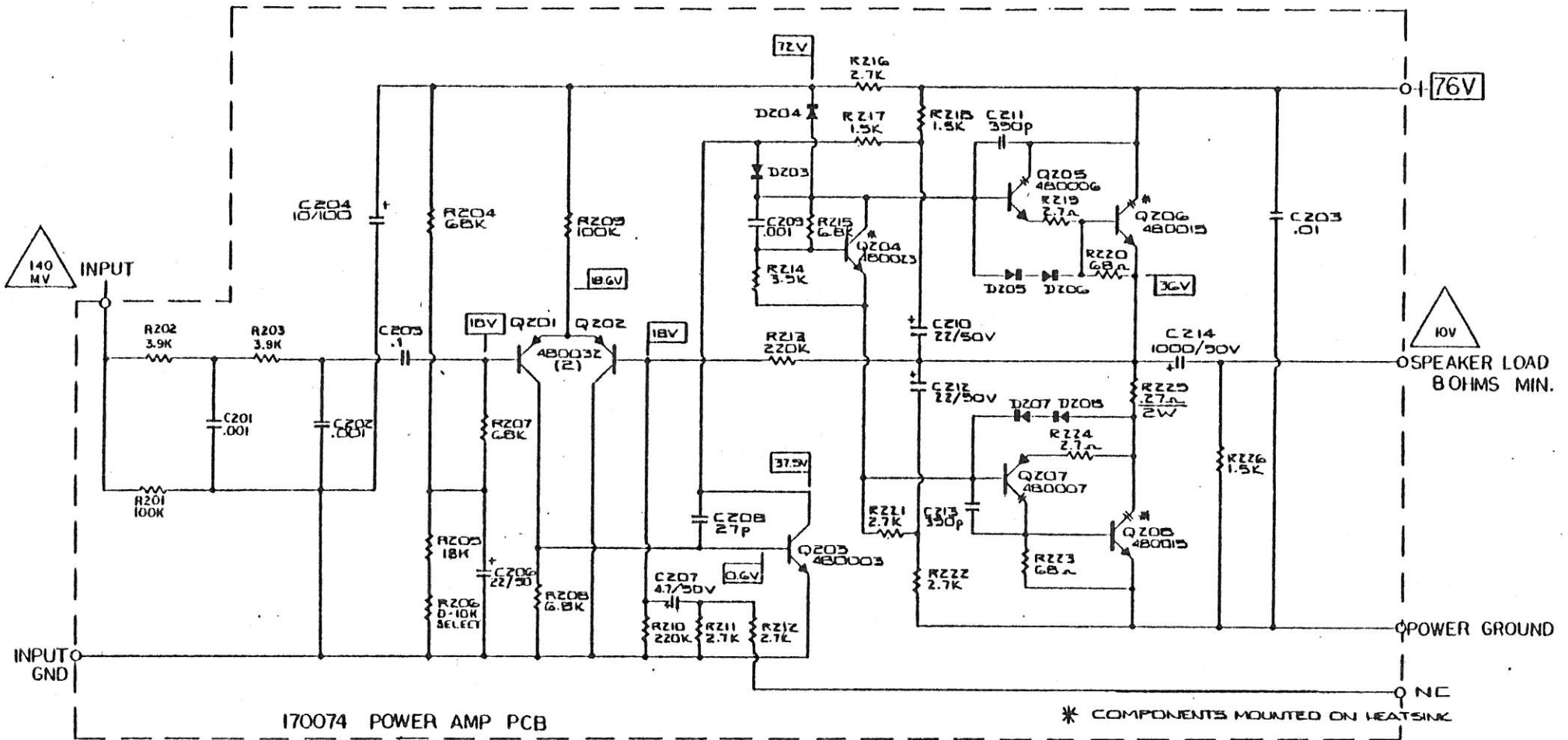
DRAWN BY		DATE	ADDED C33 AND CHOD NOTE 11	17 18 77-92A
CHECKED		5-2-77	<b>acoustic control corp</b> van Nuys, California 91406	
APPROVED		CLT		
PROPRIETARY INFORMATION				
ALL INFORMATION CONTAINED IN THIS DOCUMENT IS THE PROPERTY OF ACOUSTIC CONTROL CORP. AND IS NOT TO BE REPRODUCED OR EMPLOYED IN ANY MANNER WITHOUT SPECIFIC APPROVAL FROM ACOUSTIC CONTROL CORP.				
TITLE		170078		
SCHEMATIC PREAMP PCB				
SHEET	DRAWING NO.	PART NO.		REV
D	4	1601		A
SCALE DO NOT SCALE THIS PRINT				



- NOTES: UNLESS SPECIFIED OTHERWISE
1. ALL RESISTORS ARE OHMS UNLESS OTHERWISE SPECIFIED
  2. ALL CAPACITORS ARE IN MFD
  3. ALL DIODES ARE ABOOJ35 INSIDE
  4. ALL NPN TRANSISTORS ARE OOOO35 2N4364
  5. ALL PNP TRANSISTORS ARE OOOO3E 2N4148
  6. ALL 'N' FETS ARE OOOO2A 2N5457
  7. ALL 'P' FETS ARE OOOO2S 2N4360
  8. □ = DC VOLTS FROM GROUND USING VTVM AND SIGNAL APPLIED
  9. △ = AC VOLTS FROM GROUND USING ACVTVM 500Hz SIGNAL
  10. Q416 490035 RCA10405
  11. LAST COMPONENT DESIGNATIONS R466-C434-Q416-D403-L401



B ACOUSTIC CASE AND CIRCUIT NOTE 11		10-3-77
A BOLD PARTS LIST AND CIRCUIT NOTE 11		7-6-77
BY	DATE	
CHECKED	DATE	8-23-77
APPROVED	DATE	
PROPRIETARY INFORMATION ALL INFORMATION CONTAINED HEREIN IS THE PROPERTY OF ACOUSTIC CONTROL CORP. AND IS NOT TO BE REPRODUCED OR TRANSMITTED IN ANY MANNER WITHOUT SPECIFIC WRITTEN PERMISSION FROM ACOUSTIC CONTROL CORP.		
FILE		
SCHEMATIC		170075 PCB
SIZE	DRAWING NO.	
D	4	1593
REV		B
DO NOT SCALE THIS PRINT		



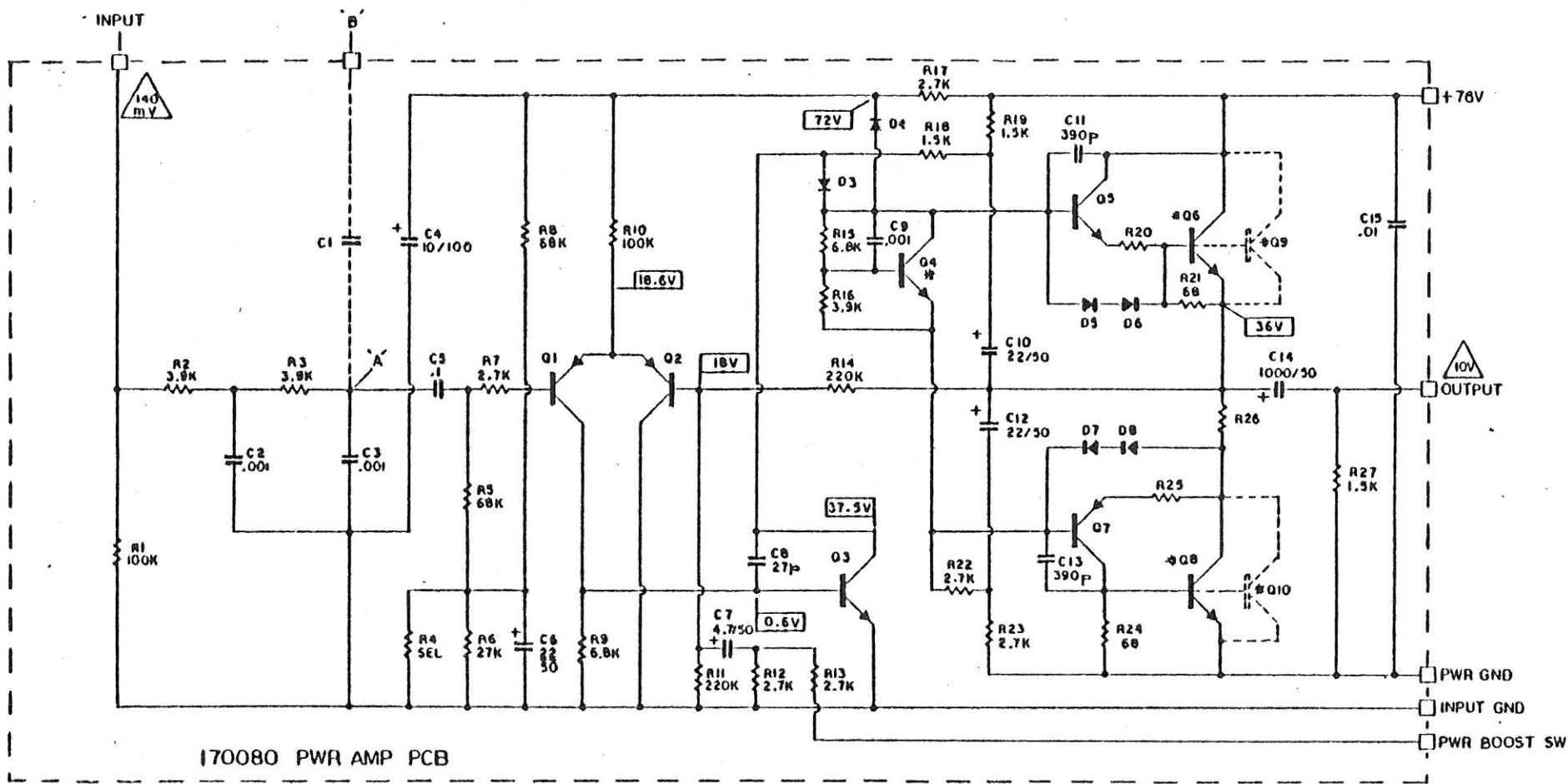
NOTES: UNLESS NOTED OTHERWISE

1. ALL RESISTORS ARE IN OHMS 1/2W 5%
2. ALL CAPACITORS ARE IN MFD
3. ALL DIODES ARE 400005 IN314
4. ALL NPN TRANSISTORS 480023 2N2484
5. ALL PNP TRANSISTORS 480032 2N4248
6. □ = DC VOLTS FROM GROUND USING VTVM NO SIGNAL APPLIED
7. △ = AC VOLTS FROM GROUND USING ACVTVM 1K HZ SIGNAL

SEMICONDUCTORS		
COMP #	ACOUSTIC P/N	MFG P/N
Q203	480003	RCA 4040B
Q205	480006	RCA 4040B
Q207	480007	RCA 4041D
Q206, 208	480015	SPECIAL

PRINTED CIRCUIT BOARD 170074  
 SUB ASSEMBLY P/N 830042 PCB ONLY  
 SUB ASSEMBLY P/N 830043 COMPLETE WITH HEATSINK

B	D201 # 202 DELETED	6-2-77	PA
A	R205 WAS 22K - R206 WAS 1.5K	5-26-77	PAK
DRAWN BY <i>[Signature]</i>		DATE 4-27-77	
CHECKED			
APPROVED BY <i>[Signature]</i>		DATE 4-28-77	
PROPRIETARY INFORMATION ALL INFORMATION CONTAINED IN THIS DOCUMENT IS THE PROPERTY OF acoustic control corp. AND IS NOT TO BE DIVULGED OR EMPLOYED IN ANY WAY WITHOUT SPECIFIC APPROVAL FROM acoustic control corp.		TITLE <b>POWER AMPLIFIER</b>	
MODEL	115	SIZE	C
DRAWING NO.	1571	PART NO.	3
REV	B		

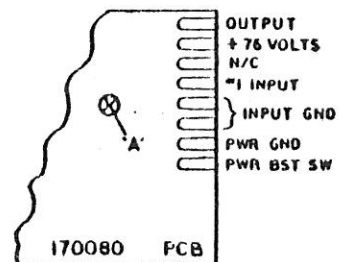


170080 PWR AMP PCB

\* COMPONENTS MOUNTED ON HEATSINK

NOTES UNLESS NOTED OTHERWISE

- 1 RESISTORS ARE IN OHMS 1/2W 5%
- 2 CAPACITORS ARE IN MFD
- 3 DIODES ARE IN914 480005
- 4 □ - DC VOLTS FROM GROUND USING VTVM  
NO SIGNAL APPLIED
- 5 △ - AC VOLTS FROM GROUND USING ACVTVM  
1K HZ SIGNAL
- 6 R4 LIMITS - LOW 68K - HIGH ∞
- 7 LAST COMPONENT DESIGNATIONS  
R27 - C15 - Q10 - D8

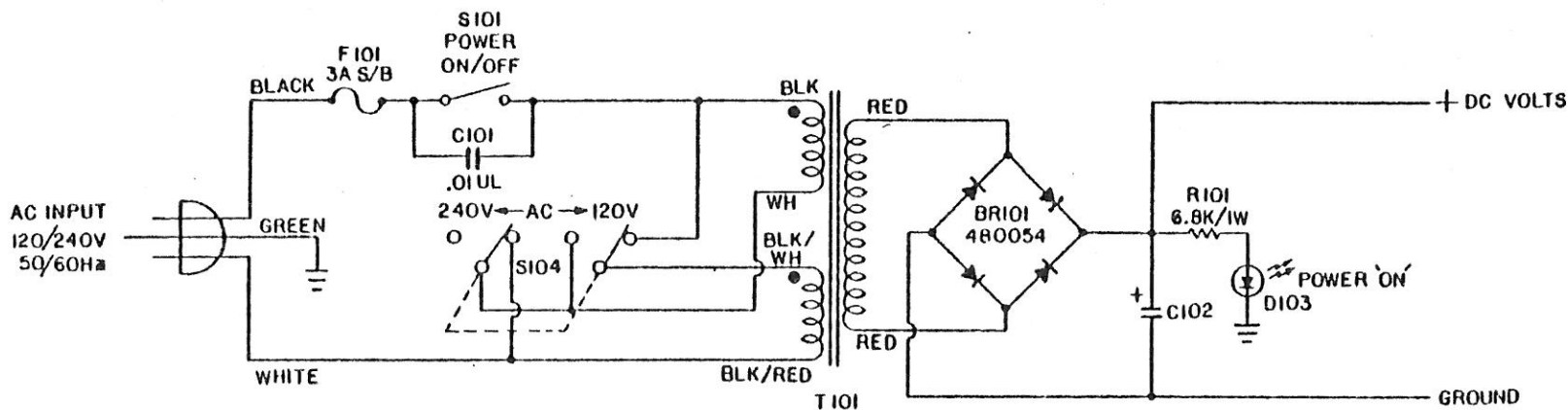


170080 PCB

SEMICONDUCTORS COMP	ACOUSTIC P/N	MFG P/N
Q1 & 2	480032	2N4240
Q3	480003	RCA4040B
Q4	480023	PN2484
Q5	480006	RCA40409
Q7	480007	RCA40410
Q6, Q9, Q10	480015	SPECIAL

TABULATION MODEL	115	124/5	126
R20 & 23	2.7~	1~	1~
R26	.27/2W	.24/7W	.24/7W
C1	—	—	.1
Q9 & 10	NO	YES	YES

A   D1 & 2 DELETED		6-2-77	
BY	DATE	acoustic control corp	
DRAWN	5-17-77	van nuys, california 91400	
CHECKED		TITLE	
APPROVED	5-24-77	SCHEMATIC — PWR AMP PCB (170080)	
PROPRIETARY INFORMATION		SIZE	DRAWING NO.
ALL INFORMATION CONTAINED IN THIS DOCUMENT IS THE PROPERTY OF acoustical control corp. AND IS NOT TO BE DIVULGED OR EMPLOYED IN ANY WAY WITHOUT SPECIFIC APPROVAL FROM acoustical control corp.		C	3
		CODE	PART NO.
			1592
		REV	A
		SCALE	DO NOT SCALE THIS PRINT



MODELS	T101	C102	DC VOLTS	F101 @ 120V 125V FUSE	F101 @ 240V 250V FUSE
114/115/116	560013 OR 560026	$\frac{3900}{80}$	76	3ASB	1.5ASB
124/125/126	560013 OR 560026	$\frac{7800}{100}$	76	3ASB	1.5ASB
220/230	560014	$\frac{7800}{100}$	87	5ASB	2.5ASB
320/330	560027	$\frac{7800}{100}$	98	6.25ASB	3ASB

BY	DATE	<b>acoustic control corp</b> van nuys, california 91408	
DRAWN R. ANGLINO	7-28-77		
CHECKED			
APPROVED <i>[Signature]</i>	7-28-77	TITLE	
PROPRIETARY INFORMATION ALL INFORMATION CONTAINED IN THIS DOCUMENT IS THE PROPERTY OF acoustic control corp. AND IS NOT TO BE DIVULGED OR EMPLOYED IN ANY WAY WITHOUT SPECIFIC APPROVAL FROM acoustic control corp.		AC POWER SUPPLY GUITAR AMP'S	
SIZE	DRAWING NO.	PART NO.	REV
C	CODE 3	1613	
SCALE	DO NOT SCALE THIS PRINT		