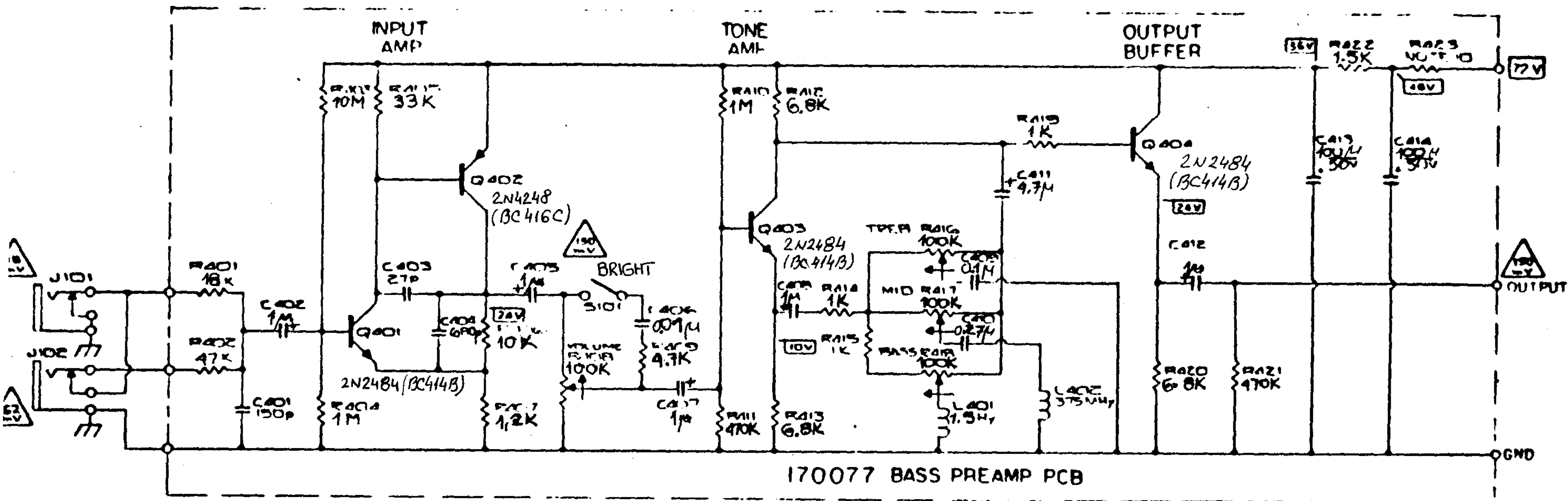


REFERENCE DRAWINGS

- C1595 - PREAMP
- C1575 - EQUALIZER
- C1571 - POWER AMP
- C1592 - POWER AMP
- C1613 - POWER SUPPLY

BY	DATE	acoustic control corp van nuys, california 91488	
DRAWN BY: DALE HIND	7-20-77		
CHECKED			
APPROVED	7-20-77	TITLE	
<small>ALL INFORMATION CONTAINED ON THIS DRAWING IS THE PROPERTY OF acoustic control corp. THIS DRAWING IS TO BE USED ONLY FOR THE SPECIFIC PROJECT SPECIFIED BY THE DRAWING. NO OTHER REPRODUCTION OR DISSEMINATION OF THIS DRAWING IS TO BE MADE WITHOUT THE WRITTEN PERMISSION OF acoustic control corp.</small>		BLOCK SCHEMATIC MODEL 126	
SIZE	DRAWING NO	PART NO	REV
C	3	1612	
DO NOT SCALE THIS PRINT			

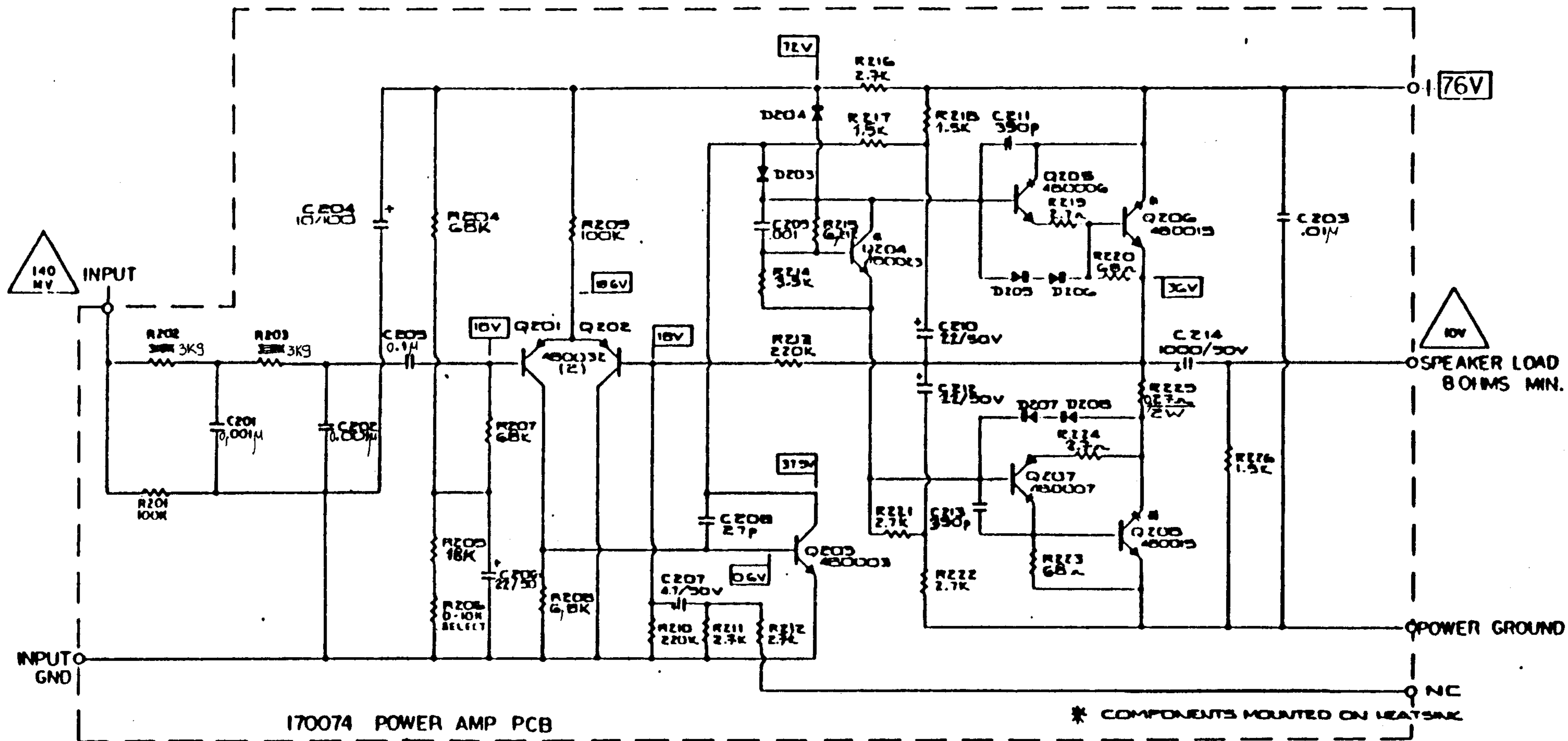


170077 BASS PREAMP PCB

NOTES: UNLESS NOTED OTHERWISE

1. ALL RESISTORS ARE IN OHMS 1/2W 5%
2. ALL CAPACITORS ARE IN MFD
3. ALL DIODES ARE 1N914
4. ALL NPN TRANSISTORS ARE 2N2484
5. ALL PNP TRANSISTORS ARE 2N424A
6. □ = DC VOLTS FROM GROUND USING VTVM NO SIGNAL APPLIED
7. Δ = AC VOLTS FROM GROUND USING ACVTVM 1K HZ SIGNAL
8. SUB ASSEMBLY PIN B30045
9. LAST COMPONENT DESIGNATIONS
R423 - C414 - Q404 - L402
10. R423 3.0K FOR 72V PS
R423 5.6K FOR 8.7V PS

BY		DATE		acoustic control corp van nuys, california 91408	
DRAWN E. MAE-LIND		7-20-77			
CHECKED					
APPROVED		5/24/77			
PROPRIETARY INFORMATION ALL INFORMATION CONTAINED IN THIS DOCUMENT IS THE PROPERTY OF acoustic control corp. AND IS NOT TO BE DISCLOSED OR EMPLOYED IN ANY WAY WITHOUT SPECIFIC APPROVAL FROM acoustic control corp.				TITLE BASS PREAMP - 170077	
SIZE	DRAWING NO.	PART NO.	REV		
C	3	159	A		
SCALE NONE				DO NOT SCALE THIS PRINT	



170074 POWER AMP PCB

* COMPONENTS MOUNTED ON HEATSINK

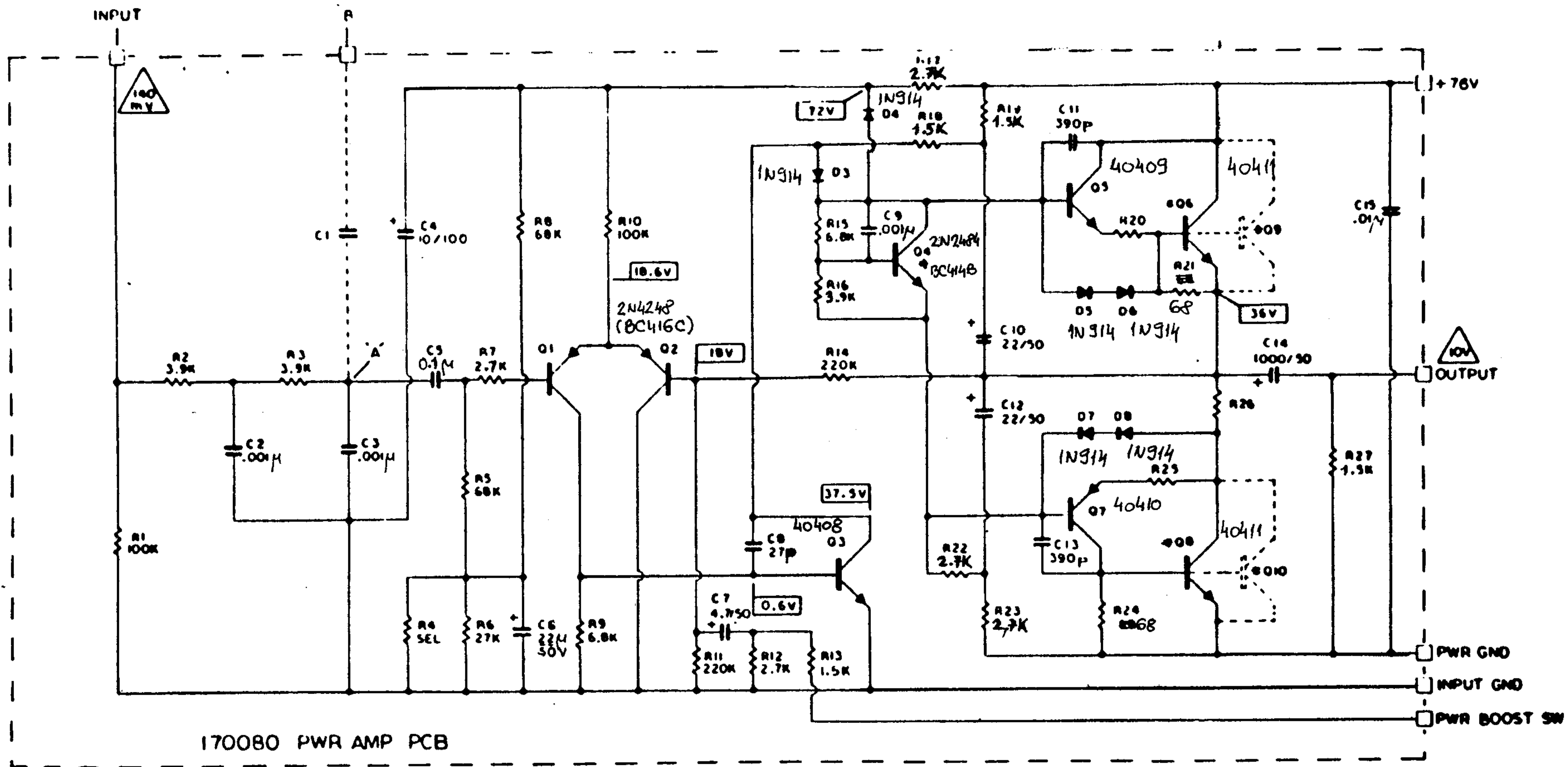
NOTES: UNLESS NOTED OTHERWISE

1. ALL RESISTORS ARE IN OHMS UNLESS NOTED OTHERWISE
2. ALL CAPACITORS ARE IN MFD UNLESS NOTED OTHERWISE
3. ALL DIODES ARE 400005 IN DIA
4. ALL NPN TRANSISTORS 4800023 2N2484
5. ALL PNP TRANSISTORS 4800032 2N4248
6. □ = DC VOLTS FROM GROUND USING VTVM NO SIGNAL APPLIED
7. Δ = AC VOLTS FROM GROUND USING AC VTVM IN THE SIGNAL

SEMICONDUCTORS		
COMP #	ACOUSTIC PN	MFG PN
Q203	480003	RCA 40405
Q205	480006	RCA 40405
Q207	480007	RCA 40410
Q206, 208	480015	SPECIAL

PRINTED CIRCUIT BOARD 170074
 SUB ASSEMBLY P/N B30042 PCB ONLY
 SUB ASSEMBLY P/N B30143 COMPLETE WITH HEATSINK

B	Q201 + Q202 DELETED	4-2-77	MA
A	R205 WAS 22K - R206 WAS 1.5K	4-16-77	CTA
BY	DATE		
DRAWN	4-27-77		
CHECKED			
APPROVED	4-27-77		
PROPRIETARY INFORMATION		TITLE	
ALL INFORMATION CONTAINED IN THIS DOCUMENT IS THE PROPERTY OF acoustic control corp. AND IS NOT TO BE DISSEMINATED OR REPRODUCED IN ANY MANNER WITHOUT SPECIFIC APPROVAL FROM acoustic control corp.		POWER AMPLIFIER MODEL 115	
SIZE	DRAWING NO	PART NO.	REV
C	3	1571	B
DO NOT SCALE THIS PRINT			

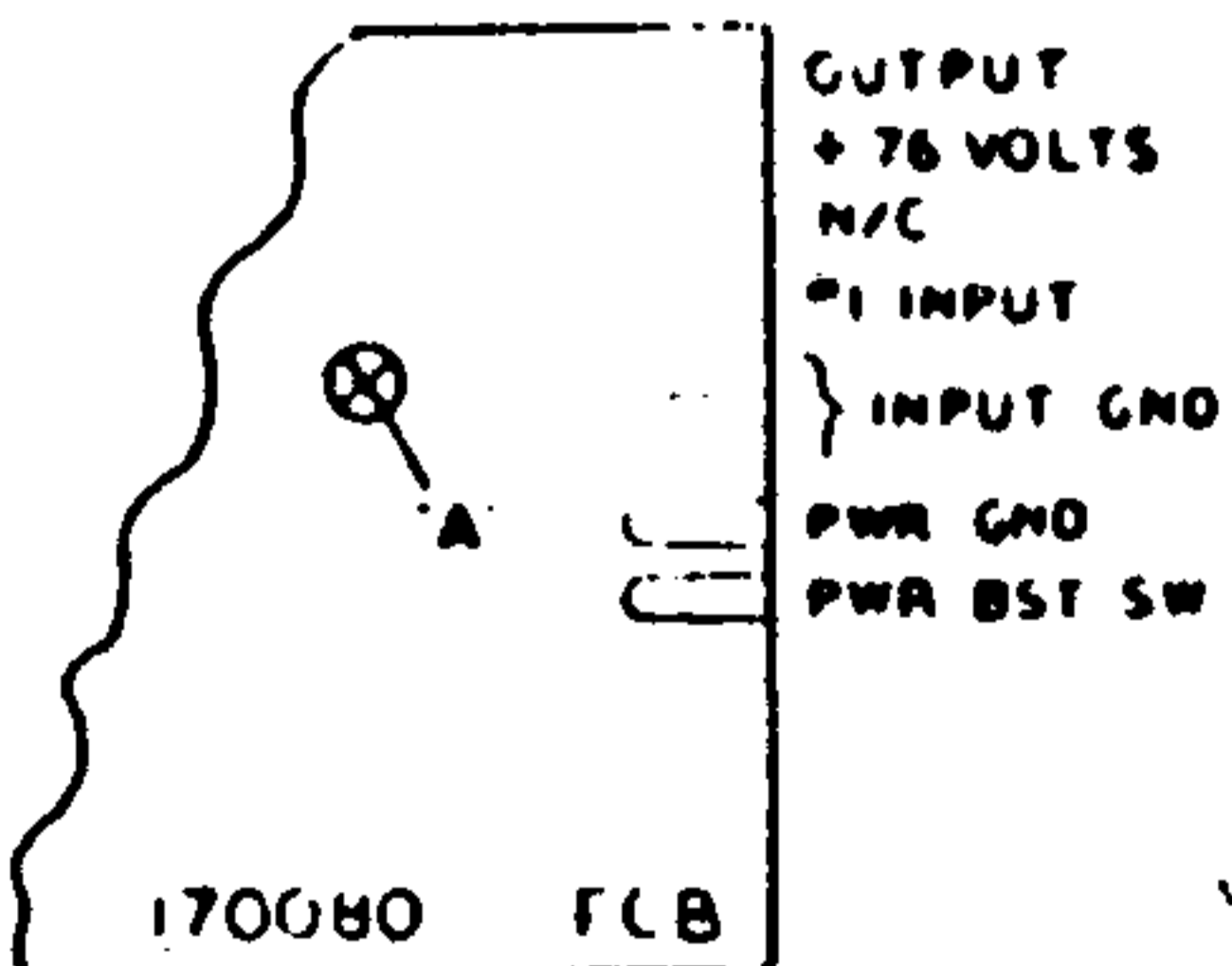


170080 PWR AMP PCB

* COMPONENTS MOUNTED ON HEATSINK

NOTES UNLESS NOTED OTHERWISE

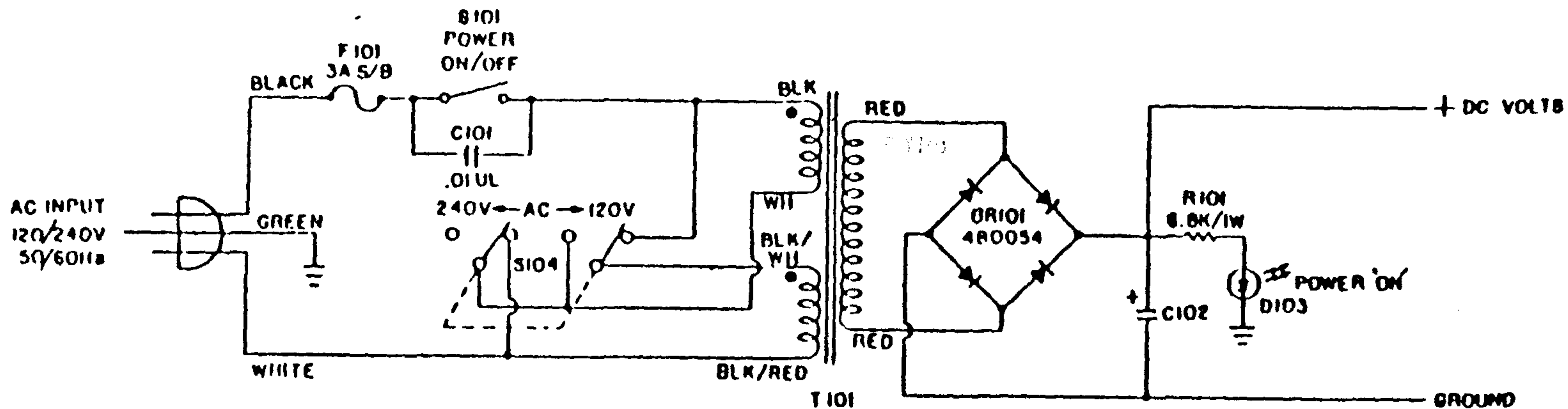
- RESISTORS ARE IN OHMS UNLESS NOTED OTHERWISE
- CAPACITORS ARE IN MFD UNLESS NOTED OTHERWISE
- DIODES ARE 1N914 UNLESS NOTED OTHERWISE
- = DC VOLTS FROM GROUND USING VTVM NO SIGNAL APPLIED
- △ = AC VOLTS FROM GROUND USING ACVTVM IN ME SIGNAL
- RM LIMITS - LOW 68K - HIGH 100K
- LAST COMPONENT DESIGNATIONS R27 - C15 - Q10 - D8



COMP	ACOUSTIC P/N	MFG P/N	POWER	VOLTS
Q1 & 2	480032	2N4248	-1W	(90V)
Q3	480003	RCA40408	-3W	(90V)
Q4	480023	PN2484	-3W	(90V)
Q5	480008	RCA40409	-3W	(90V)
Q7	480007	RCA40410	-3W	(90V)
Q6 & Q10	480015	SPECIAL	-150W	(90V)

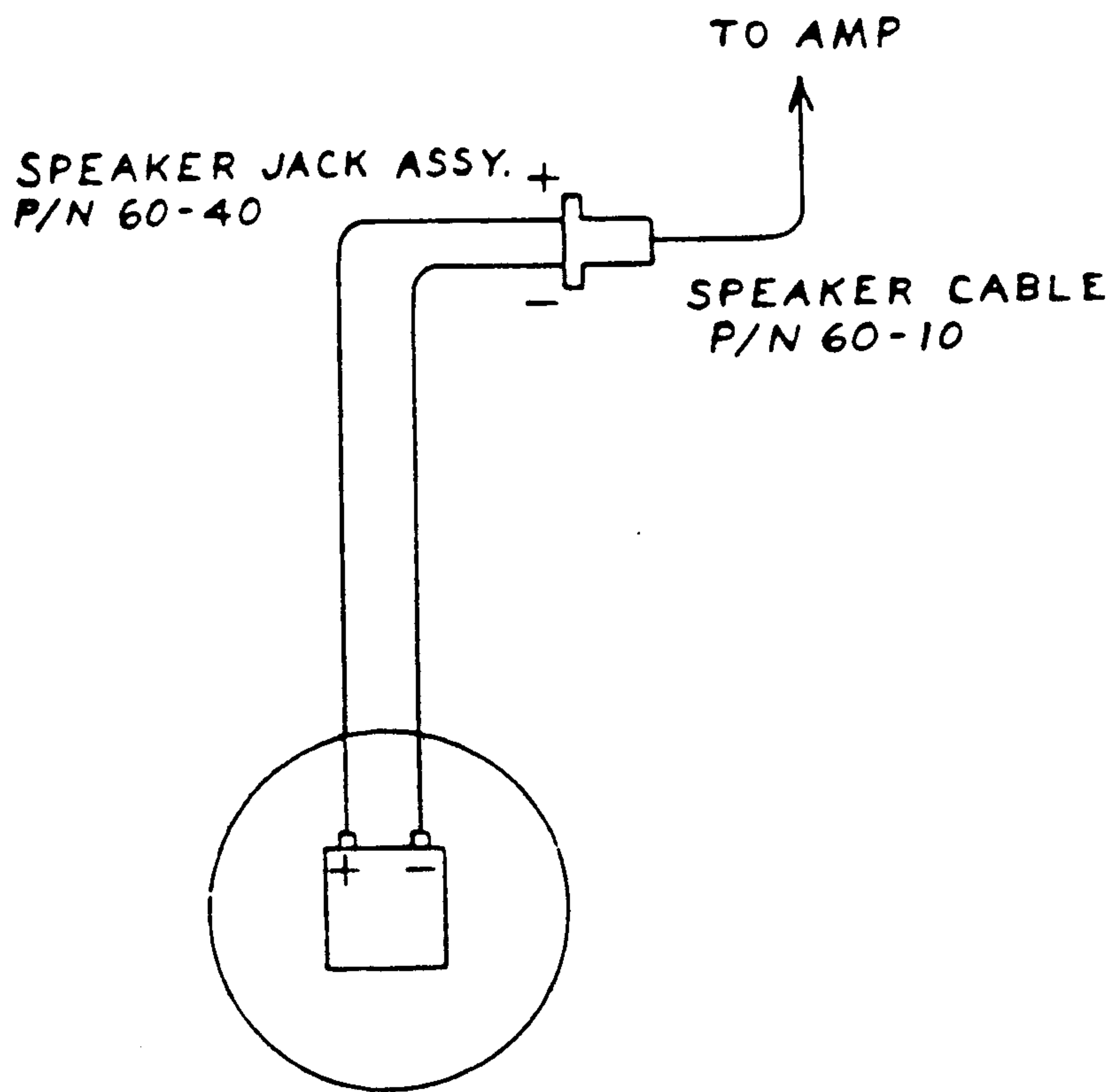
TABULATION				
MODEL	115	124/5	116/126	
R20 & 25	2.7K	1.5K	1.5K	
R26	.27/2W	.24/7W	.24/7W	
C1				.1
U9 & 10	NO	YES	YES	

DRAWN BY: <i>[Signature]</i>		DATE: 5-17-77	acoustic control corp van nuys, california 91406
CHECKED BY: <i>[Signature]</i>		DATE: 5-24-77	
APPROVED BY: <i>[Signature]</i>		DATE: 5-24-77	
PROPRIETARY INFORMATION ALL INFORMATION CONTAINED IN THIS DOCUMENT IS THE PROPERTY OF acoustic control corp. AND IS NOT TO BE DIVULGED OR EMPLOYED IN ANY WAY WITHOUT SPECIAL APPROVAL FROM acoustic control corp.			TITLE MODEL 126 SCHEMATIC — PWR AMP PCB (170080)
SIZE: C	DRAWING NO. 3	PART NO. 1592	REV 13
SCALE: DO NOT SCALE THIS DRAWING			



MODELS	T101	C102	DC VOLTS	F101 @,120V 125V FUSE	F101 @,240V 250V FUSE
114/115/116	560013 OR 560026	$\frac{3900}{80}$	76	3ASB	1.5ASB
124/125/126	560013 OR 560026	$\frac{7000}{100}$	76	3ASB	1.5ASB
220/230	560014	$\frac{7800}{100}$	87	5ASB	2.5ASB
320/330	560027	$\frac{7800}{100}$	98	6.25ASB	3ASB

BY	DATE	acoustic control corp van nuys, california 91400
DRAWN BY: AAK/JMD	7-20-77	
CHECKED		
APPROVED BY: [Signature]	7-19-77	TITLE
PROPRIETARY INFORMATION <small>ALL INFORMATION CONTAINED ON THIS DRAWING IS THE PROPERTY OF ACOUSTIC CONTROL CORP. AND IS TO BE KEPT STRICTLY CONFIDENTIAL AND NOT REPRODUCED OR TRANSMITTED IN ANY FORM OR BY ANY MEANS, ELECTRONIC OR MECHANICAL, INCLUDING PHOTOCOPYING, RECORDING, OR BY ANY INFORMATION STORAGE AND RETRIEVAL SYSTEM.</small>		AC POWER SUPPLY GUITAR AMPS
REV	DRAWING NO	
C	3	PART NO 1613
		REV
DO NOT SCALE THIS PRINT		



1-15" SPEAKER
P/N 130024

MODEL 126 SPEAKER WIRING