

2N3822

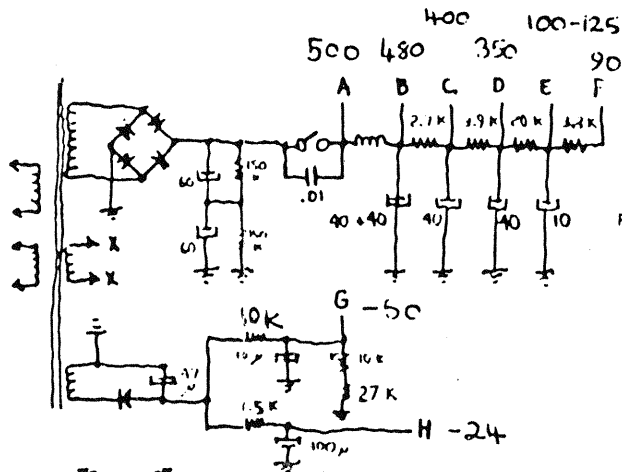
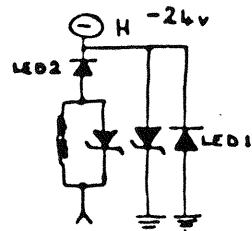
MPSA06x3

MPSA55

6L6x4

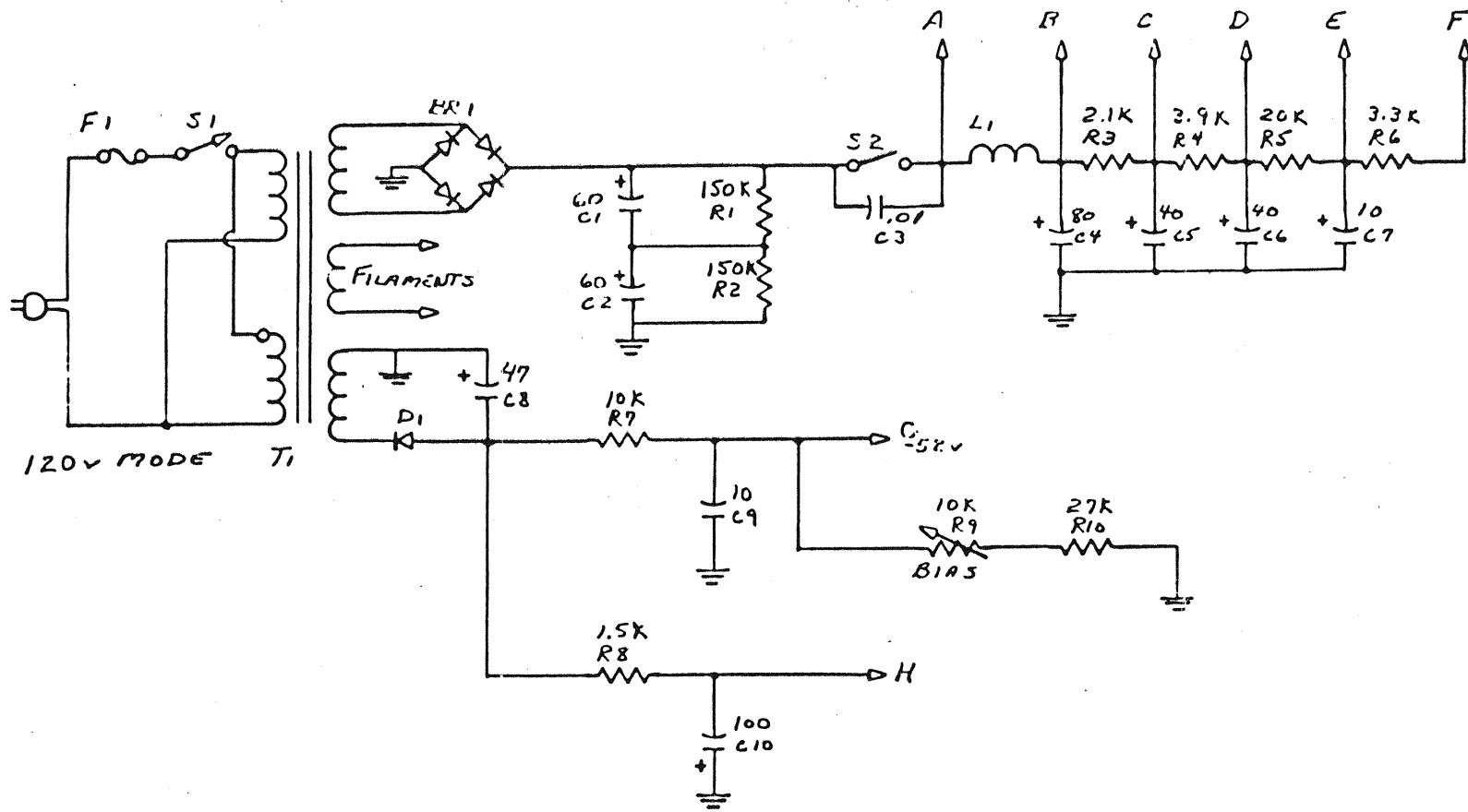
| | L | C | R |
|----------------|------|------|-----|
| F ₁ | 1.5 | .68 | 470 |
| F ₂ | .375 | .68 | 480 |
| F ₃ | .187 | .15 | 470 |
| F ₄ | .093 | .05 | 470 |
| F ₅ | | .039 | 820 |

RELAY



OPTIONAL

Acoustic
MODEL
165
164
160



| | | |
|-------------------------------|--------------|----------------|
| POWER SUPPLY MODEL 165 | | |
| SCALE: | APPROVED BY: | DRAWN BY CES |
| DATE: 7/14/51 | | REVISED |
| ACOUSTIC CONTROL CORP. | | |
| 7945 WOODLEY AVE. | | |
| VAN NUYS, CAL. 91406 | | |
| | | DRAWING NUMBER |