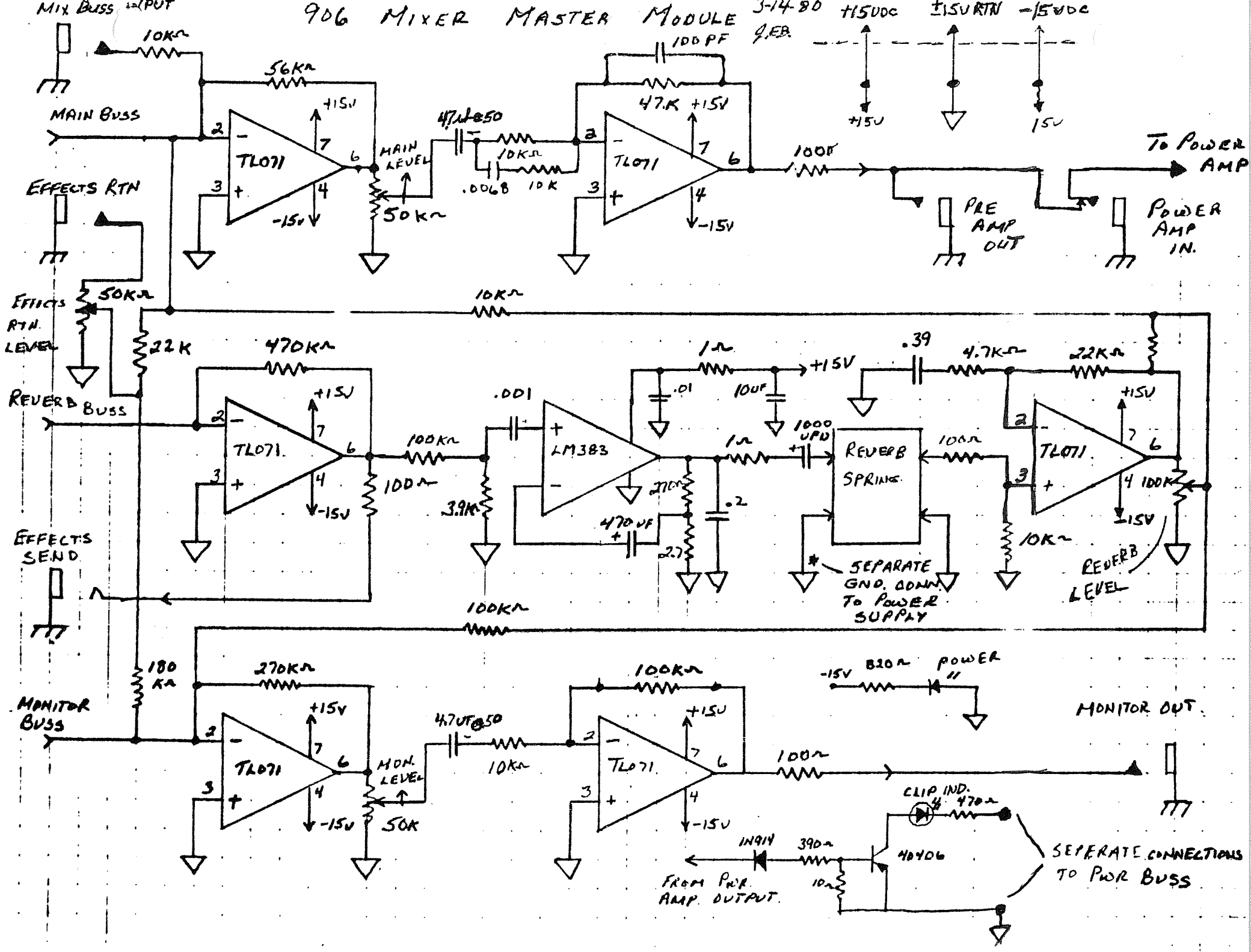


906 MIXER MASTER MODULE

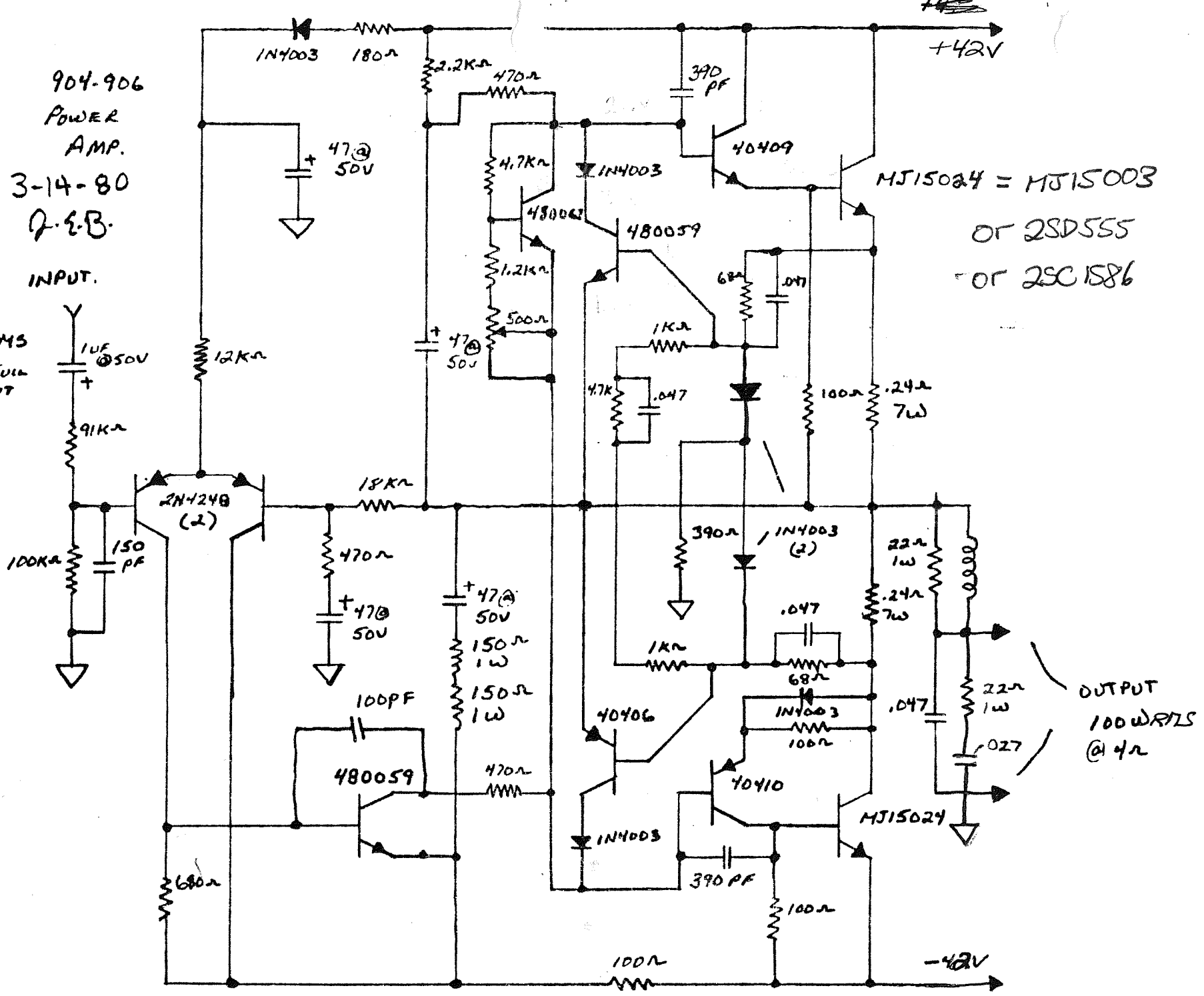
3-14-80
J.E.B.
+15VDC +15VRTN -15VDC



904-906
 POWER
 AMP.
 3-14-80
 Q.E.B.

INPUT.
 1URMS
 FOR FULL
 OUTPUT

MJ15024 = MJ15003
 OR 2SD555
 OR 2SC1586



OUTPUT
 100WRMS
 @ 4Ω

904-906 POWER SUPPLY

3-14-80

J.K.B.

