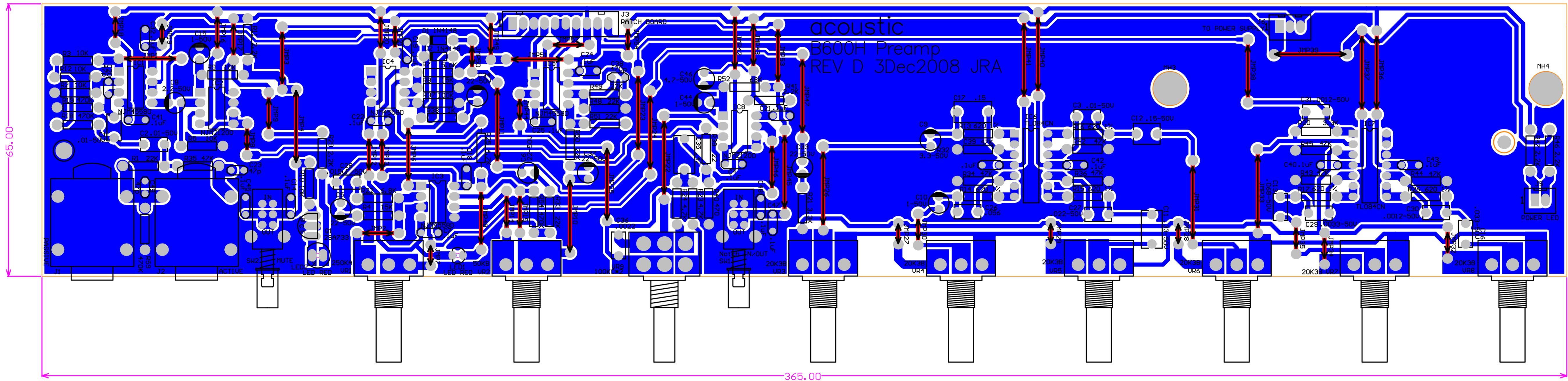


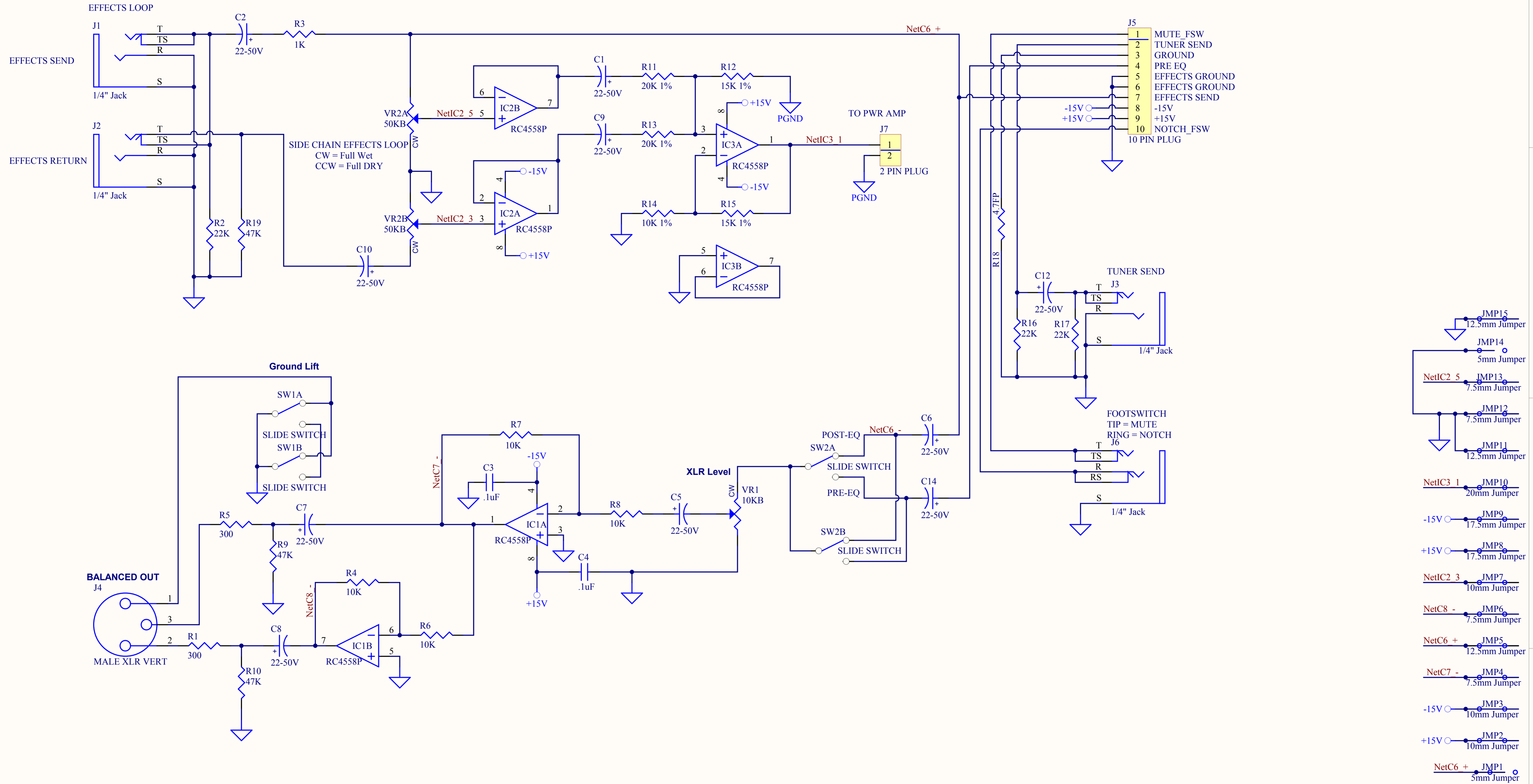
Jumper List

| | | | | | | | |
|-----------|---------------|----------|--------------|-----------|---------------|----------|---------------|
| POST EQ | JMP11 | NetC36 + | JMP22 | NetC31 + | JMP33 | NetC36 - | JMP44 |
| | 20mm Jumper | | 20mm Jumper | | 20mm Jumper | | 7.5mm Jumper |
| NetC37 + | JMP10 | +15V | JMP21 | NetC7 3 | JMP32 | +15V | JMP54 |
| | 17.5mm Jumper | | 7.5mm Jumper | | 7.5mm Jumper | | 12.5mm Jumper |
| +15V | JMP9 | -15V | JMP20 | NetC12 + | JMP31 | -15V | JMP42 |
| | 10mm Jumper | | 10mm Jumper | | 20mm Jumper | | 15mm Jumper |
| NetC36 - | JMP8 | +15V | JMP19 | NetC10 + | JMP30 | +15V | JMP41 |
| | 7.5mm Jumper | | 5mm Jumper | | 7.5mm Jumper | | 15mm Jumper |
| POST GAIN | JMP7 | -15V | JMP18 | NetC7 3 | JMP29 | -15V | JMP40 |
| | 5mm Jumper | | 7.5mm Jumper | | 5mm Jumper | | 20mm Jumper |
| POST GAIN | JMP6 | +15V | JMP17 | NetC7 3 | JMP28 | +15V | JMP39 |
| | 15mm Jumper | | 10mm Jumper | | 5mm Jumper | | 17.5mm Jumper |
| MUTE_FSW | JMP4 | NetC37 + | JMP15 | NetC9 + | JMP26 | +15V | JMP37 |
| | 17.5mm Jumper | | 10mm Jumper | | 20mm Jumper | | 20mm Jumper |
| MUTE_FSW | JMP3 | NetC3 6 | JMP14 | NetC36 - | JMP25 | -15V | JMP36 |
| | 15mm Jumper | | 10mm Jumper | | 17.5mm Jumper | | 20mm Jumper |
| NetC3 2 | JMP2 | +15V | JMP13 | POST GAIN | JMP24 | NetC13 + | JMP35 |
| | 10mm Jumper | | 10mm Jumper | | 20mm Jumper | | 7.5mm Jumper |
| NetC8 - | JMP1 | -15V | JMP12 | POST EQ | JMP23 | NetC7 3 | JMP34 |
| | 15mm Jumper | | 10mm Jumper | | 20mm Jumper | | 7.5mm Jumper |

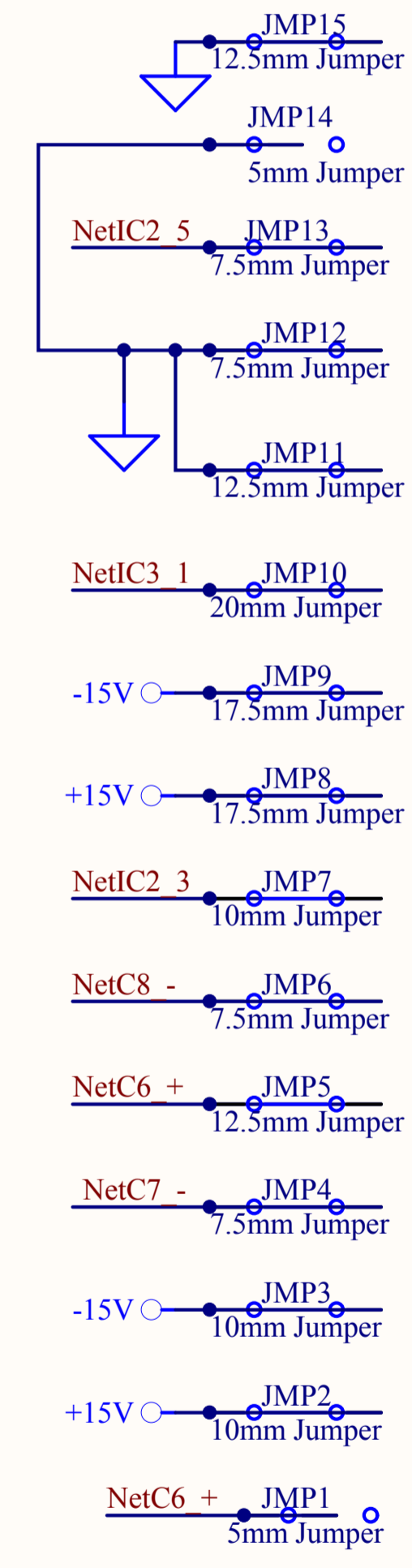
Title Block

| | | |
|----------------------|--|----------|
| Title | | |
| acoustic B400 preamp | | |
| Size | Number | Revision |
| Orcad B | JRA | Rev D |
| Date: | 4/29/2009 | Sheet of |
| File: | C:\Documents and Settings\B600H Preamp\Rev D\B600H Dec2008 JA.SCHDOC | 1 |





| | | |
|----------------------------|--|--------------|
| Title | | |
| Acoustic B600H Patch Board | | |
| Size | Number | Revision |
| B | JRA | REV E |
| Date: | 4/24/2009 | Sheet 1 of 1 |
| File: | C:\Documents and Settings\...B600H Patch Board Rev E 11Mar2009 JA.SchDoc | |



68,00

48,80

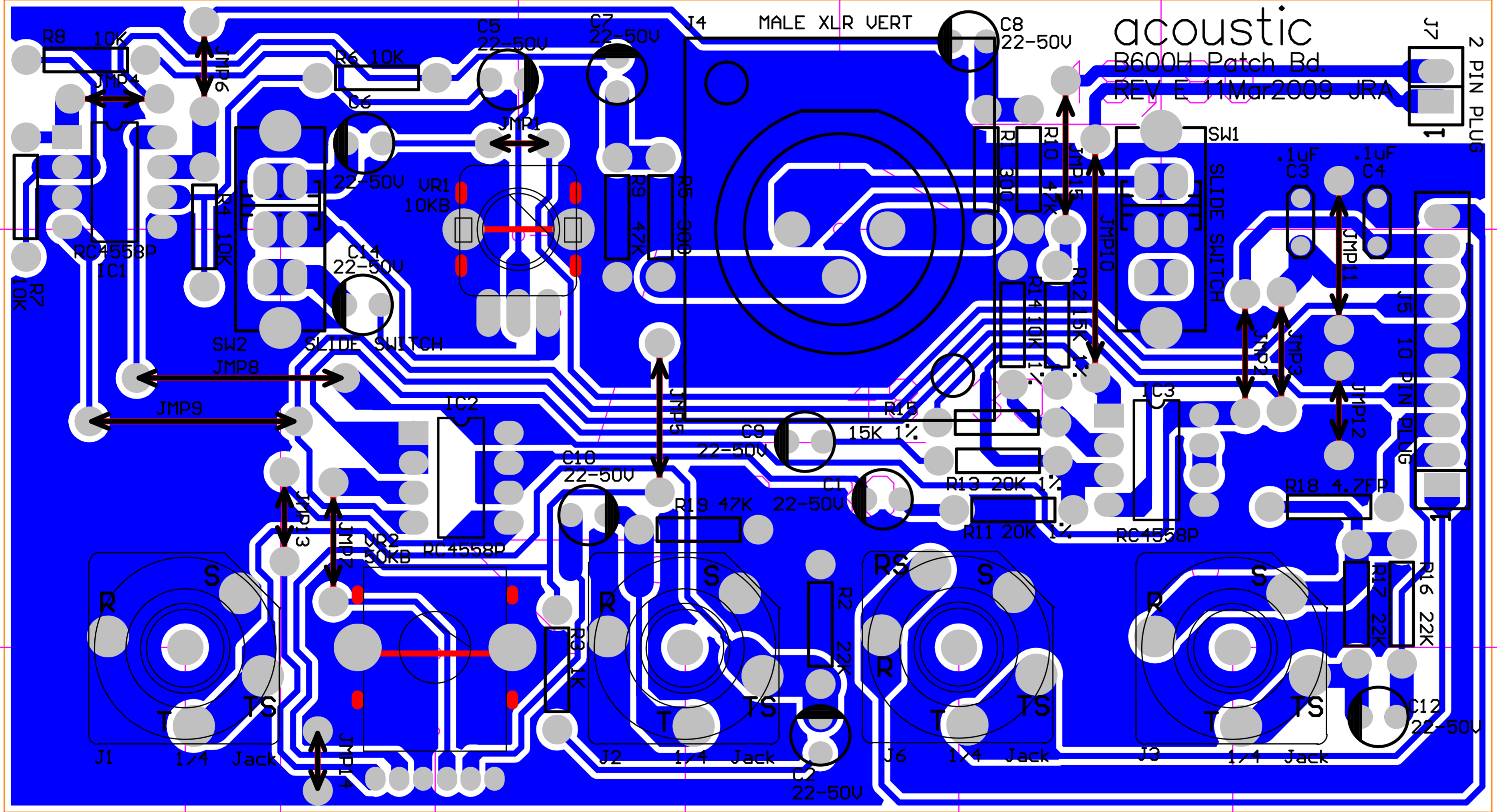
13,80

0,00

43,20

70,20

97,20



48,80

13,80

0,00

15,20

23,20

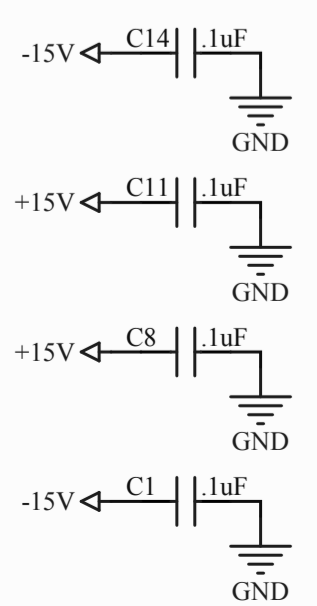
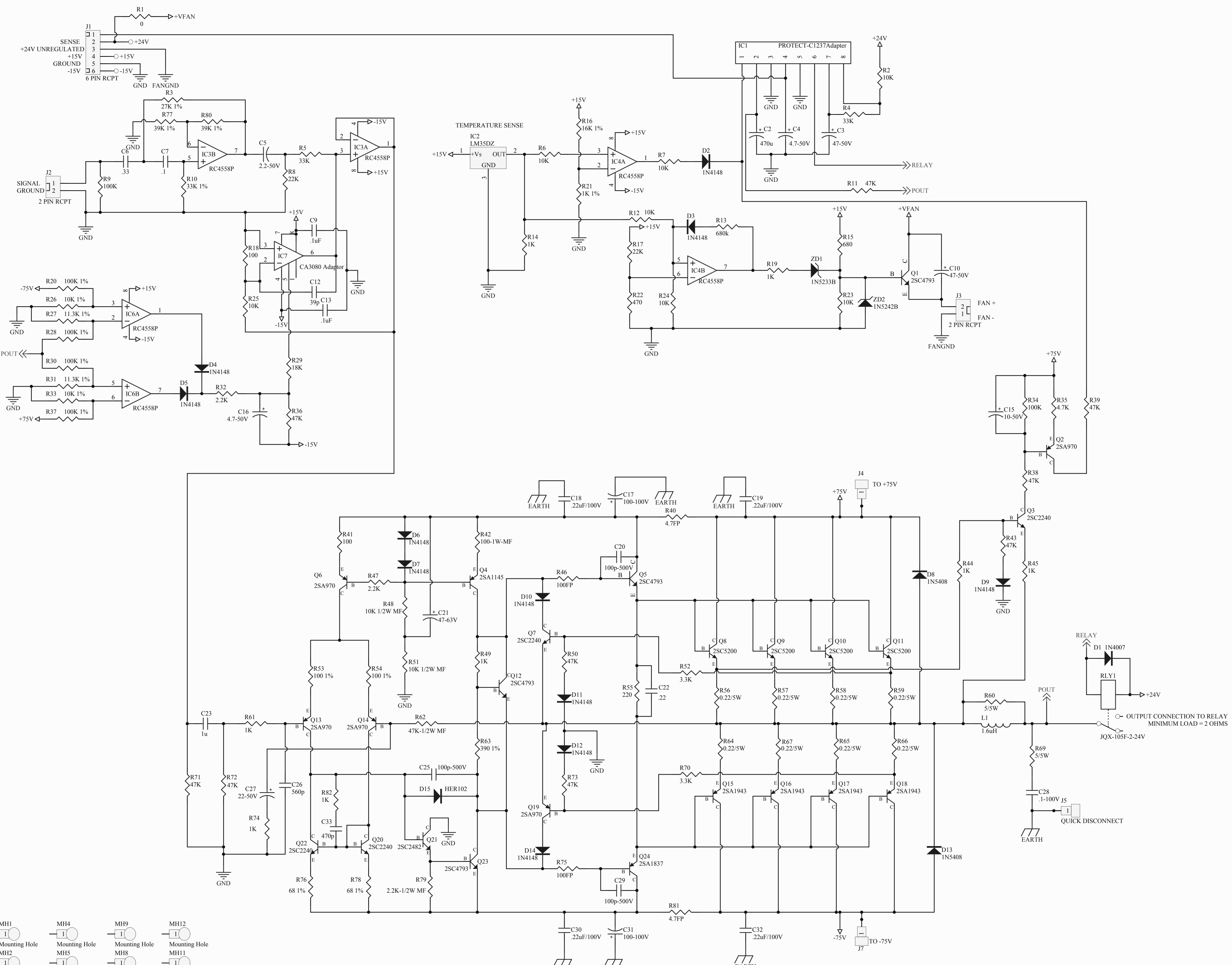
36,20

57,20

80,20

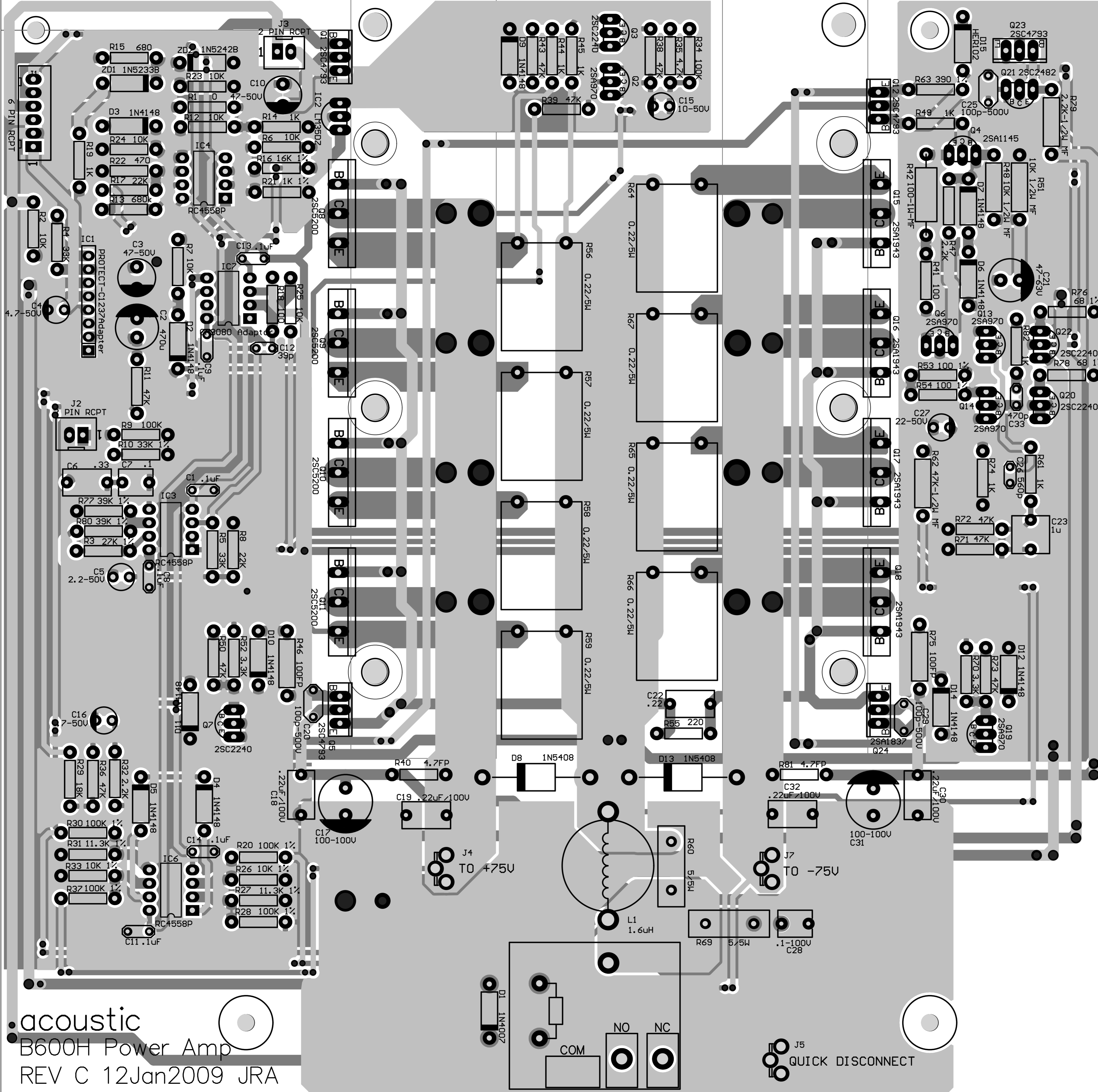
103,20

125,00

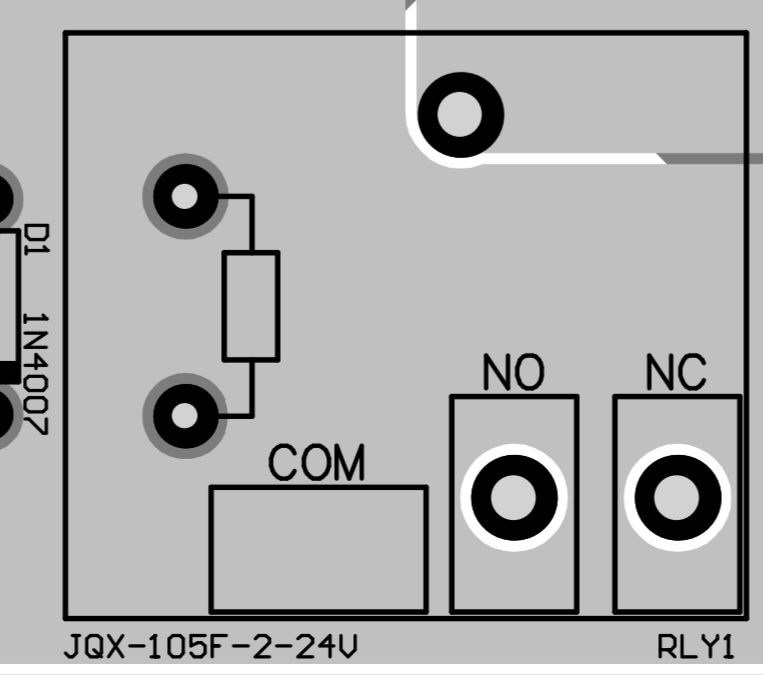


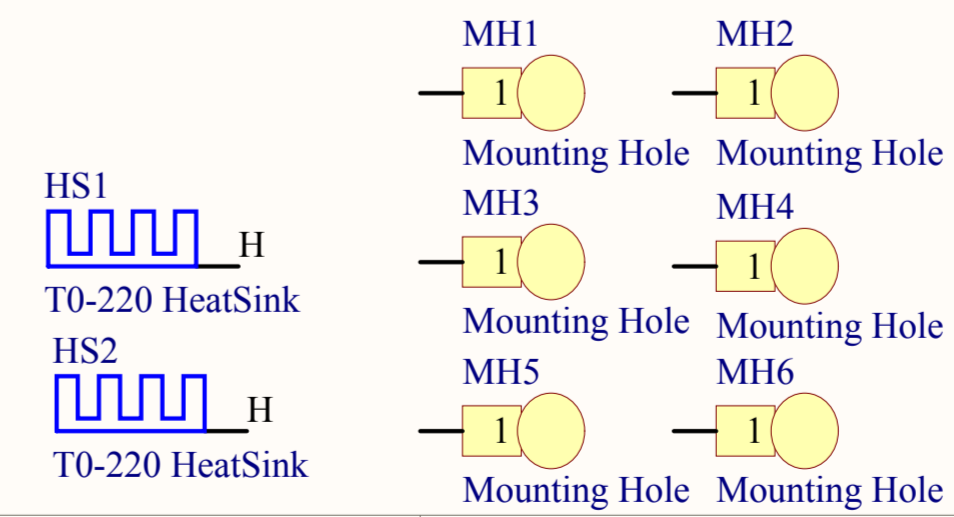
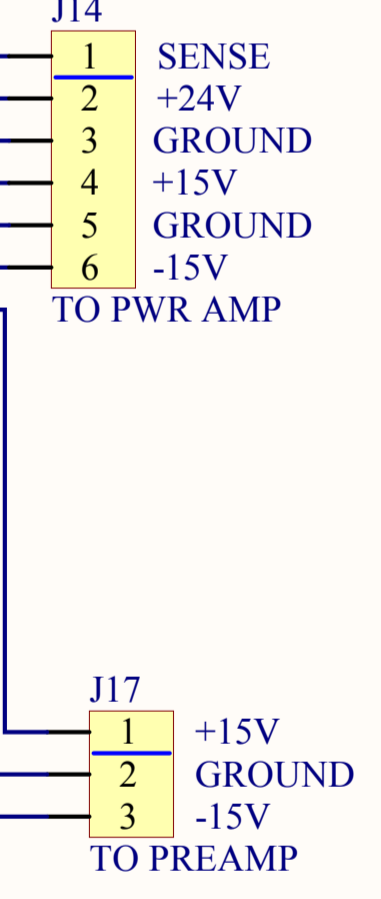
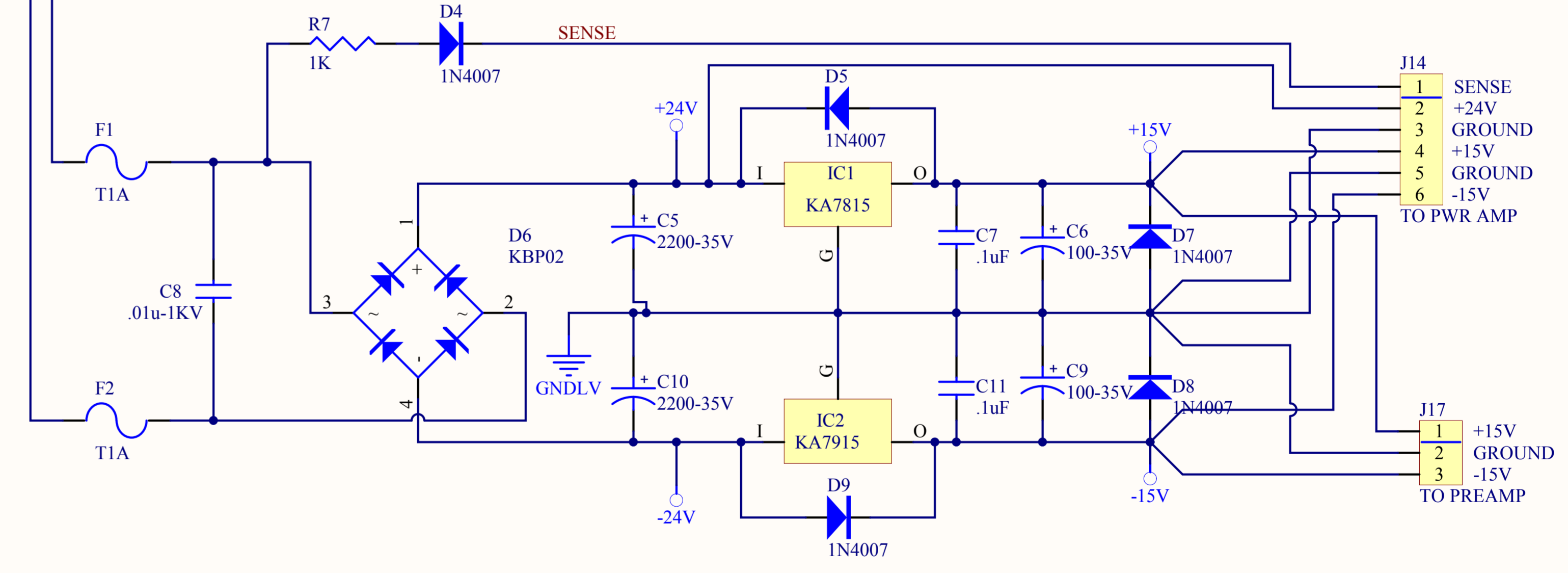
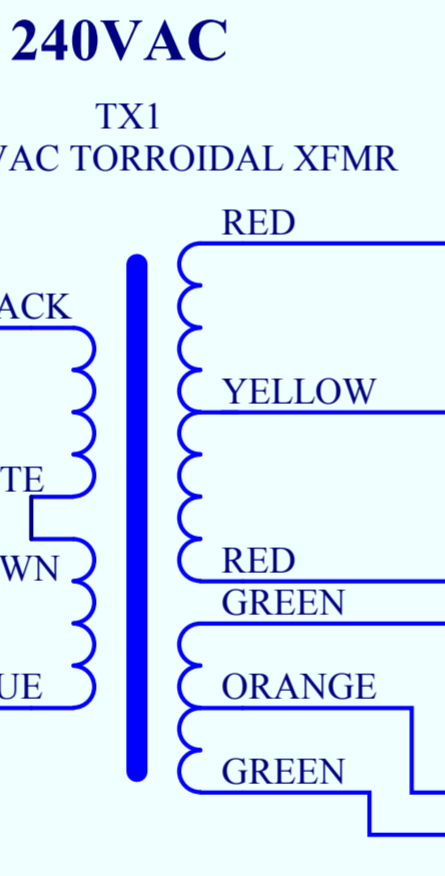
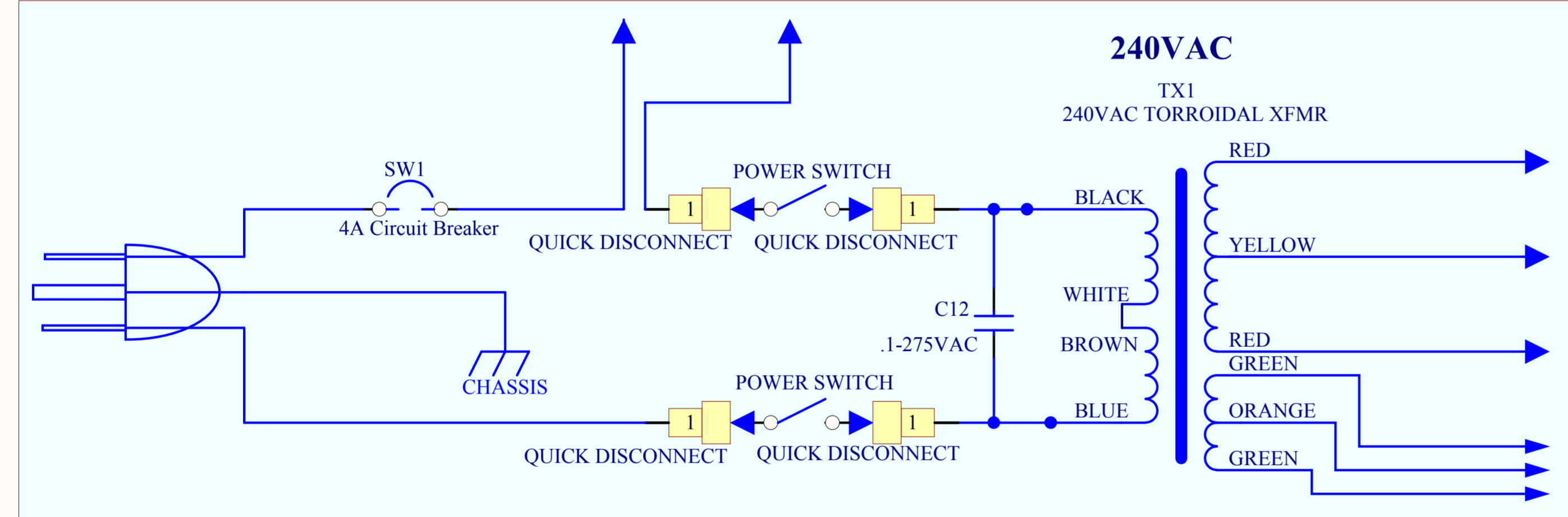
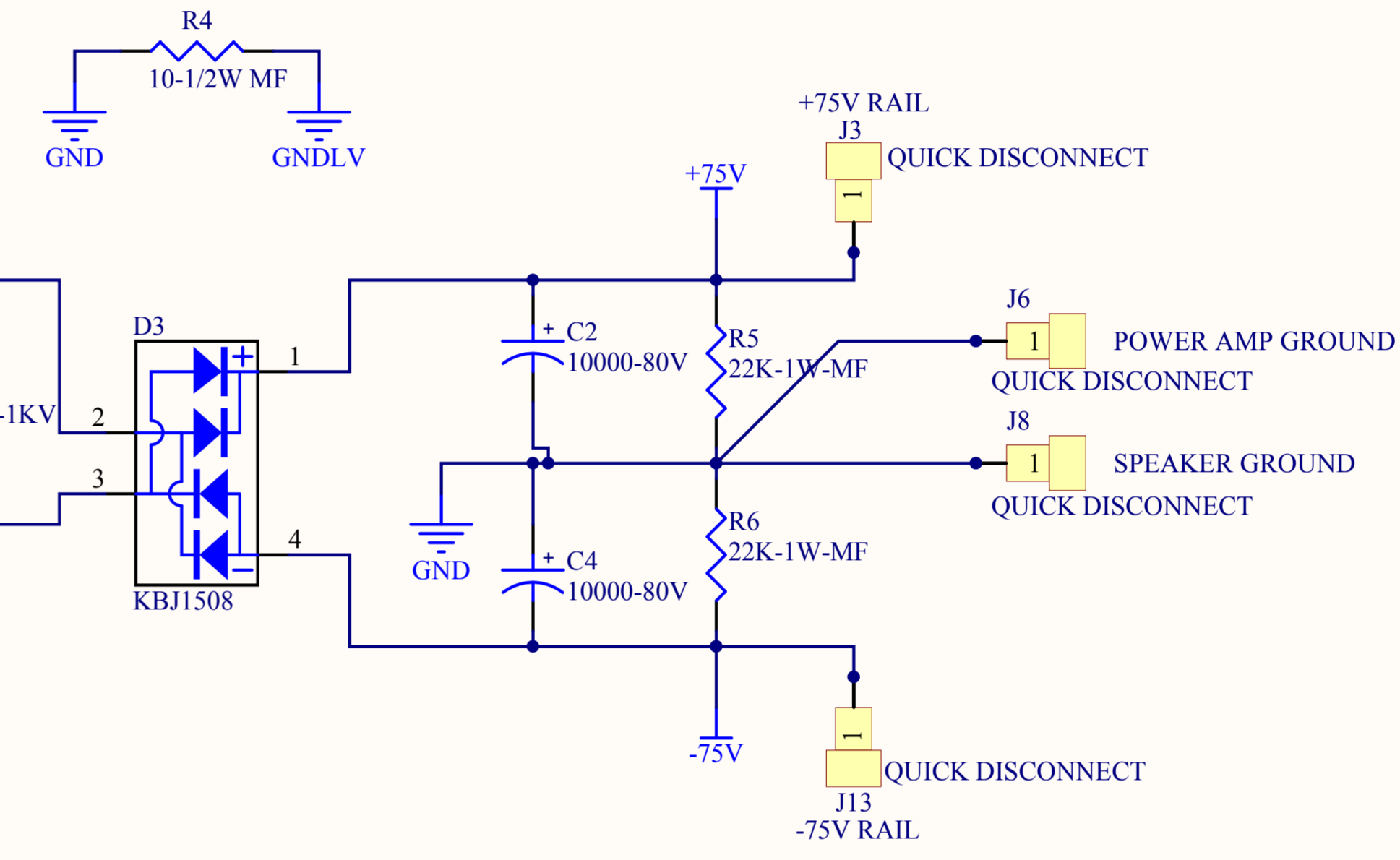
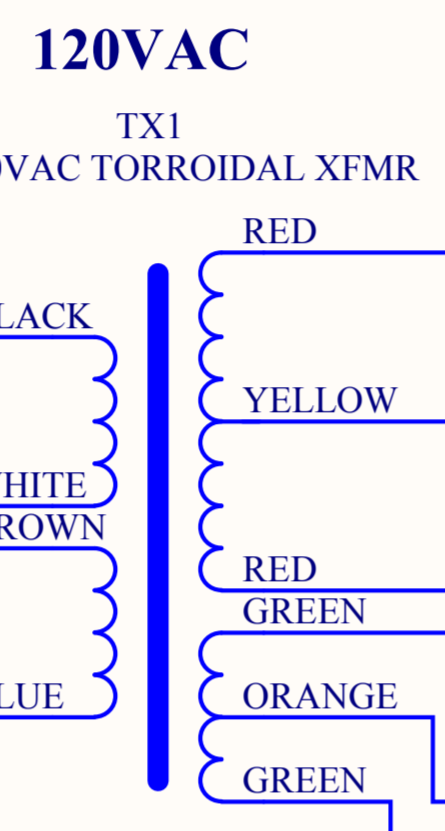
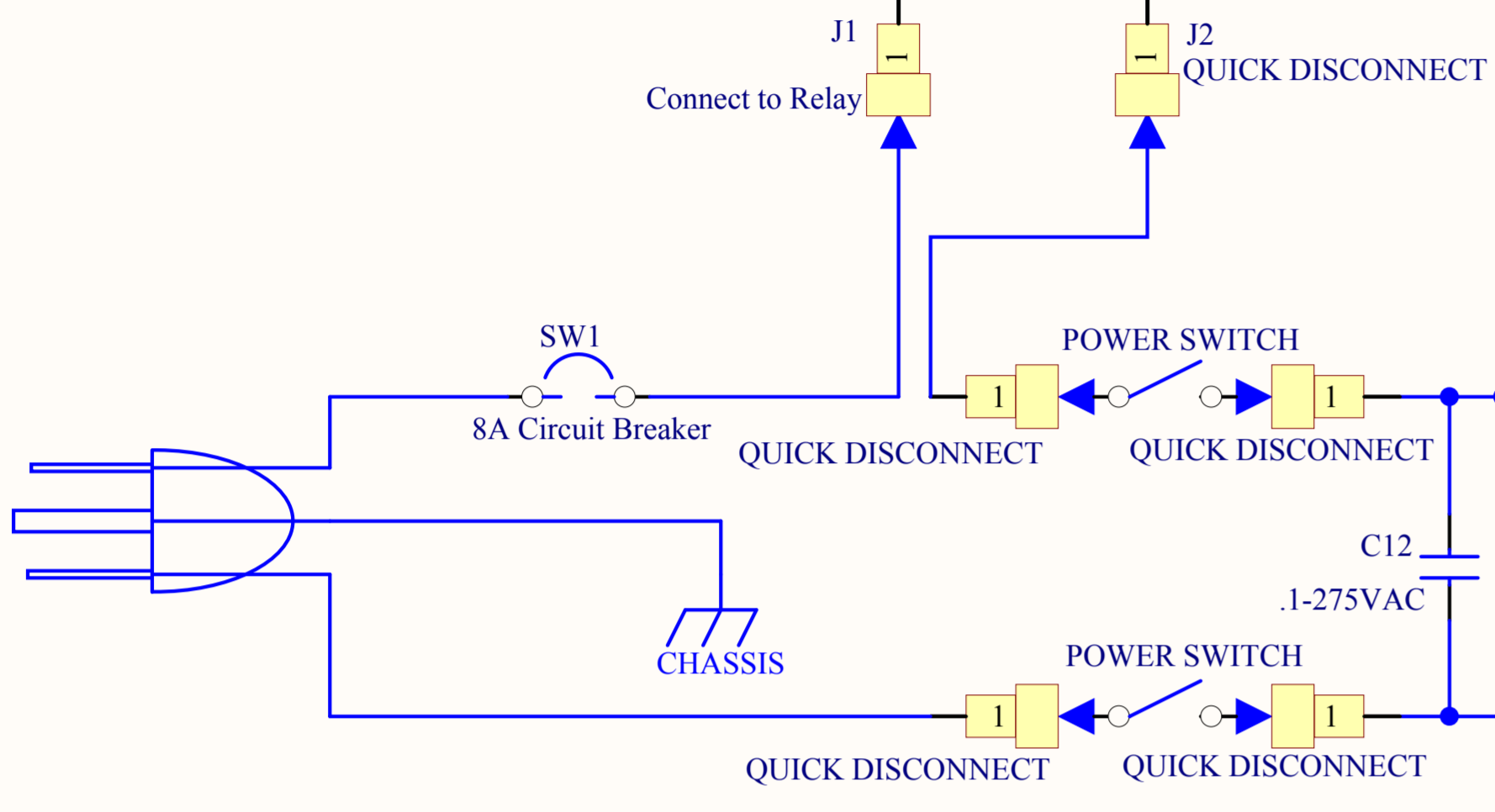
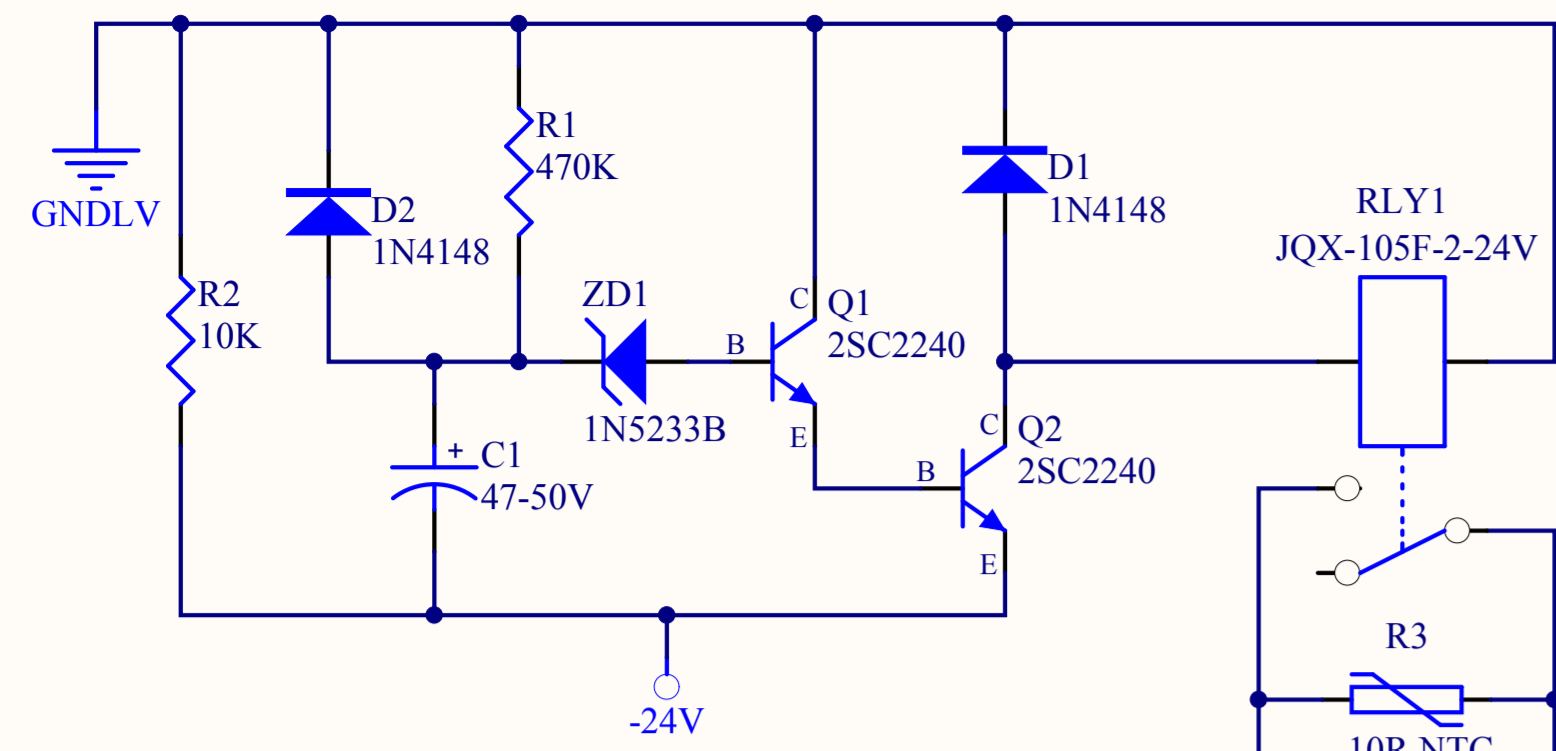
- MH1
- MH2
- MH3
- MH4
- MH5
- MH6
- MH7
- MH8
- MH9
- MH10
- MH11
- MH12

| | | |
|--------------------------------|---|--------------|
| Title | | |
| Acoustic B600H Power Amplifier | | |
| Size | Number | Revision |
| C | JRA | Rev C |
| Date: | 5/4/2009 | Sheet 1 of 1 |
| File: | C:\Documents and Settings\B600H Power Amp\B600H Power Amp 27Oct2008 JA.SchDoc | |



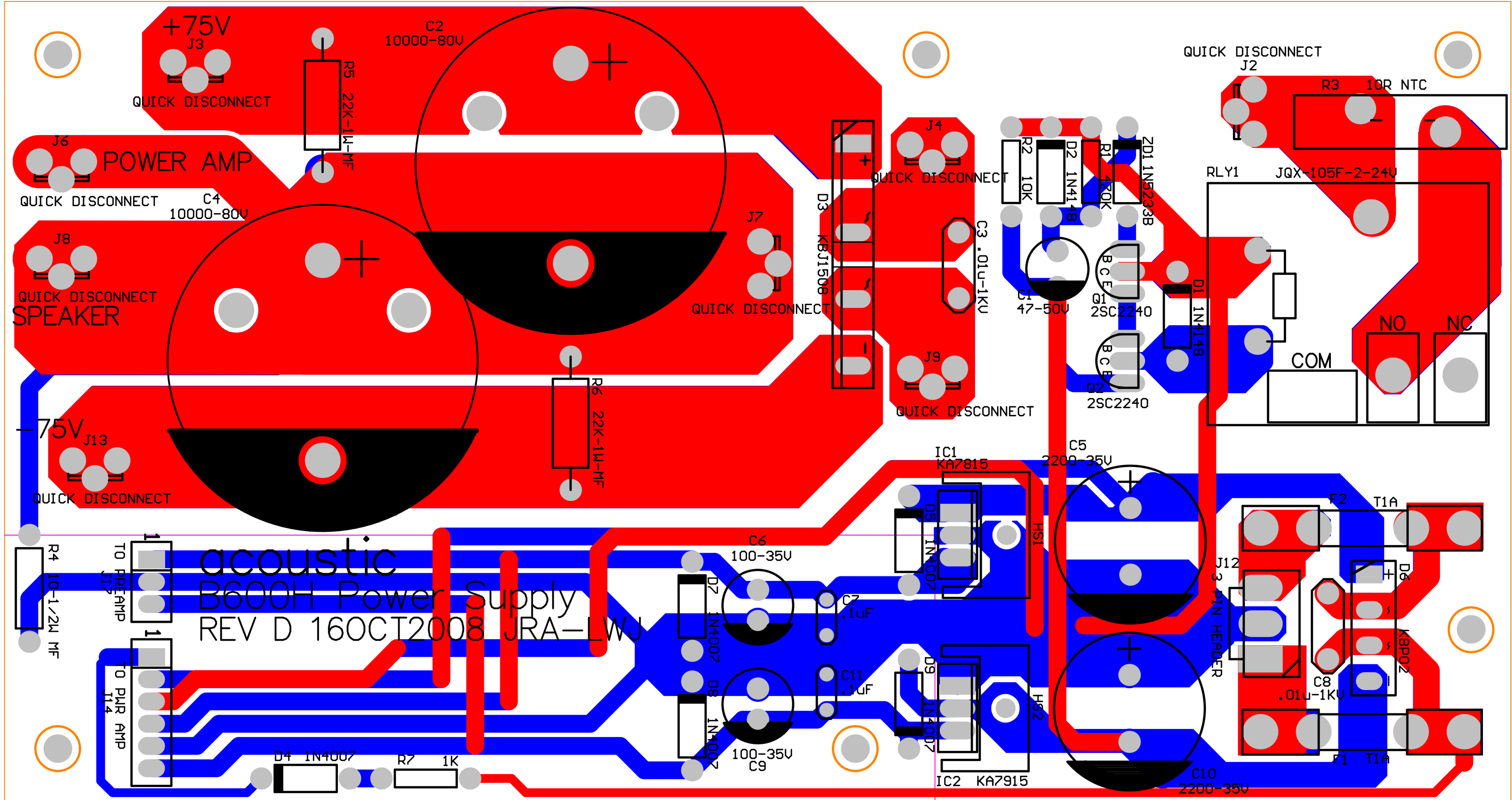
acoustic
 B600H Power Amp
 REV C 12Jan2009 JRA





| Title | | |
|------------------------------------|--|----------|
| Acoustic B600H Power Supply | | |
| Size | Number | Revision |
| B | JRA | Rev D |
| Date: | 4/23/2009 | Sheet of |
| File: | C:\Documents and Settings\...B600H PowerSupply RevD 5Dec2008 JA.SchDoc | |

170

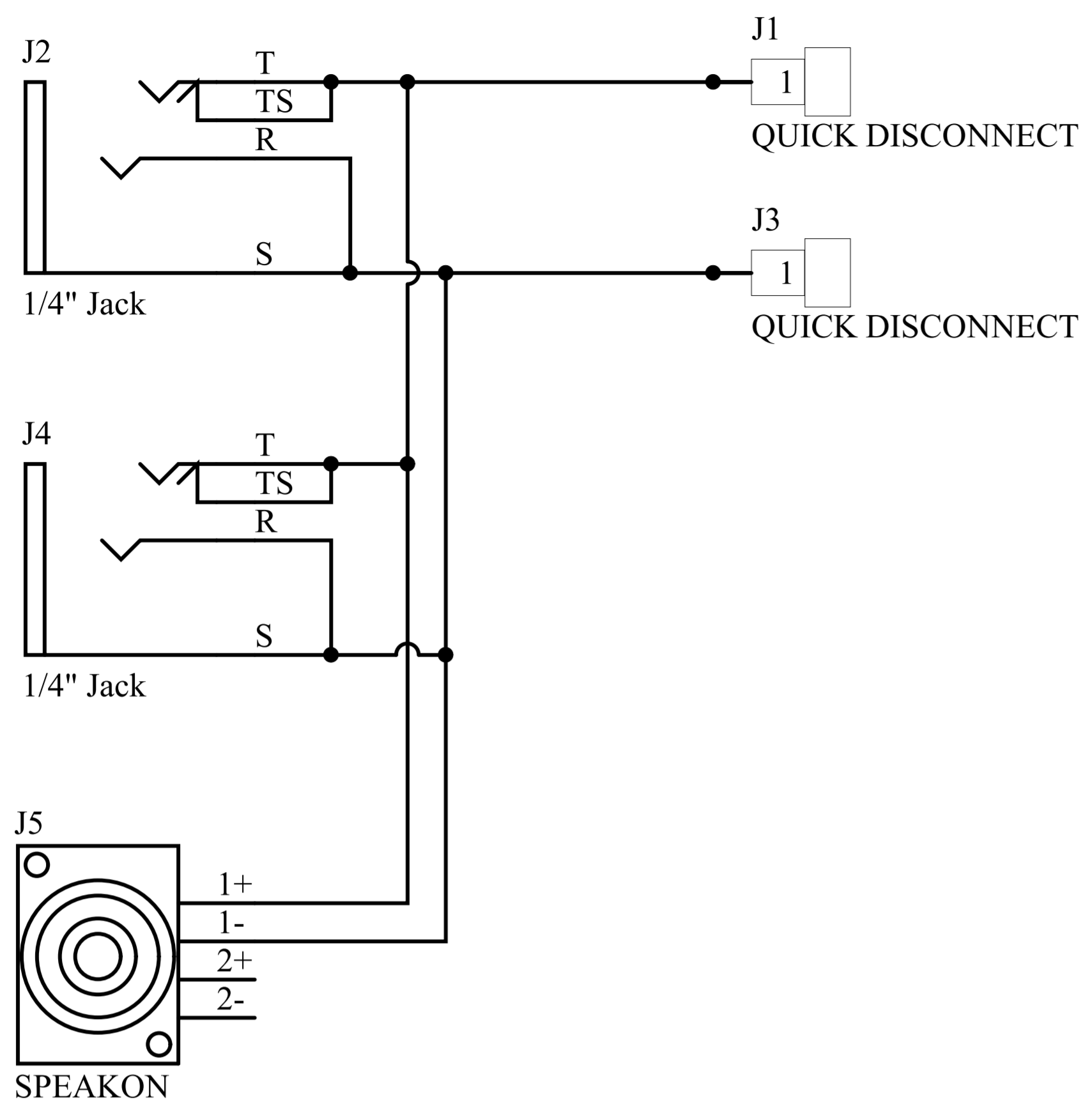


acoustic
B600H Power Supply
REV D 16OCT2008 JRA-LWJ

80

30

105



| | | | | | |
|-------|---|--|--------------------------|--|--|
| Title | | | B600H Speaker Jack Board | | |
| Size | Number | | Revision | | |
| A | | | Rev B | | |
| Date: | 5/12/2009 | | Sheet 1 of 1 | | |
| File: | C:\Documents and Settings\...B600H Speaker Jack Rev B.rtd JA.SchDoc | | | | |

60,00

40,80

25,80

10,80

0,00

