

SERVICE MANUAL

acoustic

G100T

acoustic control corporation

7949 WOODLEY AVENUE
VAN NUYS, CA 91406
(213) 997-6631

G100T & G100T-112

I. General Information

B. Specifications

1. Power Output -- 50/100 Watts at 5% Thd into 4 or 8 ohms.

2. Sensitivity @ 1KC for Full Output

Volume One Mode -- Approximately 55 mv

Volume Two Mode -- Approximately 1.5 mv

Effects Input -- Approximately 500 mv

3. Signal to Noise Ratio

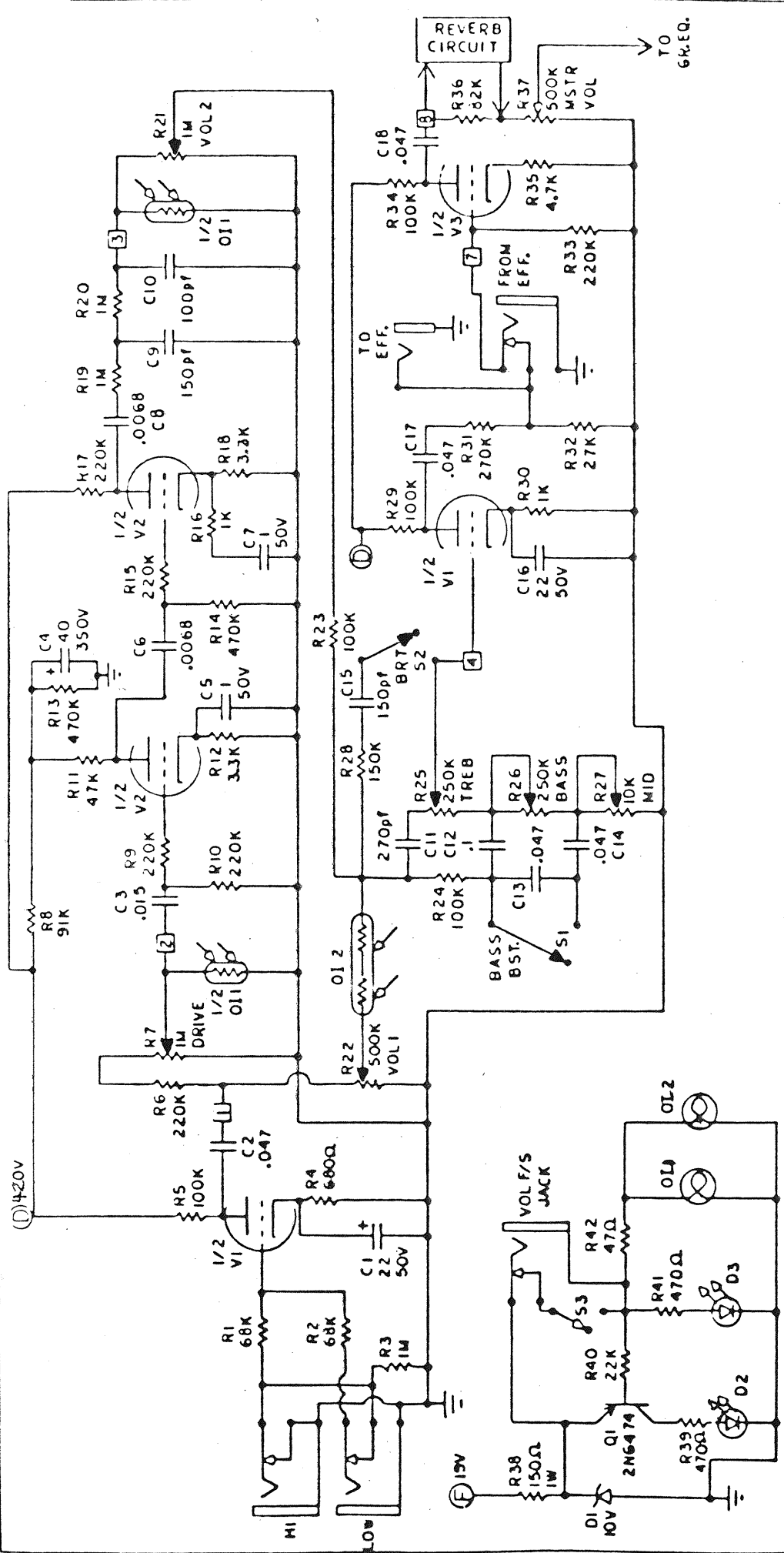
Volume One Mode -- Less than 10 mv, typically 5 mv

Volume Two Mode -- Less than 100 mv, typically 80 mv

Master down -- Less than 3 mv, typically 2.5 mv

Master up -- Less than 8 mv, typically 4 mv

Reverb up -- Less than 15 mv, typically 10 mv



6. ALL TUBES ARE 12AX7A/ 7026

4. REF PCB CALLOUTS.

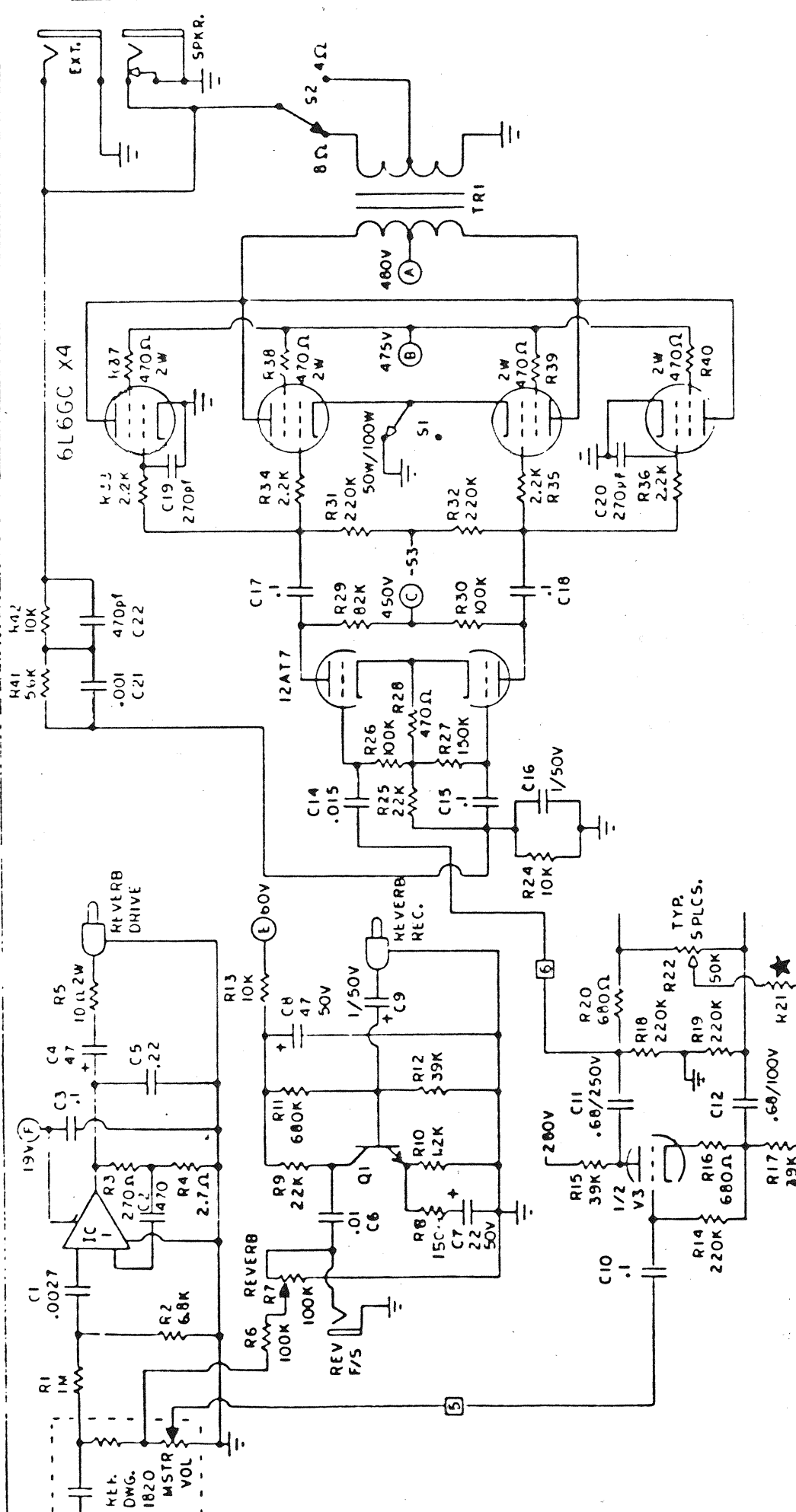
3. REF. PWR SUP SCHEM. (1819).

2. ALL RESISTORS 1/2 WATT UNLESS OTHERWISE NOTED

1. ALL CAPACITORS IN MID UNLESS OTHERWISE NOTED.

NOTES:

DATE 11/21/71	
BY: S. B. BAKER	DATE: 11/21/71
ACUSTIC control corp VAN DYKE, CALIFORNIA 91408	
TITLE PREAMP SCHEMATIC MODEL G100T	
REV: 0	PART NO: 1820
DO NOT SCALE THIS PRINT	



acoustic control corp
 van nuys, california 91400

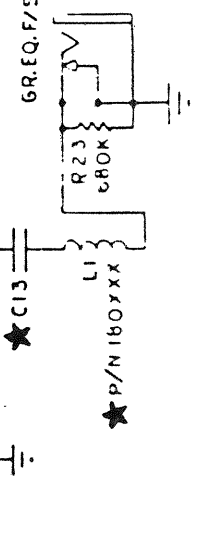
DATE: 1/7/57
 DRAWING NO: 1821
 TITLE: SCHEMATIC REVERB. GR. EQ. POWER AMP MODEL G100T

REVISIONS:
 NO. 1: 1/7/57
 NO. 2: 1/7/57

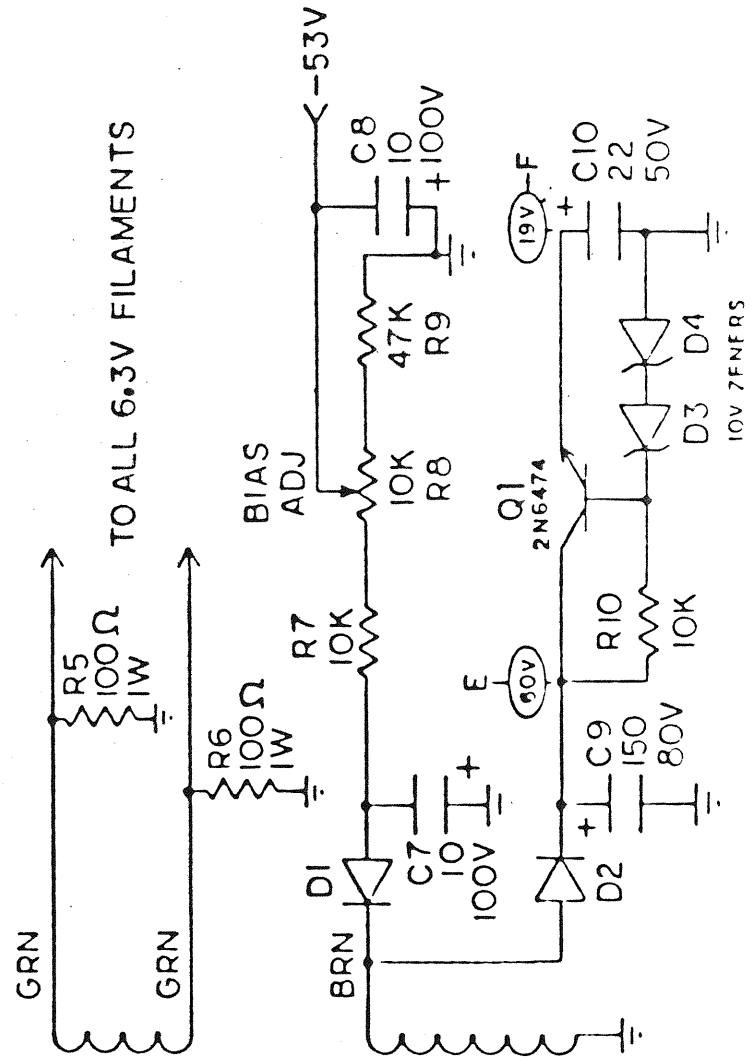
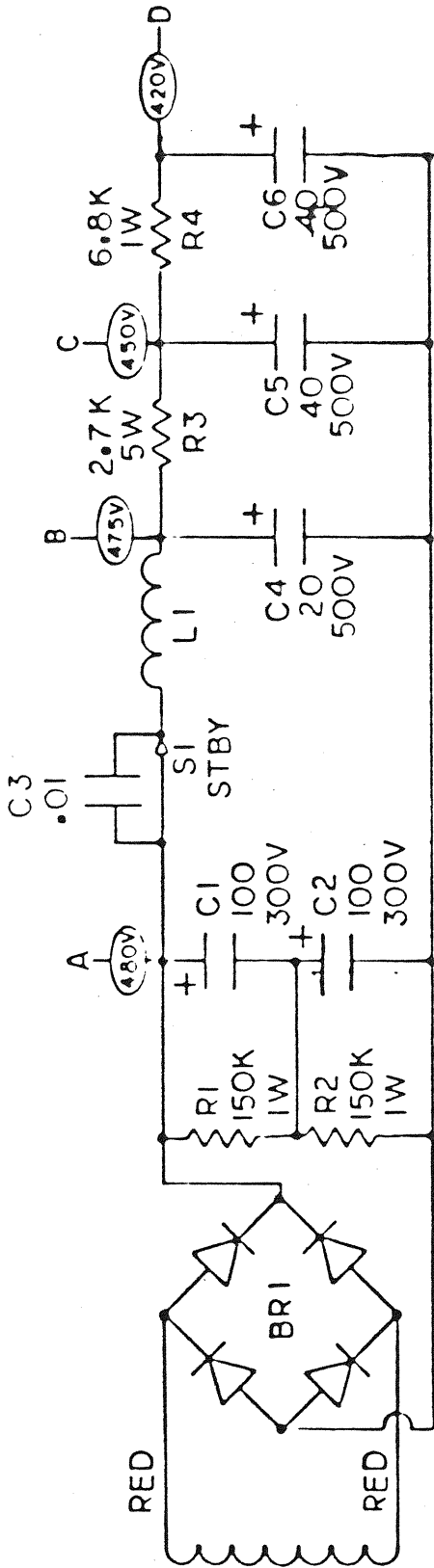
DESIGNED BY: []
 CHECKED BY: []
 PART NO: 1821
 REV: []

DO NOT SCALE THIS PRINT

- NOTES:
1. ALL CAPACITORS IN μ FD UNLESS OTHERWISE NOTED.
 2. ALL RESISTORS 1/8 WATT UNLESS OTHERWISE NOTED.
 3. \odot REF. PWR. SUP. SCHEM. (1819).
 4. \square REF. PCB LAYOUTS.
 5. G1-MPS A88



★	FREQ	100	220	800	2.5K	5K
	L1	007	006	005	003	012
	R21	1.2K	1.2K	1.2K	1K	1.2K
	C13	.68	.15	.039	.015	.0068



- NOTES:
1. ALL CAPACITORS IN MFD.
 2. \bigcirc DC VOLTAGE FROM GND., NO SIG. APPLIED.
 3. ALL RESISTORS 1/2W UNLESS NOTED OTHERWISE.

DATE	1/7/52
BY	W.M.C.
APPROVED	W.M.C.
REVISIONS	
DESCRIPTION	POWER SUPPLY SCHEMATIC
MODELS	080T & 0100T
FIG. NO.	1819
REV.	

ACOUSTIC control corp.
SAN ANTONIO, TEXAS 78201