

SERVICE MANUAL

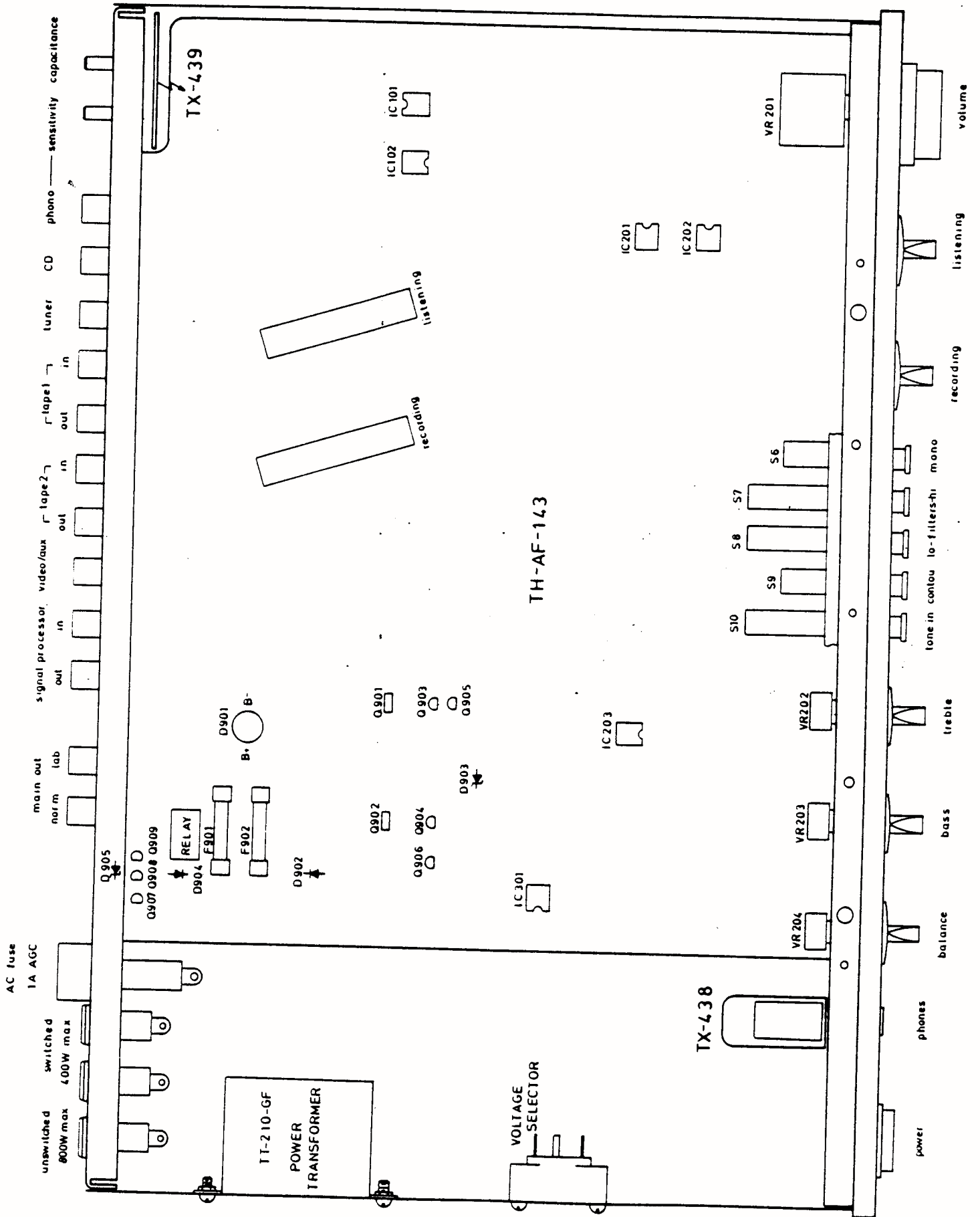
ADCOM[®] PREAMP GFP-555

TABLE OF CONTENTS

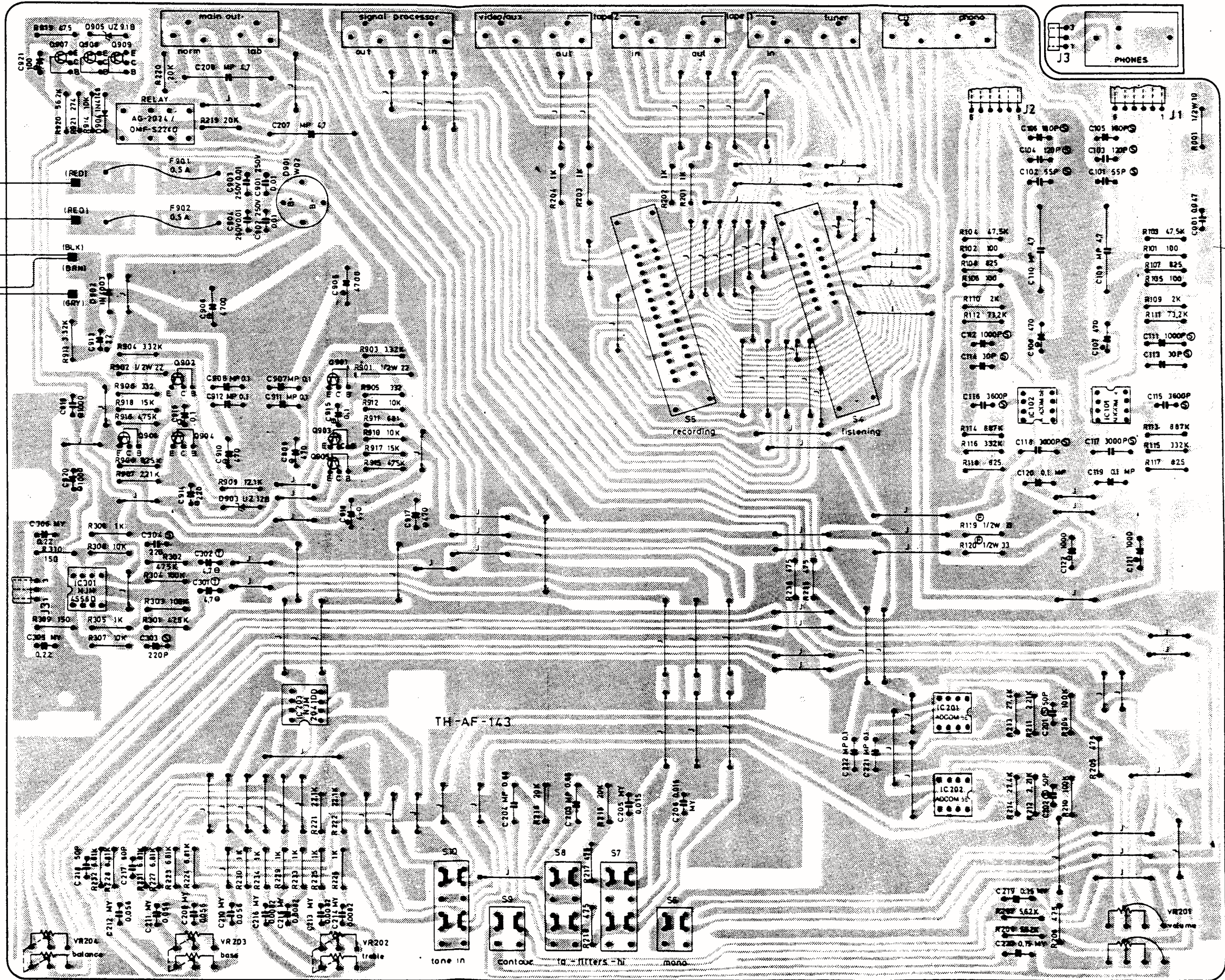
Chassis Layout	1
Wiring Diagram	2
Schematic Diagram	3
Repair Parts List	4

**ADCOM TECHNICAL
SERVICE DEPARTMENT**
11 Elkins Road
East Brunswick, NJ 08816
Telephone (201) 390-1130

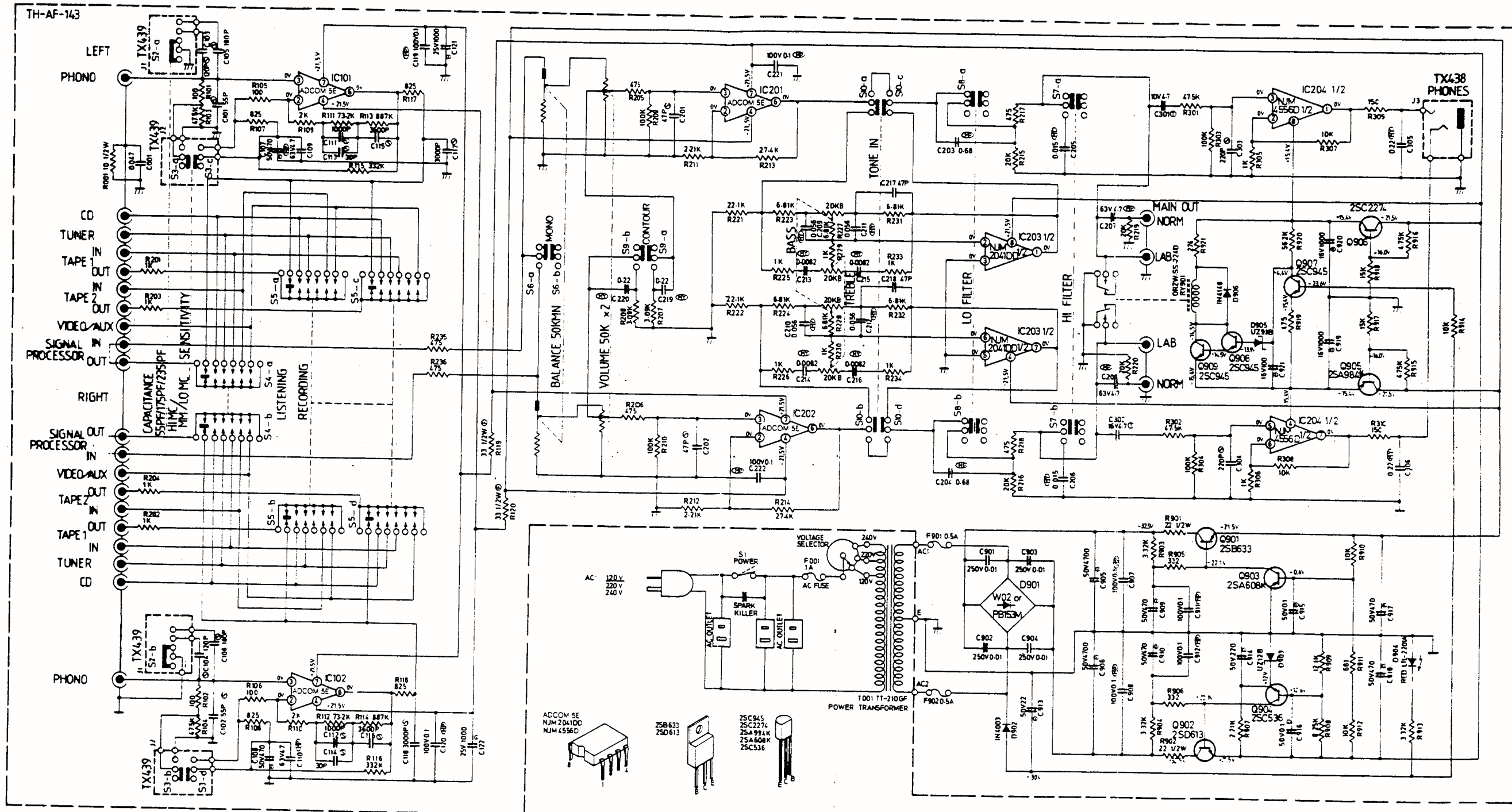
Chassis Layout Model GFP-555



Wiring Diagram Model GFP-555



Schematic Diagram Model GFP-555



Repair Parts List Model GFP-555

Schematic Location	Part #	Description
D901	DD10000123	Diode W02/PB153M
D902	DD10000068	Diode 1N4003/DS135C
D903	DD20000016	Diode UZ-12B(M.H)
D904	DD40000757	L.E.D. LTL-2201A 3F RED
D905	DD20000132	Diode UZ-9.1B
IC101	IC00001530	Integrated Circuit Adcom 5E
IC102	IC00001530	Integrated Circuit Adcom 5E
IC201	IC00001530	Integrated Circuit Adcom 5E
IC202	IC00001530	Integrated Circuit Adcom 5E
IC203	IC00001292	Integrated Circuit NJM2041DD
IC204	IC00001474	Integrated Circuit NJM4556D
Q901	TR20000051	Transistor W/BUSH P 2SB633 (D.E)
Q902	TR40000057	Transistor W/BUSH P 2SD613 (D.E)
Q903	TR10000126	Transistor 2SA608K (F.G)
Q904	TR30000390	Transistor 2SC536 (F)
Q905	TR10000140	Transistor 2SA984K (E.F)
Q906	TR30000121	Transistor 2SC2274 (E.F)
Q907	TR30000248	Transistor 2SC945/LC945
Q908	TR30000248	Transistor 2SC945/LC945
Q909	TR30000248	Transistor 2SC945/LC945
VR201	RV10001036	Mini Detent VR 051 C-4170A07 50Kx2 Volume
VR202	RV10000433	Variable Resistor 4TR-1742 20BKx2 Treble
VR203	RV10000433	Variable Resistor 4TR-1742 20BKx2 Bass
VR204	RV10001024	Variable Resistor 4TR-2246 50KMN Balance
S1	SH60000215	Rocker Power Switch 176 #1 BLACK
	SH60000227	Rocker Power Switch 176 #2 WHITE
S2	SH20000277	Slide Switch 4TR-2199 SSB023 9MM Capacitance
S3	SH20000265	Slide Switch 4TR-2172 SSB024 9MM Sensitivity
S4	SH60000173	Flex Slide Switch SSSR22 064 C-4174A54 Listening
S5	SH60000161	Flex Slide Switch 064 C-3440 SSR246 Recording
S6-S10	SH15000222	5 Key Push Switch 4TR-2229 Mono, Hi-Filter, Lo-Filter, Contour, Tone in
T001	PT21300095	Power Transformer TT-210-GF
	AA22220511	Front Panel 2TUL-1#1 (GFP-555)
	AA80000705	Front Panel 2TUL-1#2 (GFP-555W)
	KB10001229	Knob/LED 4TR-2210A#2 34F
	KB10001242	Knob/LED 4TR-2210A#4 34F.W
	KB10001217	Knob 4TR-2211#1 33F
	KB10001254	Knob 4TR-2211#2 33F.W
	KB10001354	Push Button 4TR-2213#1 9F
	KB10001421	Push button 4TR-2213#2 9F.W
	AU00000610	Upper Cover 3TR-2221#1
	CD00000231	AC Power Cord SPT-3