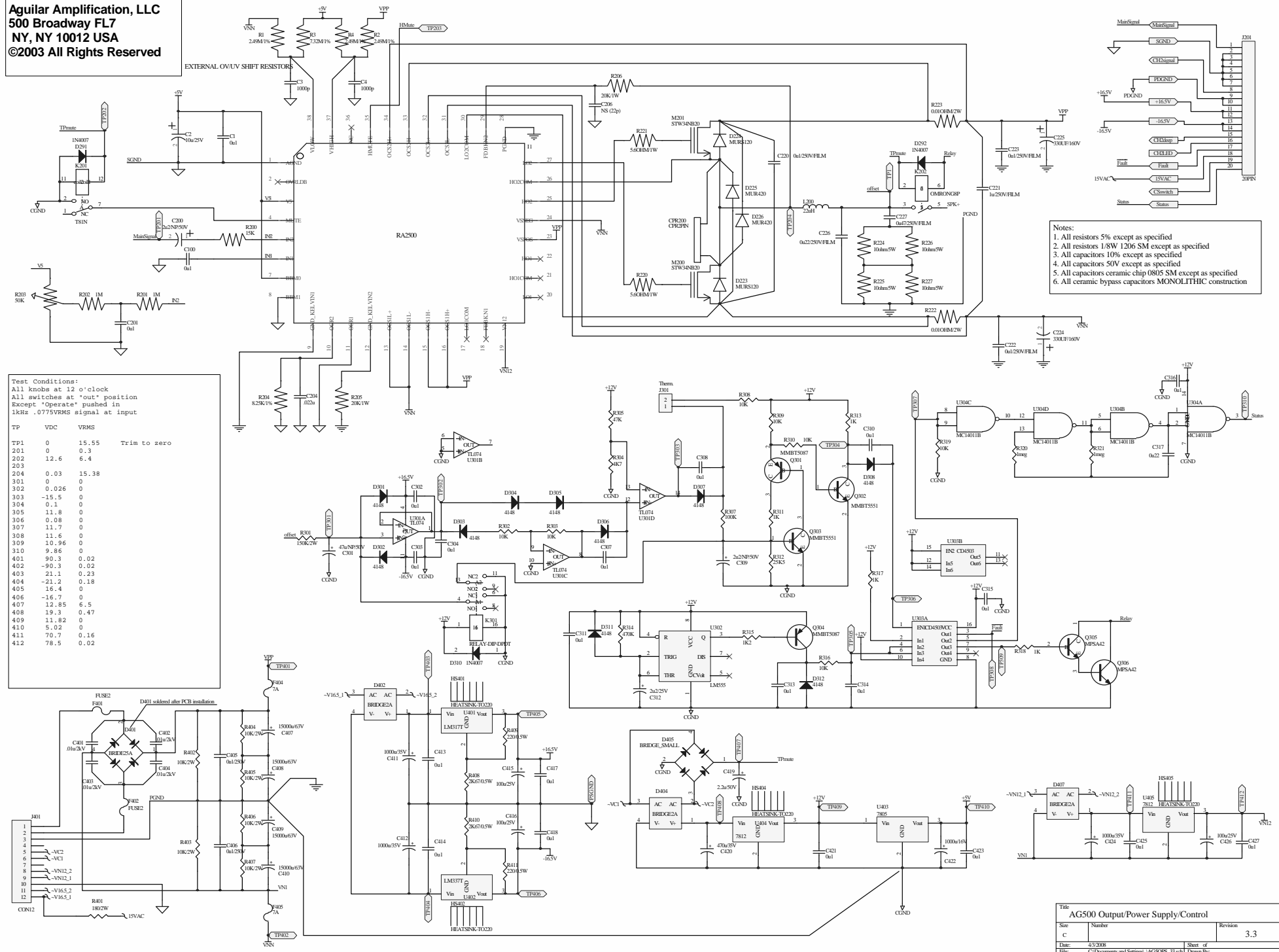


Aguilar Amplification, LLC
500 Broadway FL7
NY, NY 10012 USA
©2003 All Rights Reserved



- Notes:
1. All resistors 5% except as specified
 2. All resistors 1/8W 1206 SM except as specified
 3. All capacitors 10% except as specified
 4. All capacitors 50V except as specified
 5. All capacitors ceramic chip 0805 SM except as specified
 6. All ceramic bypass capacitors MONOLITHIC construction

Test Conditions:
 All knobs at 12 o'clock
 All switches at "out" position
 Except "Operate" pushed in
 1kHz .0775VRMS signal at input

TP	VDC	VRMS
TP1	0	15.55 Trim to zero
201	0	0.3
202	12.6	6.4
203		
204	0.03	15.38
301	0	0
302	0	0.26
303	-15.5	0
304	0.1	0
305	11.8	0
306	0.08	0
307	11.7	0
308	11.5	0
309	10.96	0
310	9.86	0
401	90.3	0.02
402	90.3	0.02
403	21.1	0.23
404	-21.2	0.18
405	16.4	0
406	-16.7	0
407	12.85	6.5
408	19.3	0.47
409	11.82	0
410	5.02	0
411	70.7	0.16
412	78.5	0.02