

ALLEN & HEATH LTD.

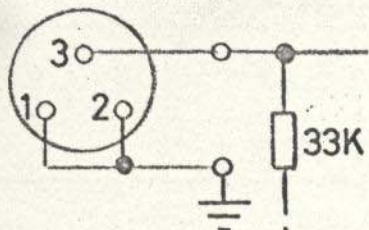
A.D.T. UNIT BLOCK DIAGRAM

No.	DESCRIPTION	ALTERATIONS	DRAWN	TRACED	CHECKED	APPROVED	DATE	SCALE
							21.9.76	

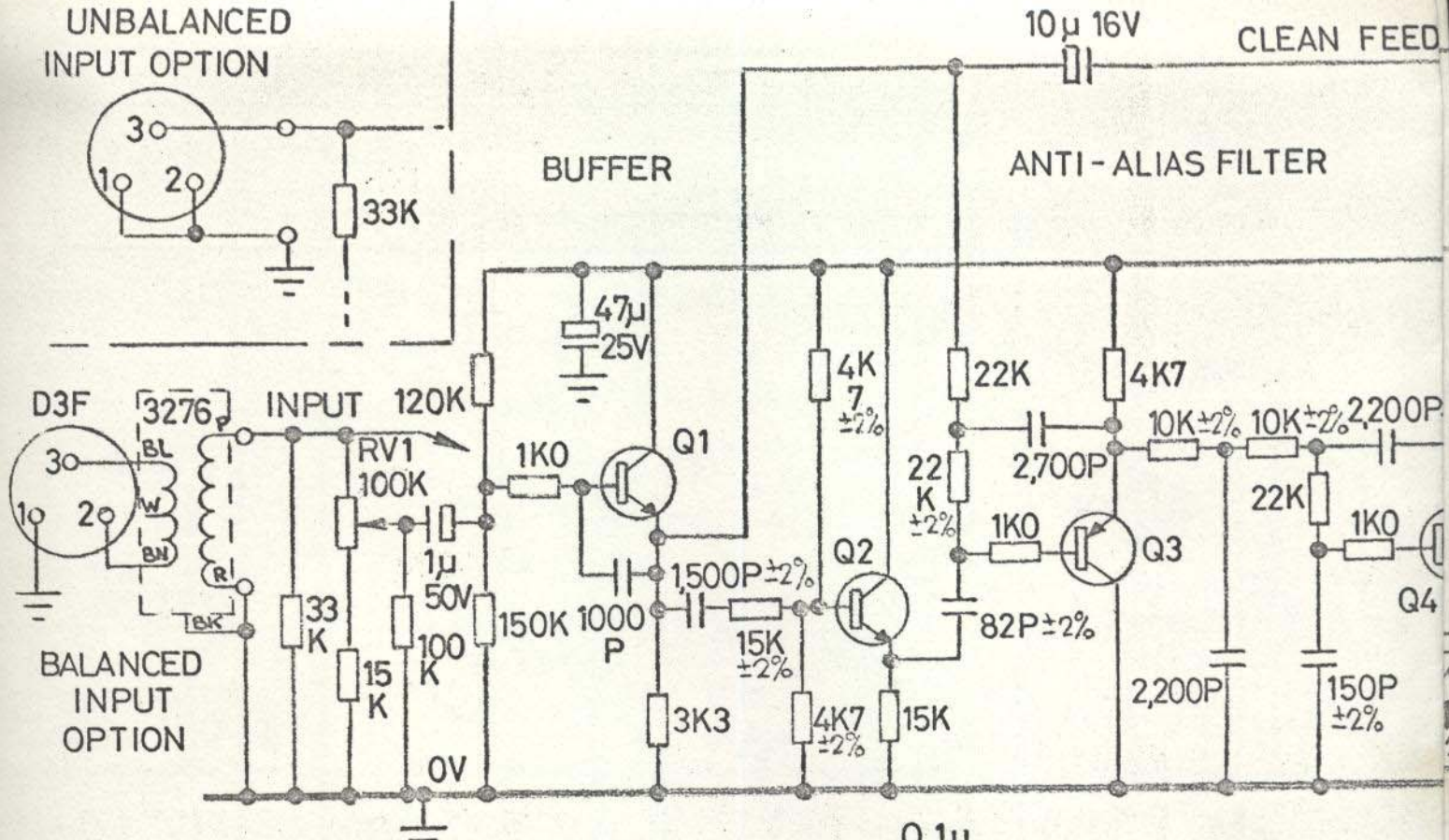
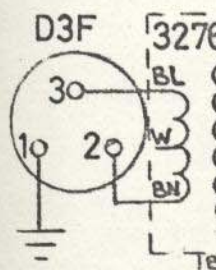
DRAWING No.

A.D.T. UNIT
BLOCK DIAGRAM

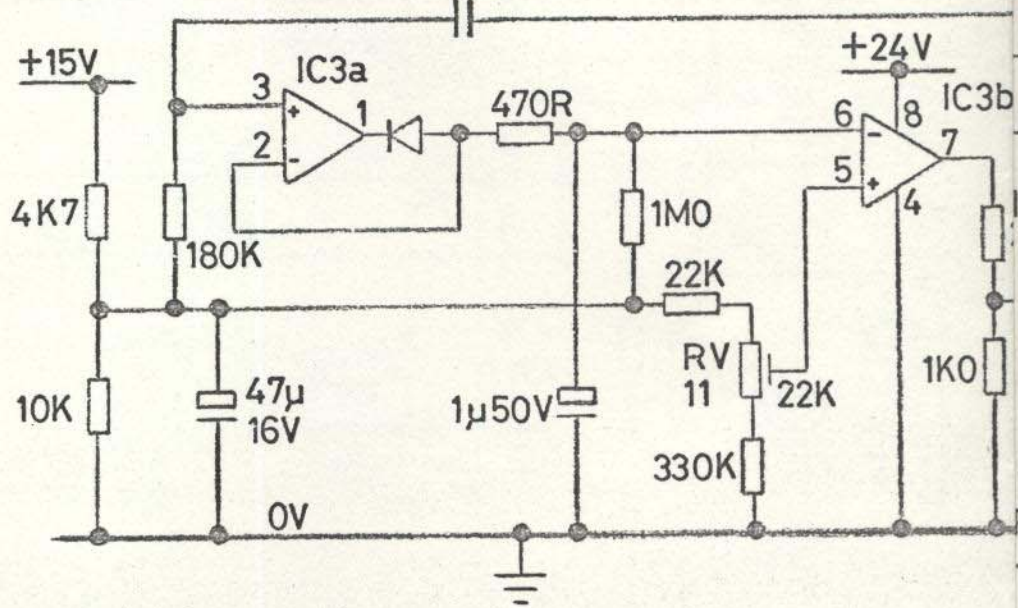
UNBALANCED INPUT OPTION



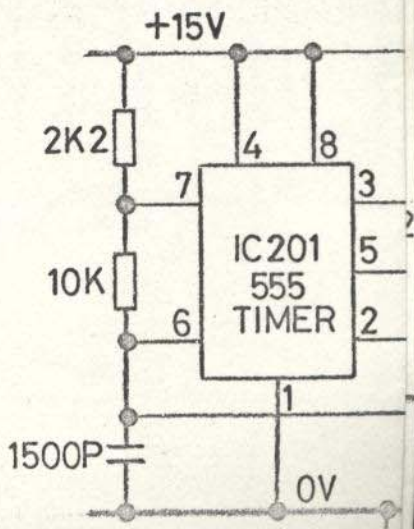
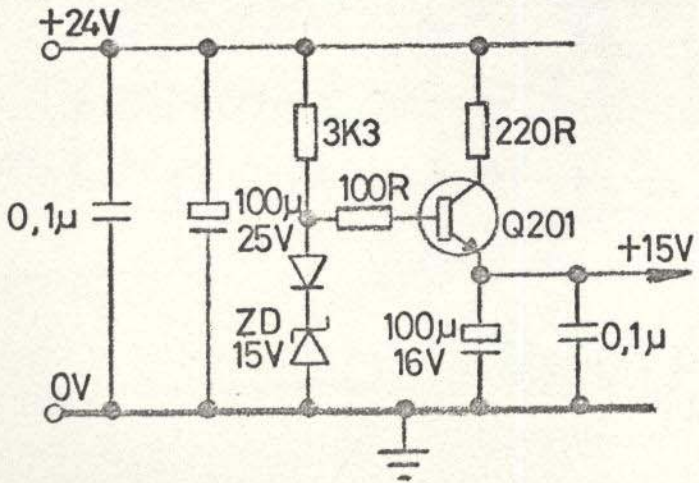
BALANCED INPUT OPTION



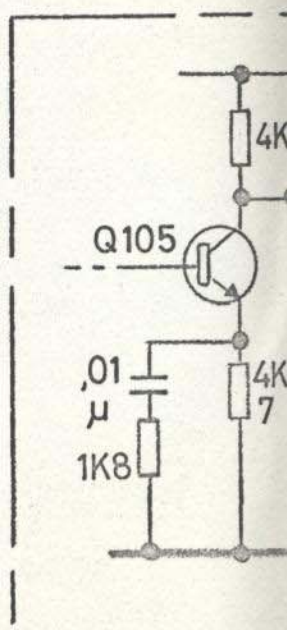
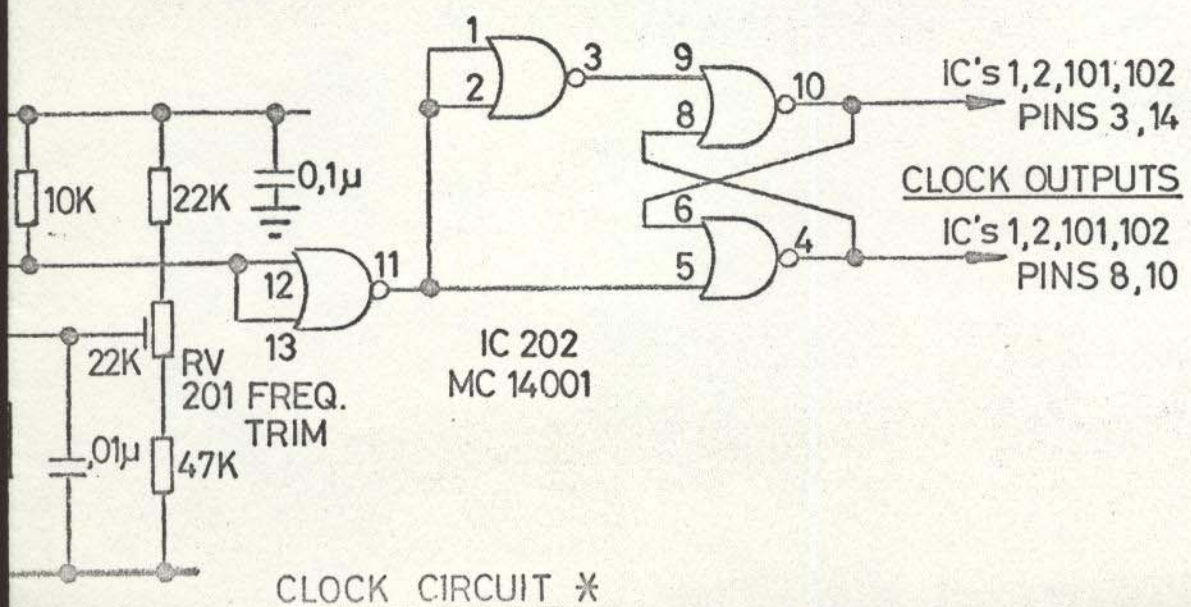
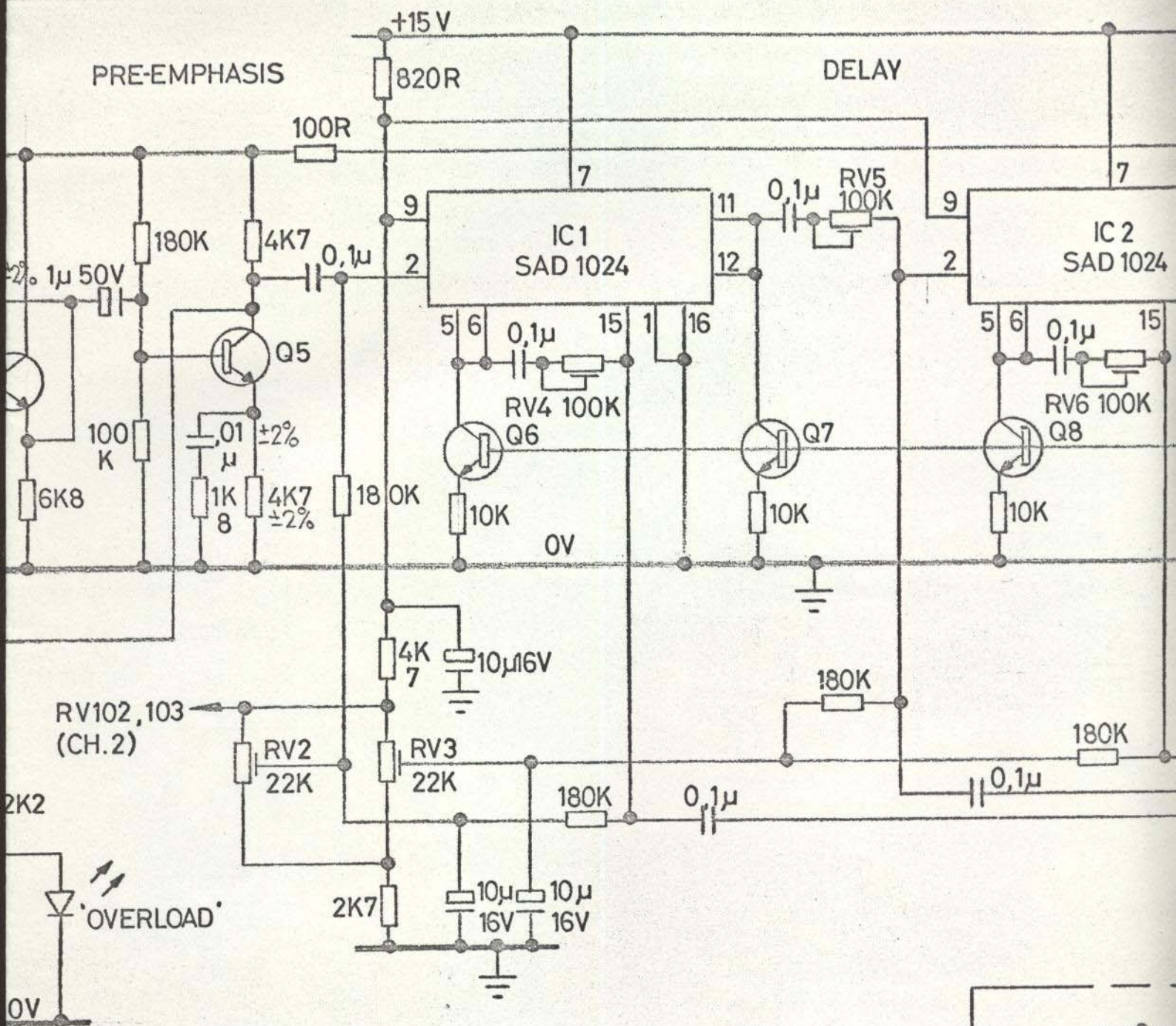
OVERLOAD CIRCUIT



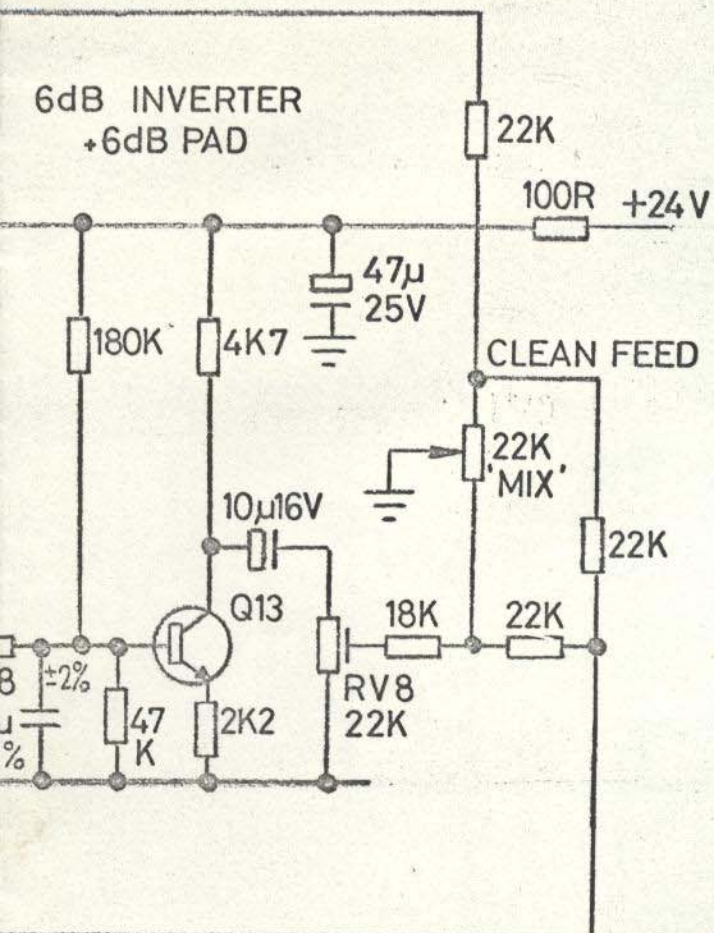
+15V SUPPLY CIRCUIT *



* COMMON TO BOTH CHANNELS



6dB INVERTER
+6dB PAD



STEREO A.D.T. UNIT
ISSUE 1
CHANNEL 1 ONLY SHOWN

ALL NPN TRANSISTORS TYPE 2SC732
ALL PNP TRANSISTORS TYPE 2SA562
ALL UNSPECIFIED DIODES TYPE 1N4148

LINE AMPLIFIER

