

ALLEN & HEATH



WARNING – HIGH VOLTAGES

Power Supply Unit (PSU) work should only be carried out by qualified personnel.

We recommend that you use an approved Allen & Heath service centre for all power supply work.

Please contact your local Allen & Heath distributor for more details.

<http://www.allen-heath.com/>

C4497_5
C4497_5.2 (Inputs).Sch

C4497_5
C4497_5.2 (Links etc).sch

C4497_5
C4497_5.2 (Outputs).Sch

C4497_5
C4497_5.2 (PSU).Sch

ISSUE	BY	DATE
A	RH	08/01
B	RH	1/10/01
1	JB	(psu mods)26-11-01
2	ST JB	03-01-02
3	JB	29-07-02
4	JB	5/9/02
5	IMcB	26/9/02
5.1 (cct only)	JB	14-05-09
5.2	AAT	

FILE: C4497_5.2.Sch

PRINTED: 14:39:10 13-May-2009

TITLE: DR SWITCH

PAGE:

DRG No: AG4497

ISSUE: 5.2

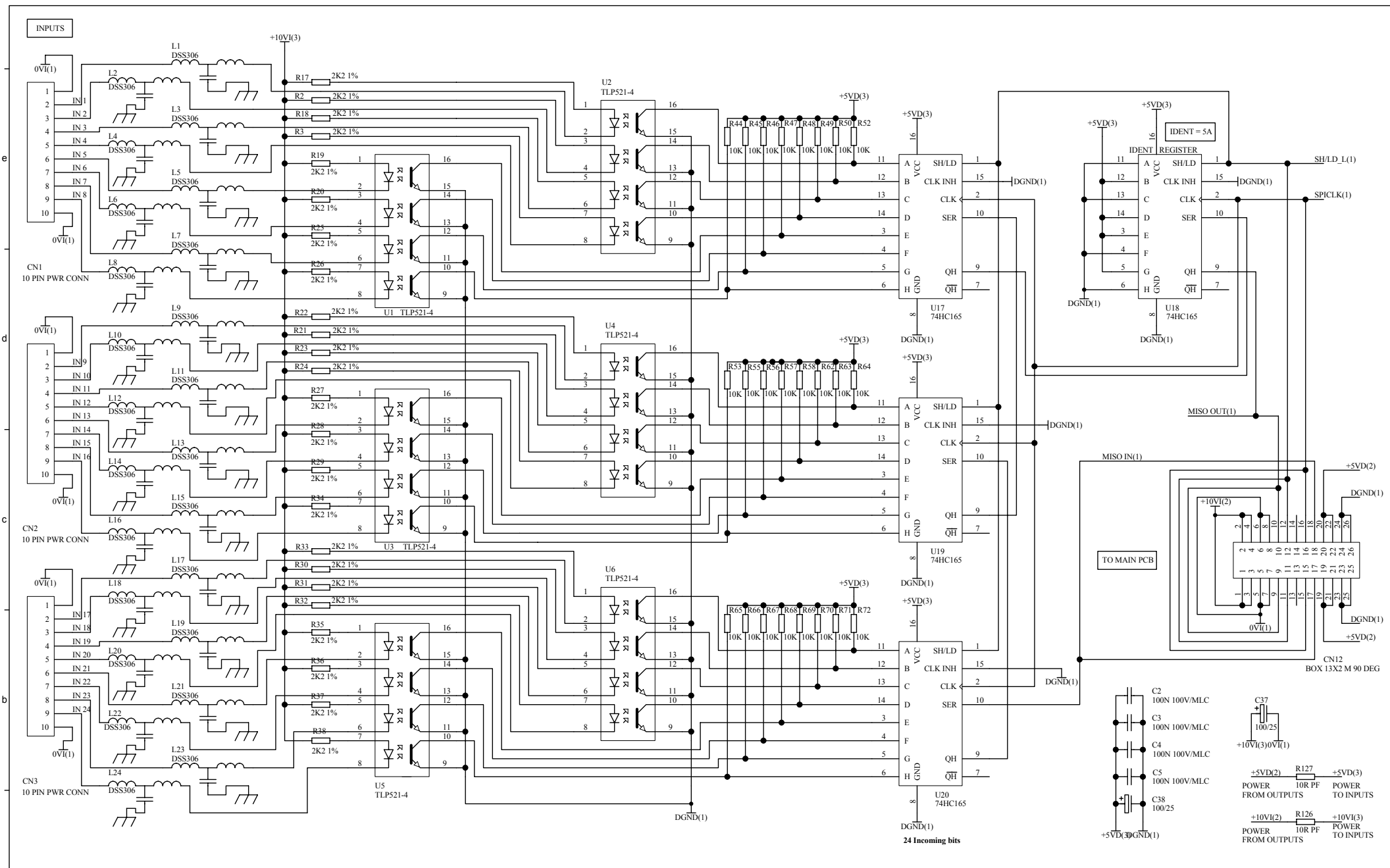
SHEET: 1 OF 5

A3

ALLEN&HEATH

Kernick Industrial Estate,
Penryn, Cornwall,
England. TR10 9LU

Tel: +44 (0)8707 556250
Fax: +44 (0)8707 556251



ISSUE	BY	DATE
A	RH	08/01
B	RH	1/10/01
1	JB	(psu mods)26-11-01
2	ST JB	
3	JB	03-01-02
4	JB	29-07-02
5	IMeB	5/9/02
5.1	JB	26/9/02
5.2	AAT	14-05-09

FILE: C4497_5.2 (Inputs).Sch
 PRINTED: 14:39:10 13-May-2009

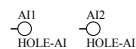
TITLE: DR SWITCH INPUTS
 PAGE:
 DRG No: AG4497
 ISSUE: 5.2
 SHEET: 3 OF 5
 A3

ALLEN&HEATH
 Kernick Industrial Estate,
 Penryn, Cornwall,
 England. TR10 9LU
 Tel: +44 (0)8707 556250
 Fax: +44 (0)8707 556251

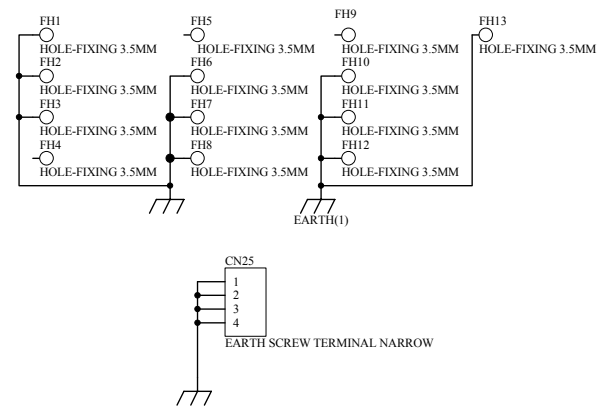
TC LINKS



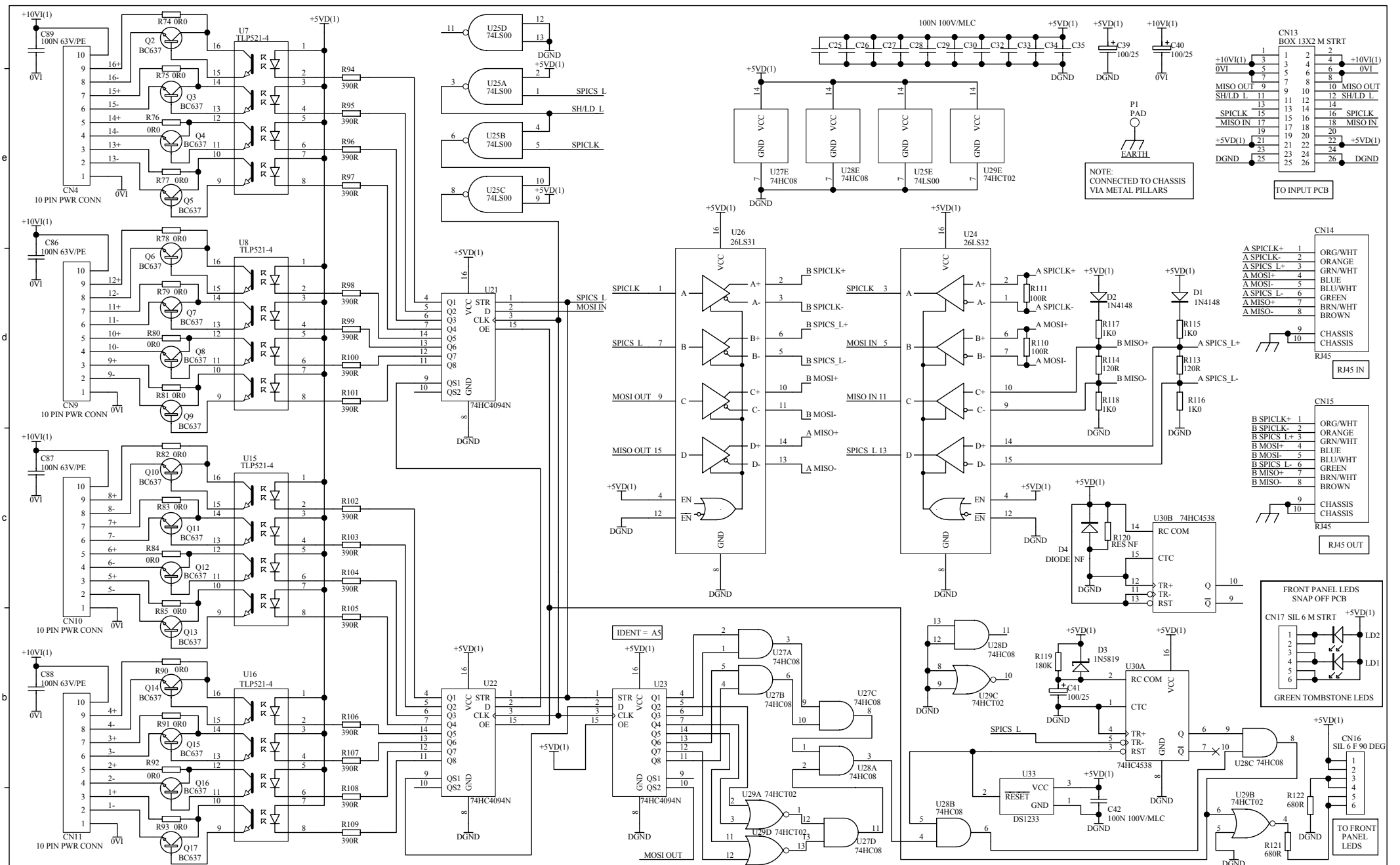
AI HOLES



FIXING HOLES



ISSUE	BY	DATE			TITLE: DR SWITCH	ALLEN&HEATH Kernick Industrial Estate, Penryn, Cornwall, England. TR10 9LU Tel: +44 (0)8707 556250 Fax: +44 (0)8707 556251			
A	RH				PAGE: LINKS, FIXINGS AND AI HOLES				
B	RH	08/01			DRG No: AG4497	ISSUE: 5.2	SHEET: 5 OF 5	A3	
1	JB	1/10/01							
2	ST JB	(psu mods)26-11-01							
3	JB	03-01-02							
4	JB	29-07-02							
5	IMcB	5/9/02							
5-1 cet only	JB	26/9/02							
5.2	AAT	14-05-09	FILE: C4497_5.2 (Links etc).sch	PRINTED: 14:39:10 13-May-2009					



ISSUE	BY	DATE
A	RH	
B	RH	08/01
1	JB	1/10/01
2	ST JB	(psu mods)26-11-01
3	JB	03-01-02
4	JB	29-07-02
5	IMcB	5/9/02
5.1 cct only	JB	26/9/02
5.2	AAT	14-05-09

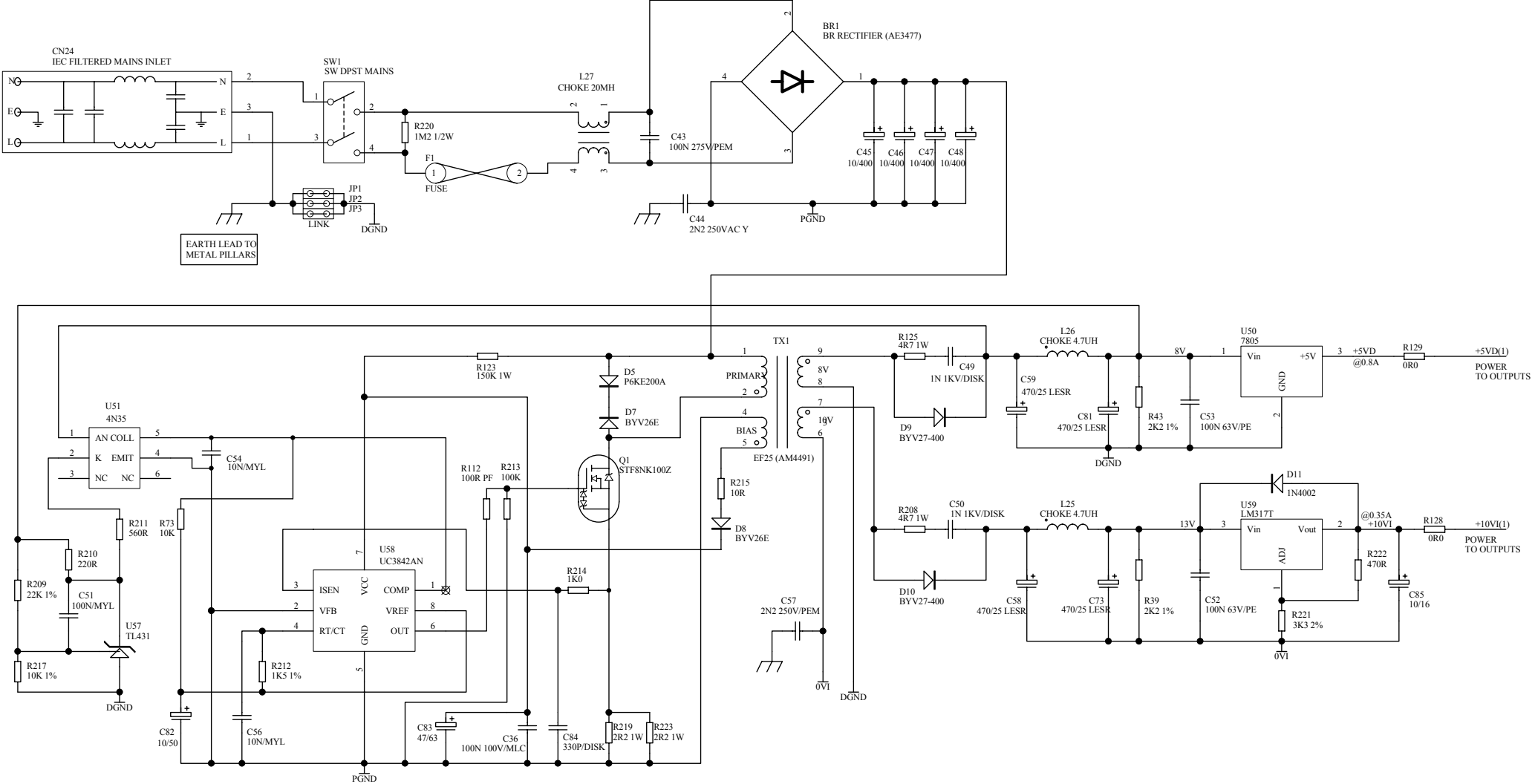
FILE: C4497_5.2 (Outputs).Sch	PRINTED: 14:39:10 13-May-2009
-------------------------------	-------------------------------

TITLE: DR SWITCH OUTPUTS
PAGE:
DRG No: AG4497
ISSUE: 5.2
SHEET: 4 OF 5
A3

ALLEN&HEATH
 Kernick Industrial Estate,
 Penryn, Cornwall,
 England. TR10 9LU
 Tel: +44 (0)8707 556250
 Fax: +44 (0)8707 556251

DANGER - HIGH VOLTAGE
DISCONNECT POWER BEFORE REMOVING PSU

REFER SERVICE WORK TO QUALIFIED SERVICE PERSONNEL ONLY



ISSUE	BY	DATE
A	RH	08/01
B	RH	1/10/01
1	JB	(psu mods)26-11-01
2	ST JB	03-01-02
3	JB	29-07-02
4	JB	5/9/02
5	IMcB	26/9/02
5-1cct only	JB	14-05-09
5.2	AAT	

FILE: C4497_5.2 (PSU).Sch	PRINTED: 14:39:10 13-May-2009
---------------------------	-------------------------------

TITLE: DR SWITCH PSU
PAGE:
DRG No: AG4497
ISSUE: 5.2
SHEET: 2 OF 5
A3

ALLEN&HEATH
 Kernick Industrial Estate,
 Penryn, Cornwall,
 England. TR10 9LU
 Tel: +44 (0)8707 556250
 Fax: +44 (0)8707 556251