

ALLEN & HEATH



WARNING – HIGH VOLTAGES

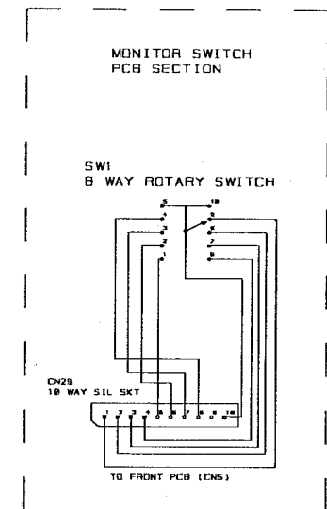
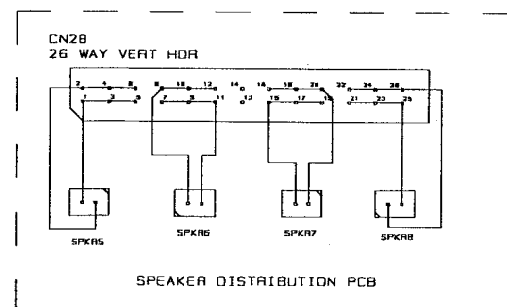
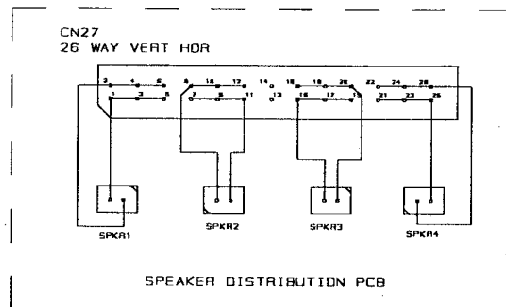
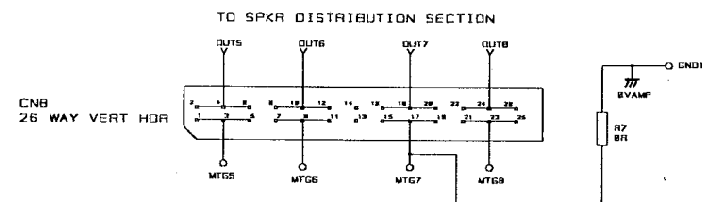
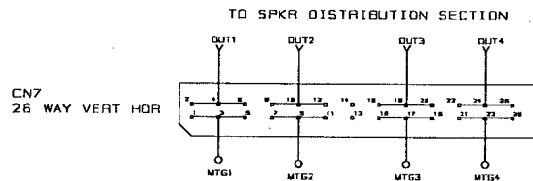
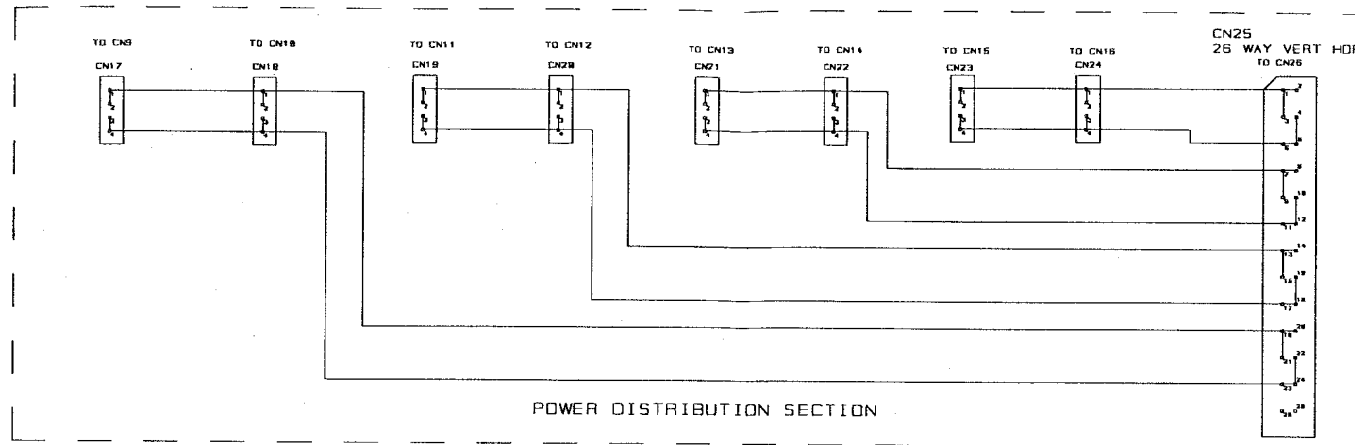
Power Supply Unit (PSU) work should only be carried out by qualified personnel.

We recommend that you use an approved Allen & Heath service centre for all power supply work.

Please contact your local Allen & Heath distributor for more details.

<http://www.allen-heath.com/>

| INITIAL | ISSUE | DATE |
|---------|-------|---------|
| MOG | 2 | 19-7-99 |



ALLEN & HEATH
COPYRIGHT OF THIS DRAWING
WHICH IS NOT TO BE COPIED,
REPRODUCED OR DISCLOSED, IN PART
OR IN WHOLE TO A THIRD PARTY
WITHOUT WRITTEN PERMISSION.

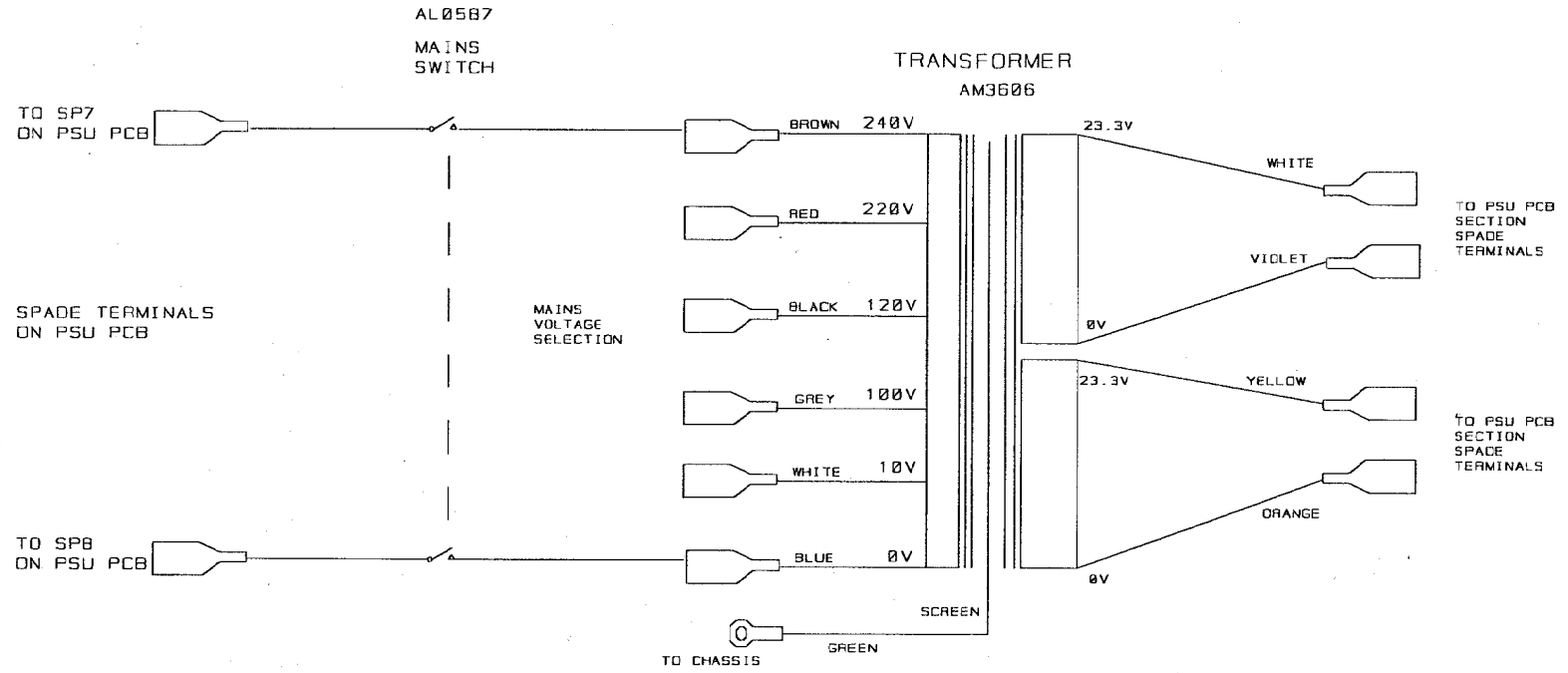
NOTES

DRW. MOG

ALLEN & HEATH
HARMAN INT. INDUSTRIES LTD.
KERNICK INDUSTRIAL EST
PENRYN
CORNWALL
TR18 5LU
TEL: 81325 372678
FAX: 81325 377697

TITLE
GR8-A AMP PCB

ORG NO.
ED 3552



ALLEN & HEATH
COPYRIGHT OF THIS DRAWING
WHICH IS NOT TO BE COPIED,
REPRODUCED OR DISCLOSED, IN PART
OR IN WHOLE TO A THIRD PARTY
WITHOUT WRITTEN PERMISSION.

NOTES

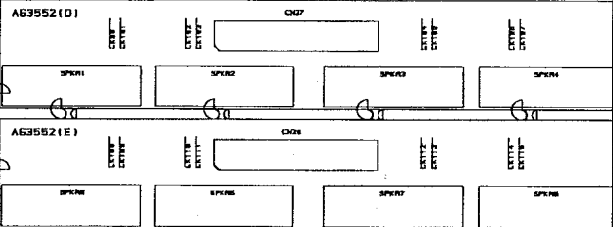
DRN. MDG

ALLEN & HEATH
HARMAN INT. INDUSTRIES LTD.
KERNICK INDUSTRIAL EST
PENRYN
EDRINWALL
TR18 8LU
TEL: 81326 372878
FAX: 81326 377897

TITLE
GRB-A
MAINS POWER
CIRCUIT

ORG NO. ED 3552

AG3552(F)
ISSUE 2



ALLEN & HEATH GR8-A AMP PCB

AG3552(B) ISS 2

