

# ALLEN & HEATH



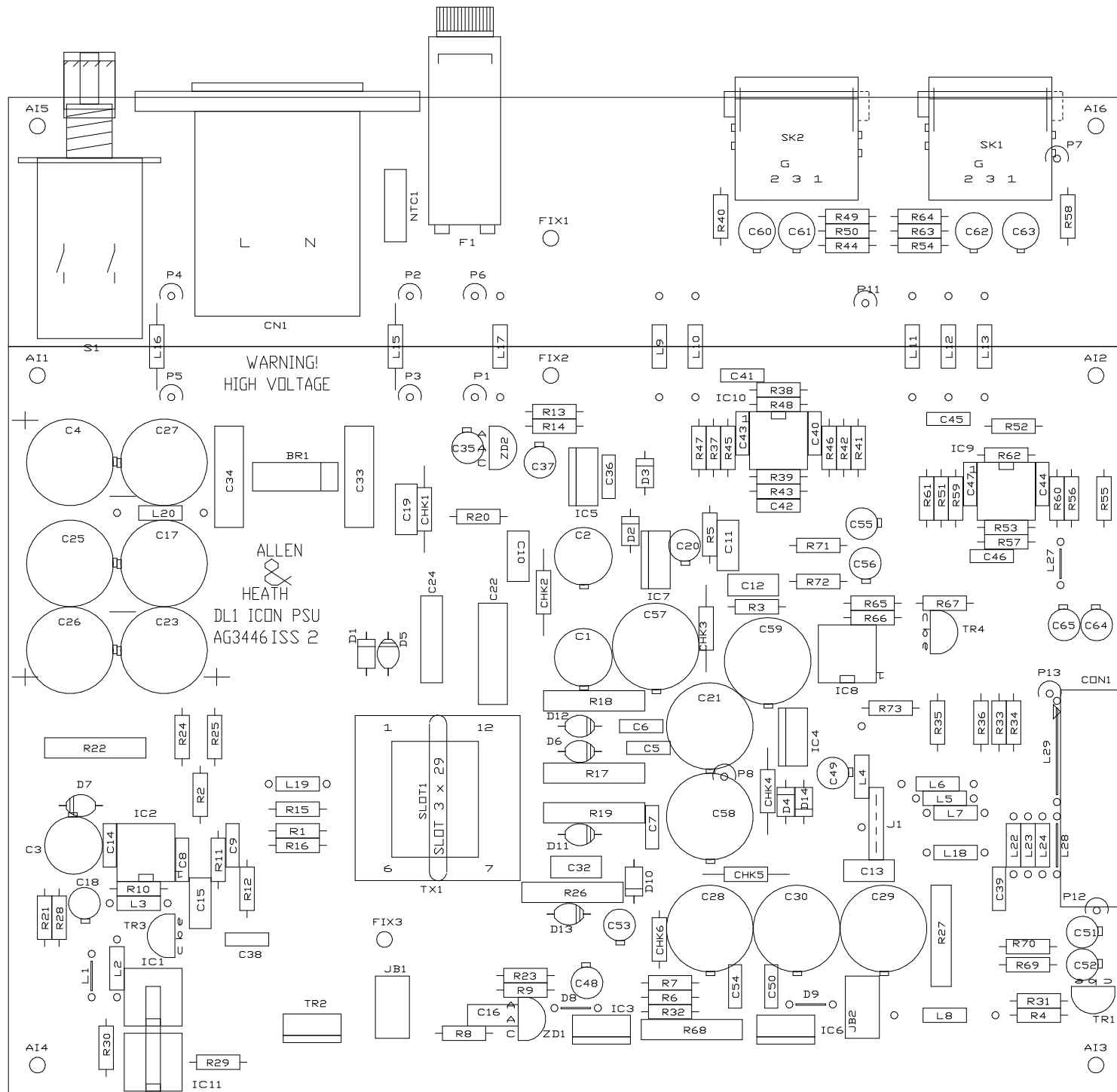
## **WARNING – HIGH VOLTAGES**

Power Supply Unit (PSU) work should only be carried out by qualified personnel.

We recommend that you use an approved Allen & Heath service centre for all power supply work.

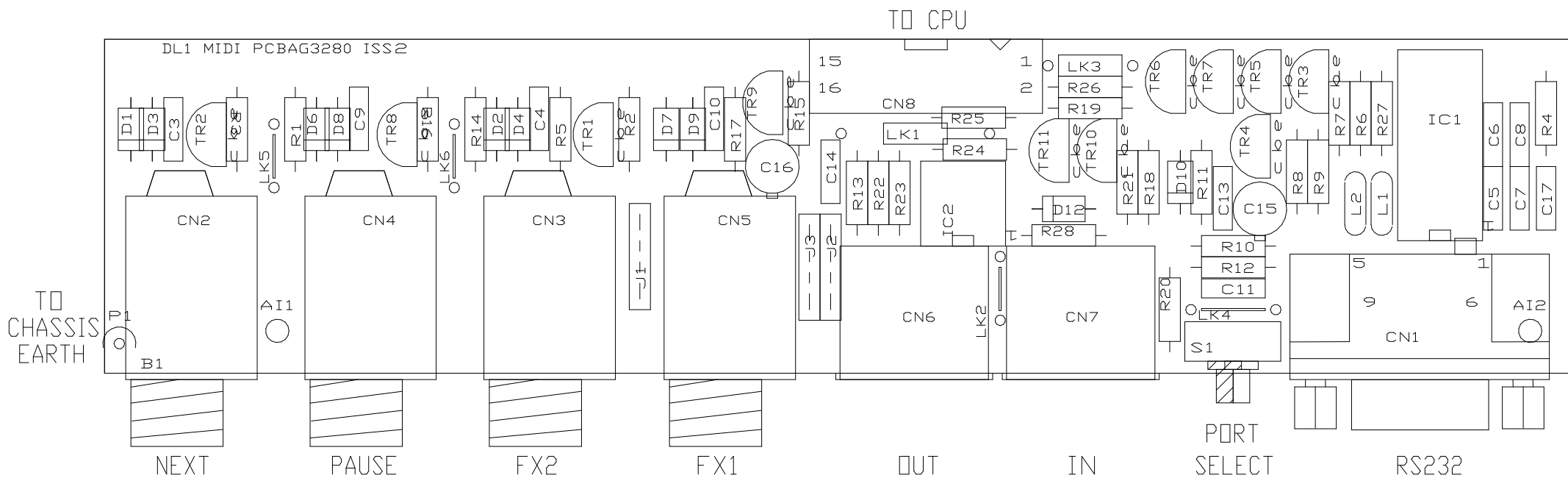
Please contact your local Allen & Heath distributor for more details.

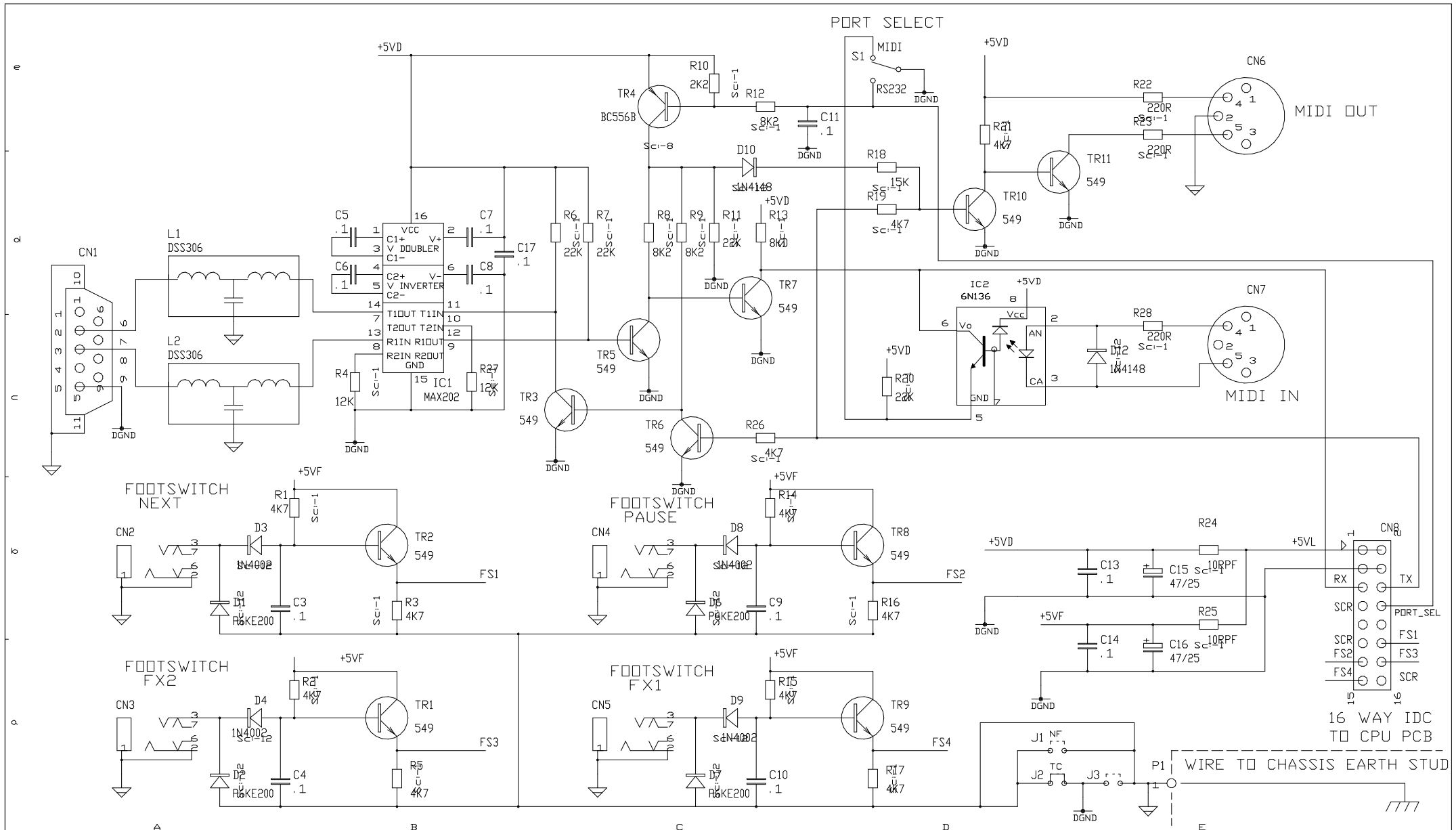
<http://www.allen-heath.com/>





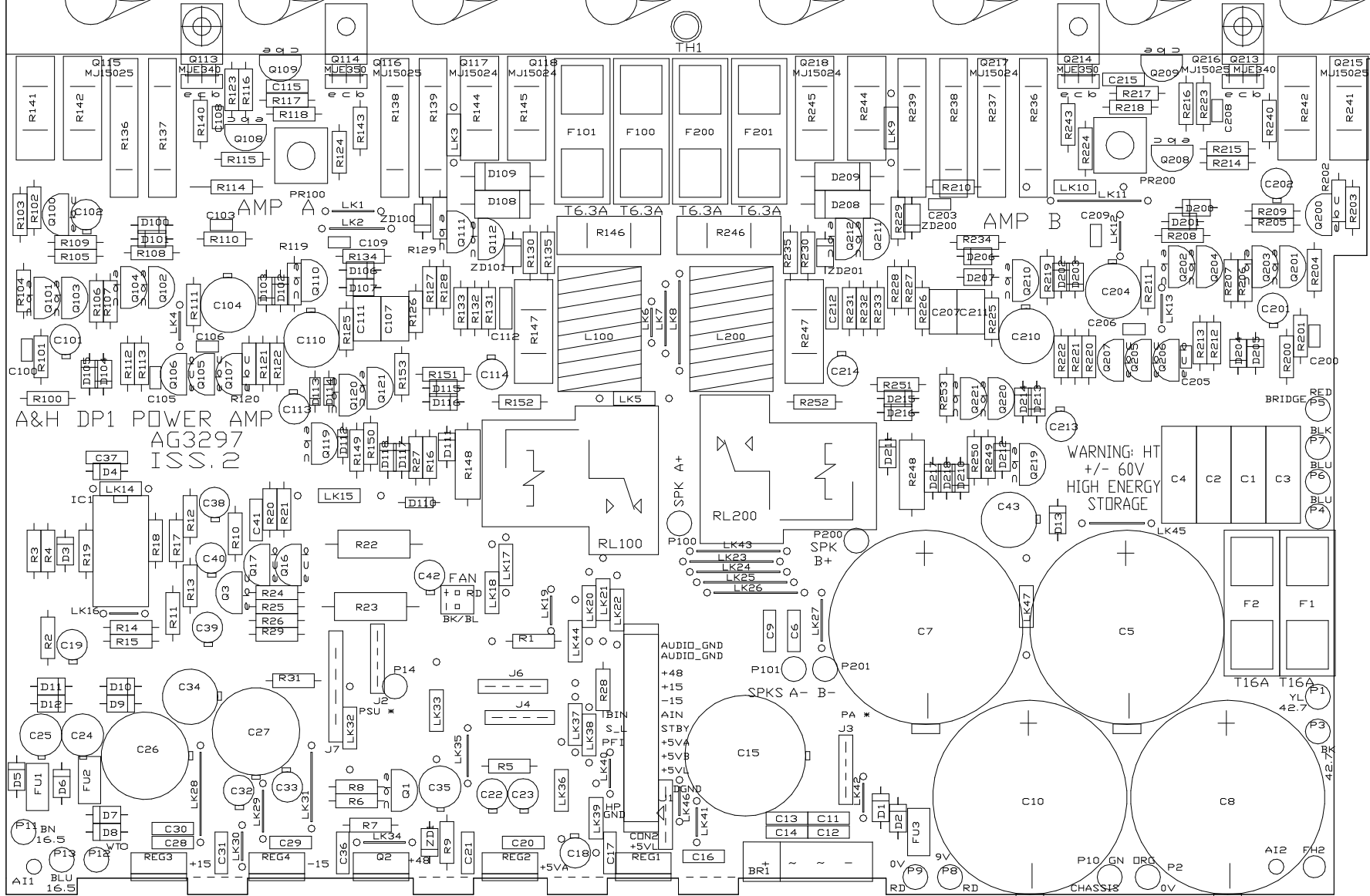
DL1 MIDI PCBAG3280 ISS2





ISS.	REVISION	BY	DATE	NOTES	UNIT TITLE	MANUFACTURED IN ENGLAND BY	
A	ORIGIN	DRP	11-3-98	1. RESISTORS MARKED * ARE 1% ALL OTHERS ARE 5% 1/4W UNLESS OTHERWISE MARKED 2. ELECTROLYTIC CAPACITORS ARE ?F/VOLTS	DL1	ALLEN & HEATH	
B	NEXT & PAUSE CHT CHG	AAT	10-08-98		DRAWING TITLE		
1	PRODUCTION	DRP	2-10-98		CIRCUIT DIAGRAM		
2	ESD MODS	DWD	6-4-99		MIDI PCB		
					FOR AG3280		
DRAWING No. C3280						ISSUE 2	A3

2 OZ COPPER



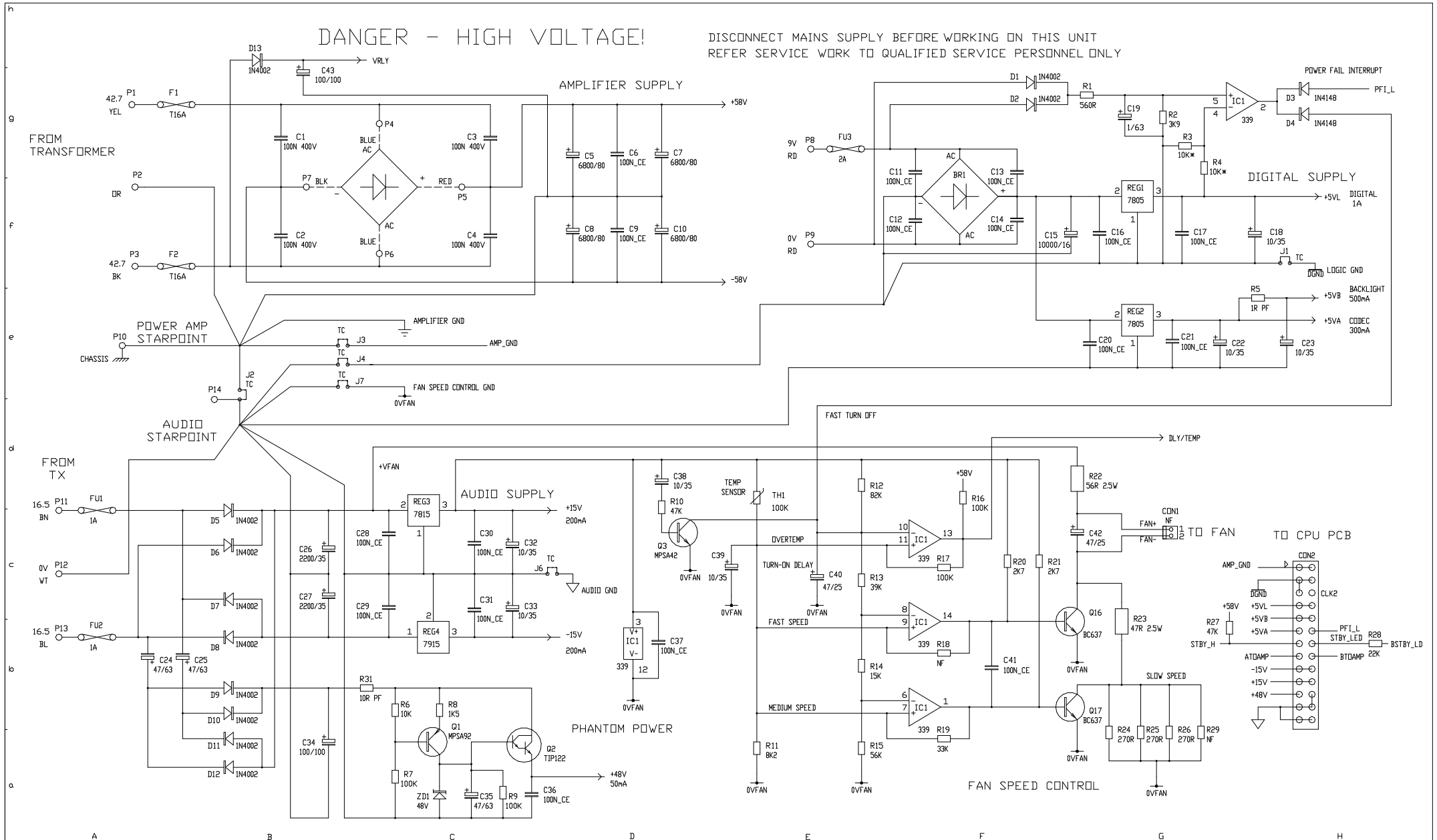
A&H DP1 POWER AMP

AGW97  
I W W N

WARNING: HT  
+/- 60V  
HIGH ENERGY  
STORAGE

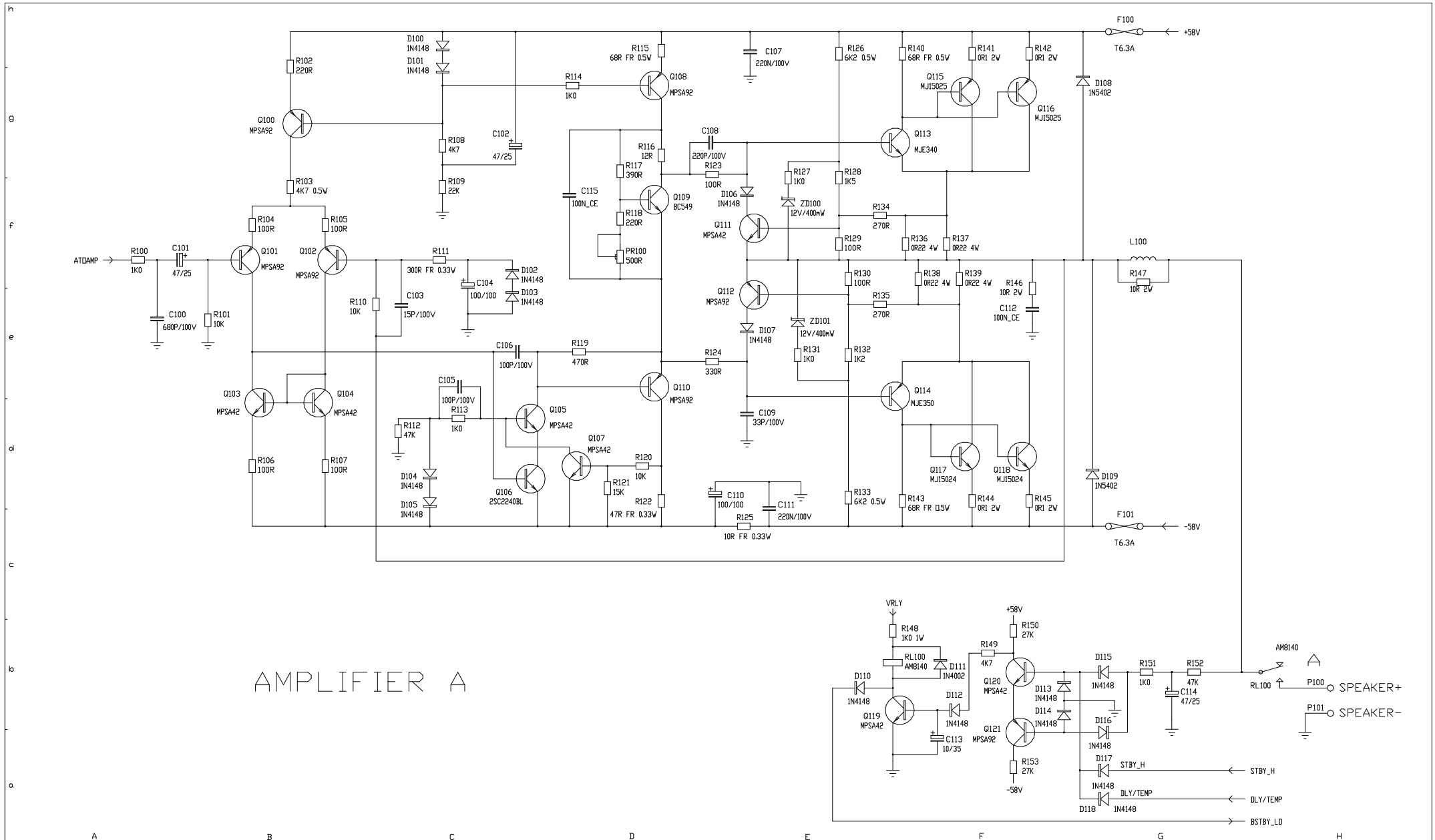
**DANGER - HIGH VOLTAGE!**

DISCONNECT MAINS SUPPLY BEFORE WORKING ON THIS UNIT  
REFER SERVICE WORK TO QUALIFIED SERVICE PERSONNEL ONLY



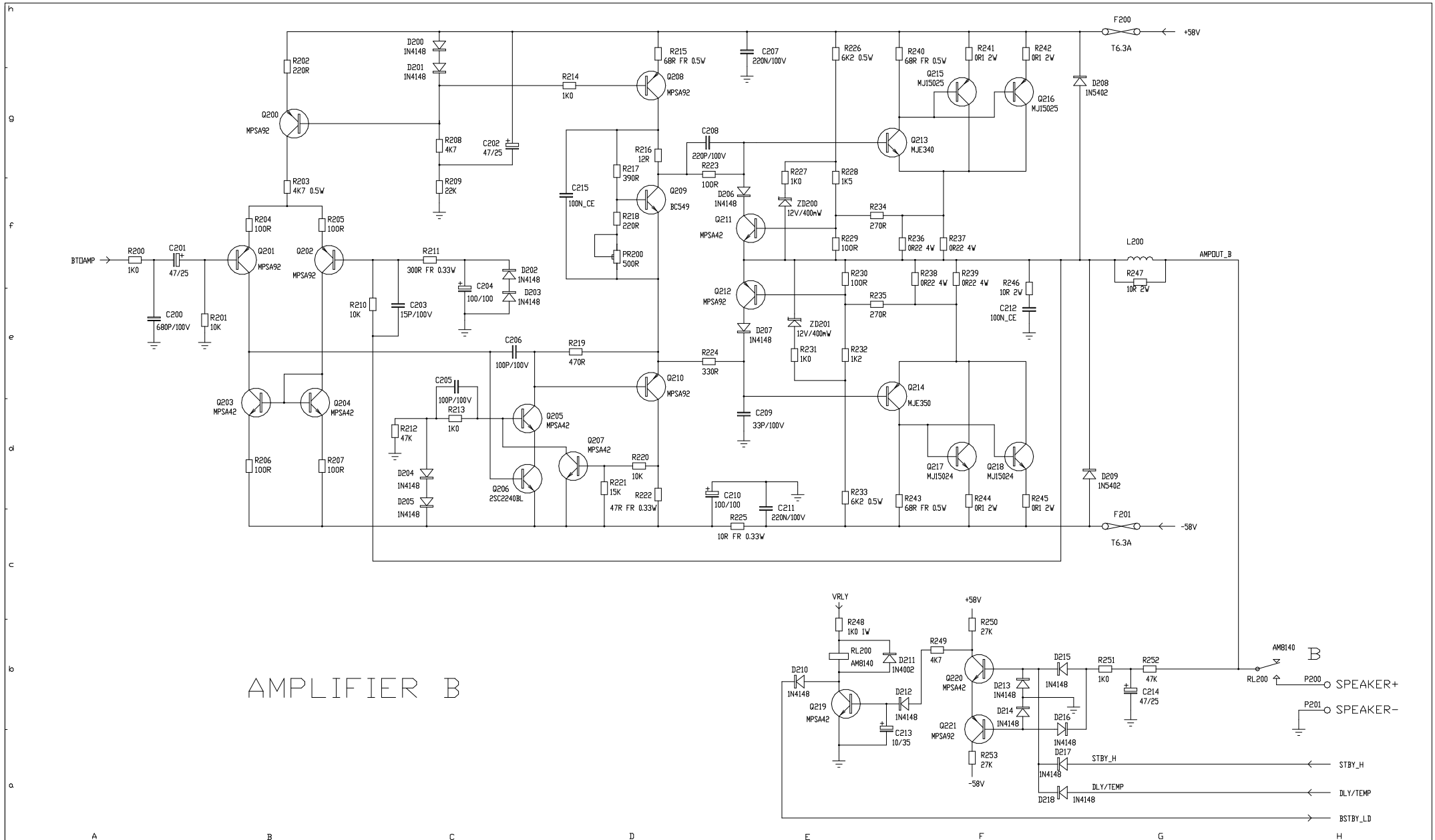
ISS.	REVISION	BY	DATE	NOTES	UNIT TITLE	MANUFACTURED IN ENGLAND BY
A	ORIGIN	DLP	28/5/98	1. RESISTORS MARKED * ARE 1% ALL OTHERS ARE 5% 1/4W UNLESS OTHERWISE MARKED	DL1	ALLEN & HEATH
B	UPDATES	DLP	19/8/98	2. ELECTROLYTIC CAPACITORS ARE 7% VOLTS	PAGE 1 OF 3	
1	PRODUCTION	DRP	11-9-98		DRAWING TITLE	
2	R29 ADDED	DLP	13/11/98		AMPLIFIER/PSU	DRAWING No. C3297
					AG3297	ISSUE 2

A2



ISS.	REVISION	BY DATE	NOTES	UNIT TITLE	PAGE OF 3	MANUFACTURED IN ENGLAND BY
A	ORIGIN	DLP 28/5/98	1. RESISTORS MARKED * ARE 1% ALL OTHERS ARE 5% 1/4W UNLESS OTHERWISE MARKED	DL1		ALLEN & HEATH
B	UPDATES	DLP 19/8/98		AMPLIFIER/PSU		
1	PRODUCTION	DRP 11-9-98	2. ELECTROLYTIC CAPACITORS ARE 7% VOLTAGE	AG3297		
2	R29 ADDED	DLP13/11/98				DRAWING No. C3297 ISSUE 2

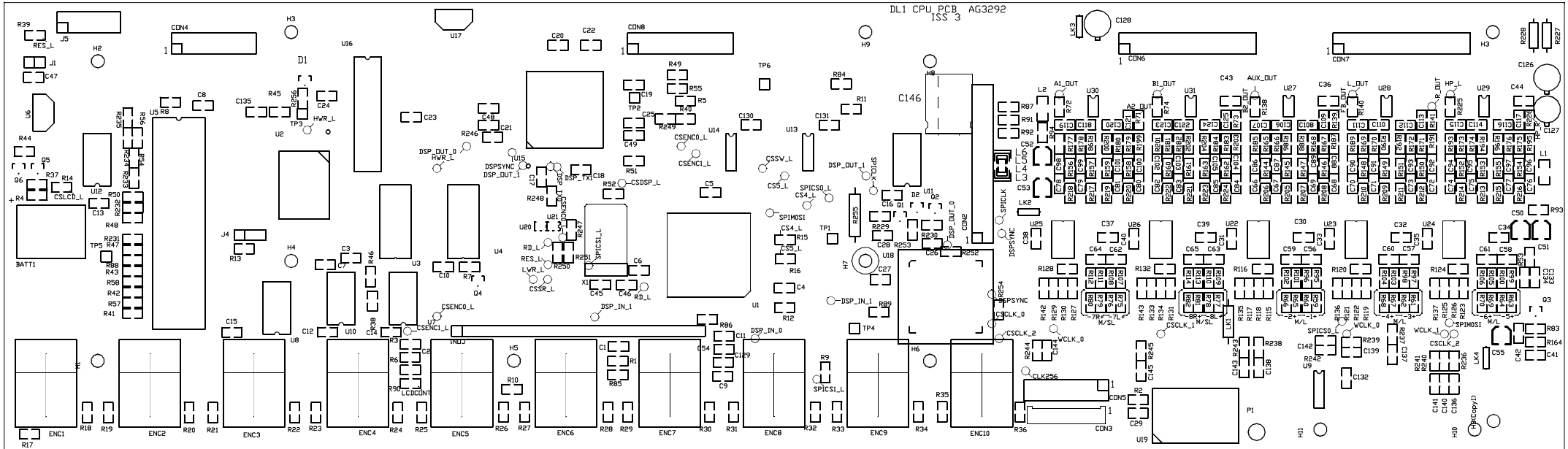




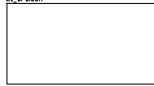
ISS.	REVISION	BY DATE	NOTES	UNIT TITLE	PAGE OF 3	MANUFACTURED IN ENGLAND BY
A	ORIGIN	DLP 28/5/98	1. RESISTORS MARKED * ARE 1% ALL OTHERS ARE 5% 1/4W UNLESS OTHERWISE MARKED	DL1		ALLEN & HEATH
B	UPDATES	DLP 19/8/98	2. ELECTROLYTIC CAPACITORS ARE 7% VOLTAGE	AMPLIFIER/PSU		
1	PRODUCTION	DRP 11-9-98		AG3297		
2	R29 ADDED	DLP13/11/98				DRAWING No. C3297 ISSUE 2

A2

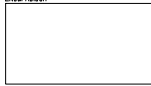
DL1 CPU PCB AG3292  
1SS\_3



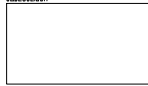
CPU  
L1 CPU SCH



ENCODERS & FIBERS  
ENC/FIB SCH



CODECS  
CODECS SCH



DSP MEMORY  
DSP SCH



CODECS  
CODECS SCH



CONNECTORS  
CONNS SCH

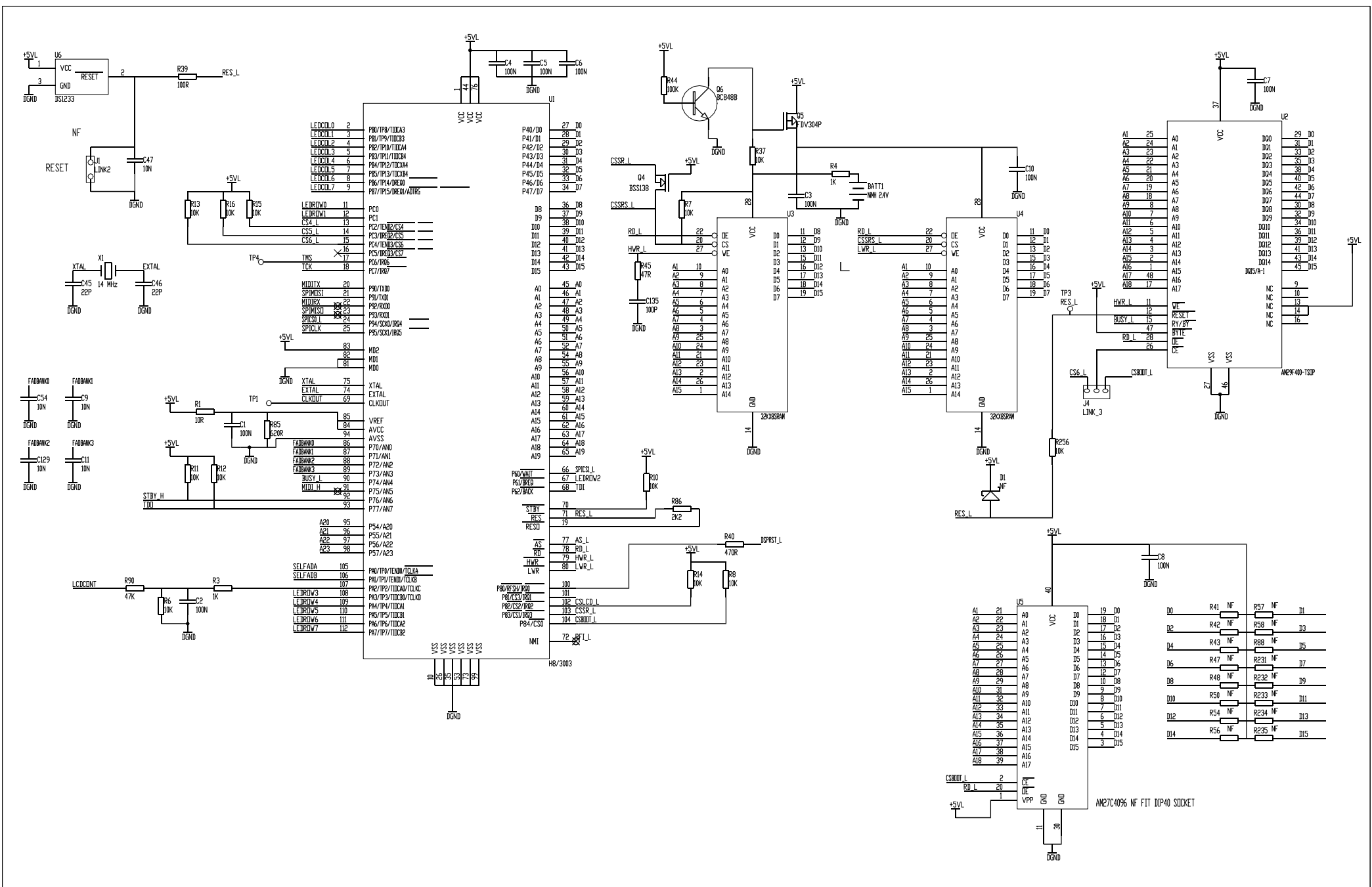


ISSUE	BY	DATE
ISS A	SCOTT	13 JULY 98
ISS B	AAT	22-07-98
ISS 1	AAT	28-09-98
ISS 2	AAT	30-11-98
ISS 3	AAT	23-06-99

FILE:	E:\DXF\Bob\allcpu\ag3292_3.ddb - Documents\2L_all.prj
100241	29-Sep-2000
DISK:	

TITLE:	DL1 CPU PCB
PAGE:	TOP LEVEL
NO:	AG3292
ISSUE:	ISS 3
SHEET	1 OF 7
A3	

Allen & Heath  
 Kennick Industrial Estate,  
 Penryn, Cornwall,  
 England.  
 TR10 9LU  
 Tel: (44) (0) 1326 372070  
 Fax: (44) (0) 1326 365736



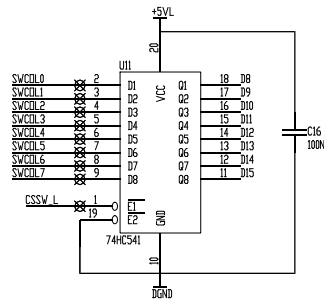
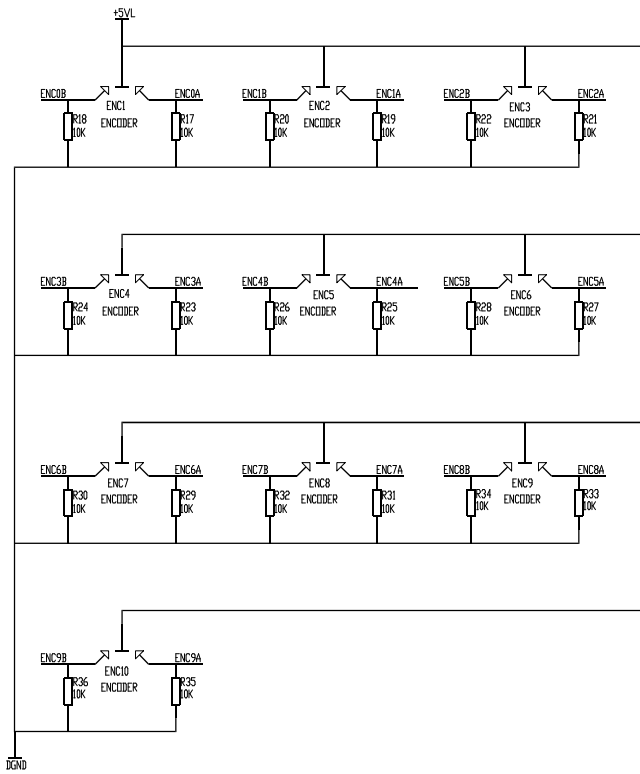
ISSUE	BY	DATE
ISS A	SCOTT	13 JULY 98
ISS B	AAT	22-07-98
ISS 1	AAT	28-09-98
ISS 2	AAT	30-11-98
ISS 3	AAT	23-06-99

FILE: E:\DXF\Bob\allcpu\ag3292\_3.ddb - Documents\ALL\_CPUSCH

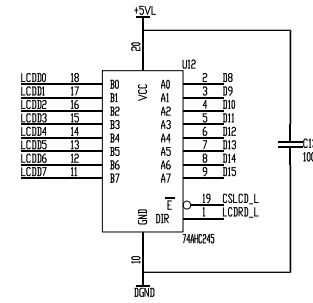
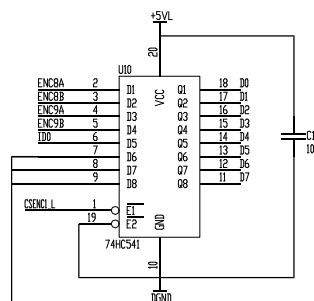
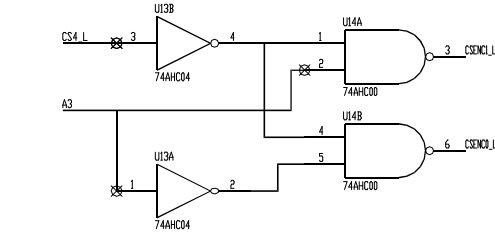
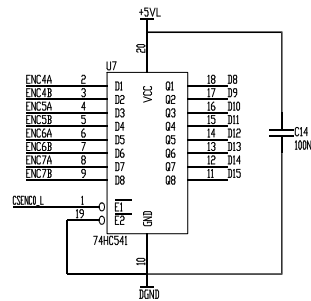
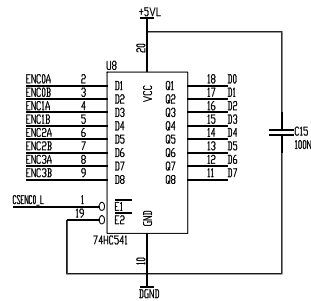
TITLE: DL1 CPU PCB  
PAGE: CPU & MEMORY

Allen & Heath  
Kernick Industrial Estate,  
Penryn, Cornwall,  
England,  
TR10 9LU  
Tel: (44) (0) 1326 372070  
Fax: (44) (0) 1326 365736

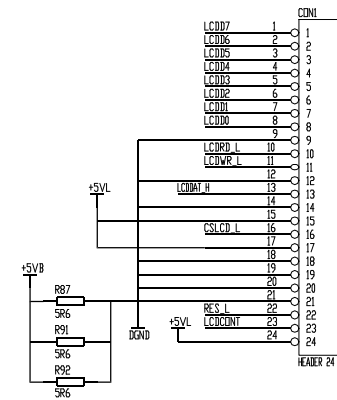
ROTARY ENCODER BUFFERS



SWITCH MATRIX BUFFER



LCD INTERFACE

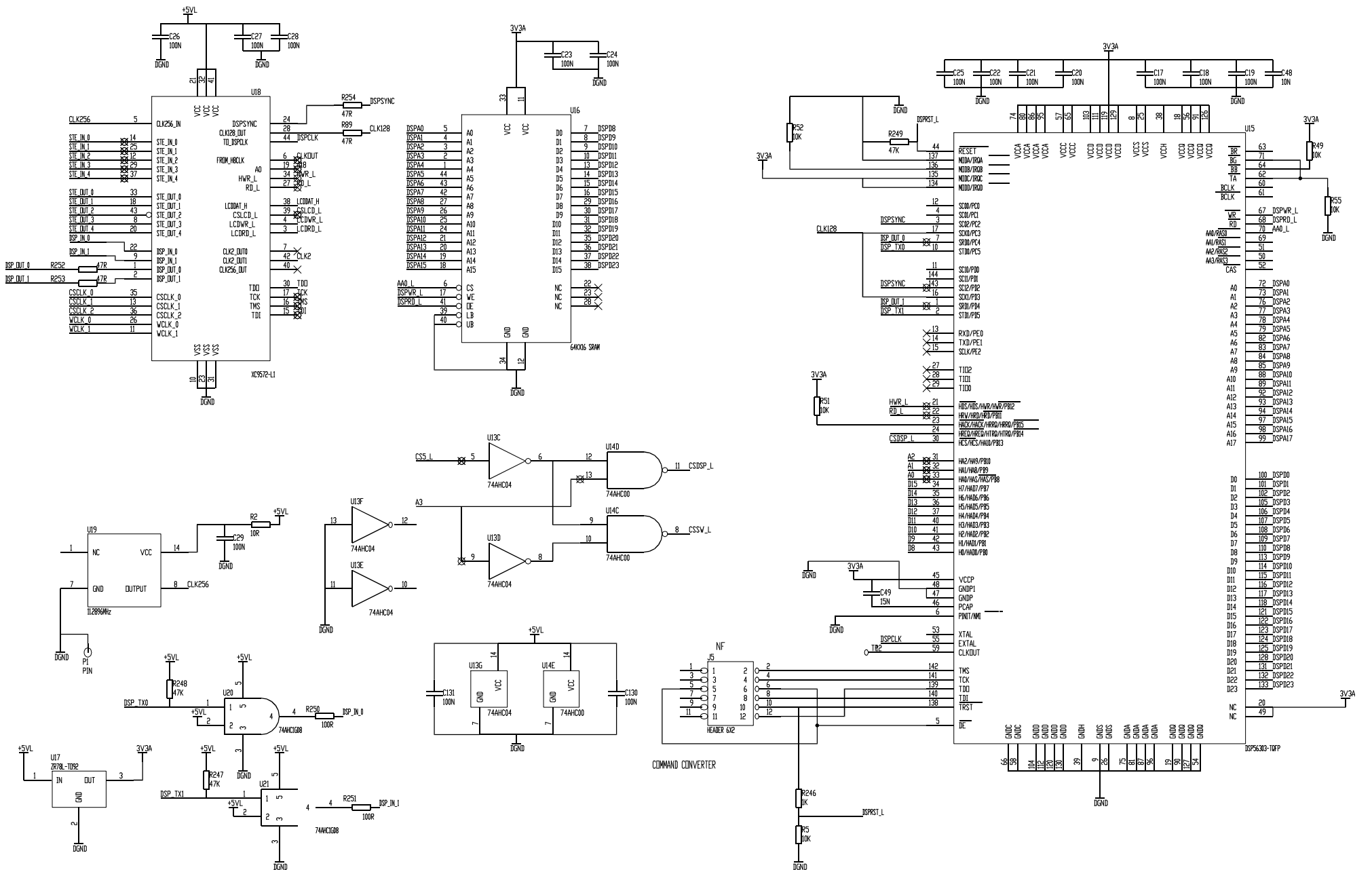


ISSUE	BY	DATE
ISS A	SCOTT	13 JULY 98
ISS B	AAT	22-07-98
ISS 1	AAT	28-09-98
ISS 2	AAT	30-11-98
ISS 3	AAT	23-10-99

FILE: E:\DXF\Bob\allcpu\ag3292\_3ddb - Documents\ENCFAD.SCH  
 100411 29-Sep-2000 DISK

TITLE: DL1 CPU PCB  
 PAGE: ENCODERS & LCD INTERFACE  
 ISSUE: ISS 3 SHEET 3 OF 7 A3

Allen & Heath  
 Kennick Industrial Estate,  
 Penryn, Cornwall,  
 England.  
 TR10 9LU  
 Tel: (44) (0) 1326 372070  
 Fax: (44) (0) 1326 365736



ISSUE	BY	DATE
ISS A	ASDIT	13 JULY 98
ISS B	AAT	22-07-98
ISS 1	AAT	28-09-98
ISS 2	AAT	30-11-98
ISS 3	AAT	23-06-99

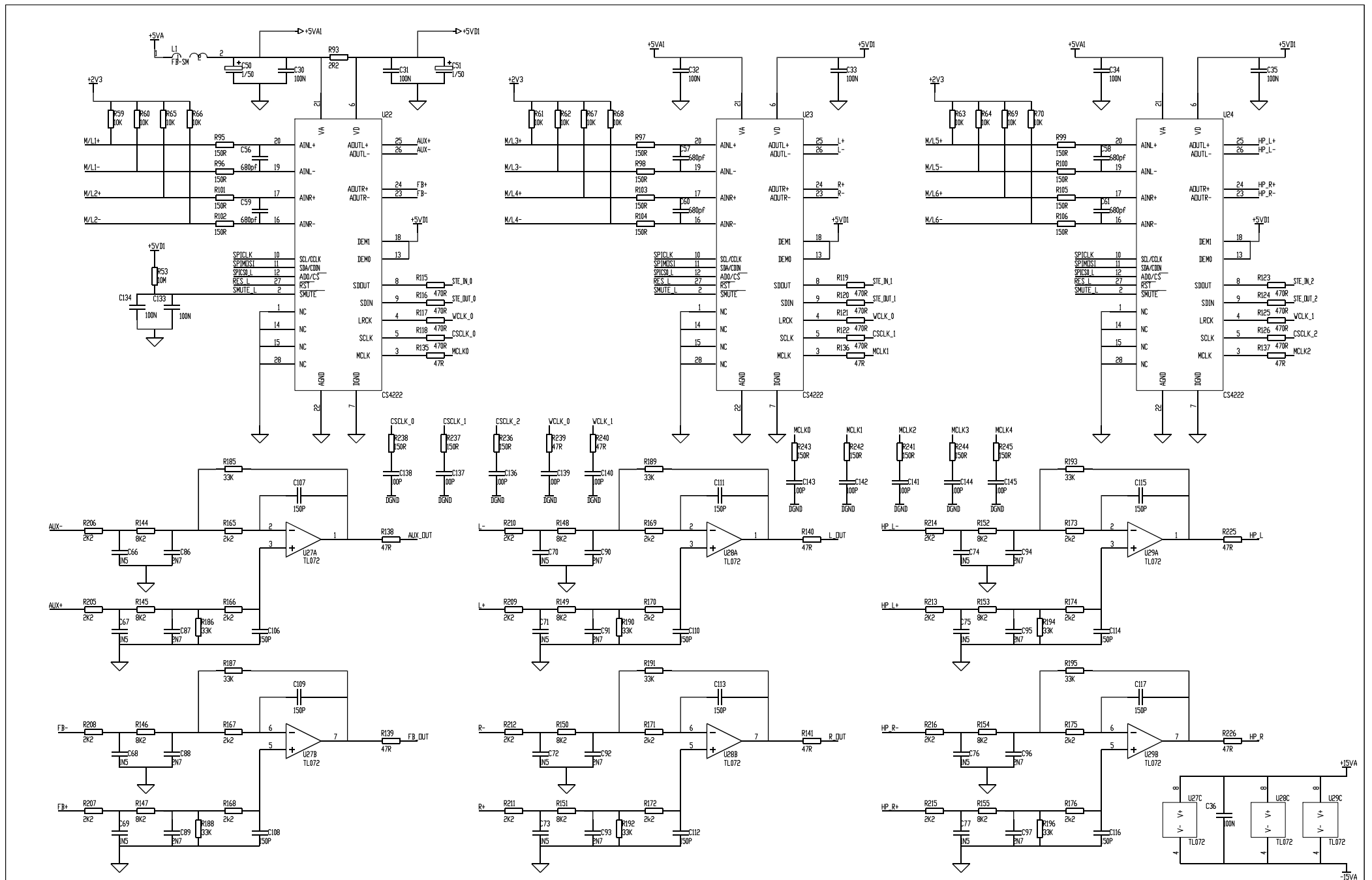
FILE: E:\DXF\Bob\allcpu\ag3292\_3.ddb - Documents\DSP.SCH

10:37:47 29-Sep-2000 DISK: ND: AG3292 ISSUE: ISS 3 SHEET 4 OF 7 A3

TITLE: DL1 CPU PCB

PAGE: DSP, MEMORY & XLINX

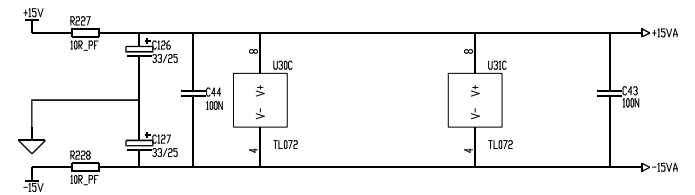
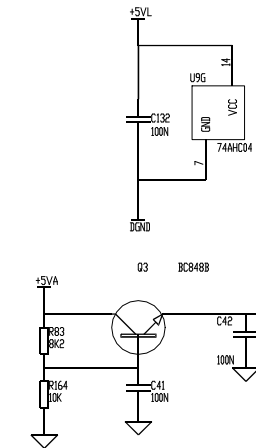
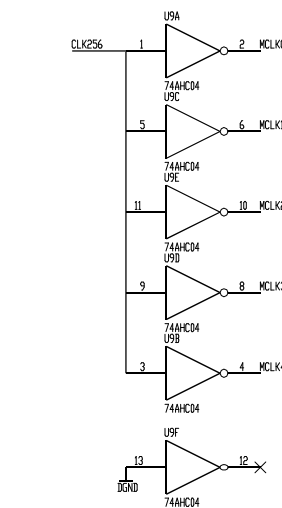
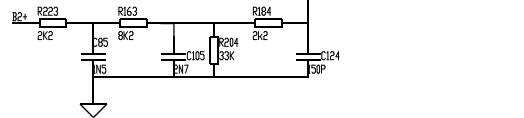
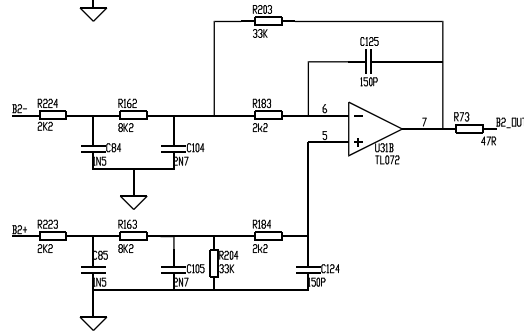
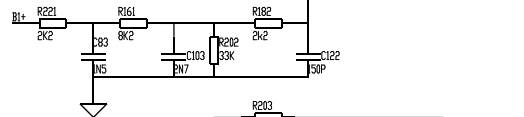
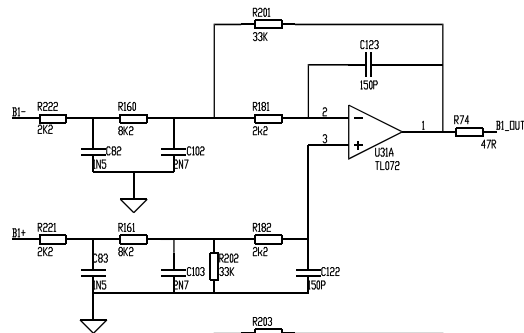
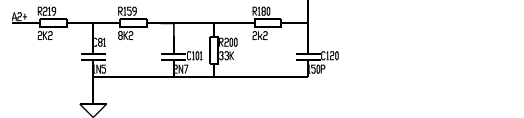
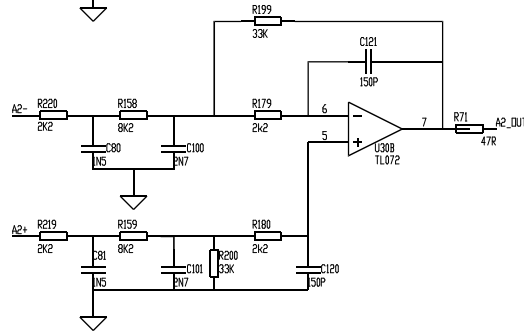
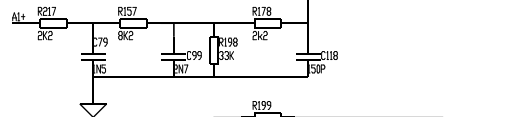
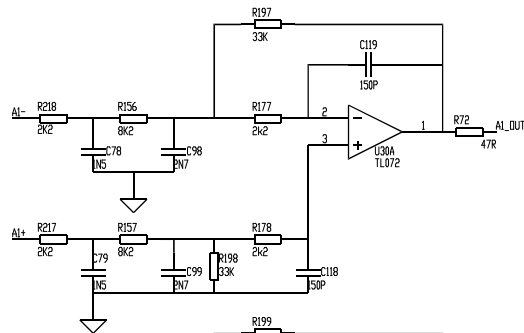
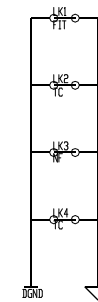
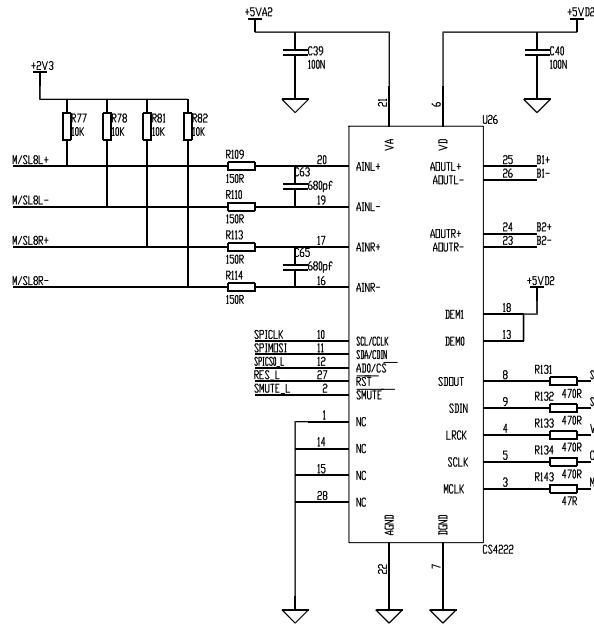
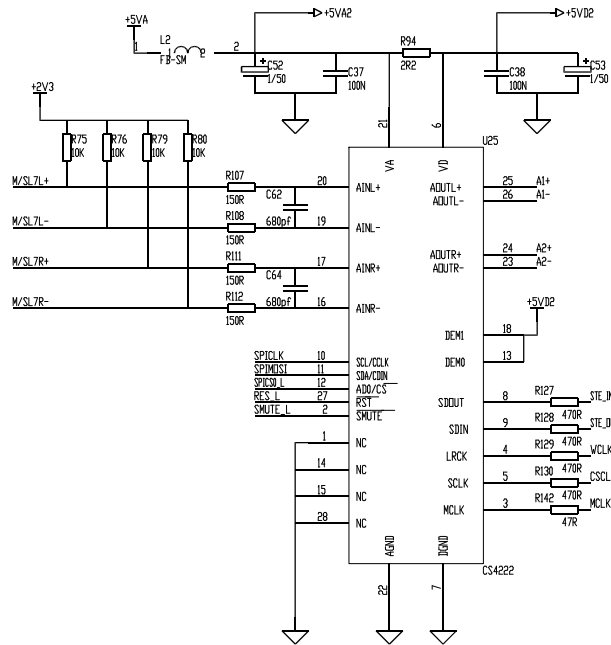
Allen & Heath  
 Kennick Industrial Estate,  
 Penryn, Cornwall,  
 England.  
 TR10 9LU  
 Tel: (44) (0) 1326 372070  
 Fax: (44) (0) 1326 365736



ISSUE	BY	DATE
ISS A	ASDIT	13 JULY 98
ISS B	AAT	22-07-98
ISS 1	AAT	28-09-98
ISS 2	AAT	30-11-98
ISS 3	AAT	23-06-99

FILE: E:\DXF\Bob\allcpu\ag3292_3.ddb - Documents\CDECS1.SCH		10.3823	29-Sep-2000	DISK:	NO: AG3292	ISSUE: ISS 3	SHEET 5 OF 7	A3
---	--	---------	-------------	-------	------------	--------------	--------------	----

TITLE: DL1 CPU PCB  
 PAGE: CDECS 1  
 Allen & Heath  
 Kennick Industrial Estate,  
 Penryn, Cornwall,  
 England.  
 TR10 9LU  
 Tel: (44) (0) 1326 372070  
 Fax: (44) (0) 1326 365736



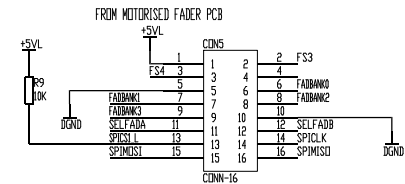
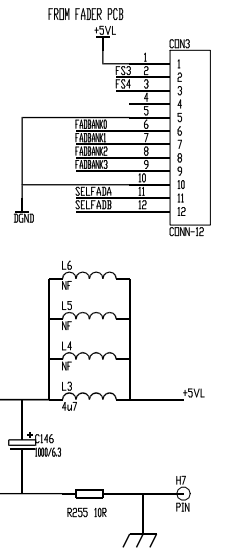
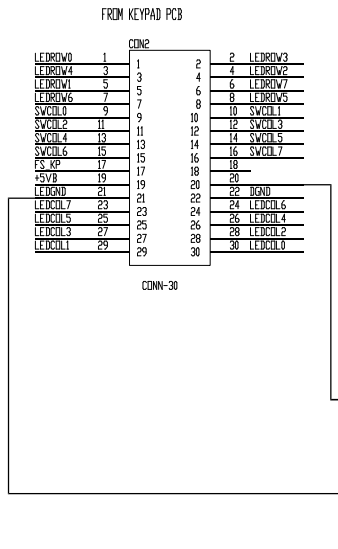
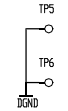
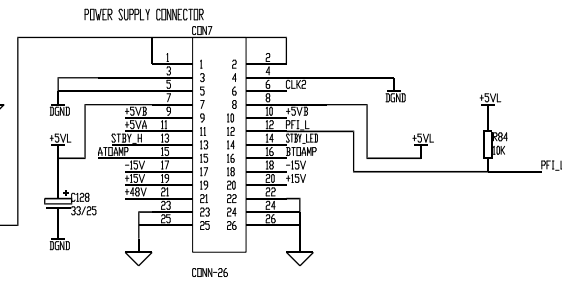
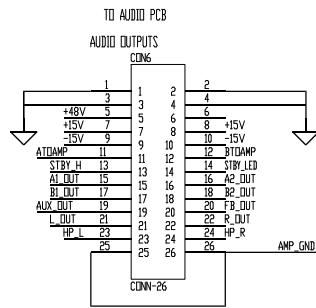
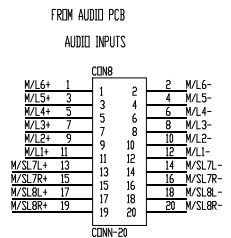
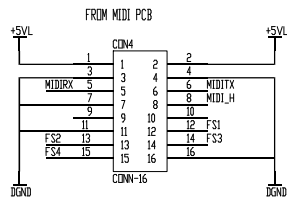
ISSUE	BY	DATE
ISS A	ASDIT	13 JULY 98
ISS B	AAT	22-07-98
ISS 1	AAT	28-09-98
ISS 2	AAT	30-11-98
ISS 3	AAT	23-10-99

FILE: E:\DXF\Bob\allcpu\ag3292\_3.ddb - Documents\CODICS2.SCH

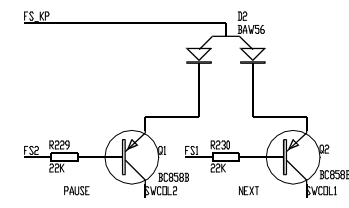
TITLE: DL1 CPU PCB  
PAGE: CODECS 2

Allen & Heath  
Kerrick Industrial Estate,  
Penryn, Cornwall,  
England.  
TR10 9LU  
Tel: (44) (0) 1326 372070  
Fax: (44) (0) 1326 365736





PAUSE AND NEXT FOOTSWITCHES



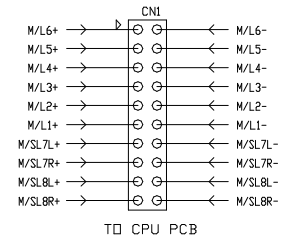
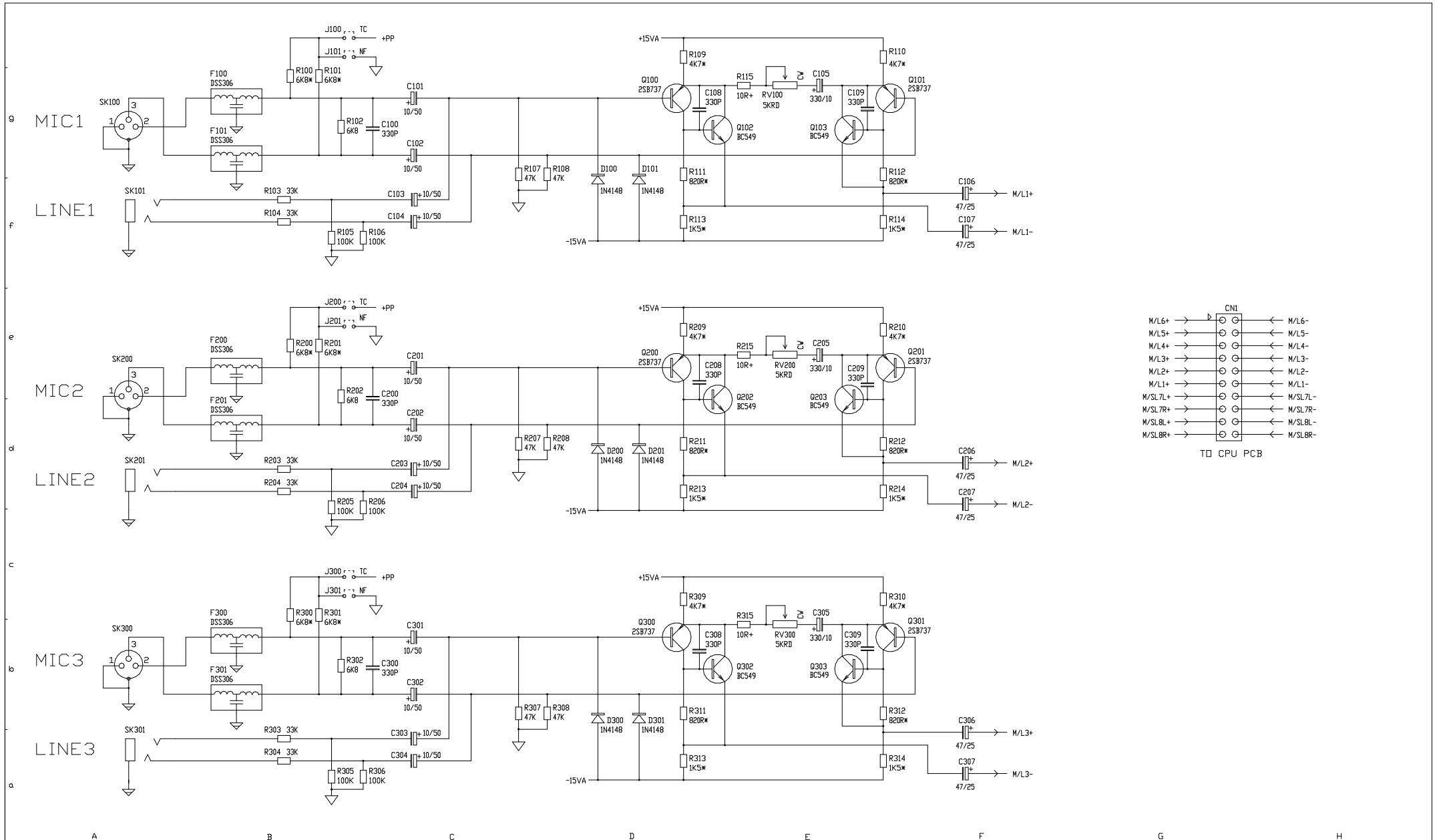
ISSUE	BY	DATE
ISS A	SCOTT	13 JULY 98
ISS B	AAT	22-07-98
ISS 1	AAT	28-09-98
ISS 2	AAT	30-11-98
ISS 3	AAT	23-06-99

FILE: E:\DXF\Bob\allcpu\ag3292\_3.ddb - Documents\CONNSSCH

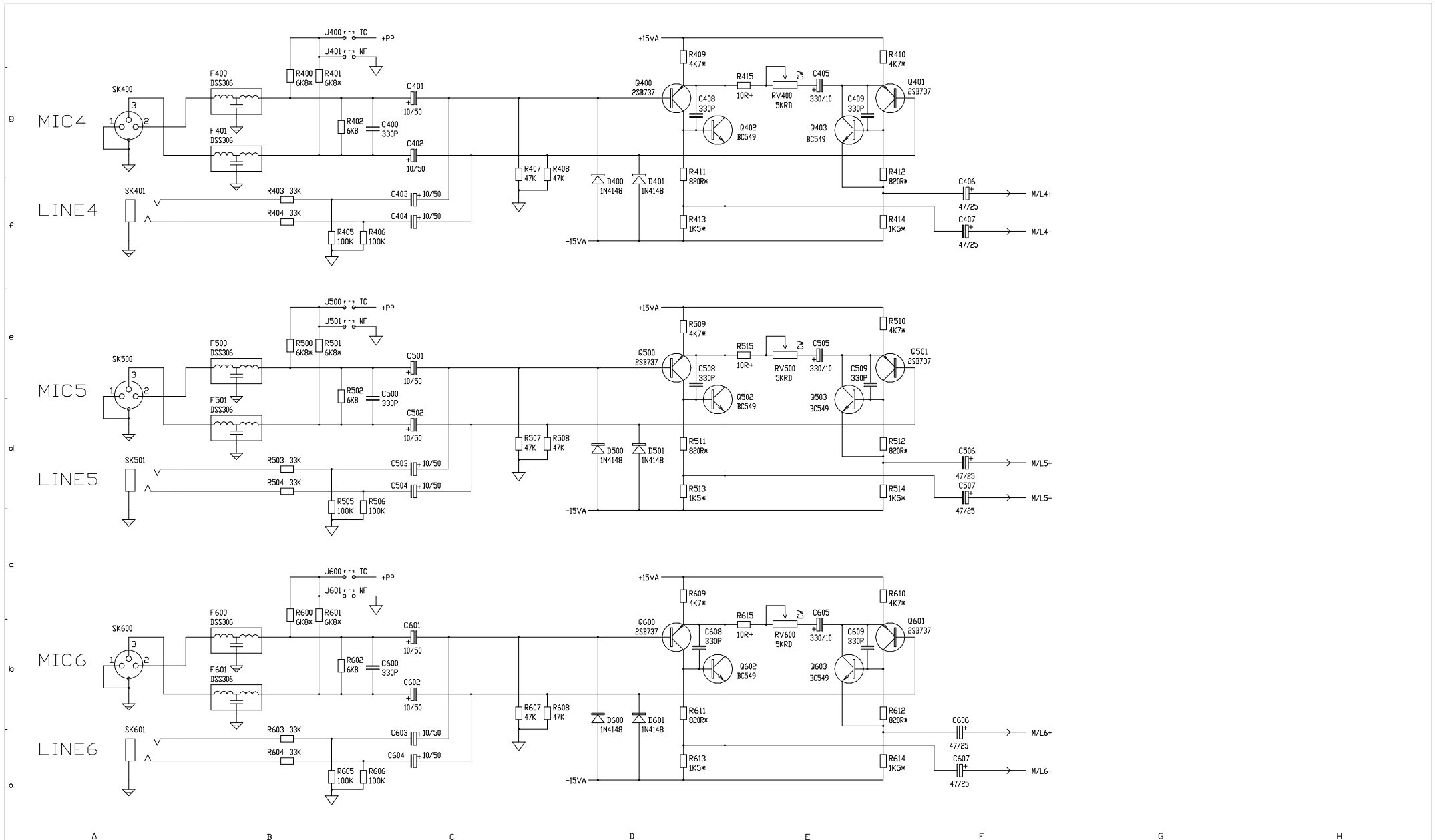
TITLE: DLI CPU PCB  
PAGE: CONNECTORS

Allen & Heath  
Kernick Industrial Estate,  
Penryn, Cornwall,  
England,  
TR10 9LU  
Tel: (44) (0) 1326 372070  
Fax: (44) (0) 1326 365736

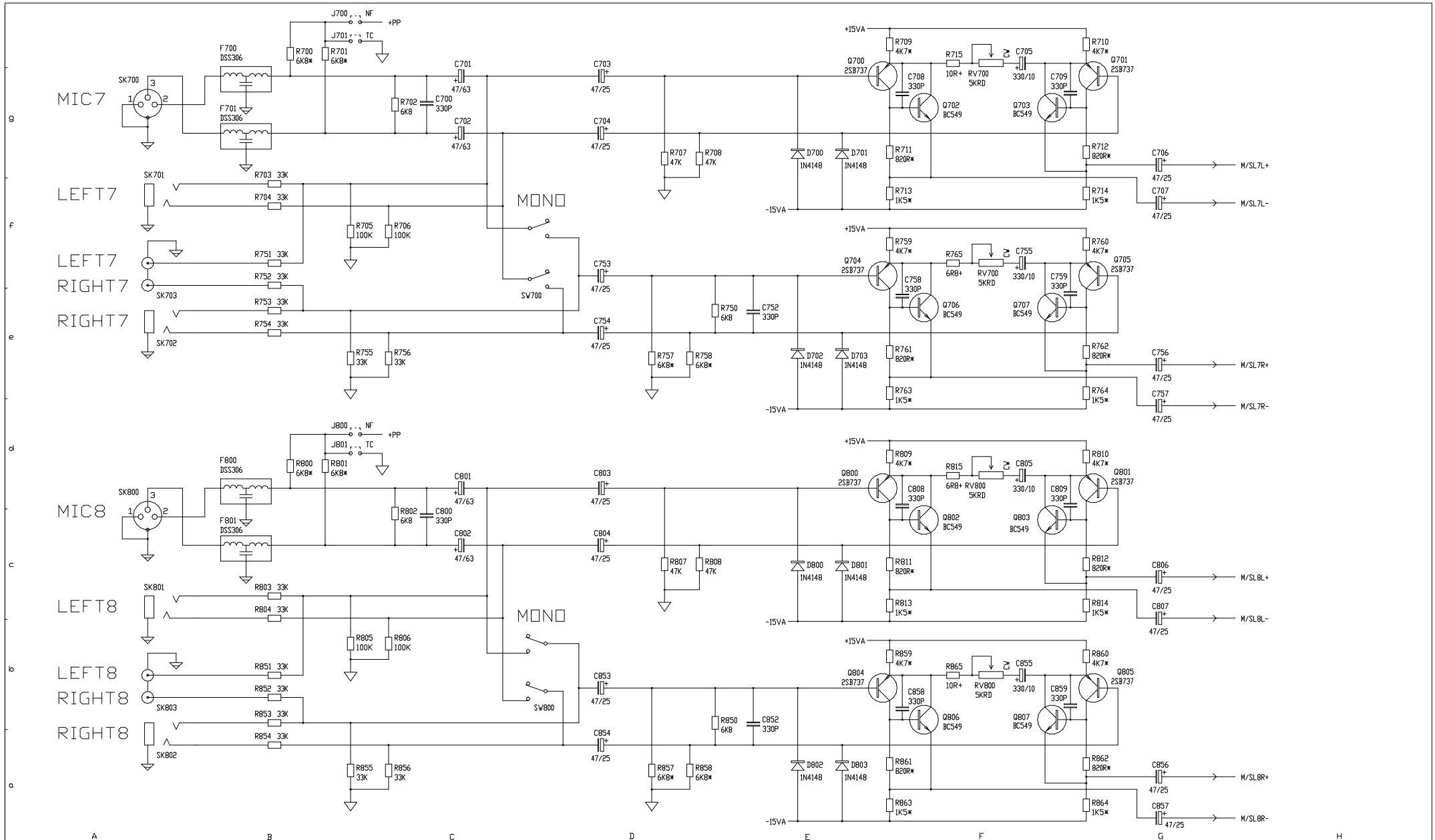




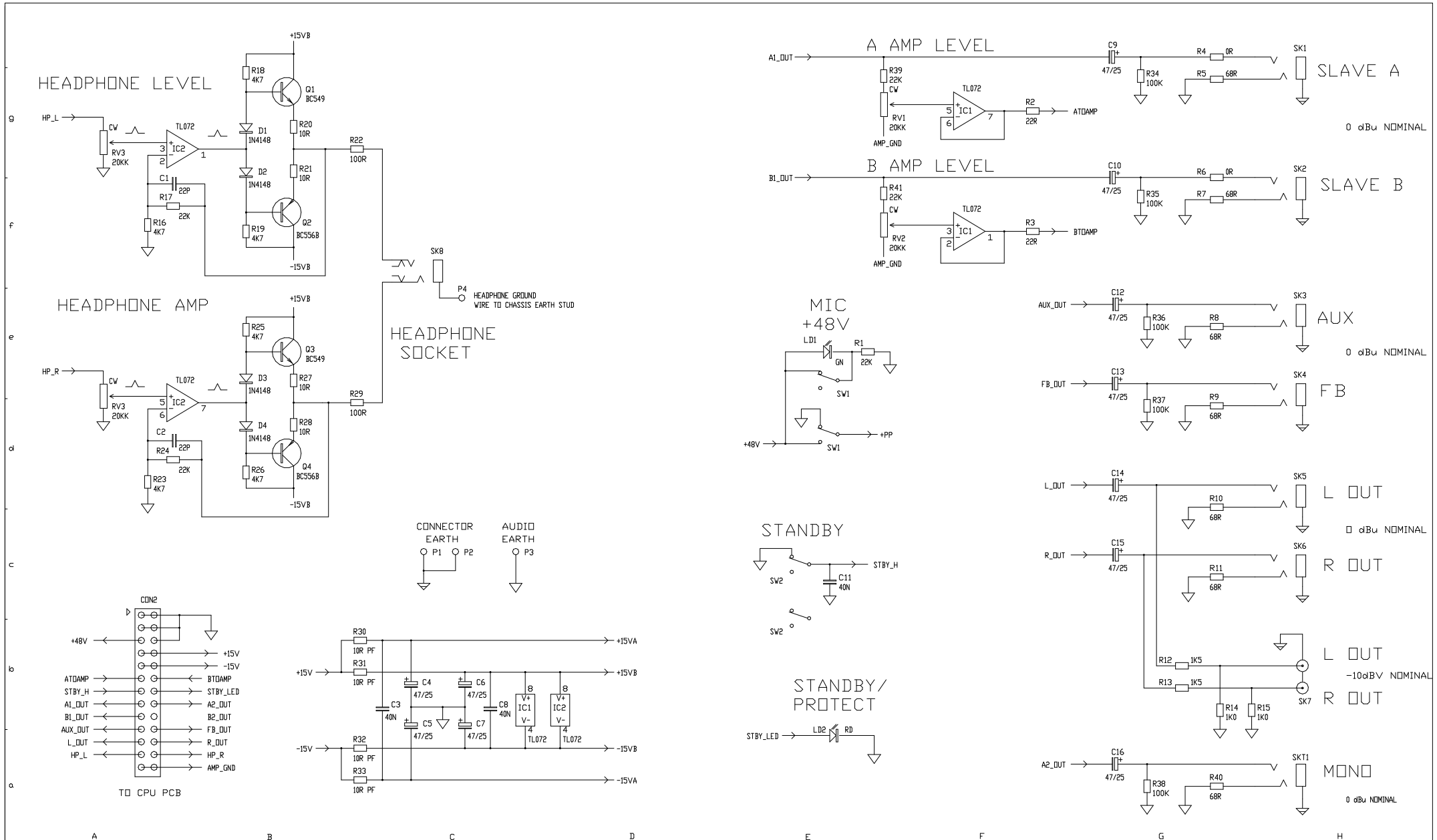
ISS.	REVISION	BY	DATE	NOTES	UNIT TITLE	SHEET	OF	MANUFACTURED IN ENGLAND BY
A	ORIGIN	DLP	18/3/98	1. RESISTORS MARKED * ARE 1% ALL OTHERS ARE SX 1/4W UNLESS OTHERWISE MARKED	DL1		4	ALLEN & HEATH
B	UPDATES	DLP	11/8/98					
1	PRODUCTION	DLP	11/9/98					
2	SIGNAL NAME CHANGE	DRP	13-10-98	2. ELECTROLYTIC CAPACITORS ARE 16V/VOLTS	DRAWING TITLE			
3	R39 & R40 VALUE CHANGE	SDW	20-01-99	3. RESISTORS MARKED + ARE 1/8W	AUDIO PCB			
								DRAWING No C3293
								ISSUE 3
								A2



ISS.	REVISION	BY	DATE	NOTES	UNIT TITLE	SHEET	OF	MANUFACTURED IN ENGLAND BY	
A	ORIGIN	DLP	18/3/98	1. RESISTORS MARKED * ARE 1% ALL OTHERS ARE SX 1/4W UNLESS OTHERWISE MARKED	DL1		4	ALLEN & HEATH	
B	UPDATES	DLP	11/8/98						
1	PRODUCTION	DLP	11/9/98						
2	SIGNAL NAME CHANGE	DRP	13-10-98	2. ELECTROLYTIC CAPACITORS ARE 16V/VOLTS	DRAWING TITLE				
3	R39 & R40 VALUE CHANGE	SDW	20-01-99	3. RESISTORS MARKED + ARE 1/8W	AUDIO PCB				
								DRAWING No	ISSUE
								C3293	3
									A2



ISS.	REVISION	BY	DATE	NOTES	UNIT TITLE	SHEET OF	MANUFACTURED IN ENGLAND BY	
A	ORIGIN	DLP	18/3/98	1. RESISTORS MARKED * ARE 1% ALL OTHERS ARE SZ 1/4W UNLESS OTHERWISE MARKED	DL1	4	ALLEN & HEATH	
B	UPDATES	DLP	11/8/98					
1	PRODUCTION	DLP	11/9/98					
2	SIGNAL NAME CHANGE	DRP	13-10-98	2. ELECTROLYTIC CAPACITORS ARE 1%VOLTS	DRAWING TITLE			
3	R39 & R40 VALUE CHANGE	SDWD	20-01-99	3. RESISTORS MARKED + ARE 1/8W	AUDIO PCB			
							DRAWING No	C3293
							ISSUE	3
								A2

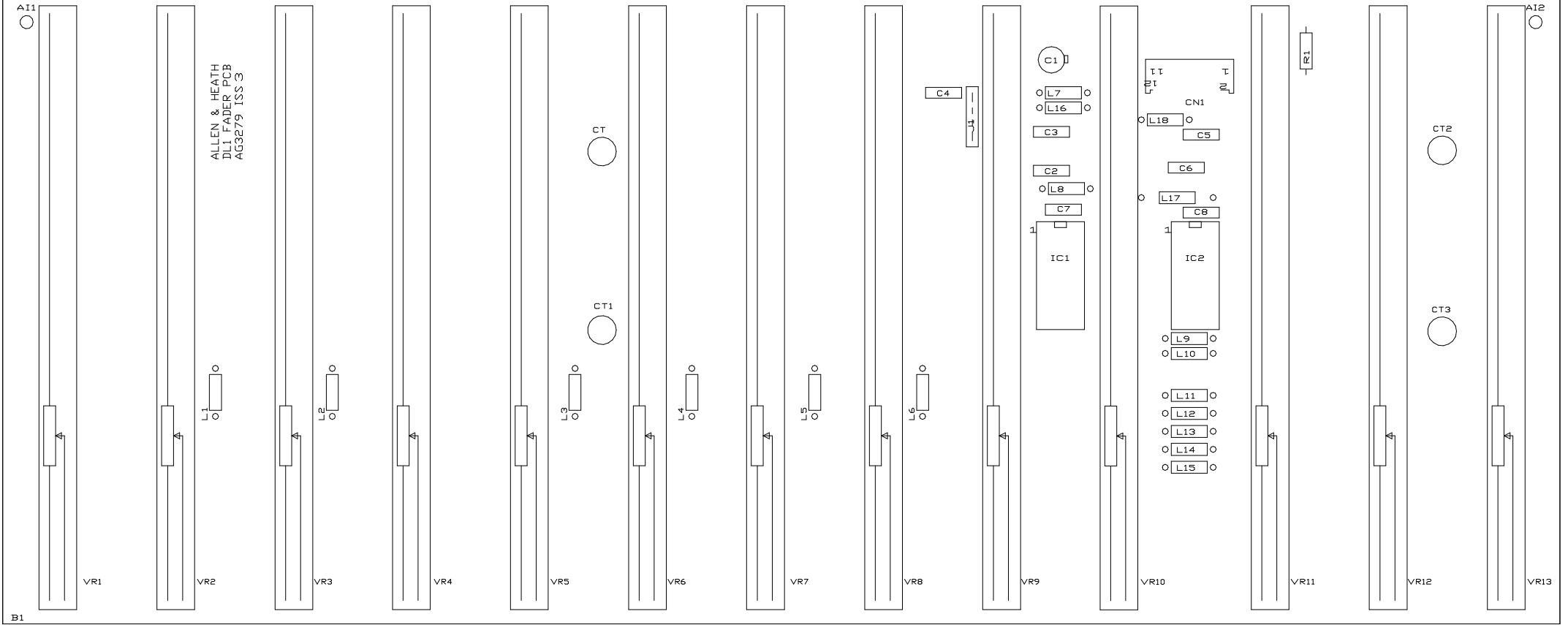


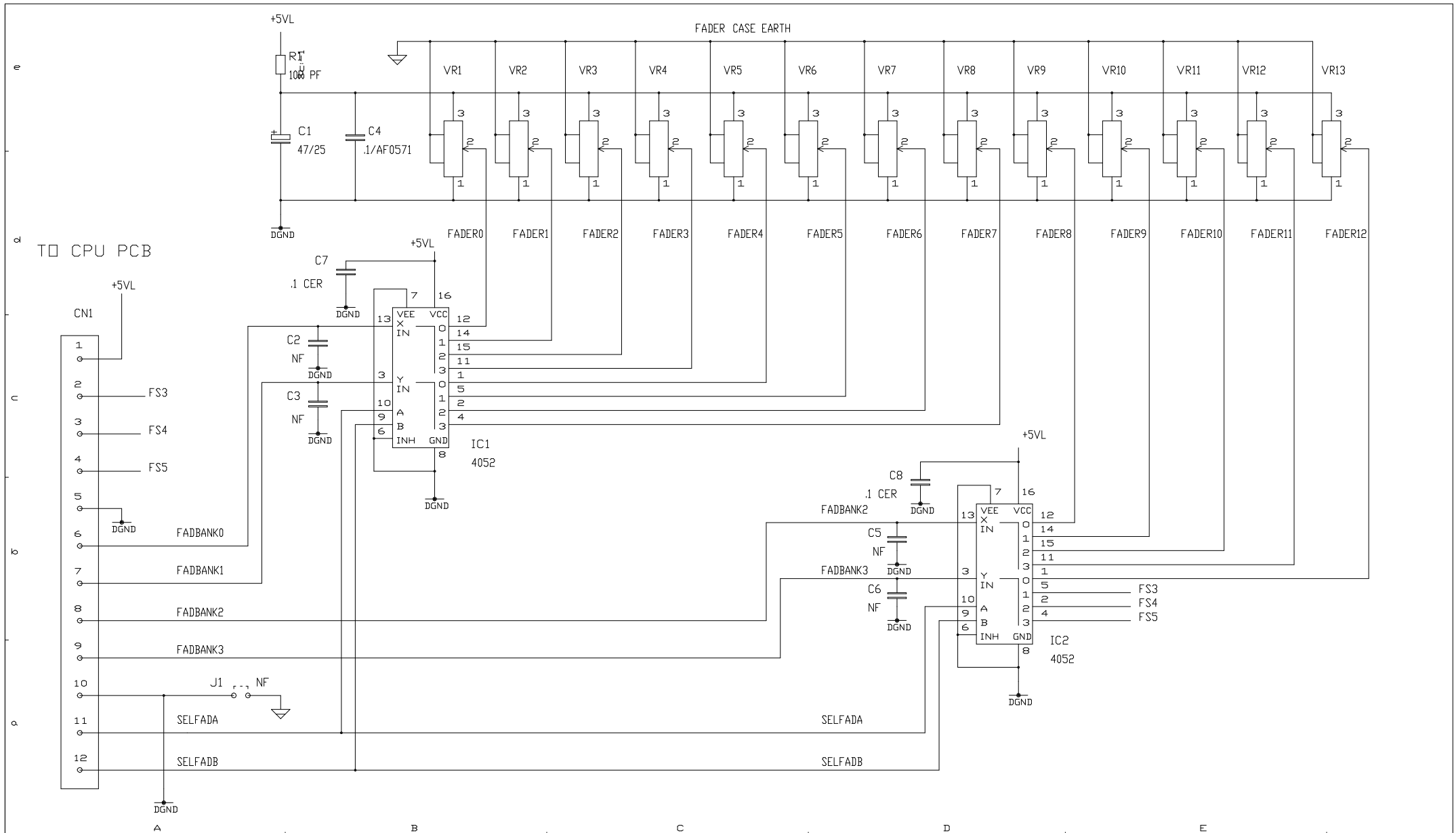
ISS.	REVISION	BY	DATE
A	ORIGIN	DLP	18/3/98
B	UPDATES	DLP	11/8/98
1	PRODUCTION	DLP	11/9/98
2	SIGNAL NAME CHANGE	DRP	13-10-98
3	R39 & R40 VALUE CHANGE	SDWD	20-01-99

NOTES
1. RESISTORS MARKED * ARE 1% ALL OTHERS ARE SX 1/4W UNLESS OTHERWISE MARKED
2. ELECTROLYTIC CAPACITORS ARE 16V/VOLTS
3. RESISTORS MARKED + ARE 1/8W

UNIT TITLE	DL1	SHEET 4 OF 4
DRAWING TITLE	AUDIO PCB	

MANUFACTURED IN ENGLAND BY		
ALLEN & HEATH		
DRAWING No	C3293	ISSUE 3
		A2

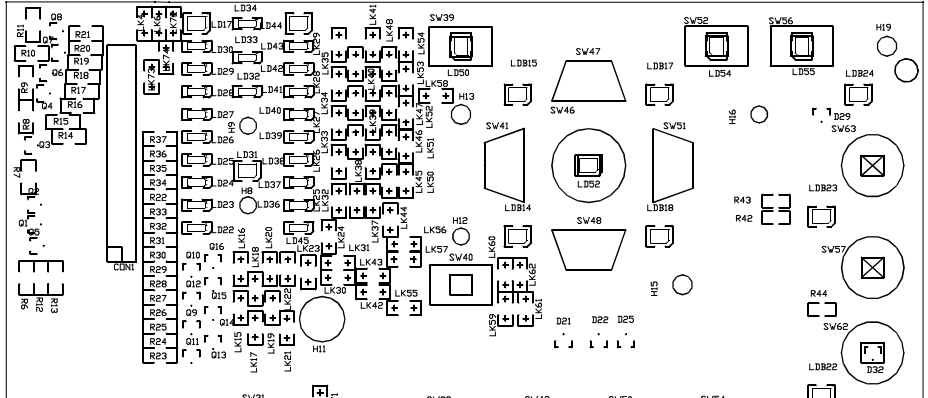
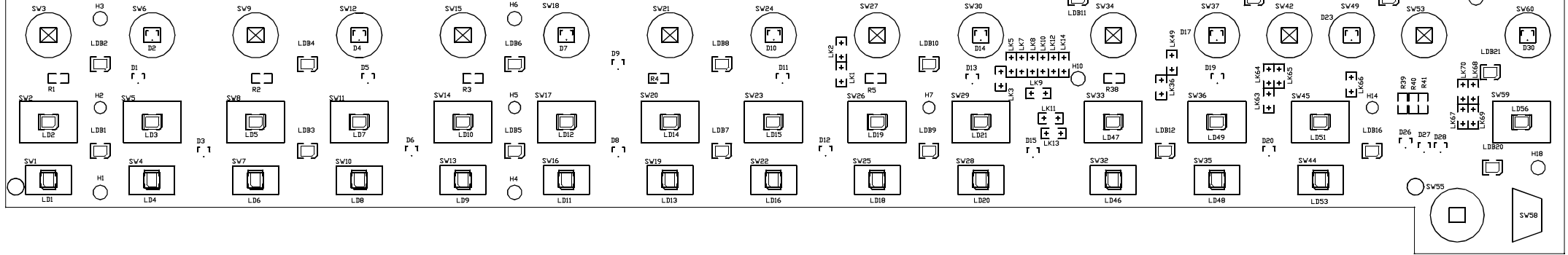




ISS.	REVISION	BY	DATE	NOTES	UNIT TITLE	ALLEN & HEATH	
A	ORIGIN	DRP	30-1-98	1. RESISTORS MARKED * ARE 1% ALL OTHERS ARE 5% 1/4W UNLESS OTHERWISE MARKED 2. ELECTROLYTIC CAPACITORS ARE 27V/VOLTS	DL1	KERNICK INDUSTRIAL ESTATE	
B	EARTH/SIGNAL NAME CHANGES	DRP	27-3-98		DRAWING TITLE	PENRYN	
1	PRODUCTION	DRP	17-8-98		CIRCUIT DIAGRAM	CORNWALL	
					FADER PCB	ENGLAND TR10 9LU	
					AG3279	ALLEN & HEATH A DIVISION OF HARMAN INTERNATIONAL INDUSTRIES LIMITED	
						DRAWING No.	C3279
						ISSUE	1
							A3



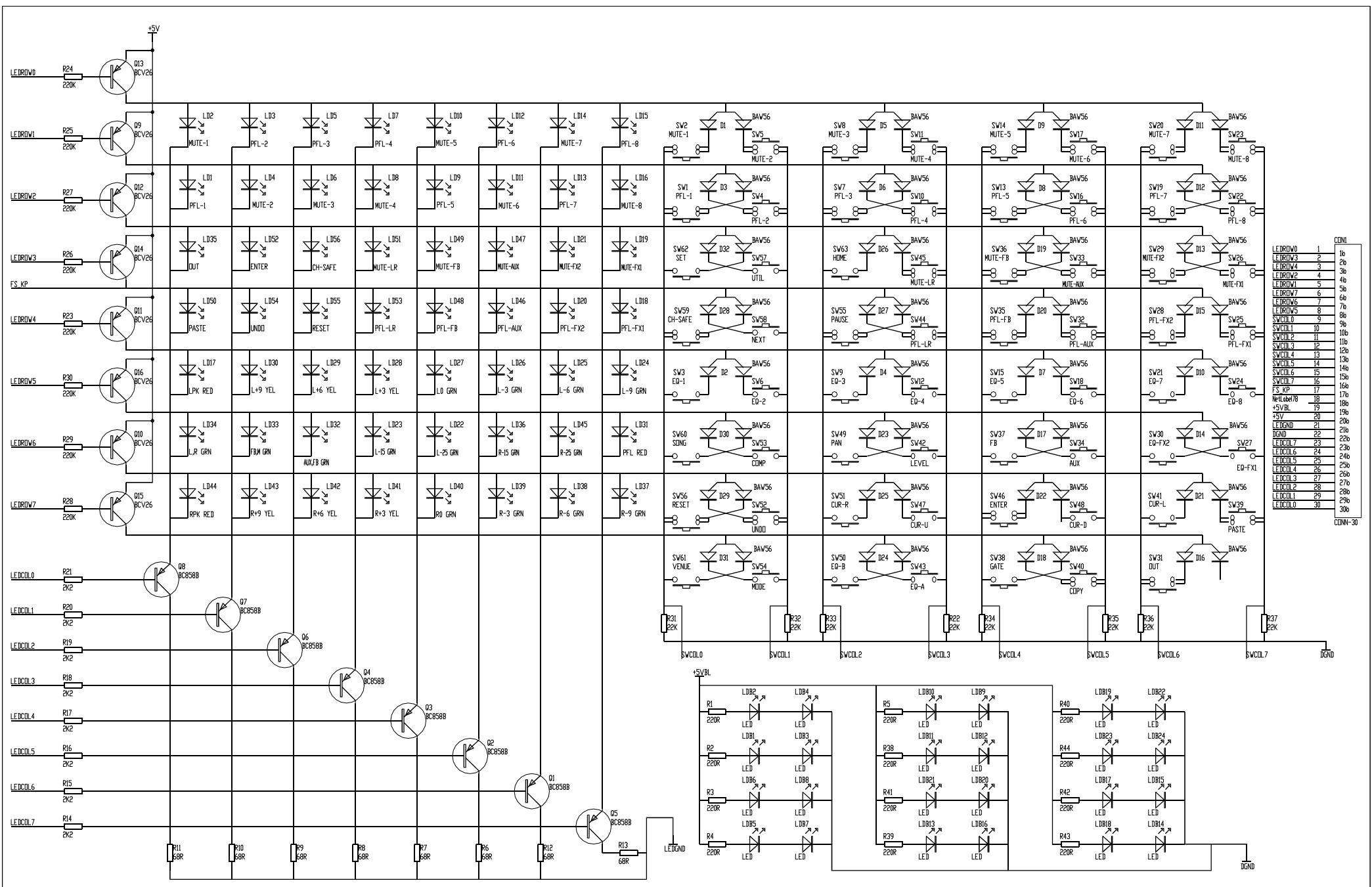
A&H AG3278 DL1 KEYPAD ISS 2



DL1 BACKLIT KEYPAD  
LKEYS\_2301



ISSUE	BY	DATE					TITLE:	DL1 KEYPAD PCB				
A											Allen & Heath Kennick Industrial Estate, Penryn, Cornwall, England. TR10 9LU Tel: (44) (0) 1326 372070 Fax: (44) (0) 1326 365736	
B	A.A.T.	8 JUNE 1997										
C	M.SCDTT	7 JULY 1998					PAGE:	TOP LEVEL				
1	A.A.T.	16 SEPT 1998										
2	A.A.T.	30 NOV 1998										
FILE: E:\DXF\Bob\dlkeypad\dlkeys.dib - Documents\Llkeys_2.prj			105808	29-Sep-2000	DISK:	NO:	AG3278	ISSUE:	ISS 2	SHEET	1 OF 2	A3



Component	Value	Conn
LEDROW0	1	1b
LEDROW1	2	2b
LEDROW2	3	3b
LEDROW3	4	4b
LEDROW4	5	5b
LEDROW5	6	6b
LEDROW6	7	7b
LEDROW7	8	8b
LEDROW8	9	9b
LEDROW9	10	10b
LEDROW10	11	11b
LEDROW11	12	12b
LEDROW12	13	13b
LEDROW13	14	14b
LEDROW14	15	15b
LEDROW15	16	16b
LEDROW16	17	17b
LEDROW17	18	18b
LEDROW18	19	19b
LEDROW19	20	20b
LEDROW20	21	21b
LEDROW21	22	22b
LEDROW22	23	23b
LEDROW23	24	24b
LEDROW24	25	25b
LEDROW25	26	26b
LEDROW26	27	27b
LEDROW27	28	28b
LEDROW28	29	29b
LEDROW29	30	30b

ISSUE	BY	DATE
A		
B	A.A.T.	8 JUNE 1997
C	M. SCOTT	7 JULY 1998
1	A.A.T.	16 SEPT 1998
2	A.A.T.	30 NOV 1998

FILE: E:\DXF\Bob\allkeypad\dl1keys.dib - Documents\LIKEYS\_2SCH

105923 29-Sep-2000 DISK

TITLE: DL1 KEYPAD PCB

PAGE:

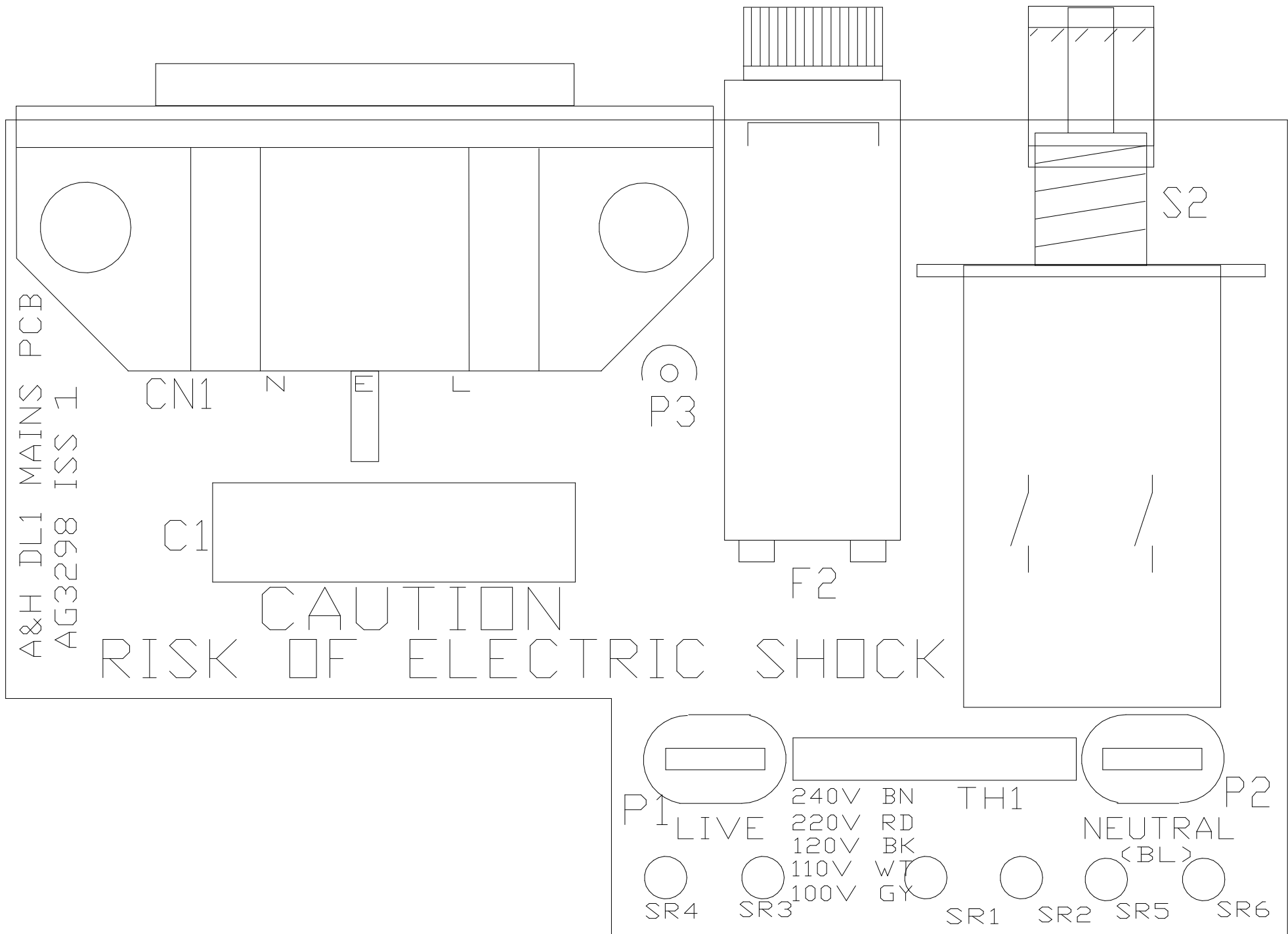
NO: AG 3278

ISSUE: ISS 2

SHEET 2 OF 2

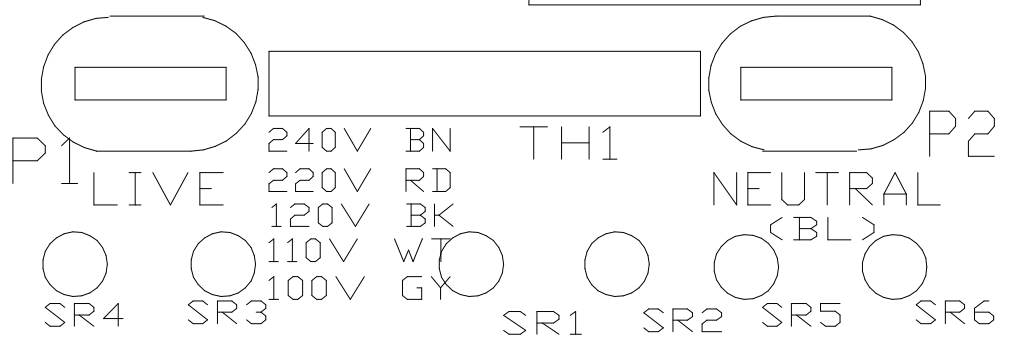
A3

Allen & Heath  
 Kennick Industrial Estate,  
 Penryn, Cornwall,  
 England.  
 TR10 9LU  
 Tel: (44) (0) 1326 372070  
 Fax: (44) (0) 1326 365736

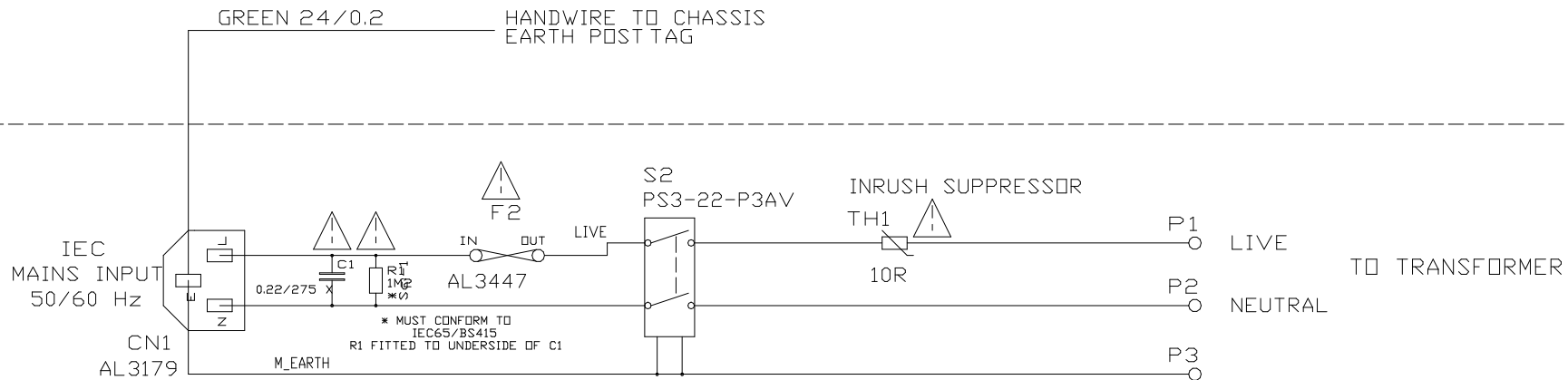


A&H DL1 MAINS PCB  
AG3298 ISS 1

CAUTION  
RISK OF ELECTRIC SHOCK



LIVE



F1 RATING ( 5 × 20 )

240V	T5A
220V	T5A
120V	T10A
110V	T10A
100V	T10A

TRANSFORMER WIRE COLOURS (AM3084)

LIVE

240V	BROWN
220V	RED
120V	BLACK
110V	WHITE
100V	GREY

NEUTRAL

0V BLUE

ISS.	REVISION	BY DATE	NOTES	UNIT TITLE	MANUFACTURED IN ENGLAND BY
A	ORIGIN	DRP 5-2-98	1. RESISTORS MARKED * ARE 1% ALL OTHERS ARE 5% 1/4W UNLESS OTHERWISE MARKED	DL1	ALLEN & HEATH
B	FUSE & SWITCH CHANGED	DRP 18-6-98		2. ELECTROLYTIC CAPACITORS ARE ?F/VOLTS	
1	PRODUCTION	AAT 11-08-98			DRAWING No. C3298
2	R1 ADDED	AAT 24-05-99			ISSUE 2
					A3